



US00D680065S

(12) **United States Design Patent**  
**Shibamura et al.**

(10) **Patent No.:** **US D680,065 S**  
(45) **Date of Patent:** **\*\* Apr. 16, 2013**

(54) **CONTROL BOX FOR CHARGER**

(75) Inventors: **Ichiro Shibamura**, Nara (JP); **Tatsuya Mukai**, Tsu (JP); **Noboru Inagaki**, Tsu (JP); **Naoki Fukuo**, Tsu (JP); **Takao Akioka**, Tsu (JP); **Hironobu Oe**, Tsu (JP); **Shinichi Nakamura**, Tsu (JP); **Yoji Minami**, Nagoya (JP); **Hironobu Kusafuka**, Miyoshi (JP); **Masaru Sasaki**, Toyota (JP)

(73) Assignees: **Toyota Jidosha Kabushiki Kaisha**, Aichi-Ken (JP); **Panasonic Corporation**, Osaka (JP)

(\*\*) Term: **14 Years**

(21) Appl. No.: **29/405,556**

(22) Filed: **Nov. 3, 2011**

(30) **Foreign Application Priority Data**

May 6, 2011 (JP) ..... 2011-010222

(51) **LOC (9) Cl.** ..... **13-02**

(52) **U.S. Cl.**  
USPC ..... **D13/107**

(58) **Field of Classification Search** ..... D13/103,  
D13/107-110, 118-119, 123, 158, 162, 162.1,  
D13/168, 171, 184, 199; 320/107-115; 361/87,  
361/622-623; 307/10.1, 96  
See application file for complete search history.

(56) **References Cited**

U.S. PATENT DOCUMENTS

5,372,522 A \* 12/1994 Hoefl ..... 439/535  
D556,678 S \* 12/2007 Weinstein et al. .... D13/103  
D575,288 S \* 8/2008 Chen ..... D14/432  
D577,335 S \* 9/2008 Riede ..... D13/108

D607,815 S \* 1/2010 Lui ..... D13/107  
D612,383 S \* 3/2010 Wen ..... D14/434  
D615,929 S \* 5/2010 Maurer et al. .... D13/137.4  
D617,267 S \* 6/2010 Li ..... D13/107  
D633,034 S \* 2/2011 Heine et al. .... D13/103  
D633,035 S \* 2/2011 Heine et al. .... D13/103  
D637,953 S \* 5/2011 Huang et al. .... D13/108  
2011/0148355 A1 \* 6/2011 Nakamura et al. .... 320/109  
2011/0204715 A1 \* 8/2011 Nakamura et al. .... 307/10.1  
2011/0204849 A1 \* 8/2011 Mukai et al. .... 320/111

OTHER PUBLICATIONS

Web catalog of "LEAF" of Nissan Motor Co., Ltd, published on Dec. 2010.

\* cited by examiner

*Primary Examiner* — Rosemary K. Tarcza

(74) *Attorney, Agent, or Firm* — Greenblum & Bernstein P.L.C.

(57) **CLAIM**

We claim the ornamental design for a control box for charger, as shown and described.

**DESCRIPTION**

FIG. 1 is a perspective view of front, bottom and right of a control box for charger, showing our new design;  
FIG. 2 is a front elevational view thereof;  
FIG. 3 is a rear elevational view thereof;  
FIG. 4 is a left side elevational view thereof;  
FIG. 5 is a right side elevational view thereof;  
FIG. 6 is a top plan view thereof;  
FIG. 7 is a bottom view thereof;  
FIG. 8 is a front elevational view thereof in a first state of use; and,  
FIG. 9 is a perspective view thereof in a second state of use. The broken lines are included for the purpose of illustration only and form no part of the claimed design.

**1 Claim, 6 Drawing Sheets**

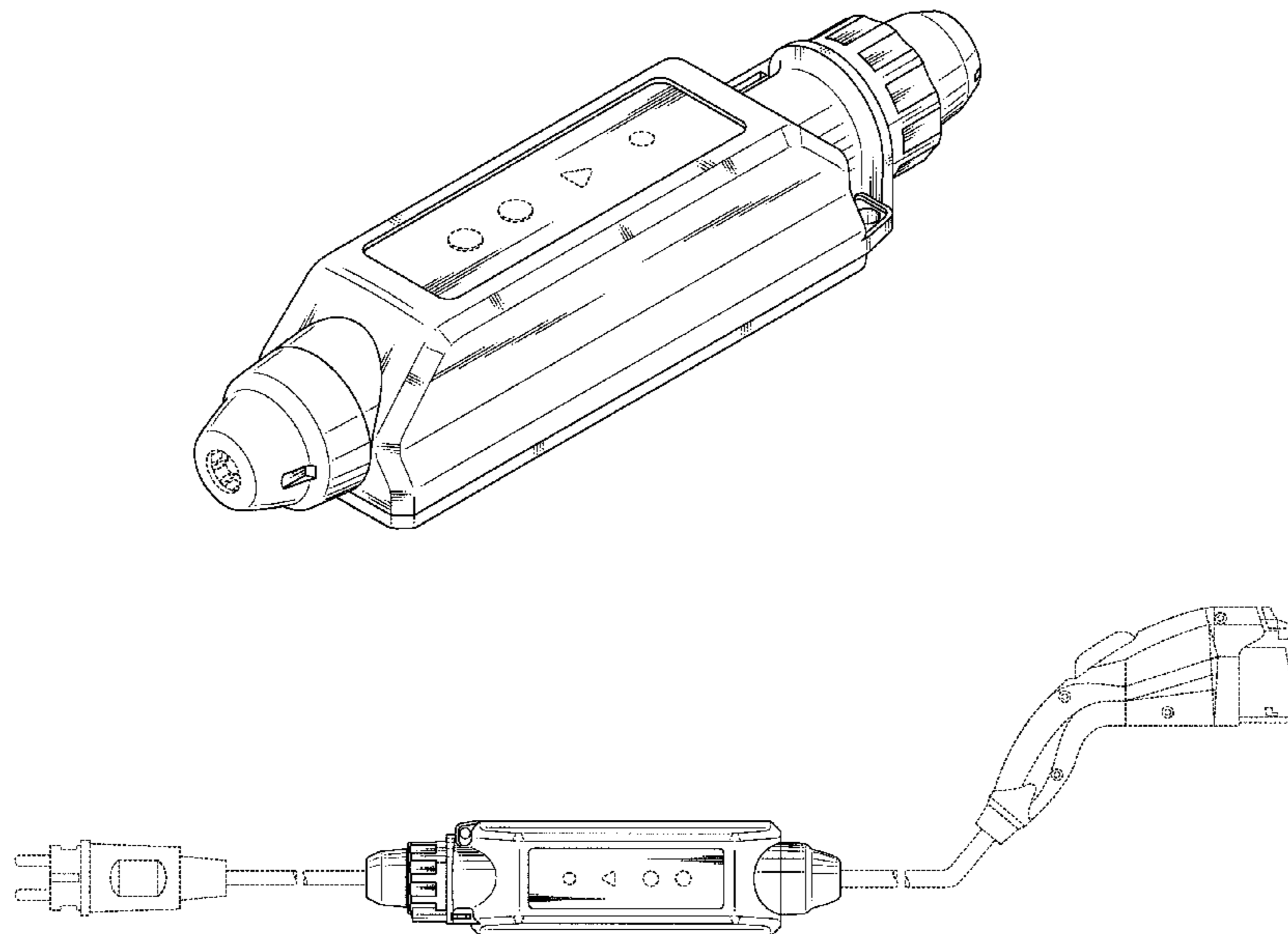


Fig. 1

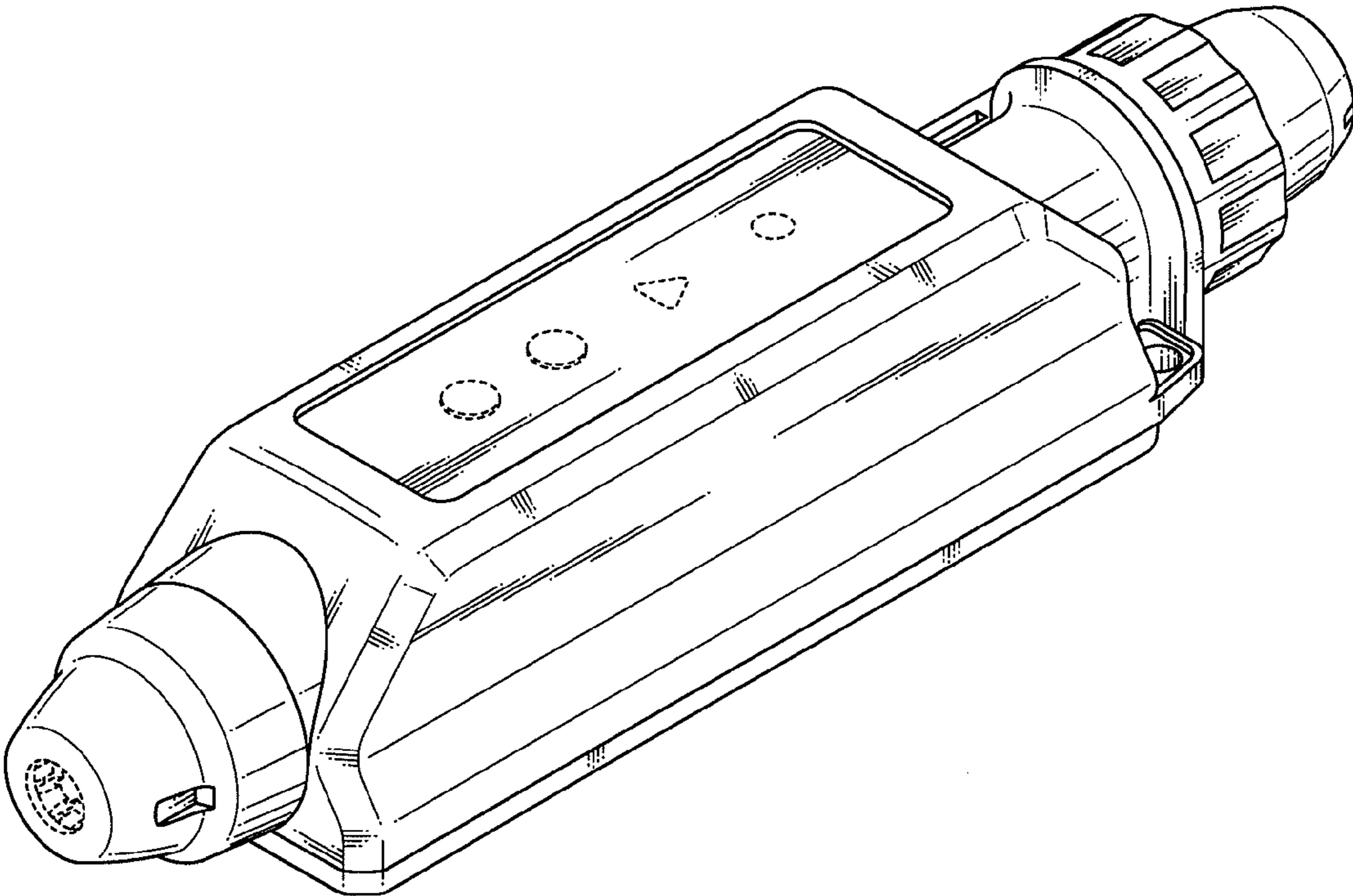


Fig. 2

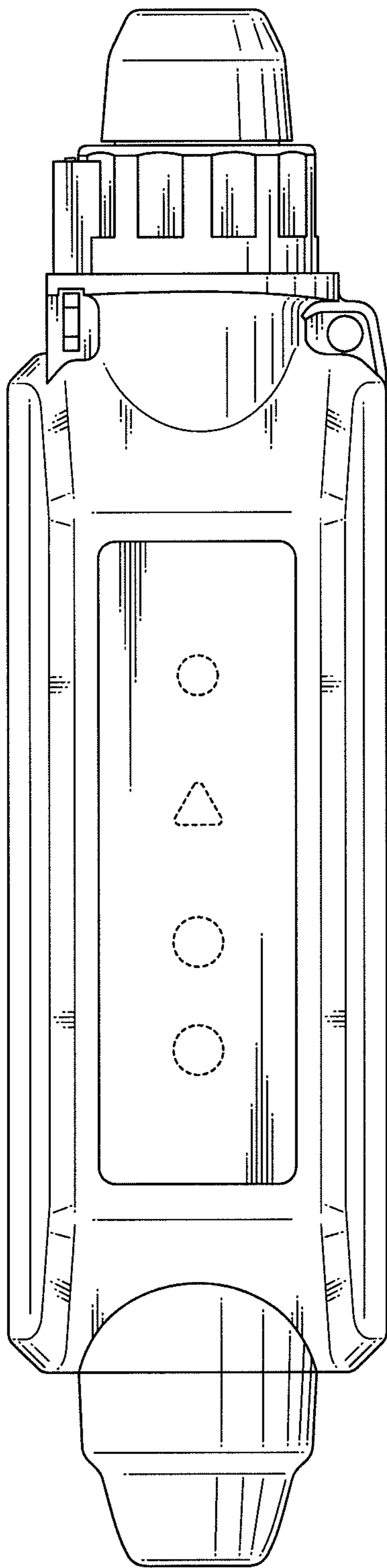


Fig. 3

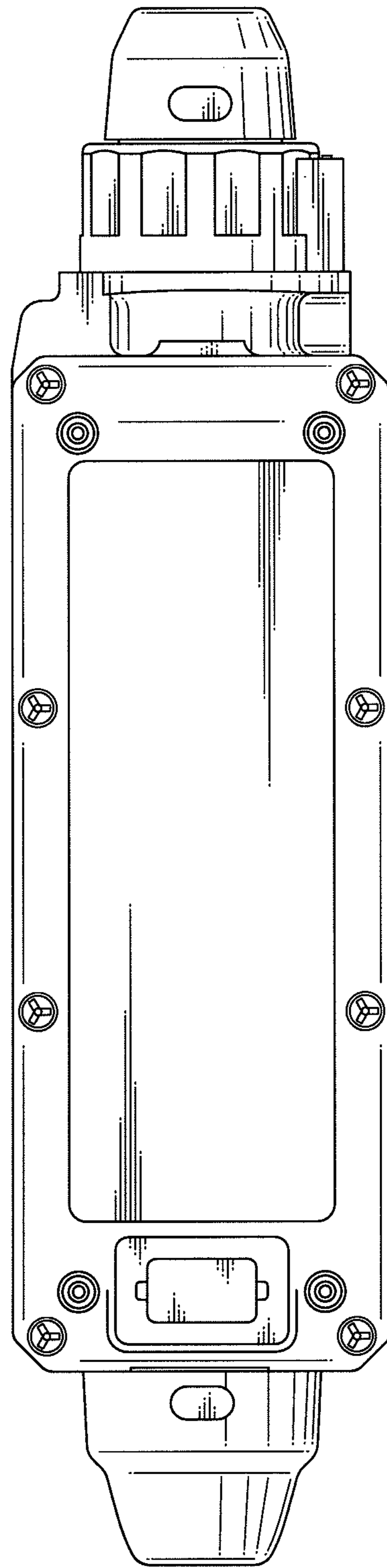


Fig. 4

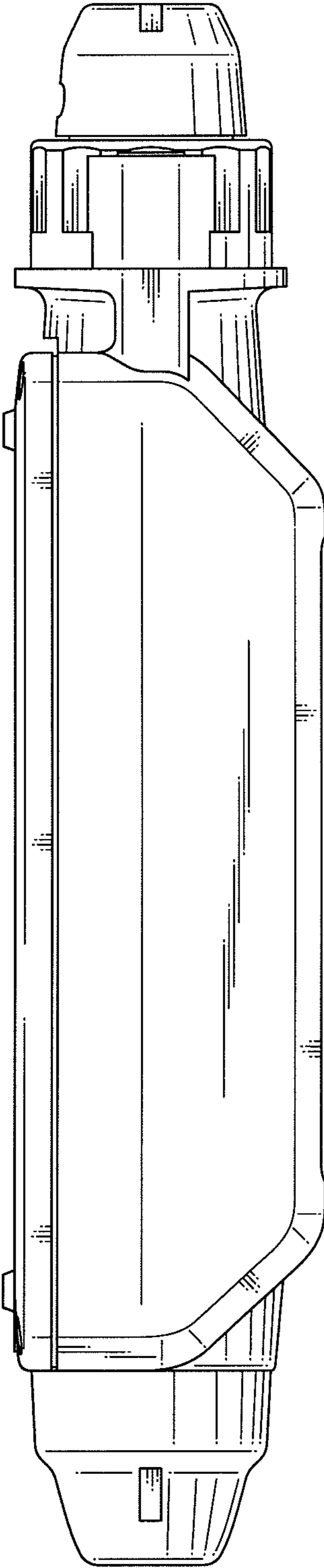


Fig. 5

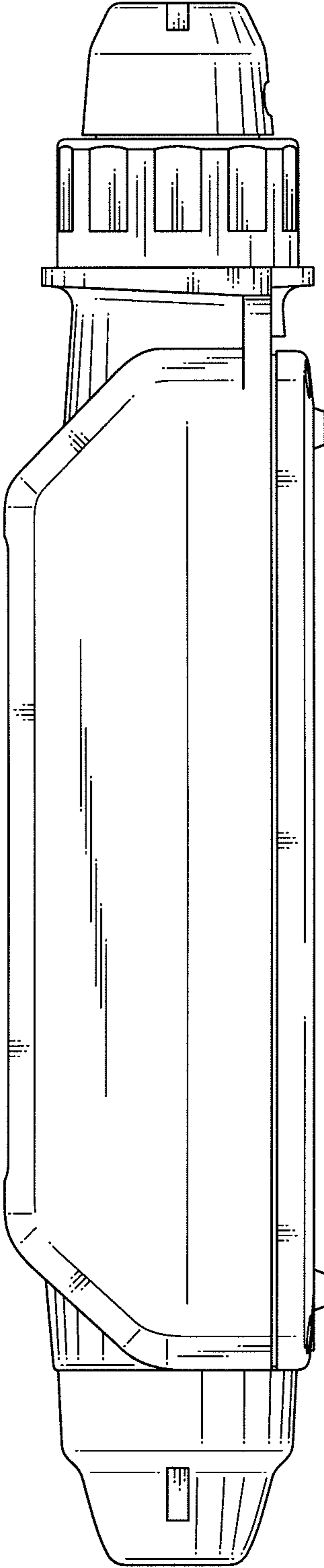


Fig. 6

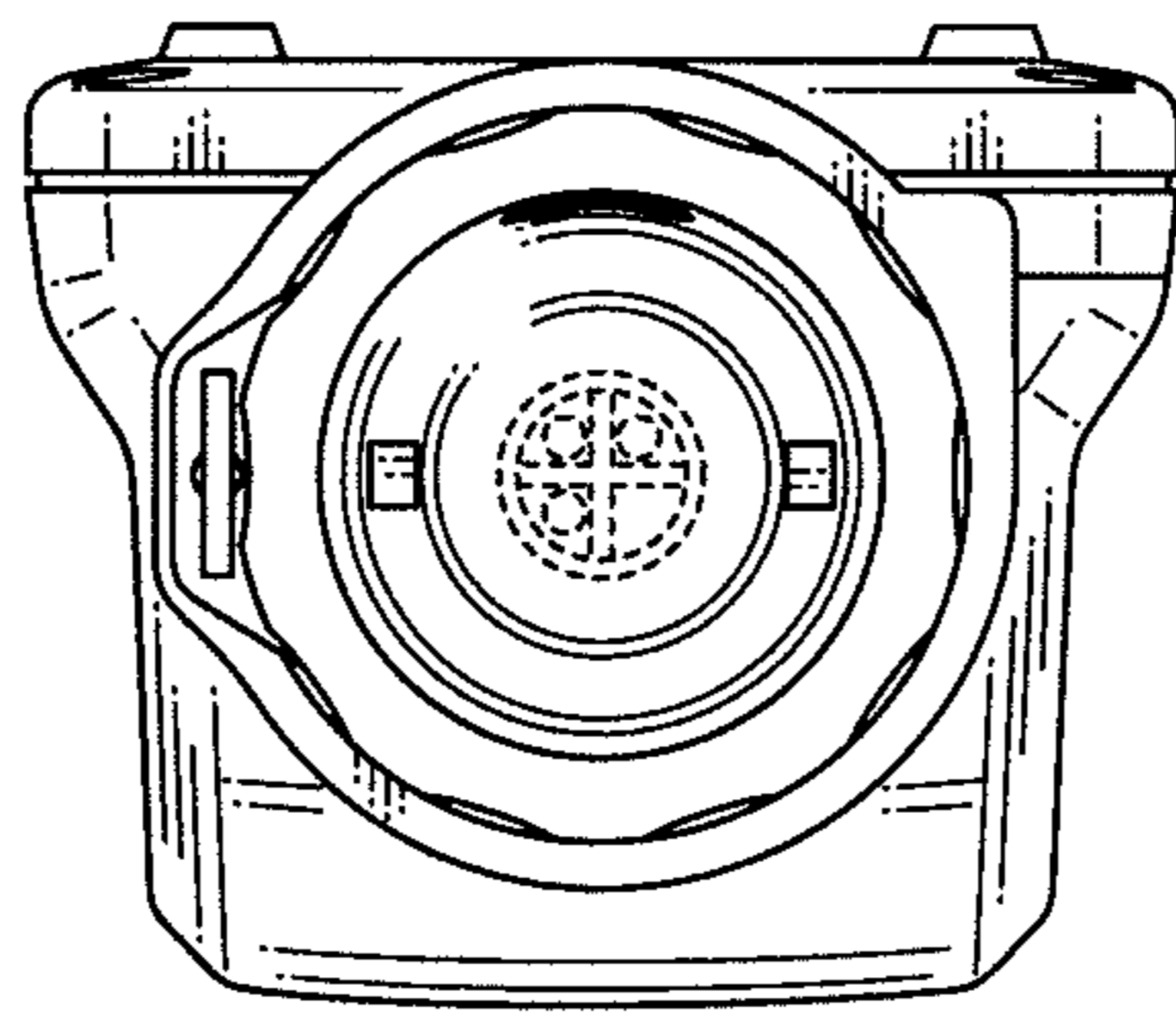


Fig. 7

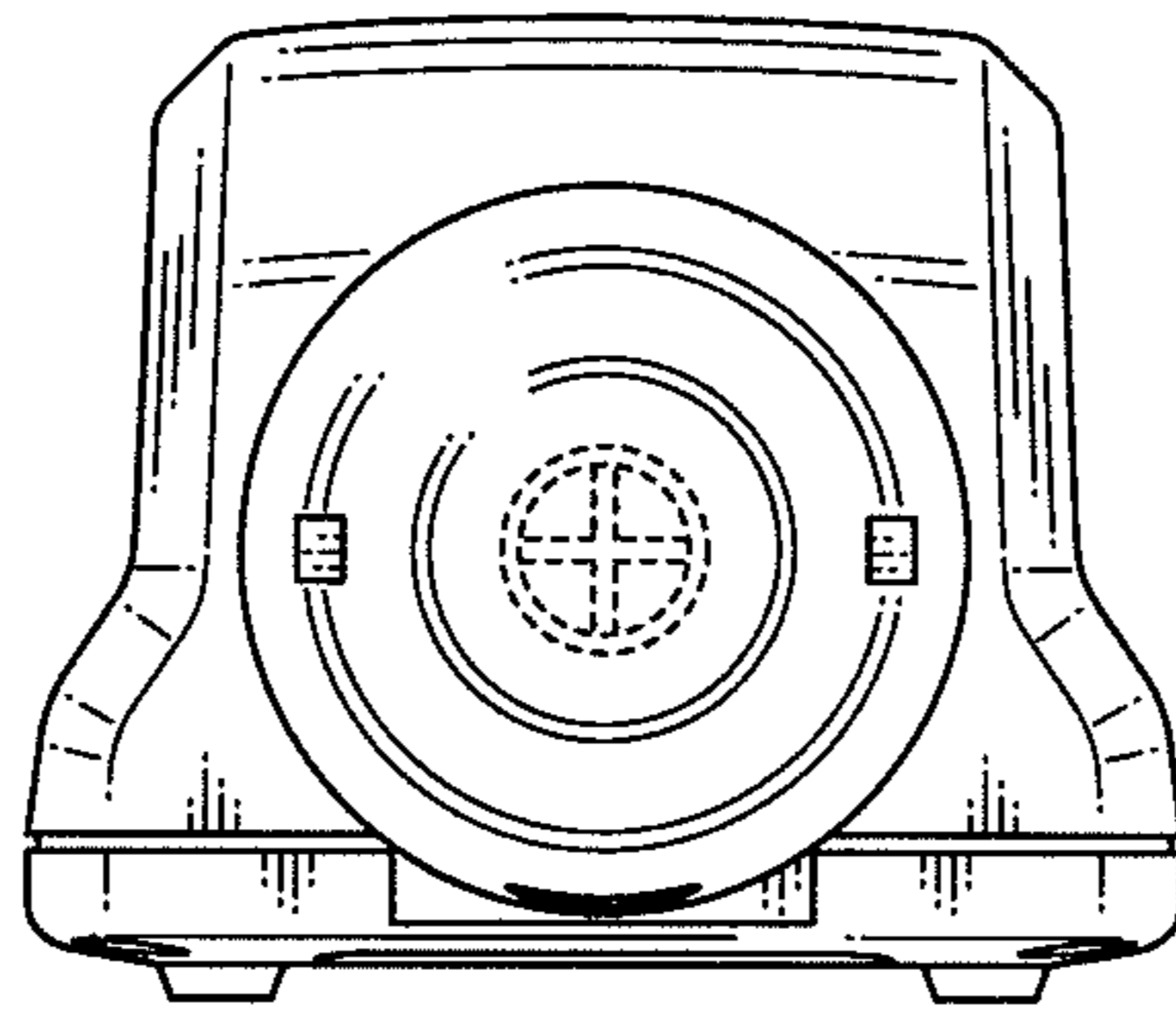


Fig. 8

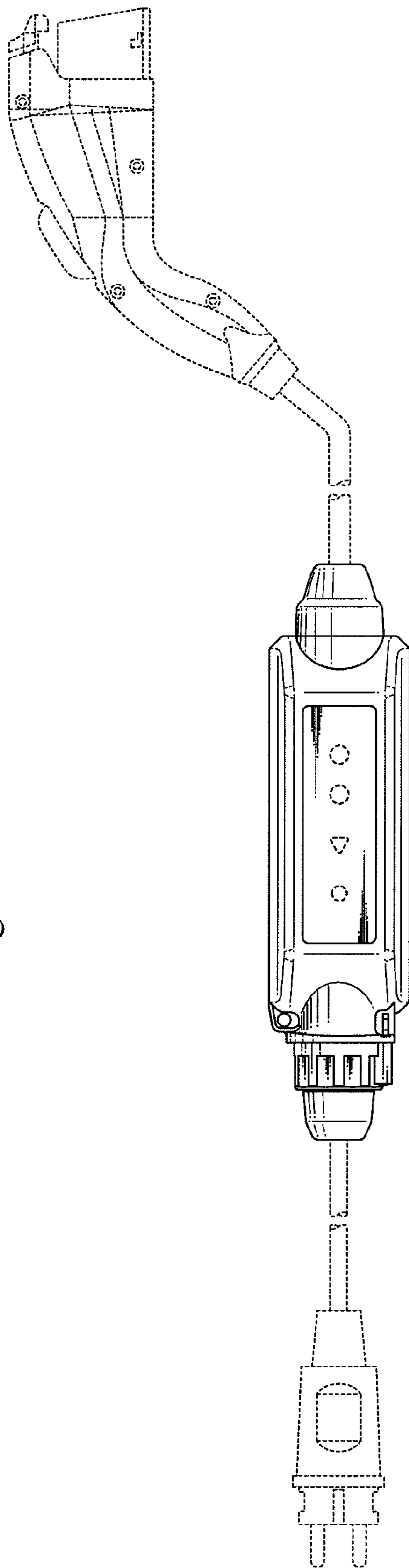


Fig. 9

