



US00D680062S

(12) **United States Design Patent**
Lien

(10) **Patent No.:** **US D680,062 S**

(45) **Date of Patent:** **** Apr. 16, 2013**

(54) **BATTERY CASE FOR EXCLUSIVE USE ON A BICYCLE DERAILLEUR**

(75) Inventor: **Mark Lien**, Fenyuan Township, Changhua County (TW)

(73) Assignee: **Axman Enterprise Co., Ltd.**, Changhua County (TW)

(**) Term: **14 Years**

(21) Appl. No.: **29/426,614**

(22) Filed: **Jul. 8, 2012**

(51) **LOC (9) Cl.** **13-02**

(52) **U.S. Cl.**
USPC **D13/103**

(58) **Field of Classification Search** D13/102–108,
D13/110, 118–119, 184; 429/96–100, 163,
429/176

See application file for complete search history.

(56) **References Cited**

U.S. PATENT DOCUMENTS

D411,201 S * 6/1999 Munoz D14/217
D484,853 S * 1/2004 Alviar D13/110

D506,065 S * 6/2005 Sugino et al. D3/294
D602,430 S * 10/2009 Green et al. D13/110
D631,835 S * 2/2011 Neidhart D13/103
D643,807 S * 8/2011 Jiang D13/103
D654,852 S * 2/2012 Hansen D13/103

* cited by examiner

Primary Examiner — Rosemary K Tarcza

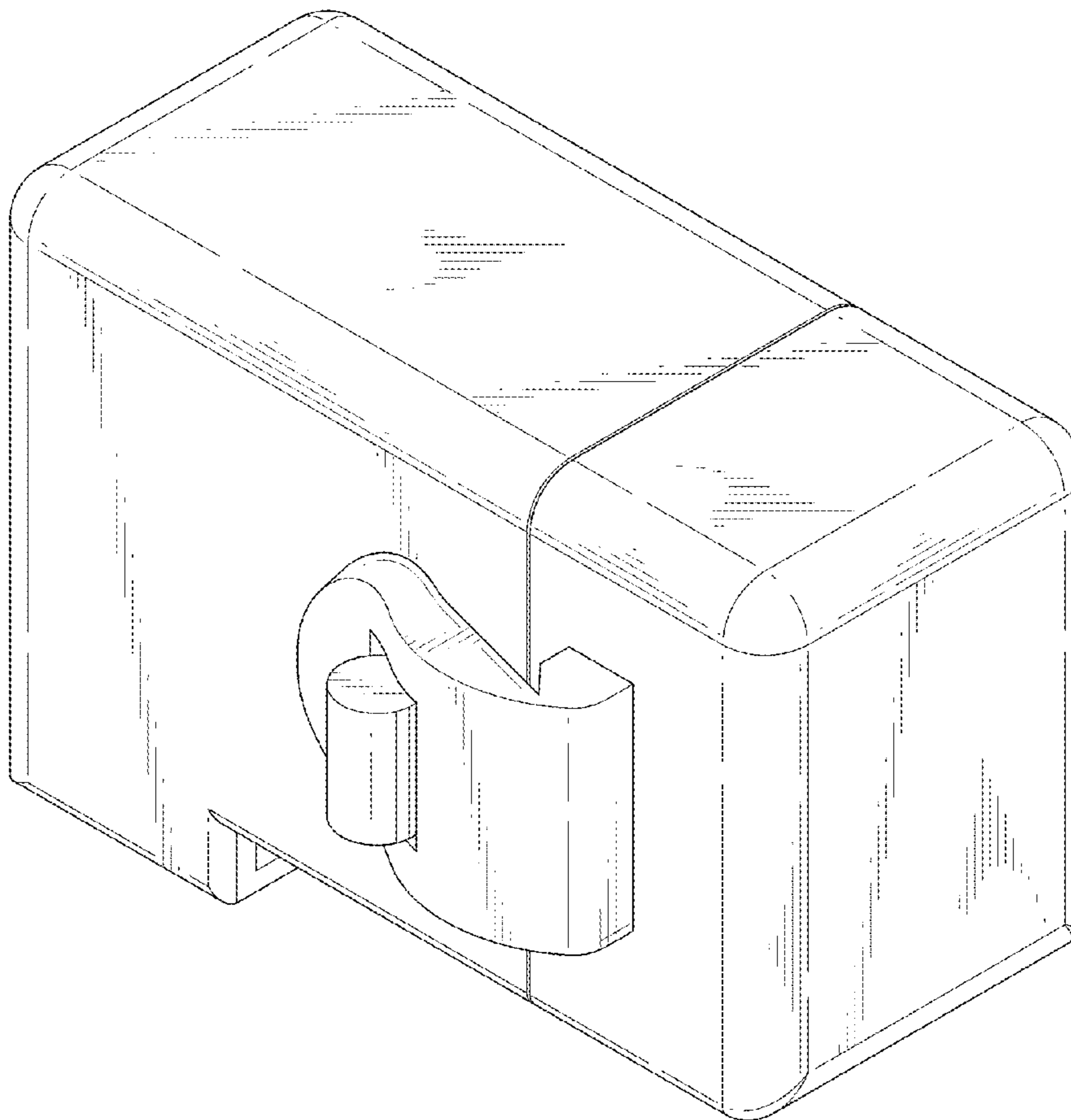
(57) **CLAIM**

The ornamental design for a battery case for exclusive use on a bicycle derailleur, as shown and described.

DESCRIPTION

FIG. 1 is a perspective view of a battery case for exclusive use on a bicycle derailleur showing my new design;
FIG. 2 is a front elevational view thereof;
FIG. 3 is a rear elevational view thereof;
FIG. 4 is a left side elevational view thereof;
FIG. 5 is a right side elevational view thereof;
FIG. 6 is a top plan view thereof;
FIG. 7 is a bottom plan view thereof; and,
FIG. 8 is a perspective view from the bottom vision thereof.

1 Claim, 5 Drawing Sheets



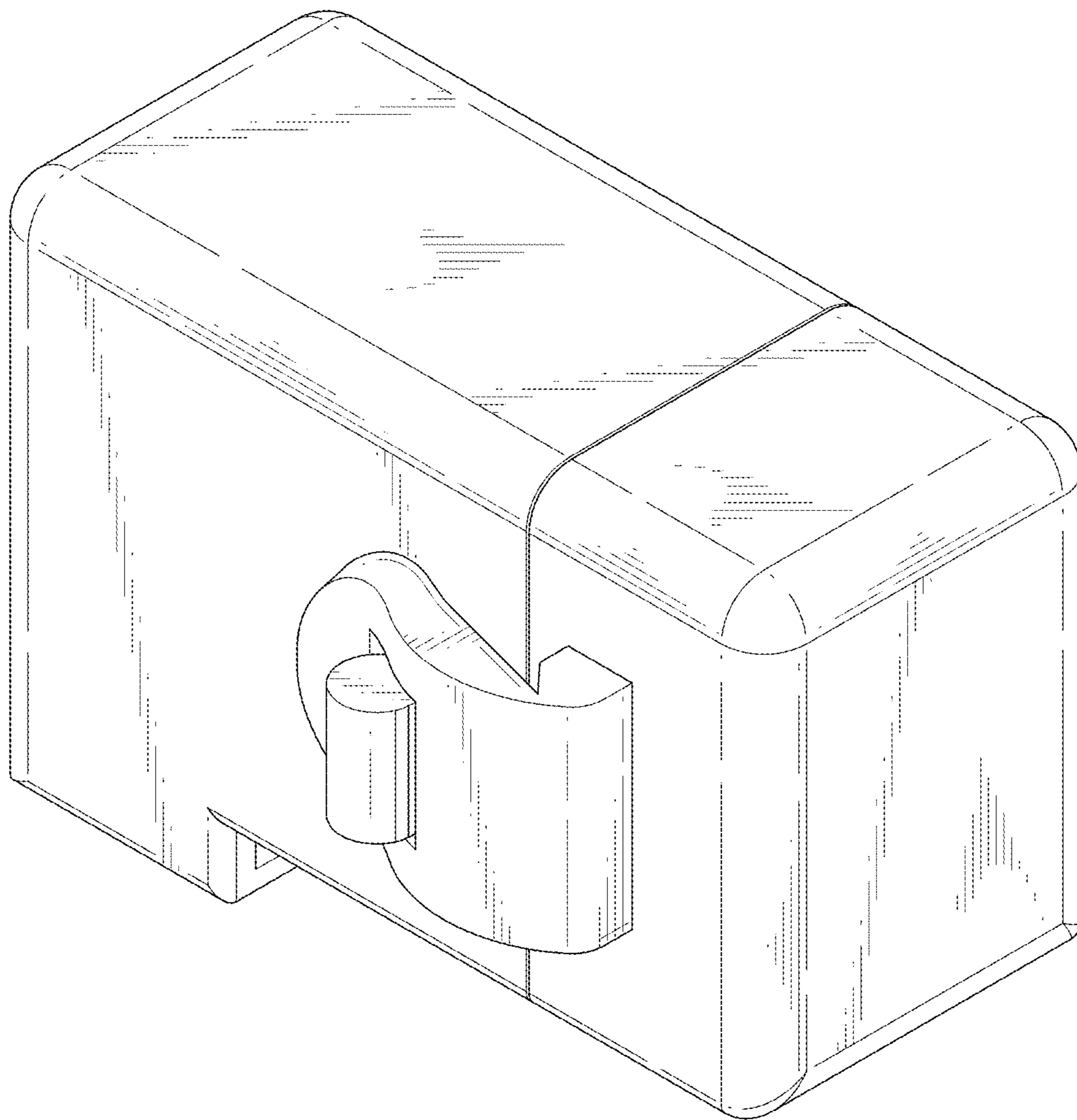


FIG. 1

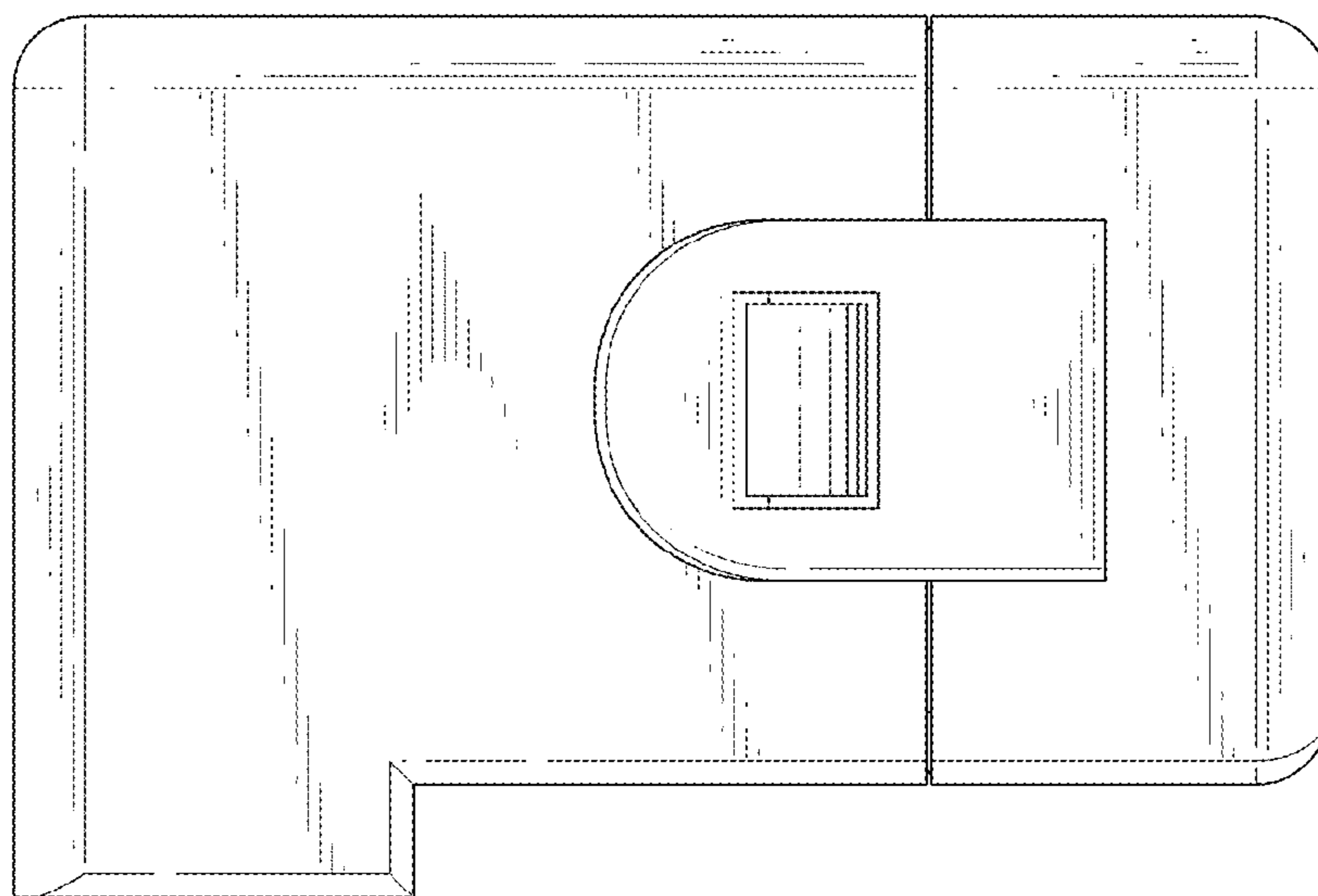


FIG. 2

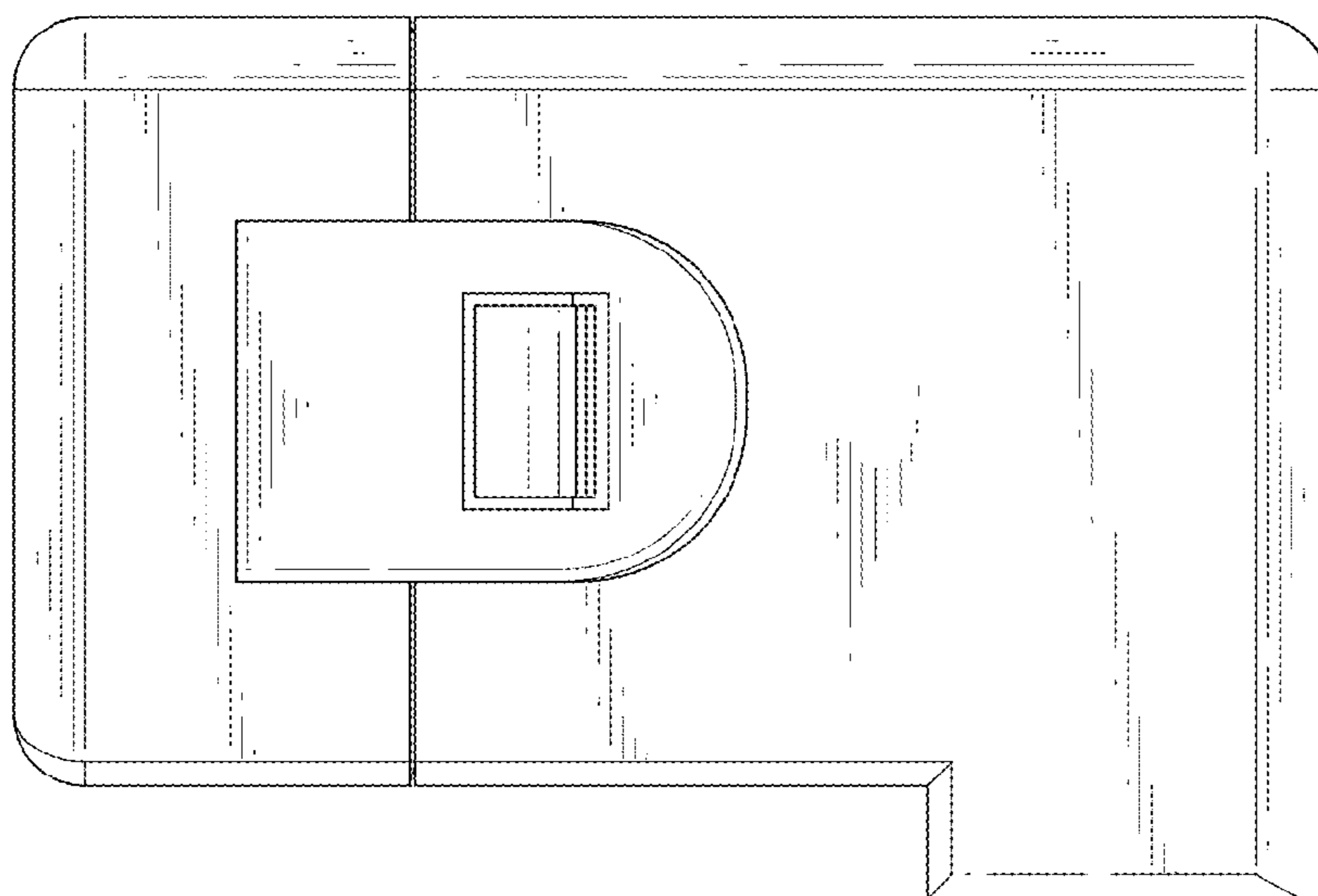


FIG. 3

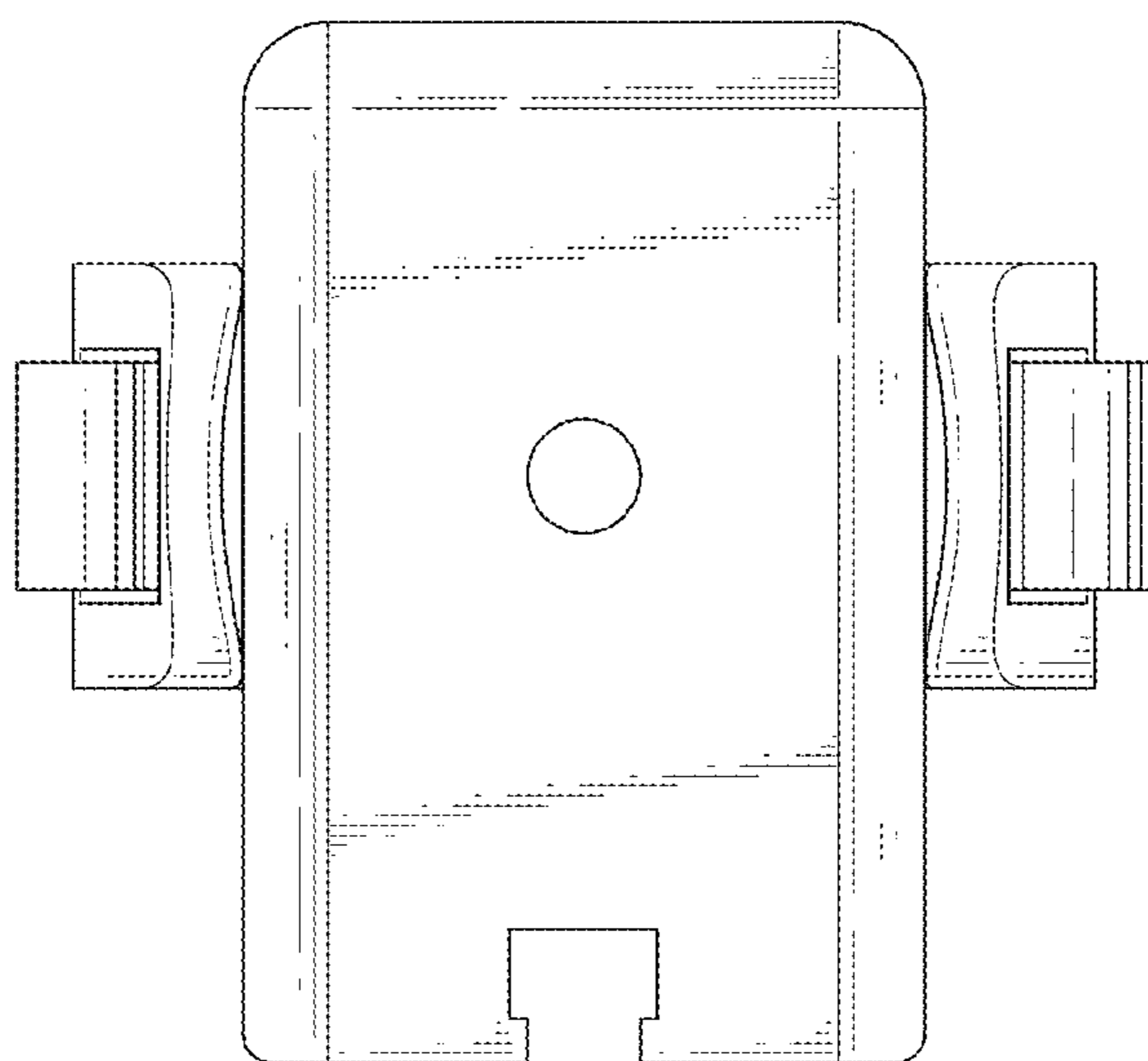


FIG. 4

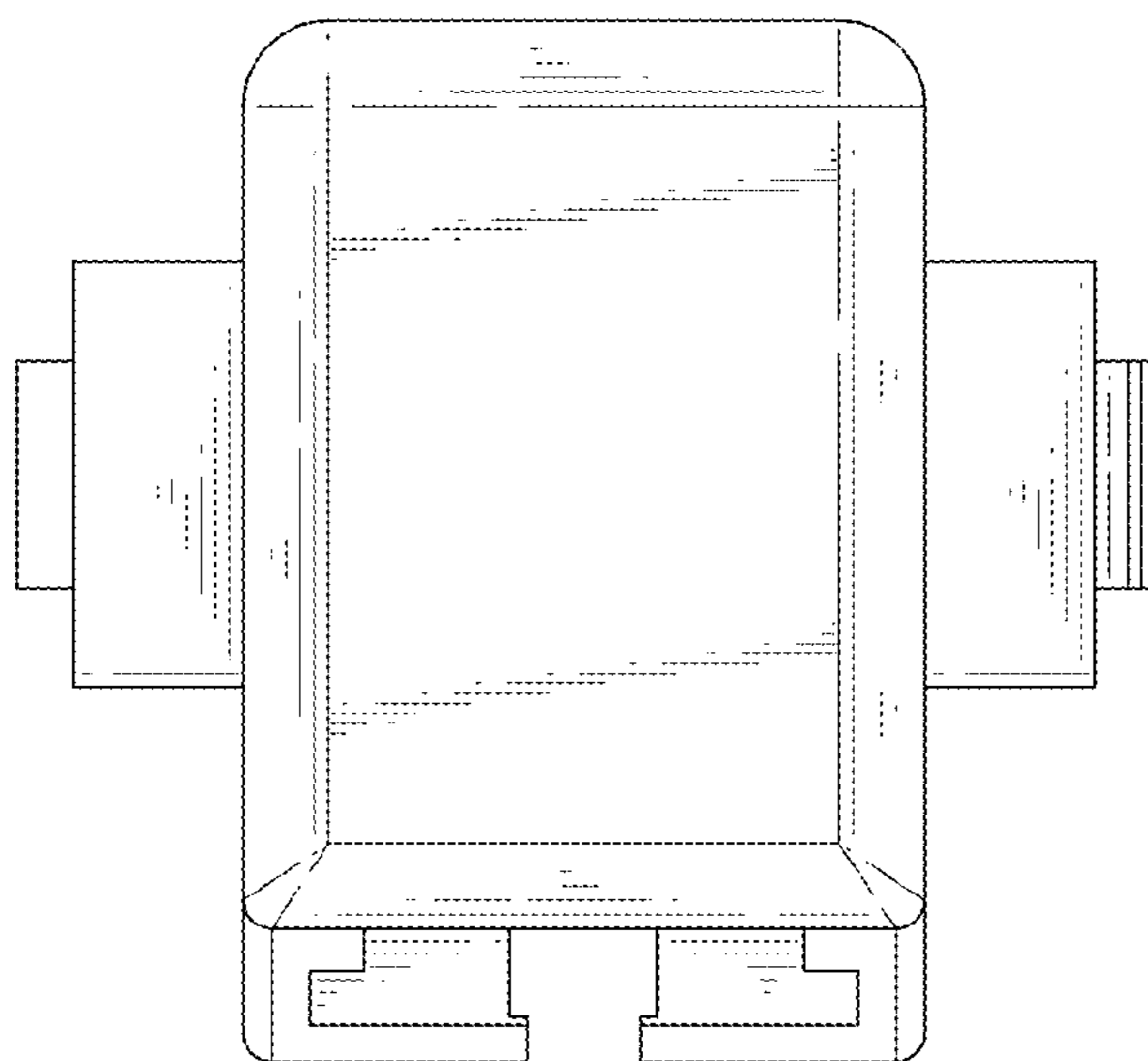


FIG. 5

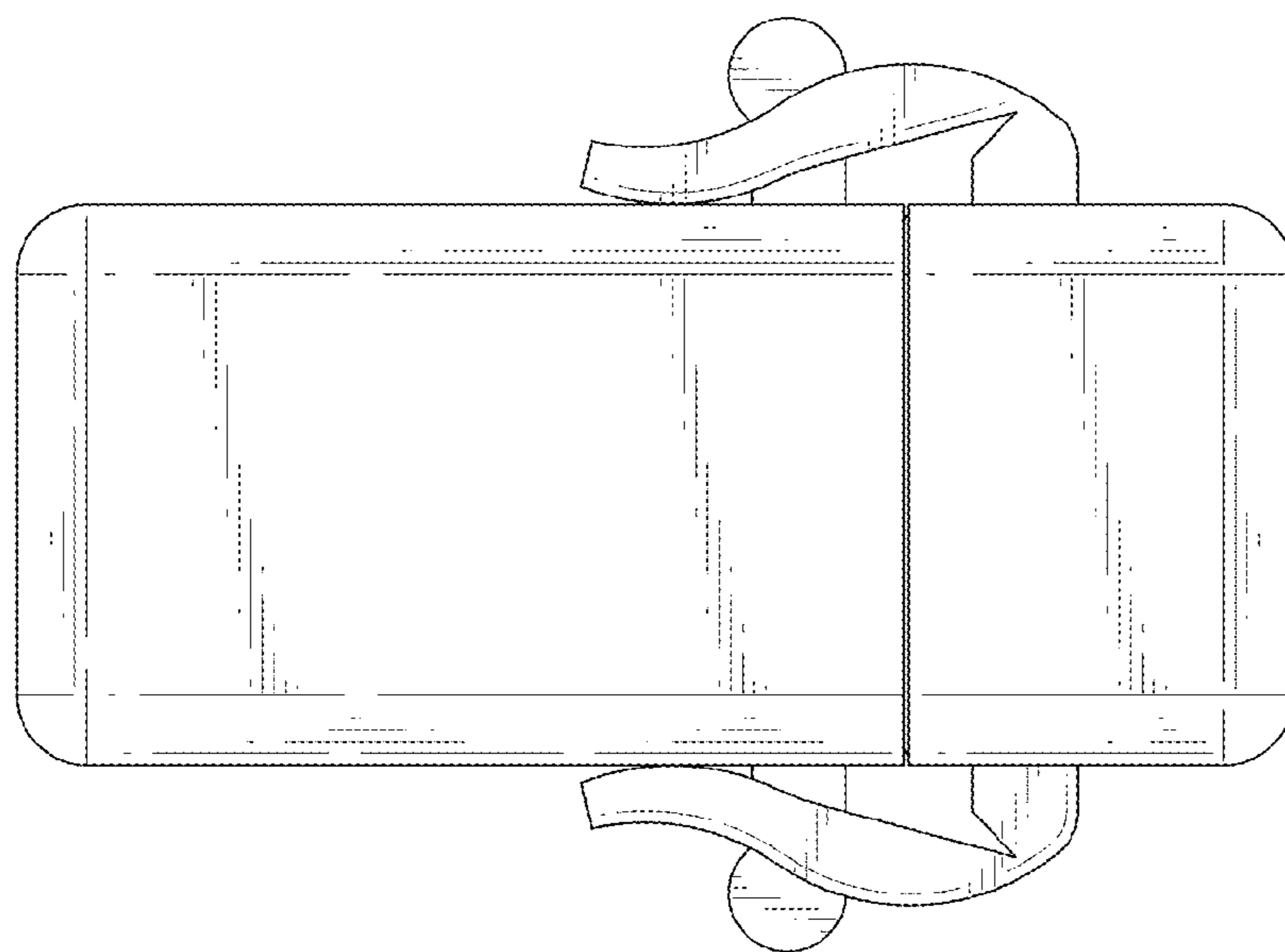


FIG. 6

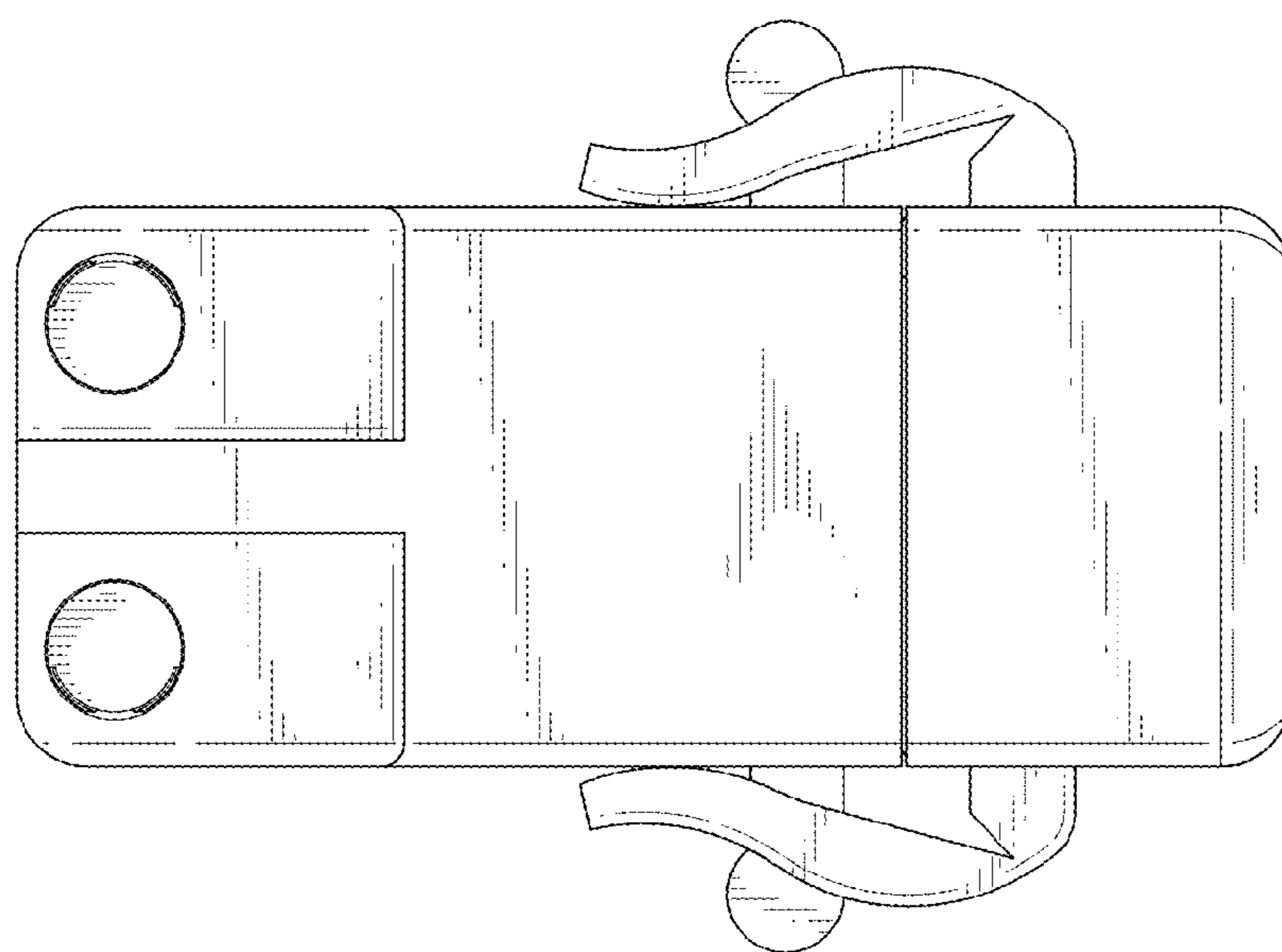


FIG. 7

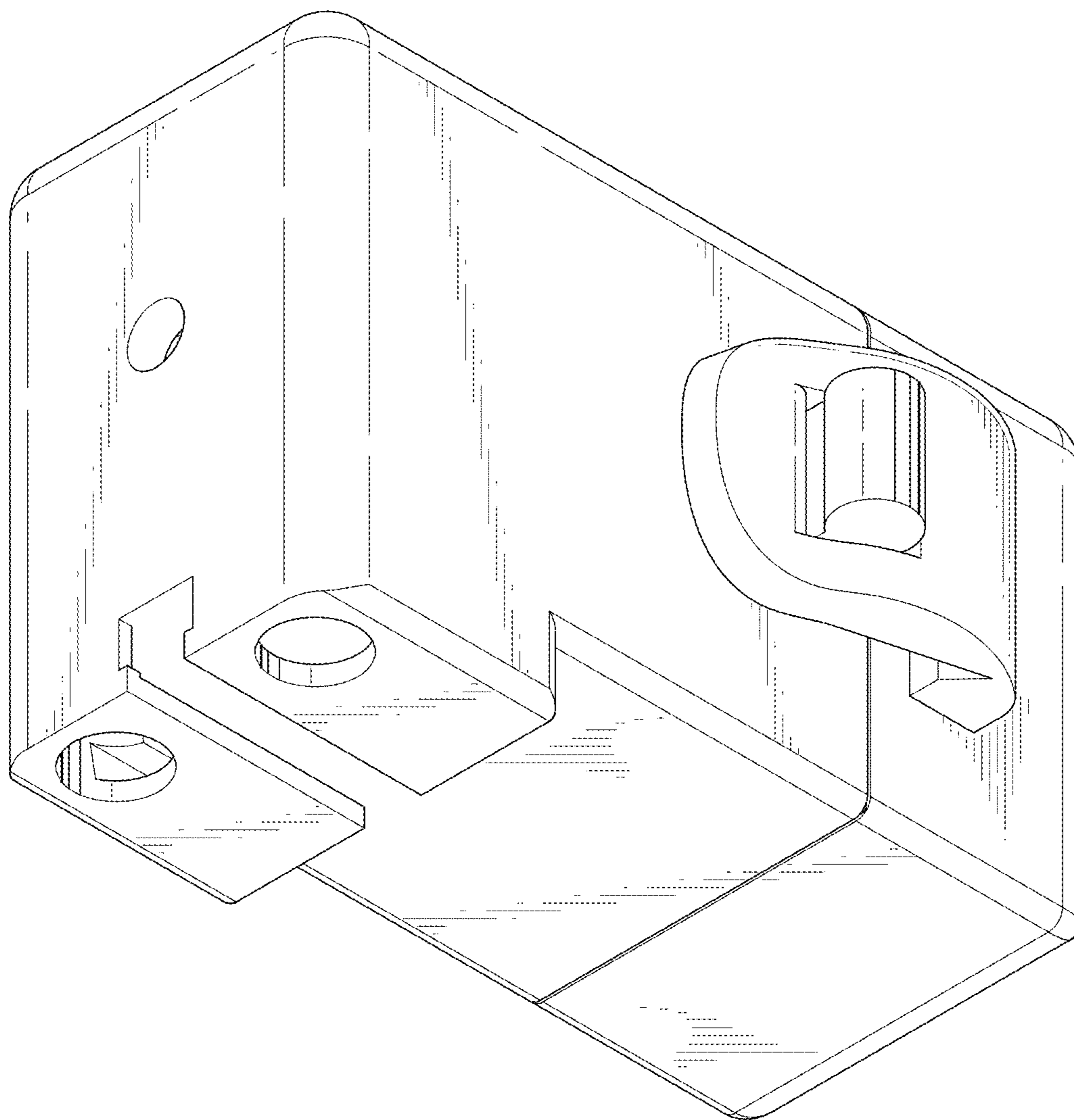


FIG. 8