



US00D680061S

(12) **United States Design Patent**  
**Jiang et al.**

(10) **Patent No.:** **US D680,061 S**

(45) **Date of Patent:** **\*\* Apr. 16, 2013**

- (54) **MOBILE COMPUTER BATTERY**
- (75) Inventors: **Chen Jiang**, New York, NY (US);  
**Charles A. Bacon**, Brooklyn, NY (US)
- (73) Assignee: **Symbol Technologies, Inc.**, Holtsville,  
NY (US)
- (\*\*) Term: **14 Years**
- (21) Appl. No.: **29/413,074**
- (22) Filed: **Feb. 10, 2012**
- (51) **LOC (9) Cl.** ..... **13-02**
- (52) **U.S. Cl.**  
USPC ..... **D13/103**
- (58) **Field of Classification Search** ..... D13/102-106,  
D13/110, 118-119, 184; 429/96-100, 163,  
429/176  
See application file for complete search history.

- D392,248 S \* 3/1998 Johansson ..... D13/103
- D399,818 S \* 10/1998 Lindahl ..... D13/103
- D400,497 S \* 11/1998 Sabag et al. .... D13/103
- D409,561 S \* 5/1999 Chintala et al. .... D13/103
- D413,857 S \* 9/1999 Peterzell et al. .... D13/103
- D417,428 S \* 12/1999 Kolinen et al. .... D13/103
- D447,112 S \* 8/2001 Heong et al. .... D13/103
- D448,002 S \* 9/2001 Yang ..... D13/103
- D481,716 S \* 11/2003 He et al. .... D14/248

\* cited by examiner

*Primary Examiner* — Rosemary K Tarcza

(57) **CLAIM**

The ornamental design for a mobile computer battery, as shown and described.

**DESCRIPTION**

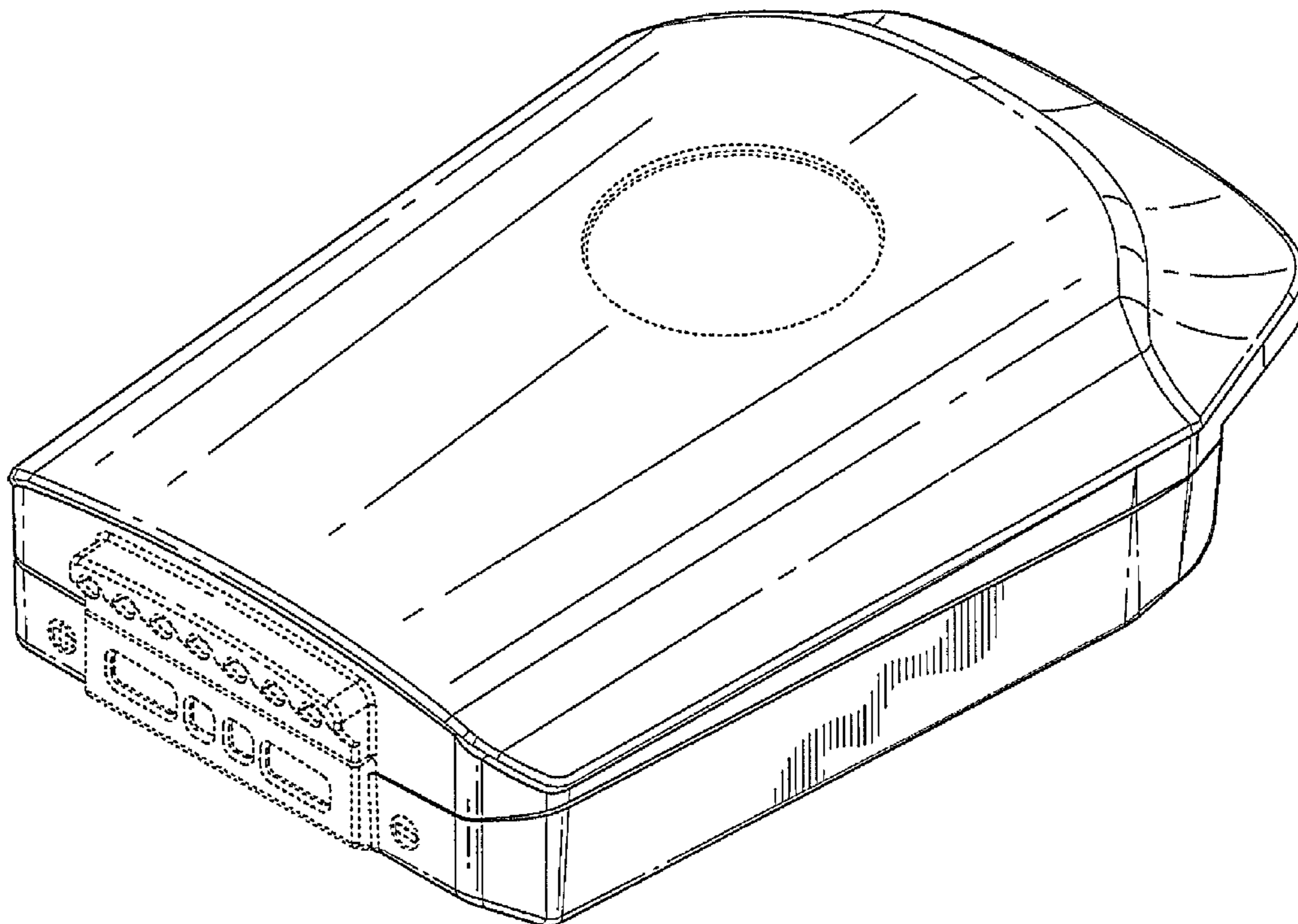
FIG. 1 is a top perspective view of an ornamental design for a mobile computer battery;  
 FIG. 2 is a bottom perspective view thereof;  
 FIG. 3 is a top view thereof;  
 FIG. 4 is a first side view thereof;  
 FIG. 5 is a second side view thereof  
 FIG. 6 is a bottom view thereof;  
 FIG. 7 is a front view thereof; and,  
 FIG. 8 is a rear view thereof.  
 The broken lines in FIGS. 1-8 showing environmental structures are for illustrative purposes and form no part of the claim design.

**1 Claim, 5 Drawing Sheets**

(56) **References Cited**

U.S. PATENT DOCUMENTS

- D331,566 S \* 12/1992 Seymour ..... D13/103
- 5,180,644 A \* 1/1993 Bresin et al. .... 429/98
- D349,093 S \* 7/1994 Alexandres et al. .... D13/103
- D350,110 S \* 8/1994 Johnson ..... D13/103
- D357,896 S \* 5/1995 Berry ..... D13/103
- D374,860 S \* 10/1996 Amero et al. .... D13/103
- D380,728 S \* 7/1997 Richards et al. .... D13/103
- D389,117 S \* 1/1998 Nuovo et al. .... D13/103
- D389,455 S \* 1/1998 Lindahl ..... D13/103
- D391,622 S \* 3/1998 Huynh et al. .... D13/103



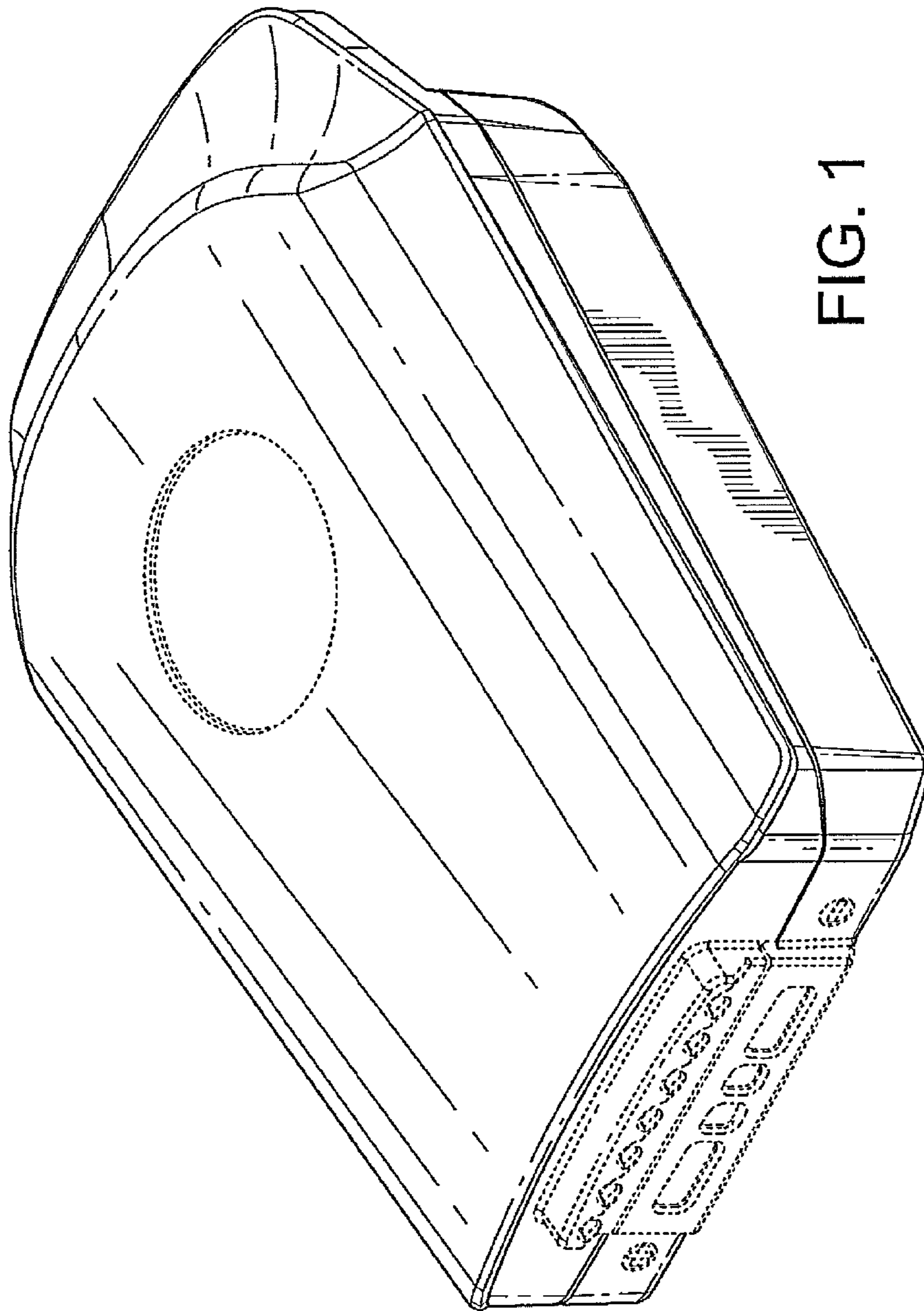


FIG. 1

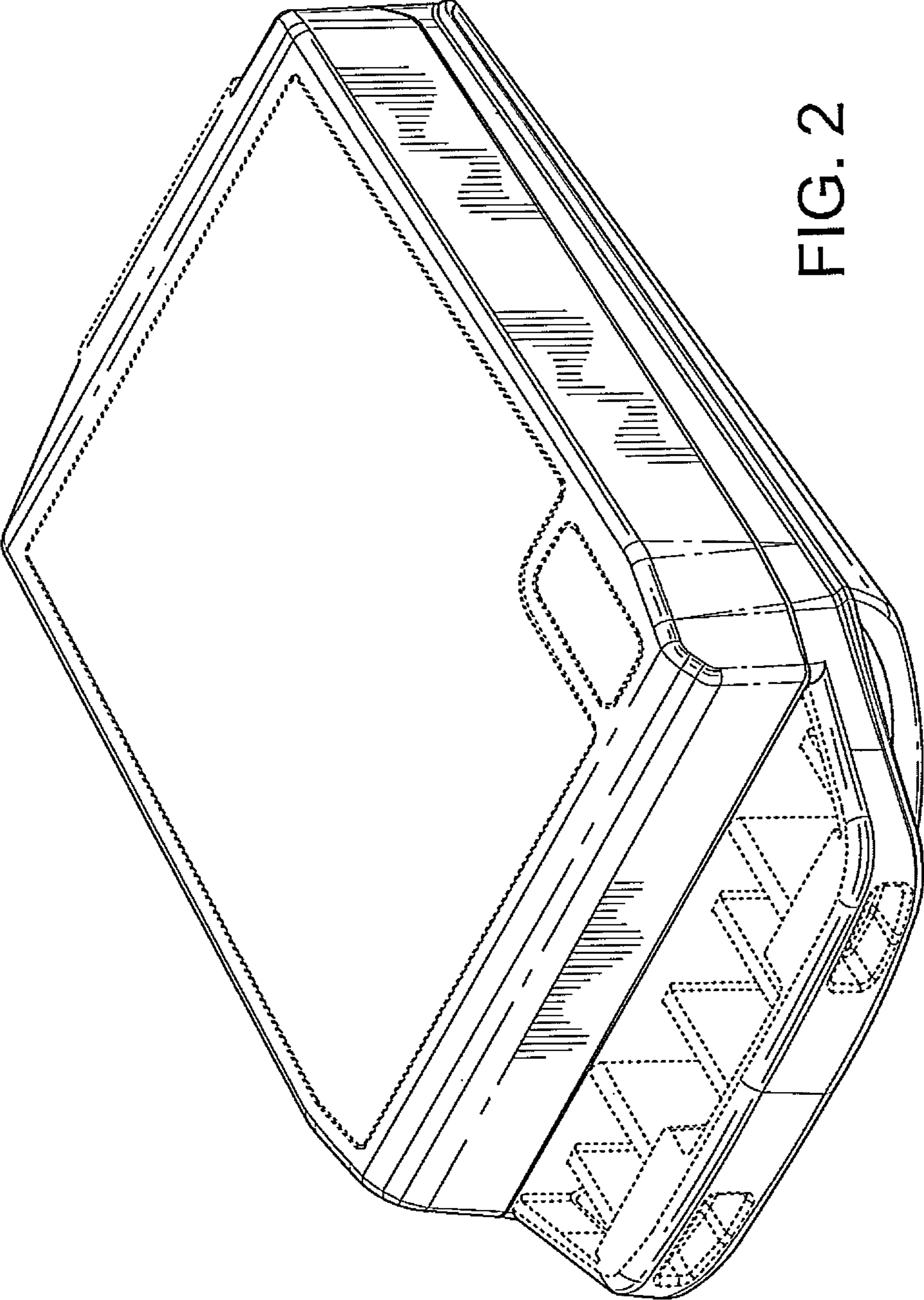


FIG. 2

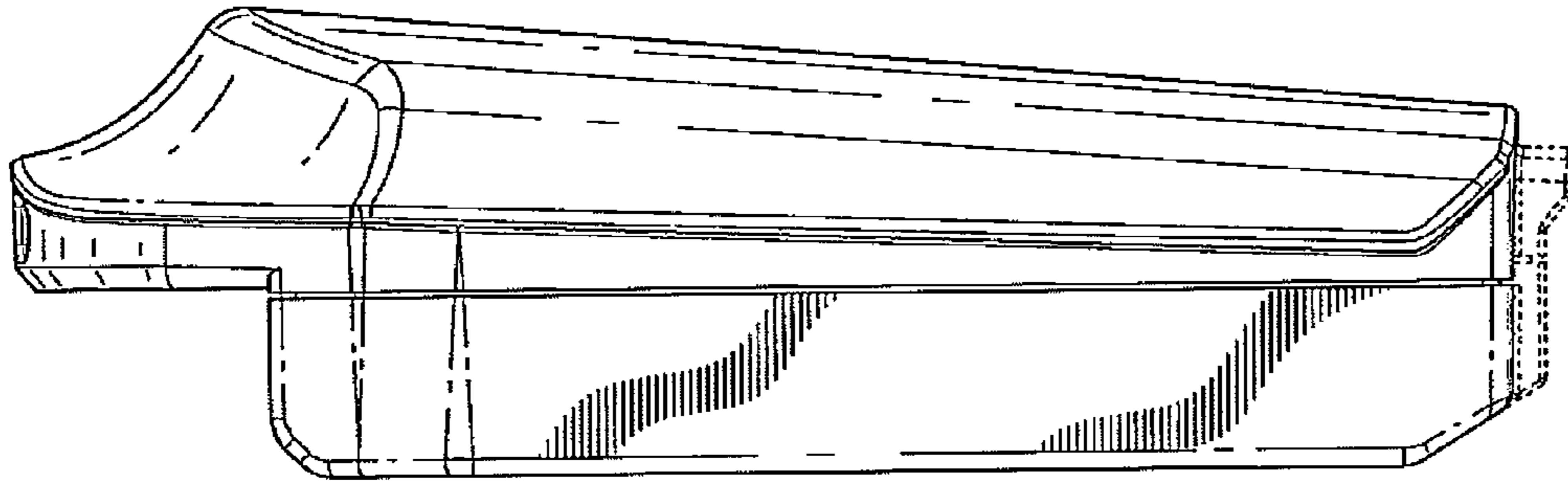


FIG. 4

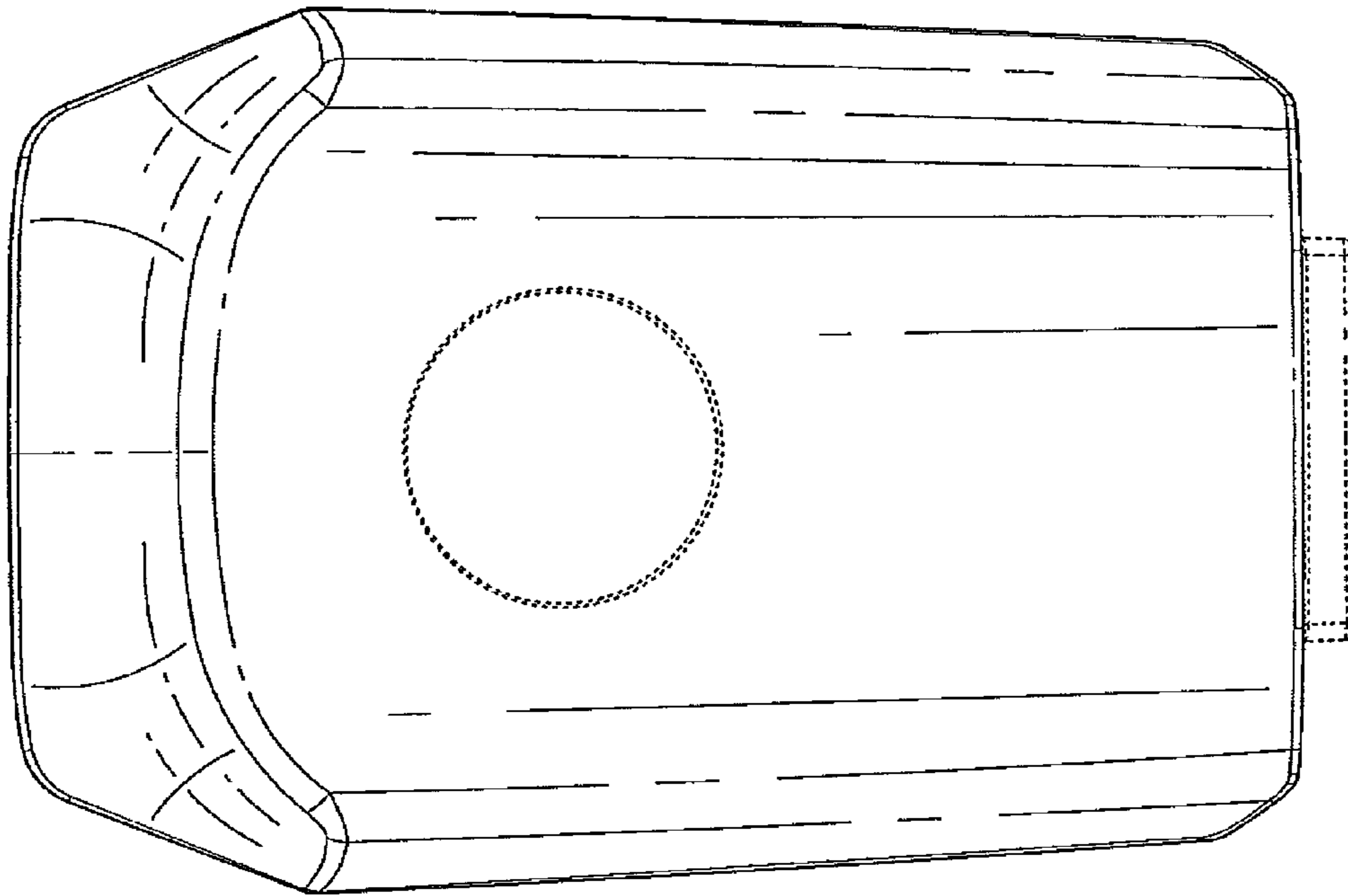


FIG. 3

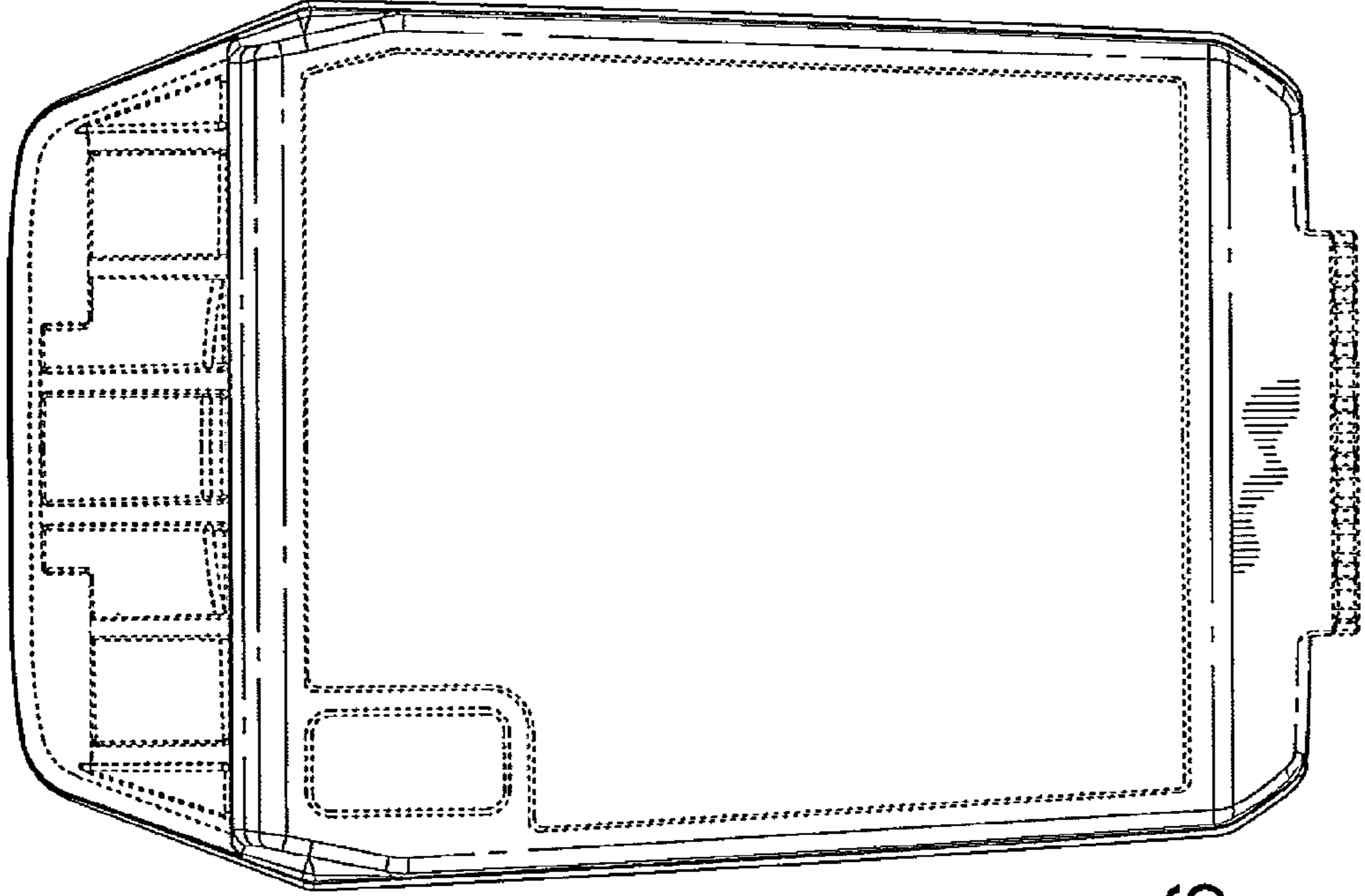


FIG. 6

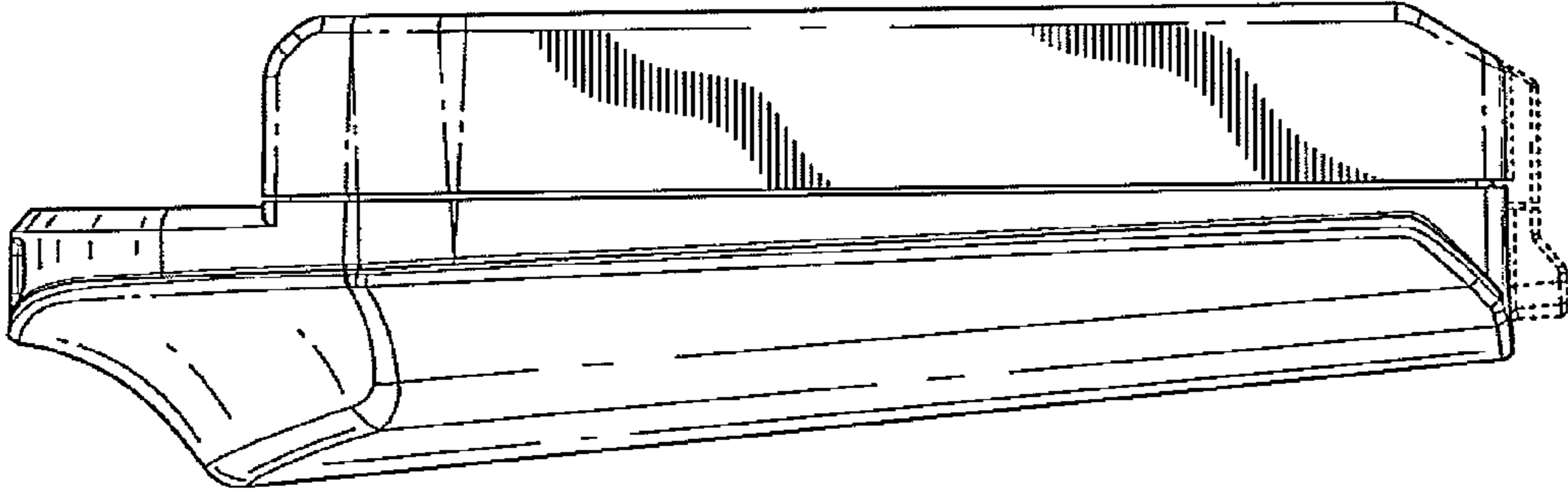


FIG. 5

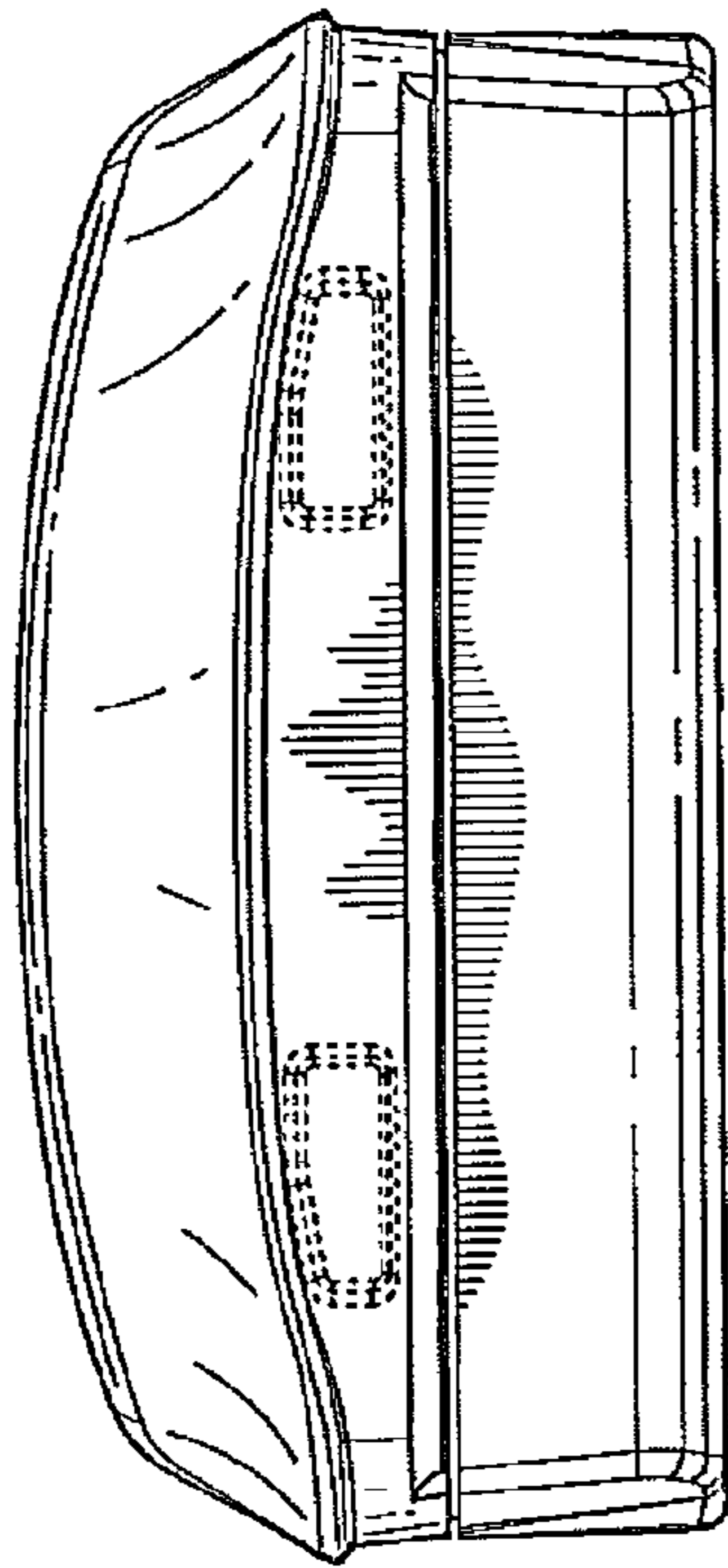


FIG. 7

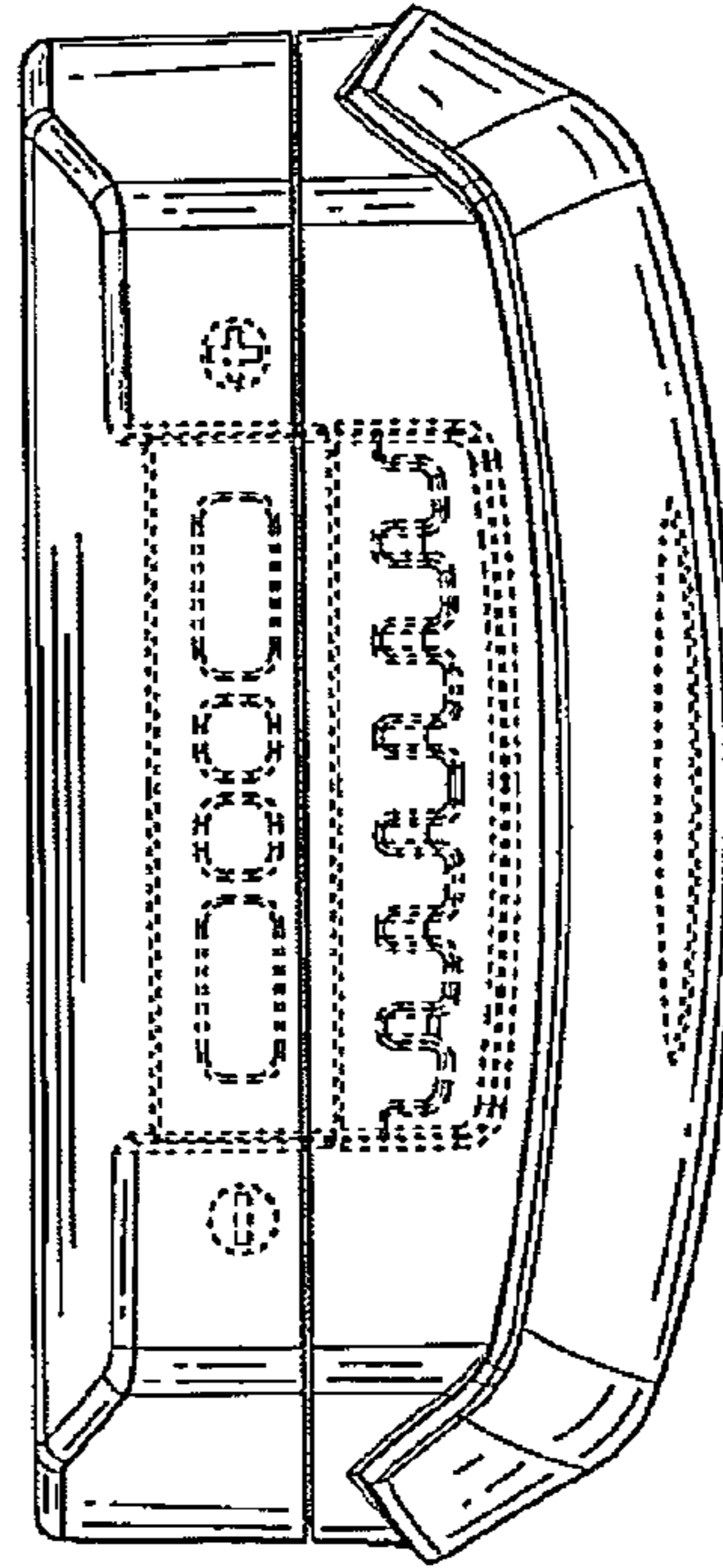


FIG. 8