



US00D680051S

(12) **United States Design Patent**
Tolentino et al.

(10) **Patent No.:** **US D680,051 S**
(45) **Date of Patent:** **** Apr. 16, 2013**

(54) **WIPER BLADE WITH A COVER**
(75) Inventors: **Vambi Raymundo Tolentino**, Coconut Creek, FL (US); **Robert Peter Peers**, Boca Raton, FL (US)
(73) Assignee: **Pylon Manufacturing Corp.**, Deerfield Beach, FL (US)
(**) Term: **14 Years**
(21) Appl. No.: **29/413,430**

(22) Filed: **Feb. 15, 2012**
(51) **LOC (9) Cl.** **12-06**
(52) **U.S. Cl.**
USPC **D12/219**
(58) **Field of Classification Search** D12/219-220;
15/246, 247, 250.001, 250.4, 250.361, 250.19,
15/250.48, 250.03, 250.31-250.33, 250.351,
15/250.38, 250.201, 250.451, 250.458, 250.04,
15/250.07, 250.44
See application file for complete search history.

(56) **References Cited**

U.S. PATENT DOCUMENTS

D370,199 S * 5/1996 Kim D12/219
2005/0039292 A1* 2/2005 Boland 15/250.32
2006/0282972 A1* 12/2006 Huang 15/250.201
2007/0186366 A1* 8/2007 Alley 15/250.4
2007/0226941 A1* 10/2007 Kraemer et al. 15/250.201

2010/0005608 A1* 1/2010 Chien 15/250.32
2010/0024151 A1* 2/2010 Ku 15/250.351
2010/0242204 A1* 9/2010 Chien 15/250.201
2011/0219563 A1* 9/2011 Guastella et al. 15/250.351
2012/0102669 A1* 5/2012 Lee et al. 15/250.201
2012/0180245 A1* 7/2012 Ku 15/250.32
2012/0180246 A1* 7/2012 Ku 15/250.32

* cited by examiner

Primary Examiner — Katrina A Betton
(74) *Attorney, Agent, or Firm* — Feldman Gale, P.A.

(57) **CLAIM**

We claim the ornamental design for a wiper blade with a cover, as shown and described.

DESCRIPTION

FIG. 1 is a perspective view of the wiper blade with a cover from above.
FIG. 2 is a front view of the wiper blade with a cover.
FIG. 3 is a right-side view of the wiper blade with a cover.
FIG. 4 is a top view of the wiper blade with a cover.
FIG. 5 is a left-side view of the wiper blade with a cover.
FIG. 6 is a bottom view of the wiper blade with a cover.
FIG. 7 is a back view of the wiper blade with a cover; and,
FIG. 8 is a perspective view of the wiper blade with a cover from below.

1 Claim, 2 Drawing Sheets

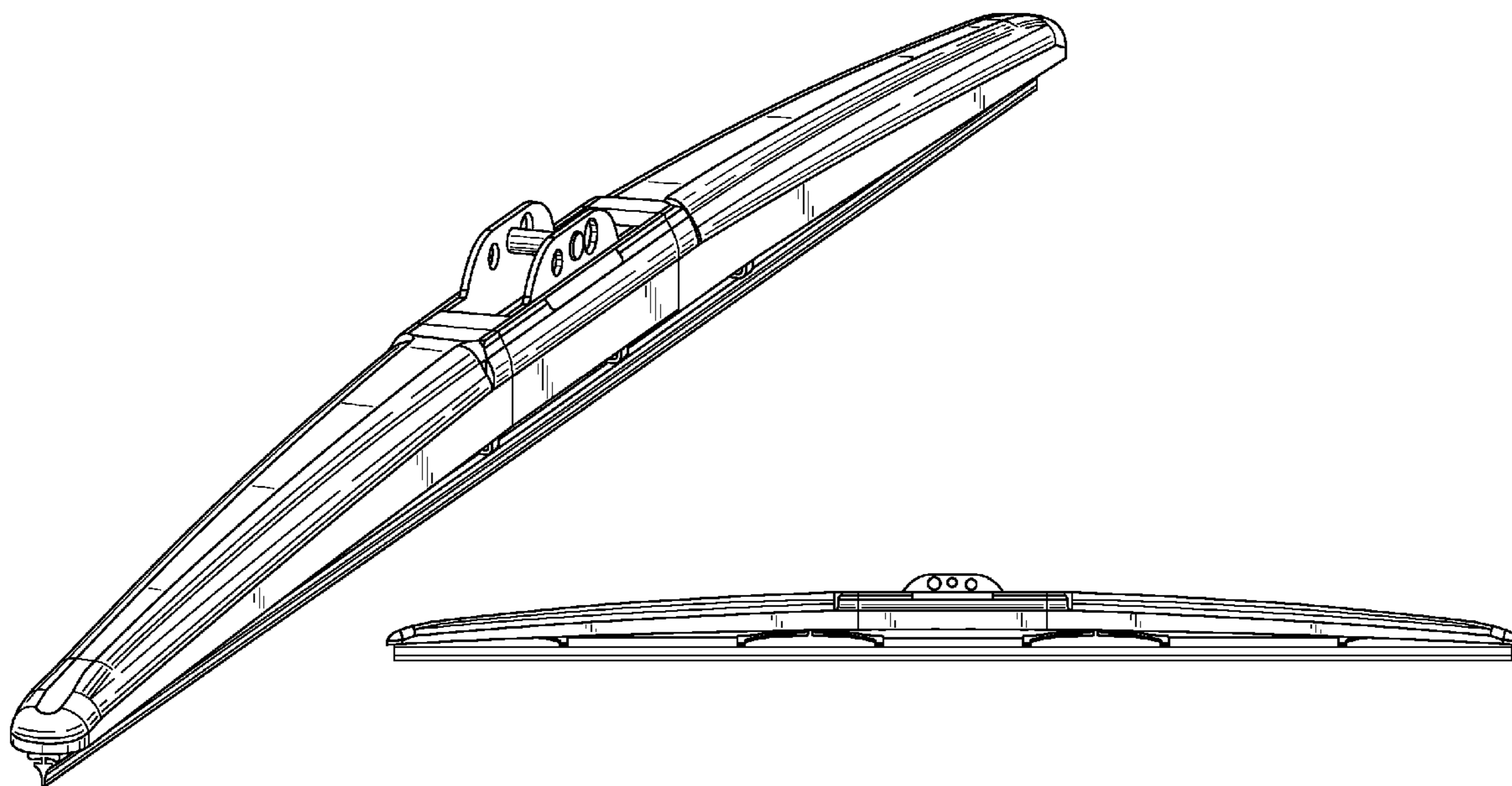


FIG. 1

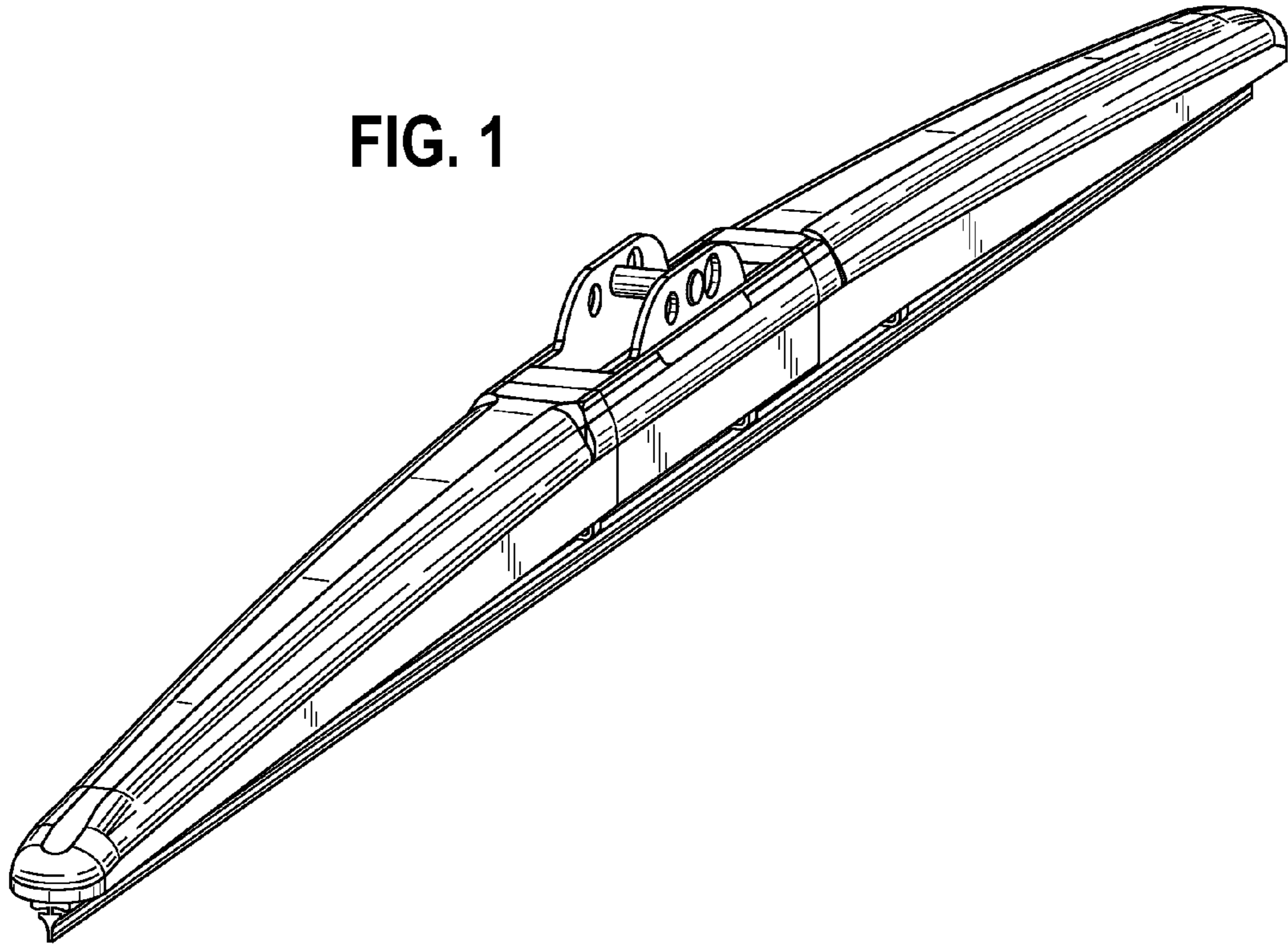


FIG. 2

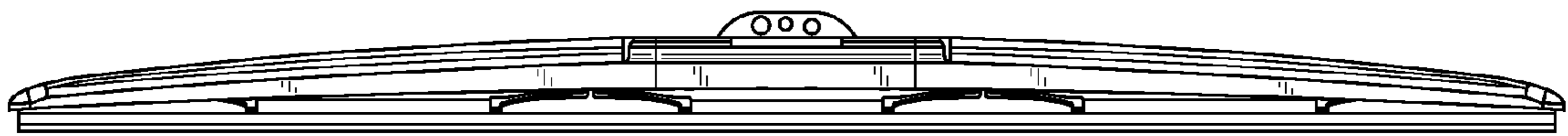


FIG. 3

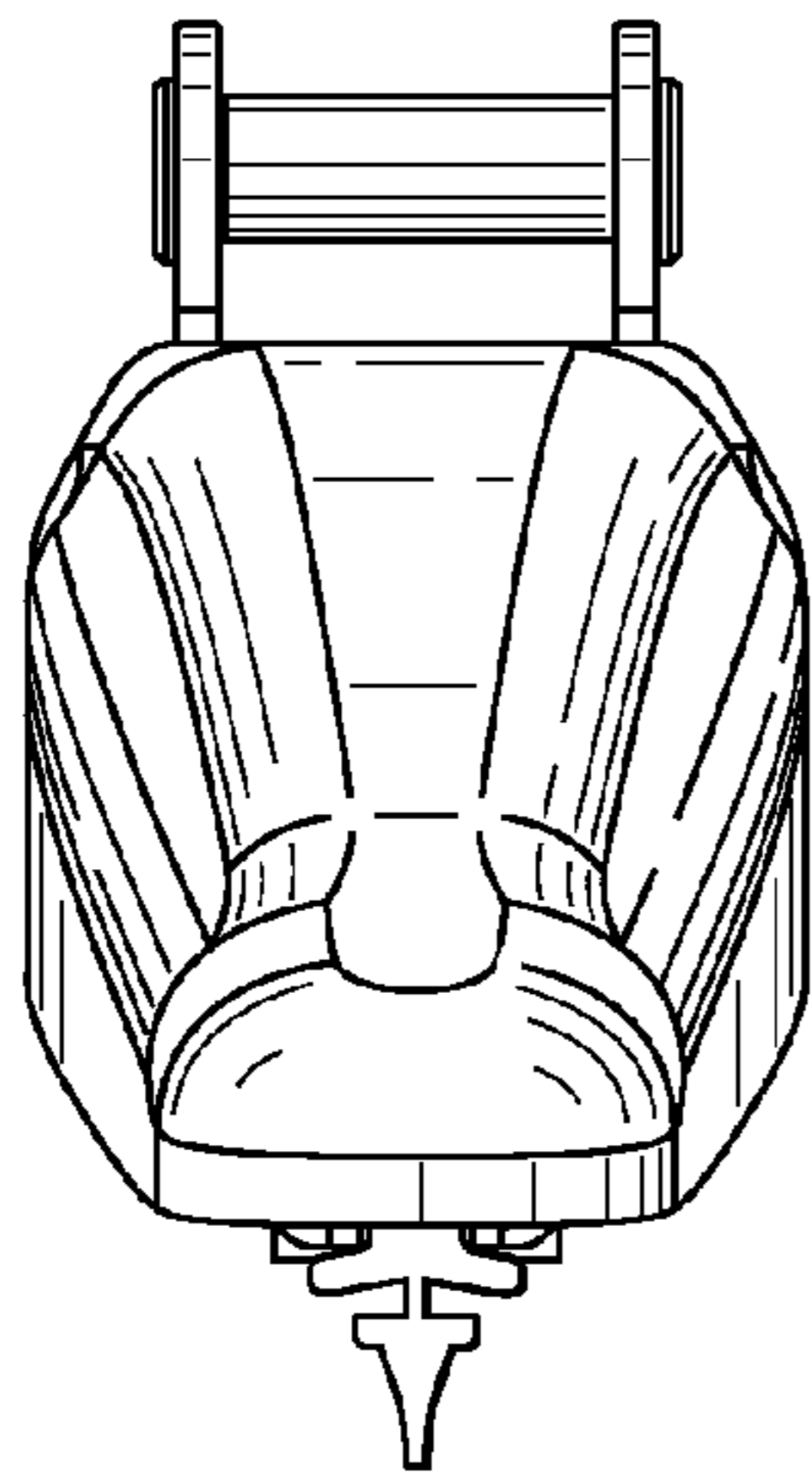


FIG. 4

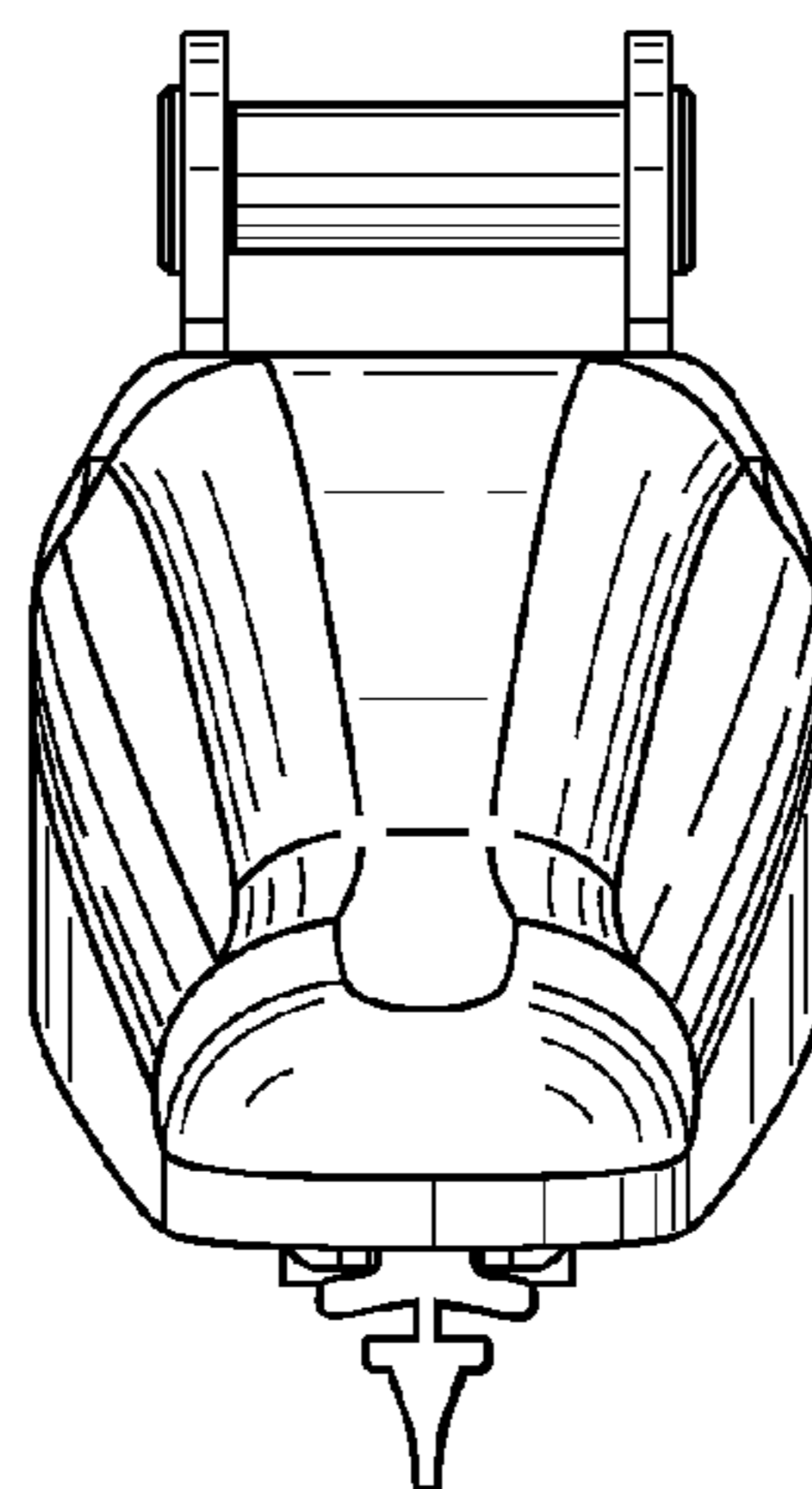


FIG. 5



FIG. 6

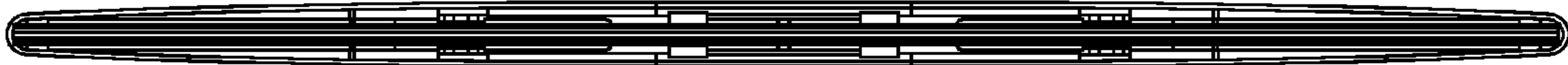


FIG. 7

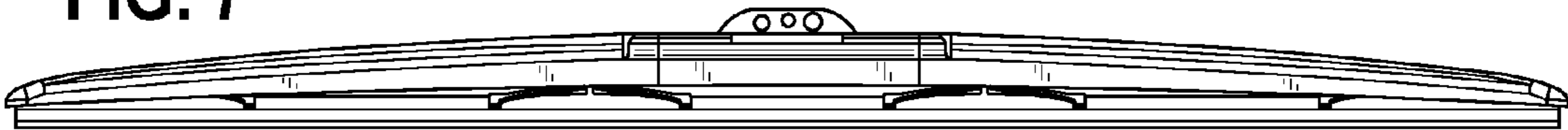


FIG. 8

