



US00D680050S

(12) **United States Design Patent**  
**Peschiutta**

(10) **Patent No.:** **US D680,050 S**  
(45) **Date of Patent:** **\*\* Apr. 16, 2013**

(54) **ROAD WHEEL ORNAMENT**

(75) Inventor: **Mark Peschiutta**, Rochester Hills, MI (US)

(73) Assignee: **Ford Global Technologies, LLC**, Dearborn, MI (US)

(\*\*) Term: **14 Years**

(21) Appl. No.: **29/394,684**

(22) Filed: **Jun. 20, 2011**

**Related U.S. Application Data**

(63) Continuation-in-part of application No. 12/787,384, filed on May 25, 2010, and a continuation-in-part of application No. 29/369,275, filed on Sep. 4, 2010, now Pat. No. Des. 642,107.

(51) **LOC (9) Cl.** ..... **12-16**

(52) **U.S. Cl.**  
USPC ..... **D12/213**

(58) **Field of Classification Search** ..... D12/204-213;  
301/37.102, 37.107-37.108, 37.25, 37.23,  
301/37.42, 37.31, 37.371

See application file for complete search history.

(56) **References Cited**

**U.S. PATENT DOCUMENTS**

5,078,453 A 1/1992 Siwek  
5,494,336 A 2/1996 Russell

(Continued)

**FOREIGN PATENT DOCUMENTS**

JP 4203639 7/1992  
JP 4314601 11/1992

(Continued)

**OTHER PUBLICATIONS**

“Motionlite retractable wheel puts the spotlight on your dubs”, Website, Apr. 6, 2010, 18 pages, <http://www.autoblog.com/2010/04/06/motionlite-retractable-wheel-puts-the-spotlight-on-your-dubs/>.

(Continued)

*Primary Examiner* — Stacia Cadmus

(74) *Attorney, Agent, or Firm* — Raymond L. Coppiellie; Just Intellectuals, PLLC

(57) **CLAIM**

The ornamental design for a road wheel ornament, as shown and described.

**DESCRIPTION**

FIG. 1 is a front view of a road wheel ornament shown on a wheel on a side of a vehicle with other ornaments.

FIG. 2 is an enlarged front view of the road wheel ornament of FIG. 1 with the wheel partially shown.

FIG. 3 is a perspective view of the road wheel ornament of FIG. 2 with the wheel partially shown.

FIG. 4 is a front view of the road wheel ornament.

FIG. 5 is a left side view of the road wheel ornament of FIG. 4.

FIG. 6 is a rear view of the road wheel ornament of FIG. 4.

FIG. 7 is a perspective view of the road wheel ornament of FIG. 4; and,

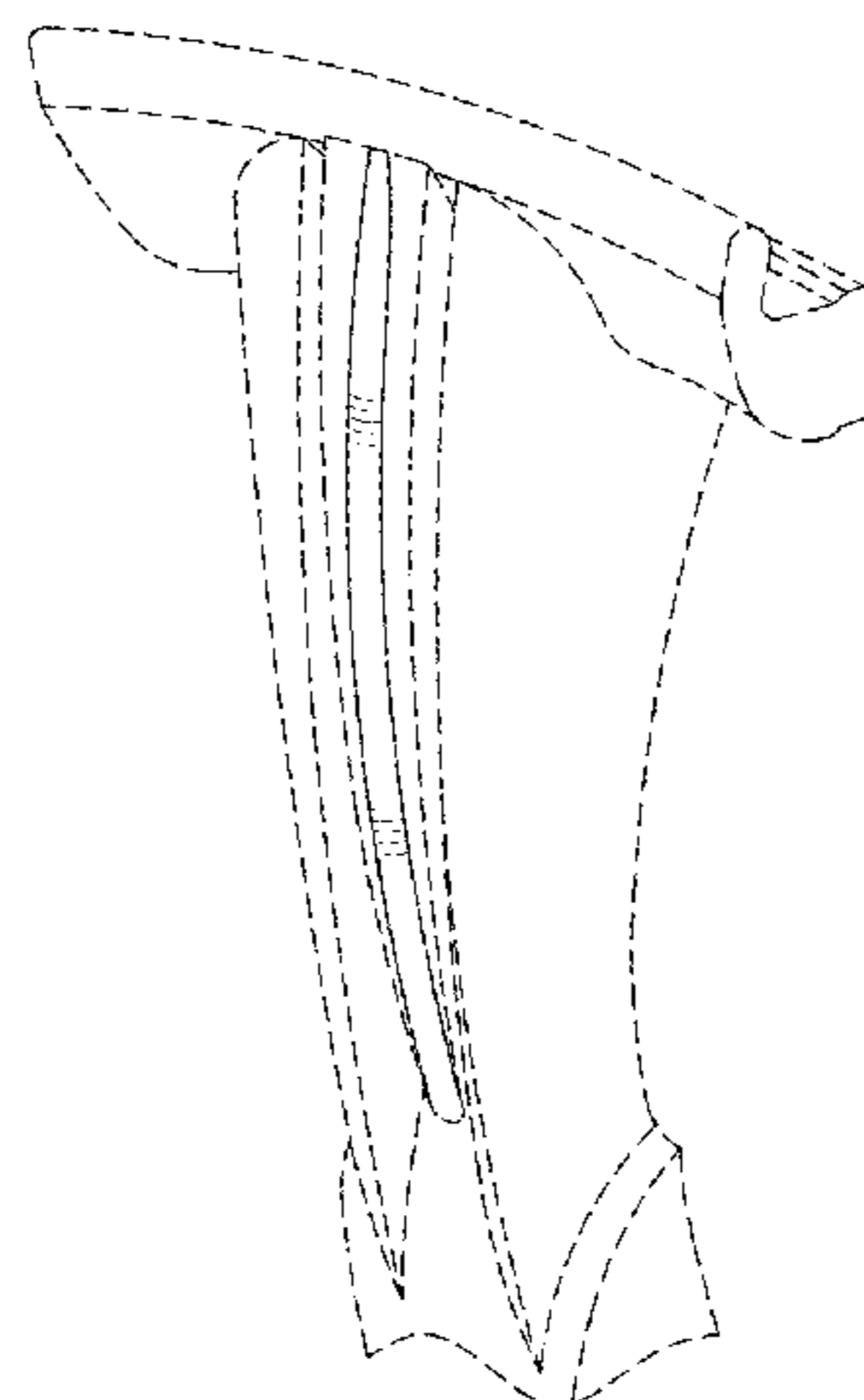
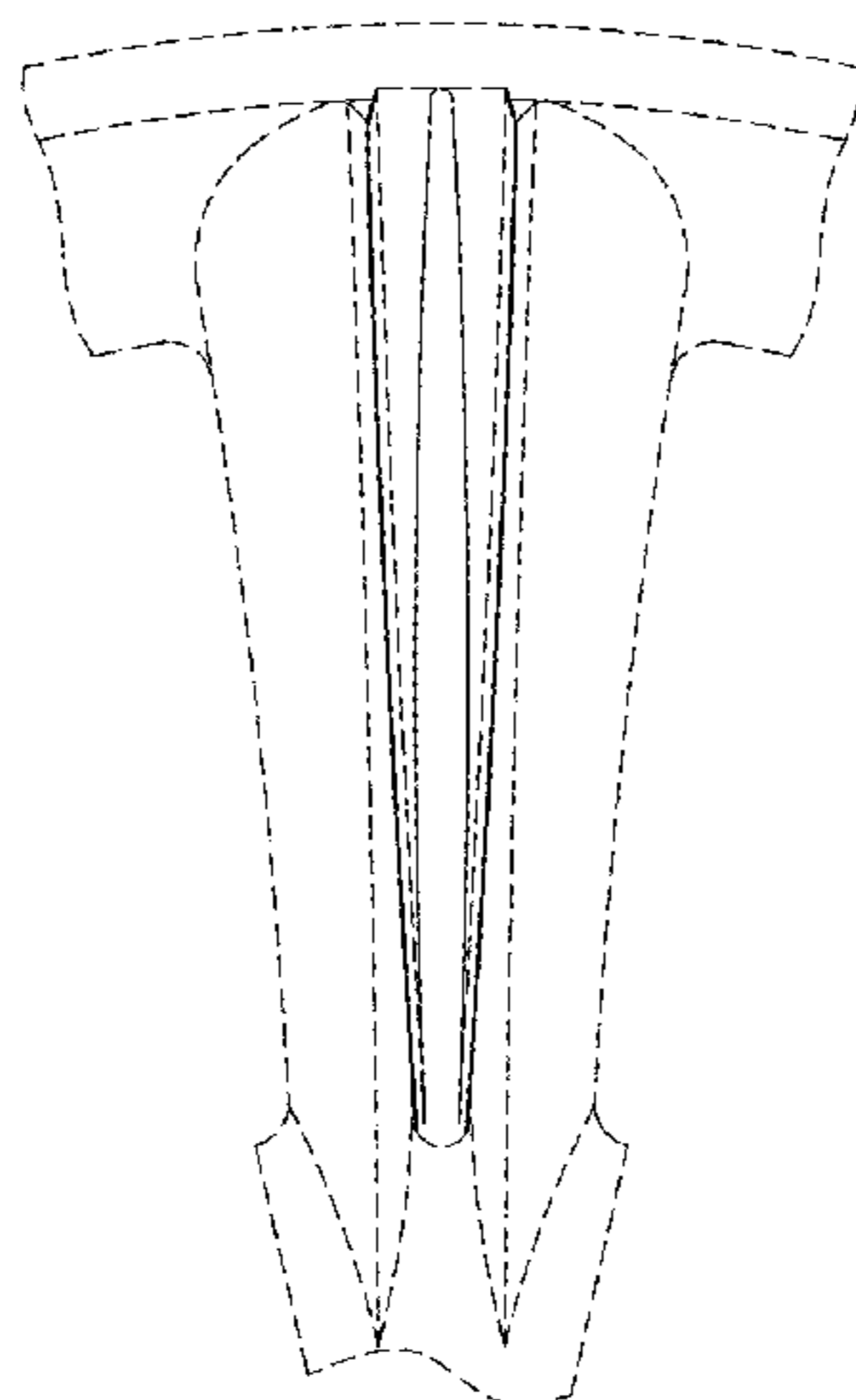
FIG. 8 is rear perspective view of the road wheel ornament of FIG. 4.

The broken lines, showing of environmental structure in the figures, is for illustrative purposes only and forms no part of the claimed design. Specifically, the broken lines shown in FIG. 1 illustrate a side body panel of the vehicle, a front fascia, a tire and unclaimed wheel ornaments. The broken lines in FIGS. 2 and 3 illustrate a wheel, partially shown, to which the ornament attaches.

The road wheel ornament is shown on a further enlarged scale in FIGS. 2 and 3 as compared with FIG. 1.

The road wheel ornament is shown on a further enlarged scale in FIGS. 4-8 as compared with FIGS. 1-3.

**1 Claim, 2 Drawing Sheets**



# US D680,050 S

Page 2

## U.S. PATENT DOCUMENTS

D406,093 S \* 2/1999 Wissen ..... D12/213  
D437,276 S 2/2001 Hodges  
6,517,168 B1 2/2003 Van Houten  
D477,558 S \* 7/2003 Brintouch ..... D12/211  
D481,346 S \* 10/2003 Vian ..... D12/211  
6,688,703 B1 2/2004 Wang  
6,799,810 B1 10/2004 Wang  
D504,375 S 4/2005 Hussaini  
D505,103 S \* 5/2005 Bentley ..... D12/213  
D510,555 S 10/2005 Fowlkes  
D524,216 S \* 7/2006 Scheu ..... D12/211  
D532,738 S \* 11/2006 Ettensberger ..... D12/211  
D567,730 S 4/2008 Polka  
D567,731 S 4/2008 Polka  
D568,227 S \* 5/2008 Bogani ..... D12/213  
D576,095 S \* 9/2008 Chung ..... D12/211  
D578,459 S \* 10/2008 Hetrick ..... D12/211  
7,452,037 B1 11/2008 Nunes  
D589,427 S 3/2009 Scheu  
D591,663 S \* 5/2009 Chung ..... D12/211  
D593,018 S 5/2009 Juergens  
D595,203 S 6/2009 Rak  
D617,251 S \* 6/2010 Zhao ..... D12/211  
D618,607 S \* 6/2010 Hilpert ..... D12/211

D620,425 S \* 7/2010 Zhao ..... D12/211  
D623,114 S \* 9/2010 Geisler ..... D12/211  
D625,244 S \* 10/2010 Zhao ..... D12/211  
D642,107 S \* 7/2011 Peschiutta ..... D12/213  
2007/0018496 A1 1/2007 McCorquodale  
2008/0272642 A1 11/2008 Hsiao  
2008/0303338 A1 12/2008 Takeda  
2009/0127920 A1 5/2009 Takeda

## FOREIGN PATENT DOCUMENTS

JP 2006218890 8/2006  
JP 2008247131 10/2008

## OTHER PUBLICATIONS

You Tube results page for “dubs wheels illuminating”, Website, May 25, 2010, 2 pages, [http://www.google.com/webhp?sourceid=navclient&ie=UTF-8#q=dubs+wheels+illuminating&hl=en&rlz=1R2ADRA\\_enUS353&prmd=v&source=univ&tbs=vid:1&tbo=u&ei=aDb8S-bjCoWMNv-s0ckB&sa=X&oi=video\\_result\\_group&ct=title&resnum=4&ved=0CC4QqwQwAw&fp=3323078eec0754e](http://www.google.com/webhp?sourceid=navclient&ie=UTF-8#q=dubs+wheels+illuminating&hl=en&rlz=1R2ADRA_enUS353&prmd=v&source=univ&tbs=vid:1&tbo=u&ei=aDb8S-bjCoWMNv-s0ckB&sa=X&oi=video_result_group&ct=title&resnum=4&ved=0CC4QqwQwAw&fp=3323078eec0754e).

\* cited by examiner

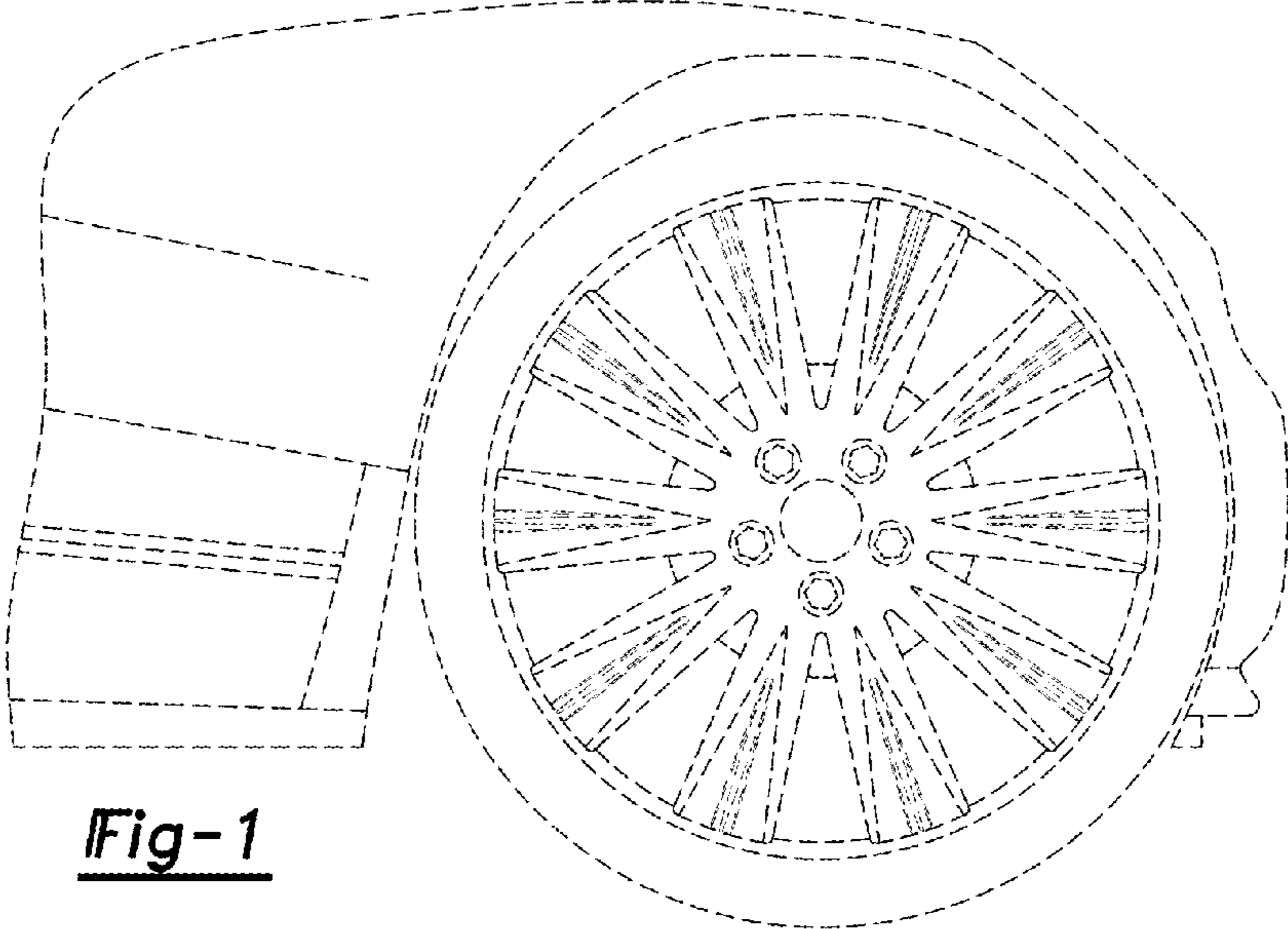


Fig-1

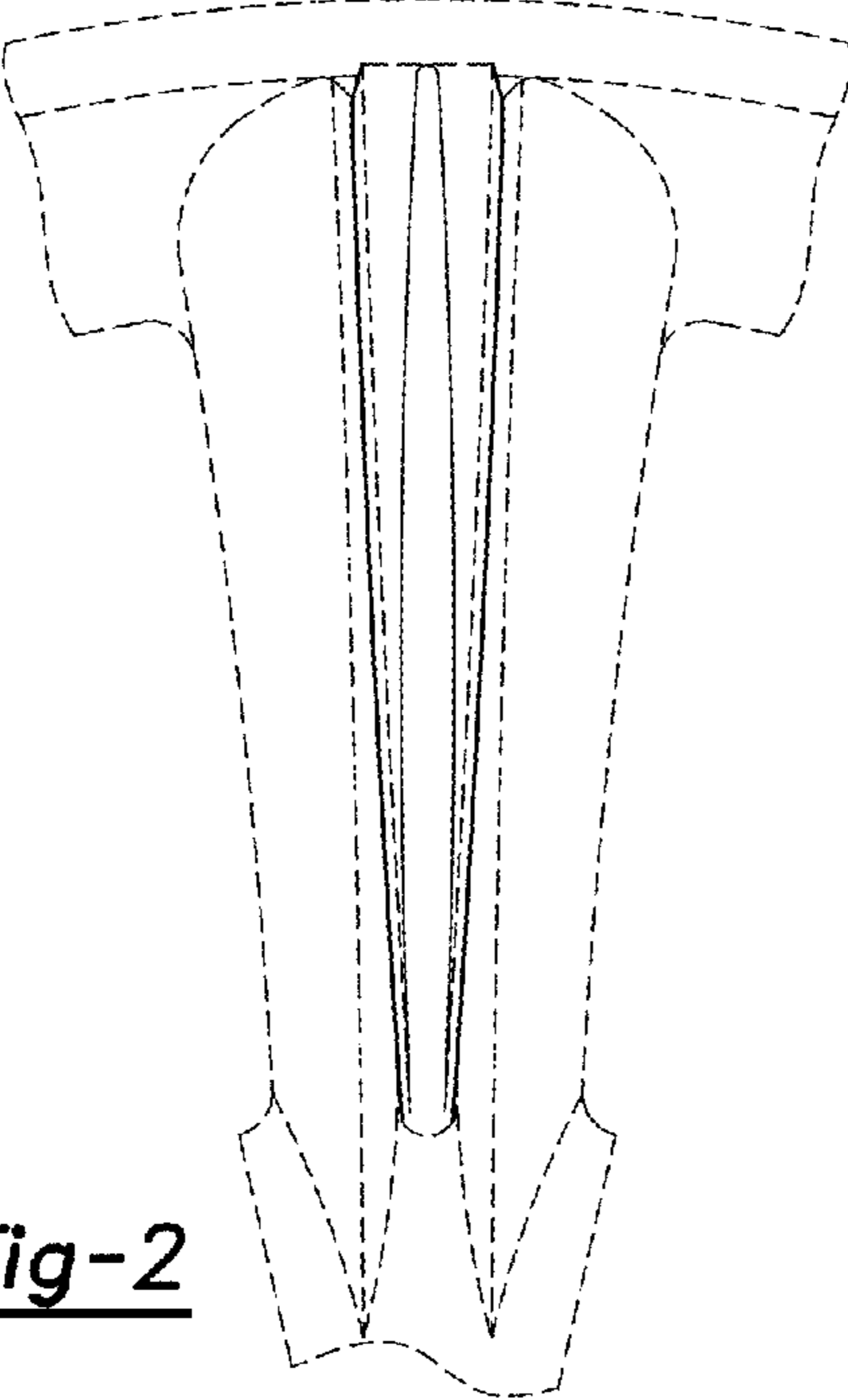


Fig-2

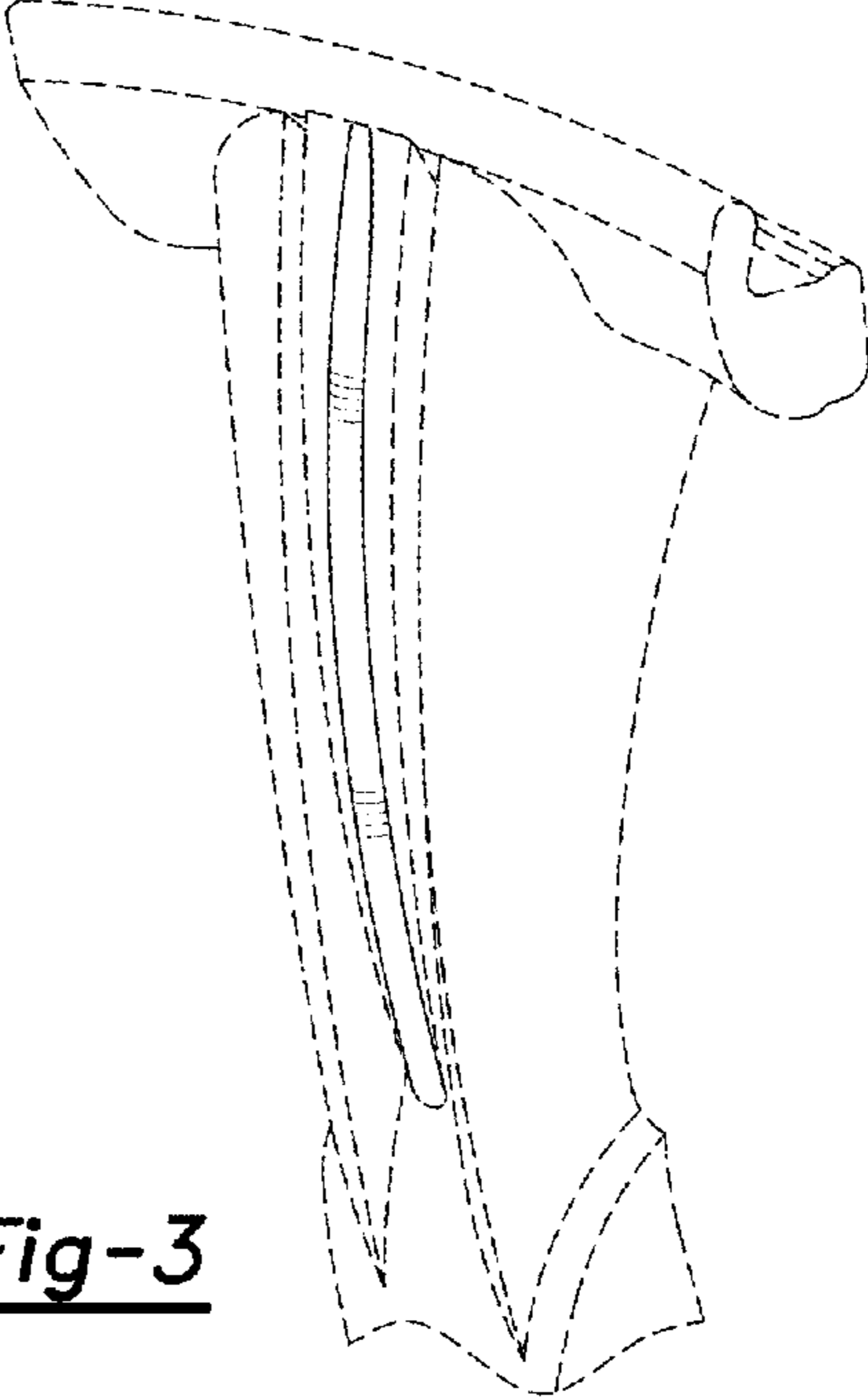


Fig-3

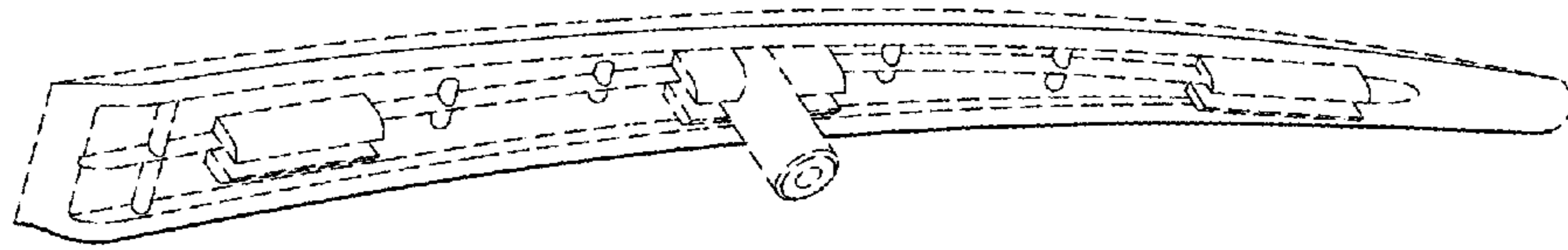


Fig-8

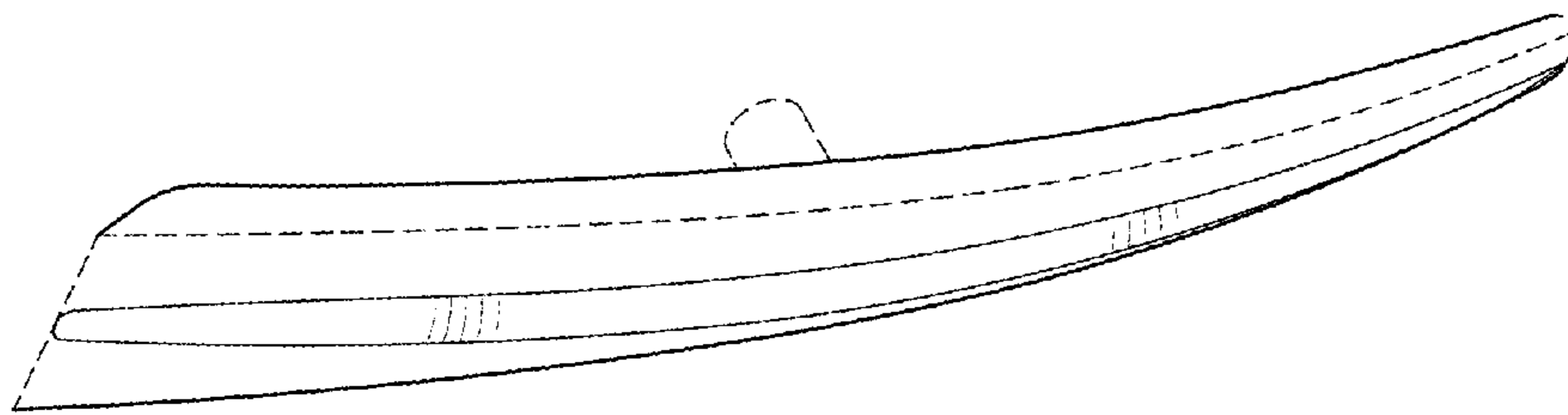


Fig-7

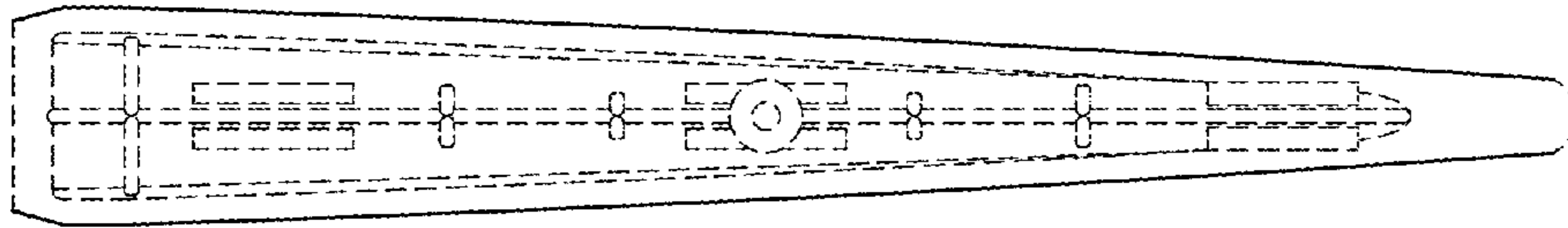


Fig-6

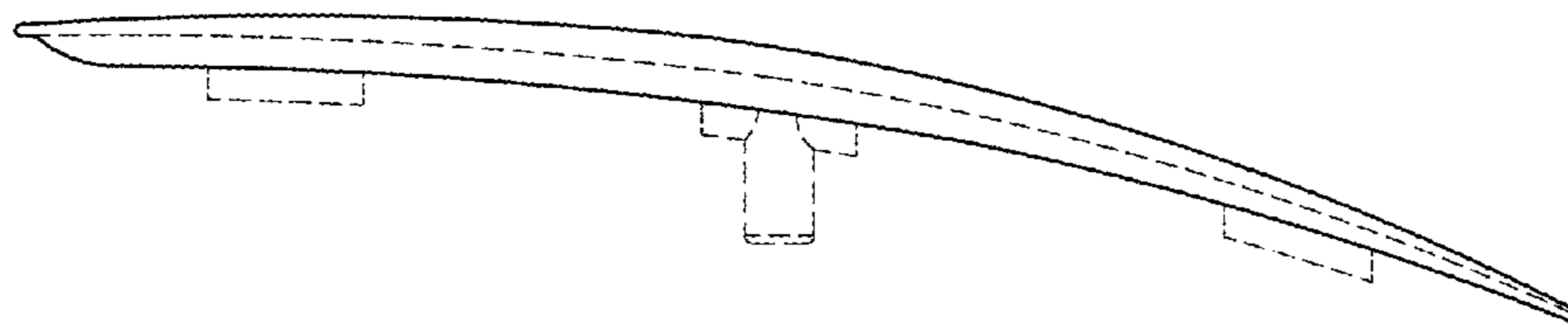


Fig-5

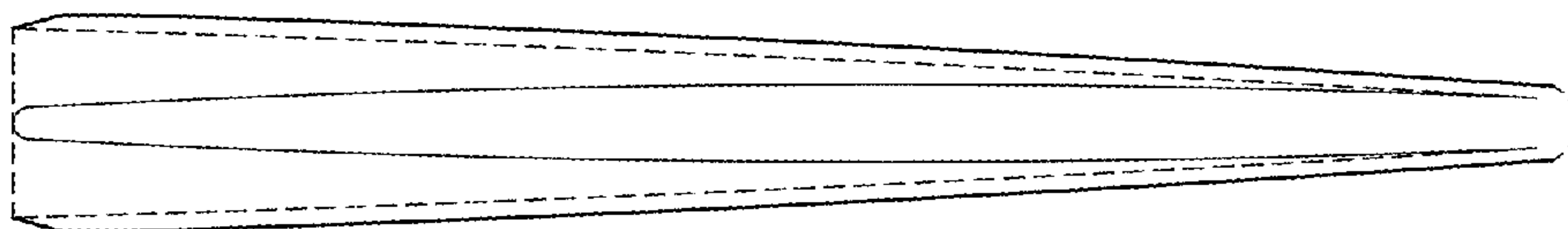


Fig-4