



US00D680044S

(12) **United States Design Patent**
Yamade

(10) **Patent No.:** **US D680,044 S**

(45) **Date of Patent:** **** Apr. 16, 2013**

(54) **FIT UP PIN FOR AUTOMOTIVE GLASS**

(75) Inventor: **Masanori Yamade**, Vonore, TN (US)

(73) Assignee: **Central Glass Co., Ltd.**, Ube-Shi (JP)

(**) Term: **14 Years**

(21) Appl. No.: **29/407,435**

(22) Filed: **Nov. 29, 2011**

(51) **LOC (9) Cl.** **12-08**

(52) **U.S. Cl.**
USPC **D12/182**

(58) **Field of Classification Search** D12/182-183,
D12/317; 296/84.1, 77.1, 96.12, 96.19, 97.1,
296/95.1; 160/370.21, 370.22; 219/203
See application file for complete search history.

(56) **References Cited**

U.S. PATENT DOCUMENTS

D468,680	S	*	1/2003	Lee et al.	D12/317
D515,010	S	*	2/2006	Zeiger	D12/317
D517,975	S	*	3/2006	Zeiger	D12/317
D562,753	S	*	2/2008	Wall et al.	D12/317
D562,754	S	*	2/2008	Wall et al.	D12/317
2007/0262582	A1	*	11/2007	Williams	285/404

2008/0050217	A1	*	2/2008	Rice et al.	414/800
2008/0051925	A1	*	2/2008	Rice et al.	700/121
2011/0215568	A1	*	9/2011	Webb	285/330

* cited by examiner

Primary Examiner — Katrina A Betton

(74) *Attorney, Agent, or Firm* — Manabu Kanesaka

(57) **CLAIM**

The ornamental design for a fit up pin for automotive glass, as shown and described.

DESCRIPTION

FIG. 1 is a front view of a fit up pin for automotive glass showing my new design;
FIG. 2 is a rear view thereof;
FIG. 3 is a plan view thereof;
FIG. 4 is a bottom view thereof;
FIG. 5 is a right side view thereof;
FIG. 6 is a left side view thereof;
FIG. 7 is an enlarged cross sectional view thereof taken along the line 7-7 in FIG. 1; and,
FIG. 8 is a perspective view thereof.
The broken lines depict portions of the fit up pin for automotive glass that form no part of claimed design.

1 Claim, 4 Drawing Sheets

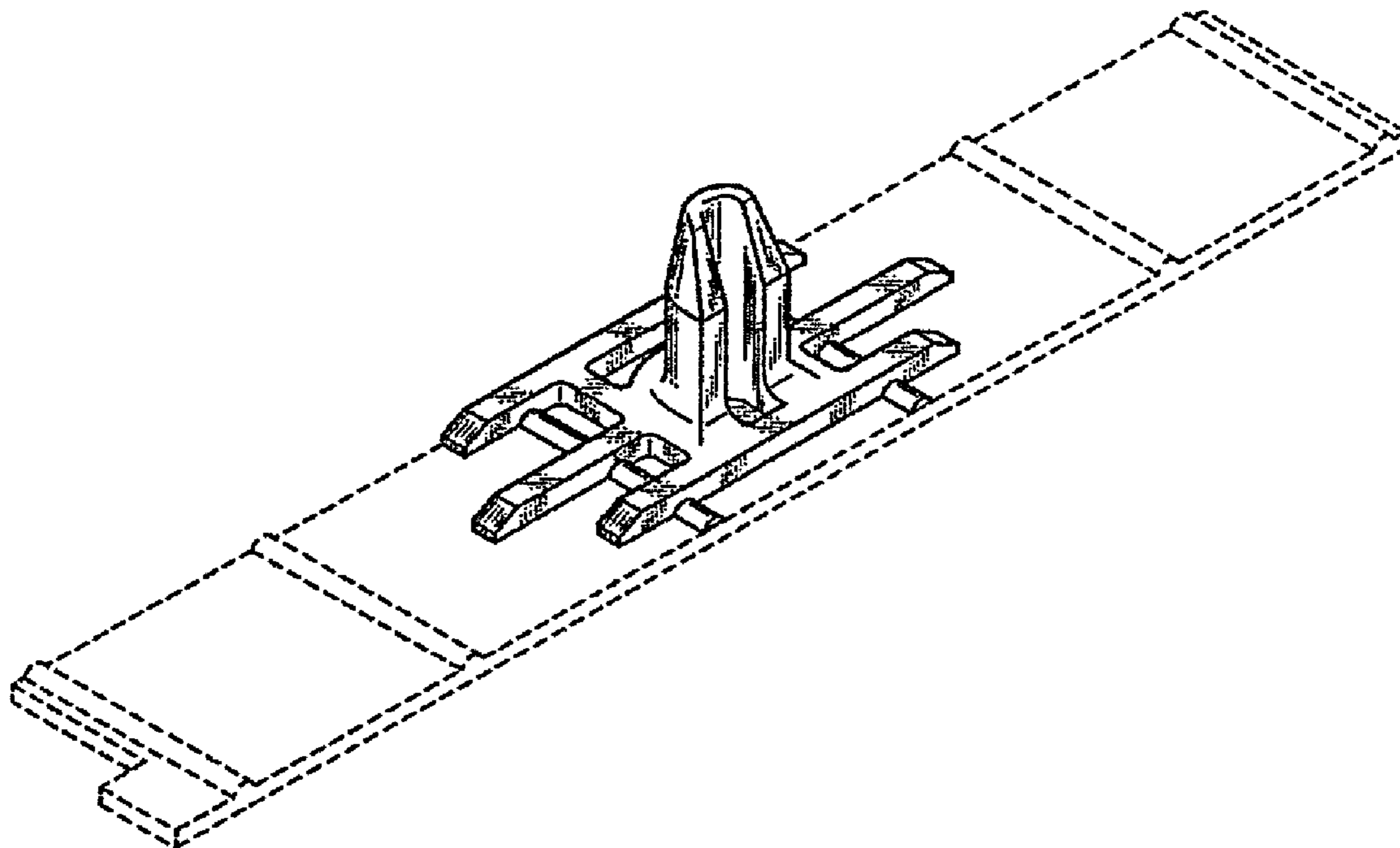


FIG. 1

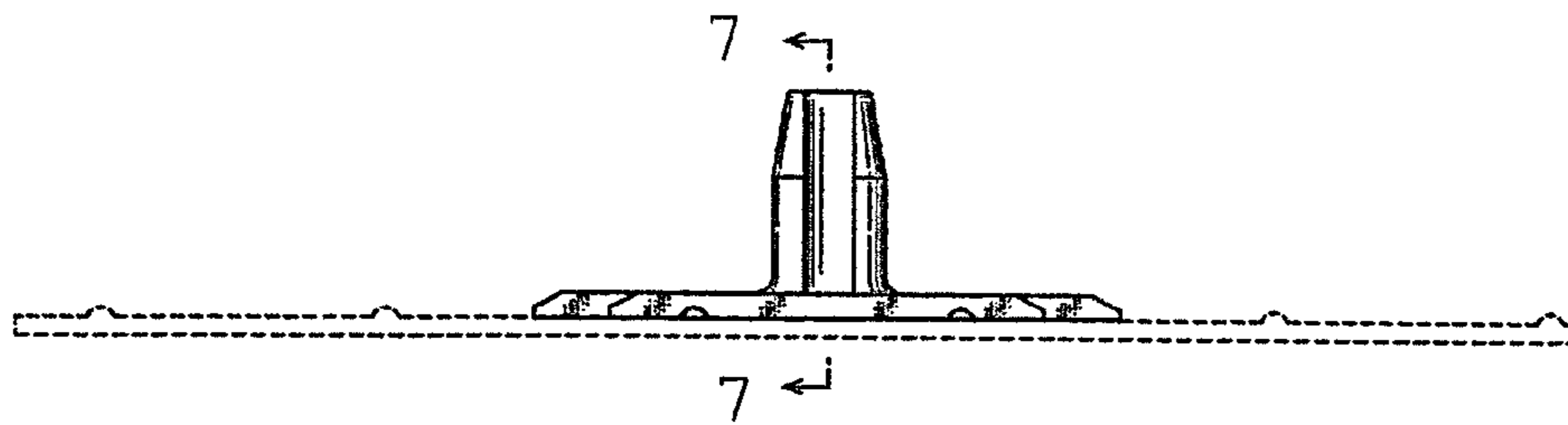


FIG. 2

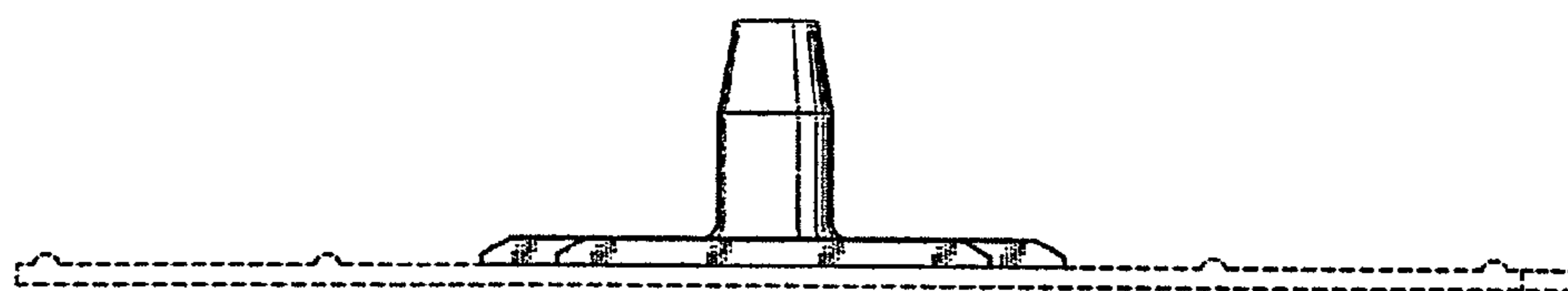


FIG. 3

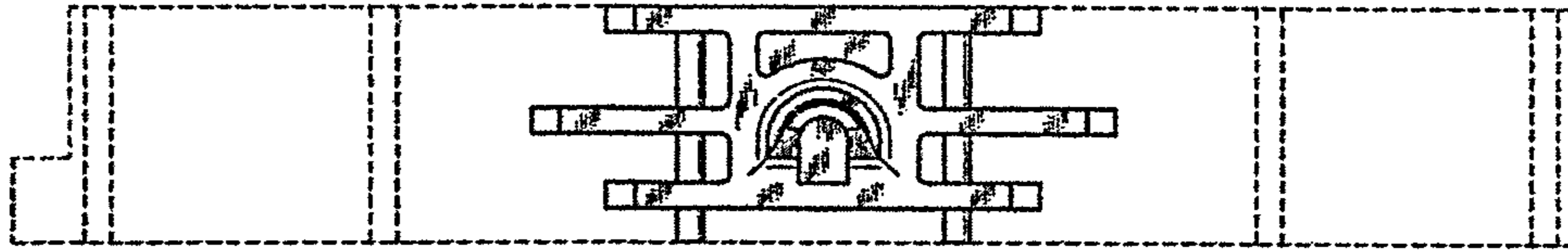


FIG. 4



FIG. 5

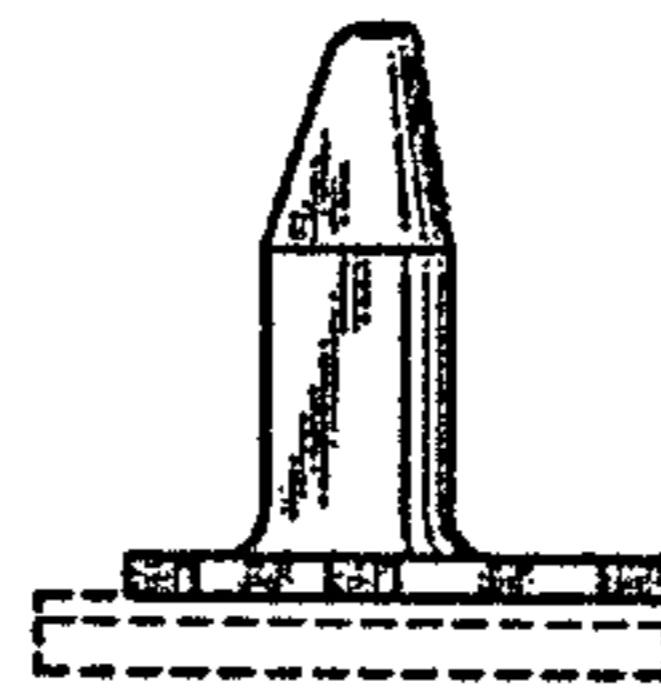


FIG. 6

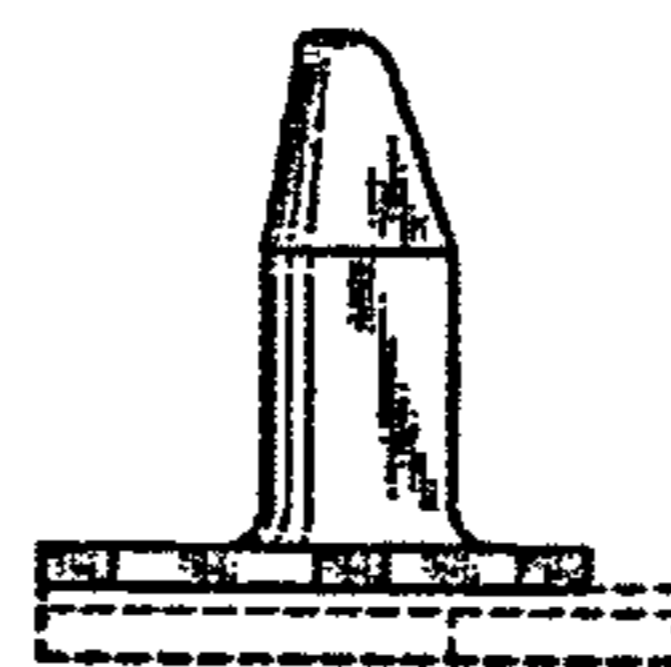


FIG. 7

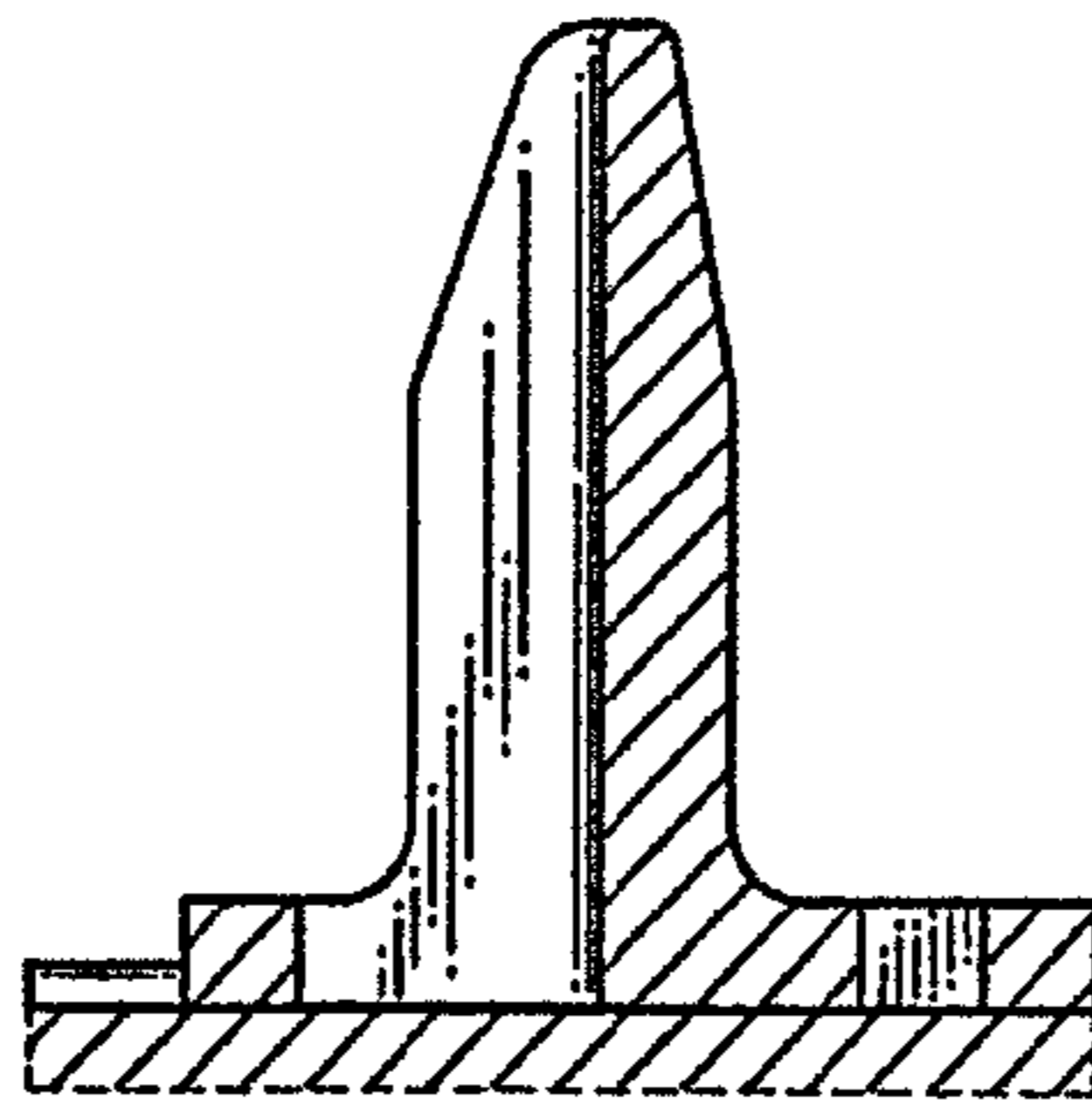


FIG. 8

