



US00D680042S

(12) **United States Design Patent**
Owyang

(10) **Patent No.:** **US D680,042 S**

(45) **Date of Patent:** **** Apr. 16, 2013**

(54) **LEVER FOR MOTORIZED VEHICLE**

D573,926 S * 7/2008 Jones D12/179
D573,927 S * 7/2008 Jones D12/179
7,497,309 B2 * 3/2009 Chen 188/344

(76) Inventor: **Mon Spencer Owyang**, Capitola, CA
(US)

* cited by examiner

(**) Term: **14 Years**

Primary Examiner — Susan M Lee

Assistant Examiner — Linda G. Brooks

(21) Appl. No.: **29/407,464**

(74) *Attorney, Agent, or Firm* — Roeder & Broder LLP;
James P. Broder

(22) Filed: **Nov. 29, 2011**

(57) **CLAIM**

(51) **LOC (9) Cl.** **12-11**

The ornamental design for a lever for motorized vehicle, as shown and described.

(52) **U.S. Cl.**

USPC **D12/179**

DESCRIPTION

(58) **Field of Classification Search** D12/179,
D12/180, 110, 111, 107; 74/486–489, 502.2,
74/551.7–551.9, 473.12–473.14, 519, 522–525,
74/491; 188/24.11–24.22, 344, 359, 2 D
See application file for complete search history.

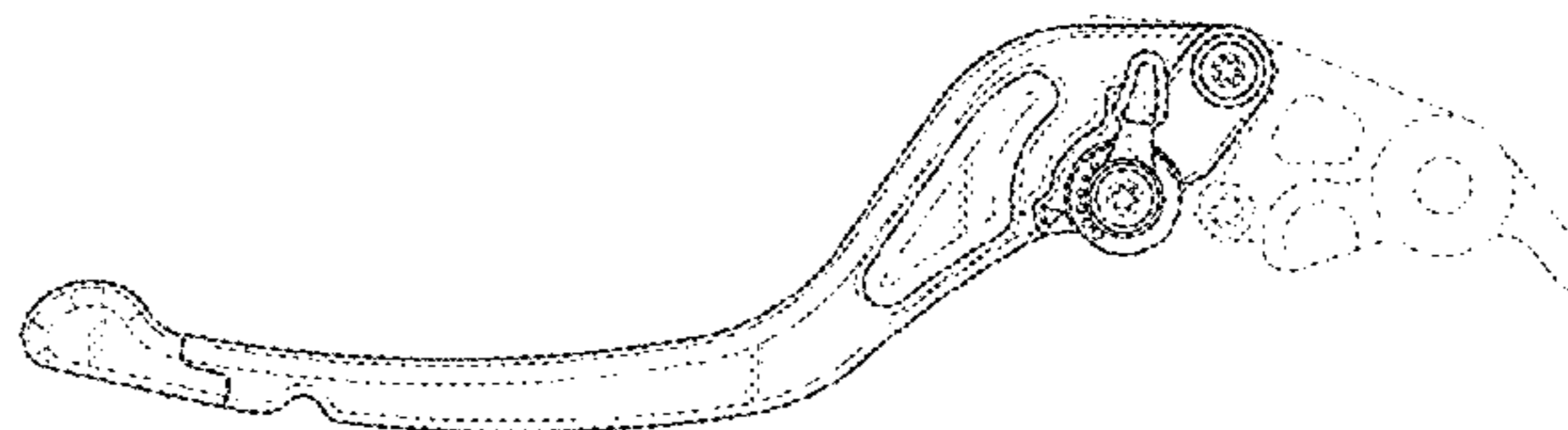
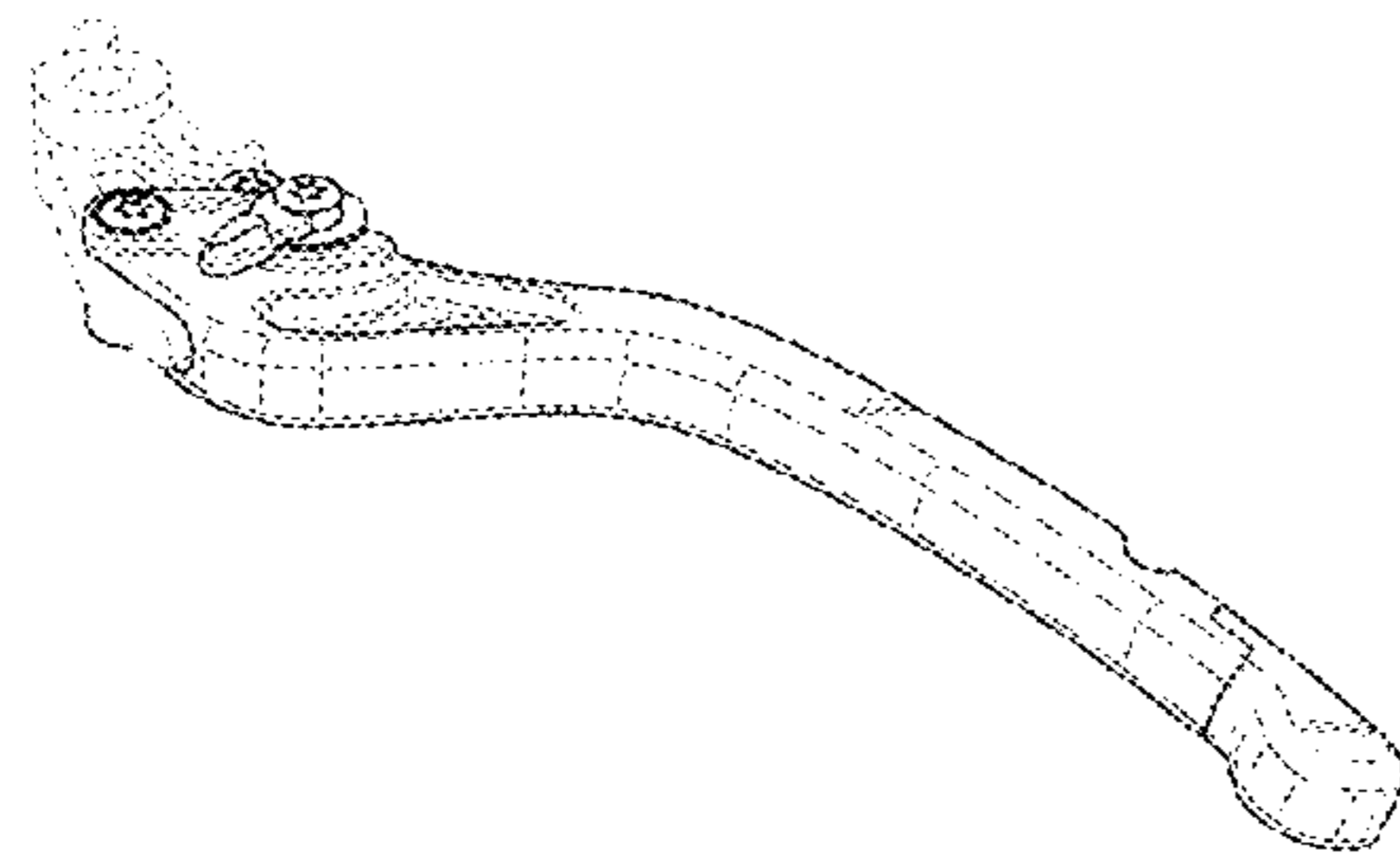
FIG. 1 is a top perspective view of my new design for a lever for a motorized vehicle, with a lever holder which forms no part of the claimed design illustrated in broken lines;
FIG. 2 is a top view of FIG. 1;
FIG. 3 is a front elevation view of FIG. 1;
FIG. 4 is a rear elevation view of FIG. 1;
FIG. 5 is a bottom view of FIG. 1;
FIG. 6 is an end view of the lever for a motorized vehicle taken from the right side of FIG. 3; and,
FIG. 7 is an end view of the lever for a motorized vehicle taken from the left side of FIG. 3.

(56) **References Cited**

U.S. PATENT DOCUMENTS

D382,842 S * 8/1997 Nishimura D12/179
D425,464 S * 5/2000 Sands D12/179
D473,830 S * 4/2003 Ito et al. D12/179
D521,427 S * 5/2006 Tsai D12/179
D543,913 S * 6/2007 Hanamura D12/179

1 Claim, 4 Drawing Sheets



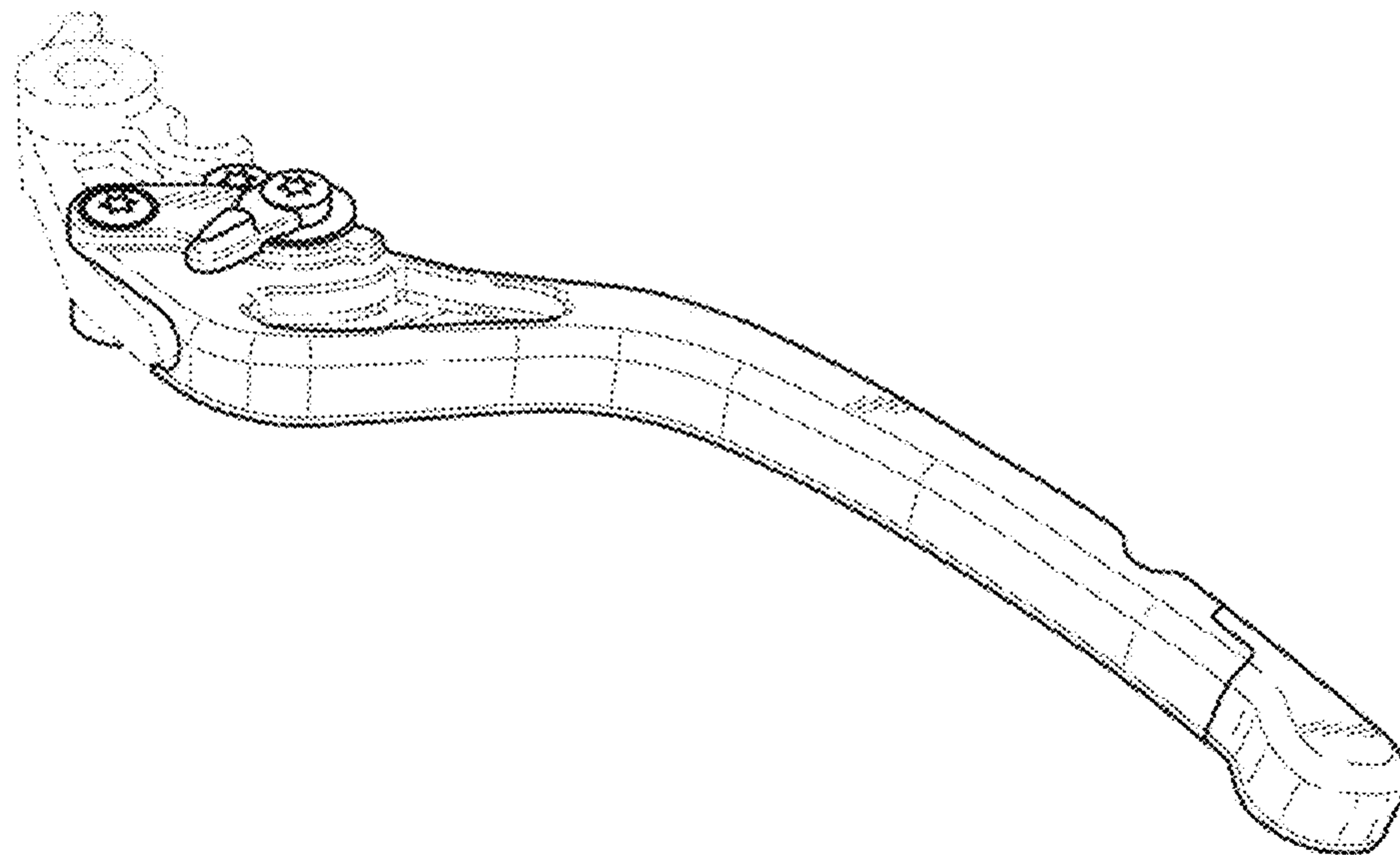


FIG. 1

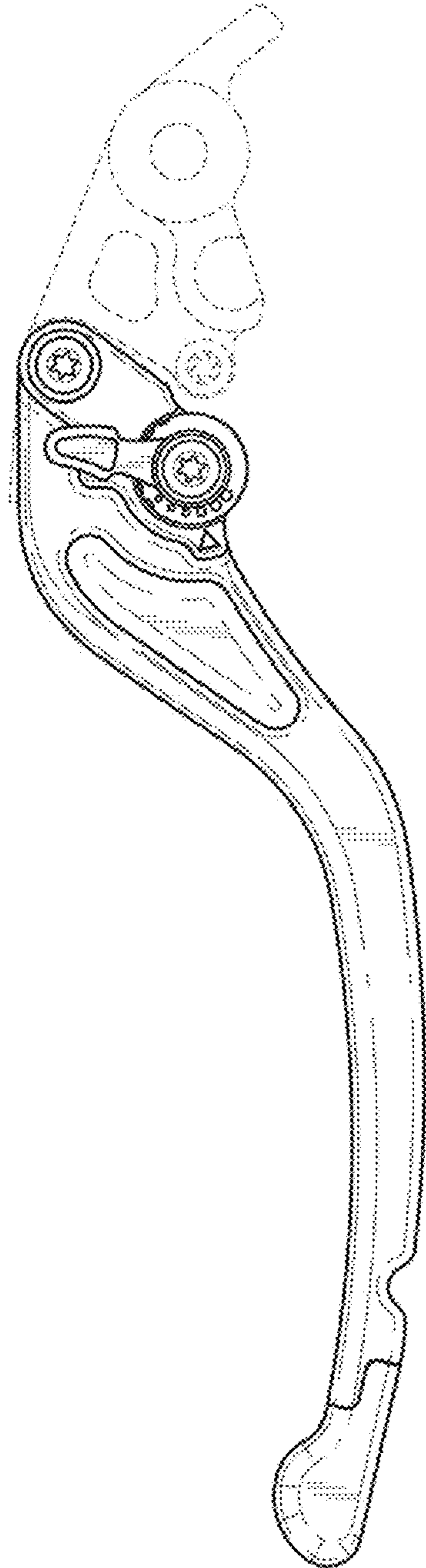


FIG. 2

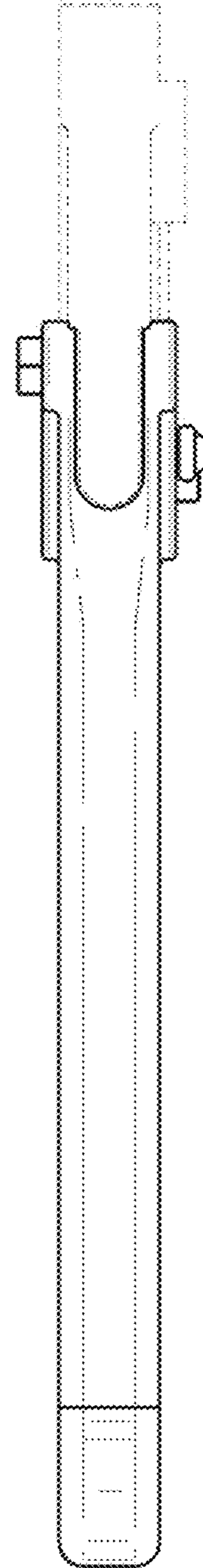


FIG. 3

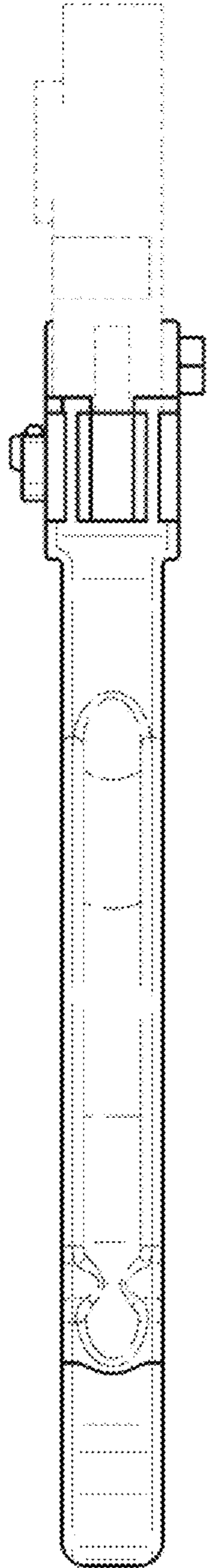


FIG. 4

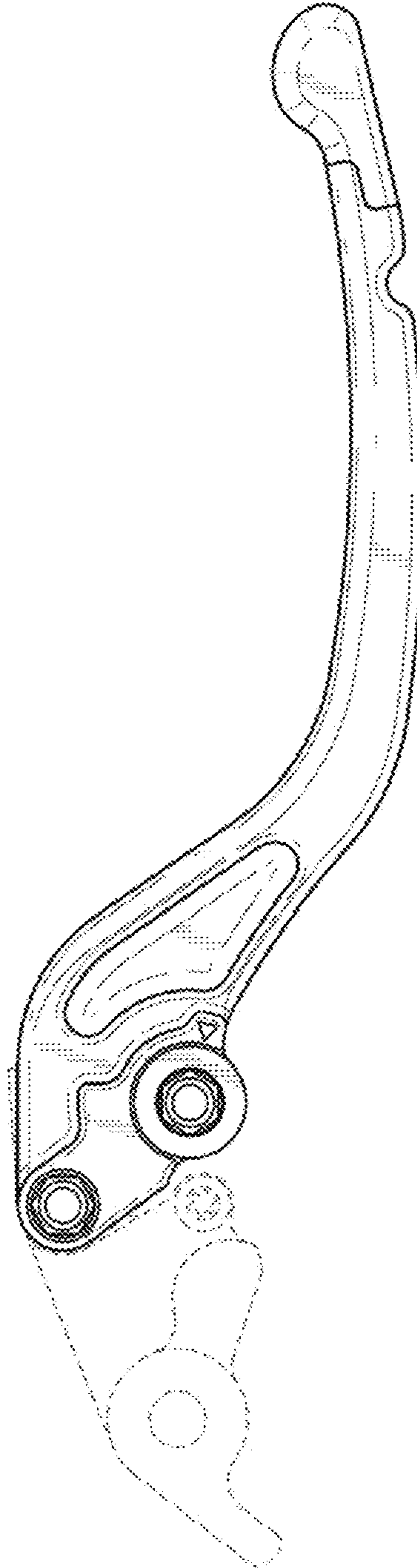


FIG. 5

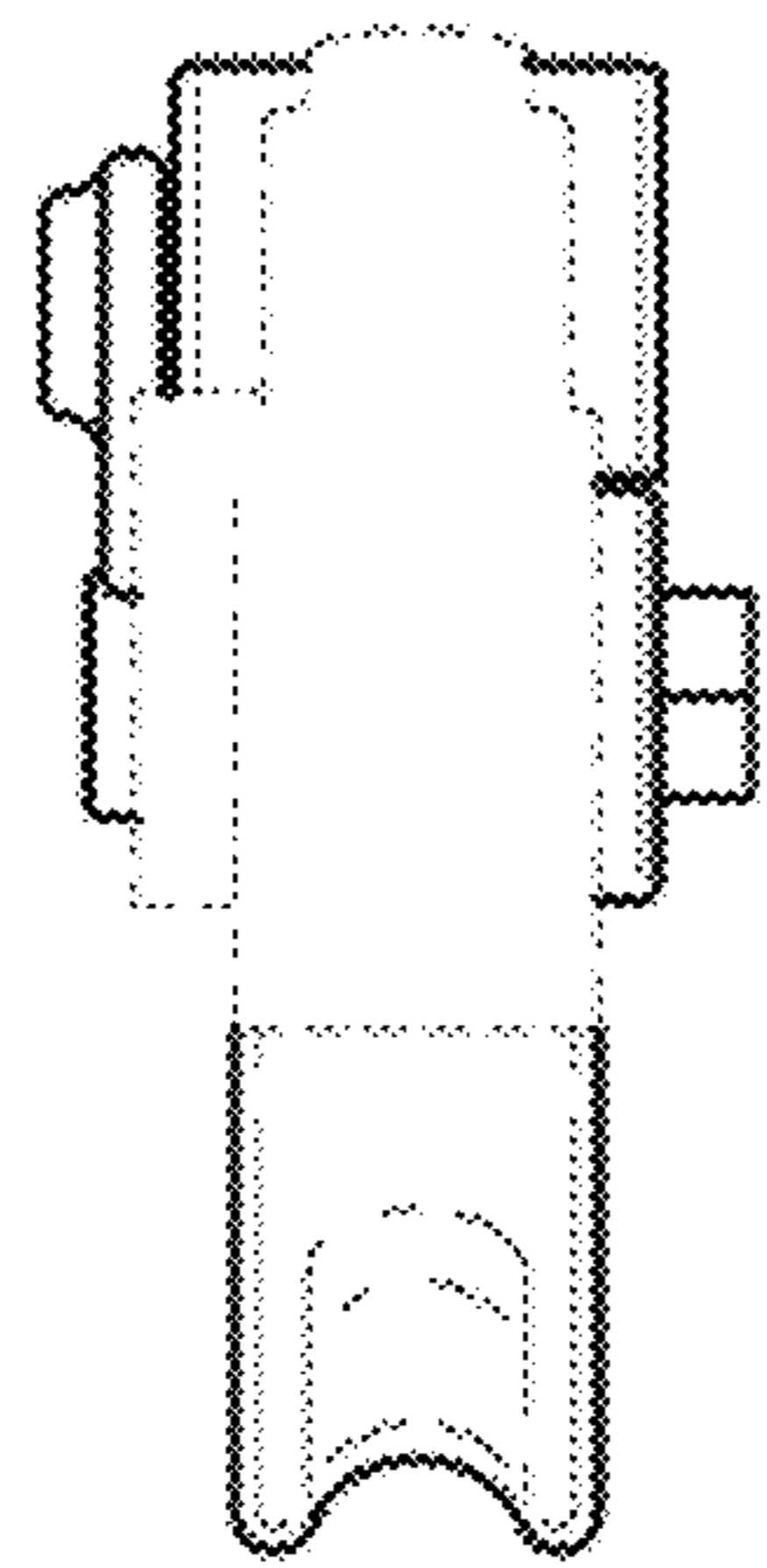


FIG. 6

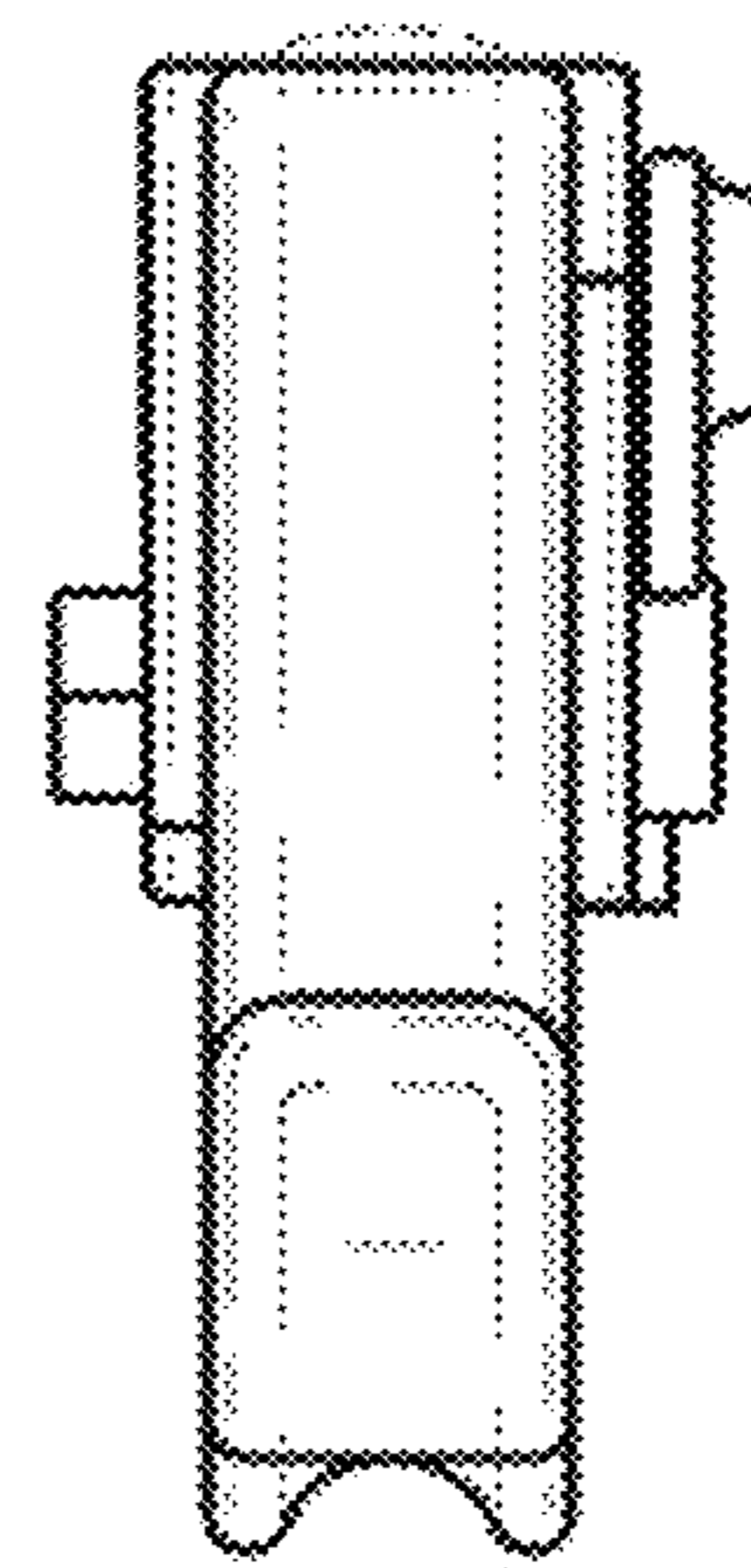


FIG. 7