



US00D680033S

(12) **United States Design Patent**
Behmer et al.

(10) **Patent No.:** **US D680,033 S**
(45) **Date of Patent:** **** Apr. 16, 2013**

(54) **VEHICLE FRONT LOWER GRILLE**

D624,469 S * 9/2010 Miyazawa D12/163
D626,897 S * 11/2010 Ectors et al. D12/163
D665,313 S * 8/2012 Asakura D12/163

(75) Inventors: **Darrell Paul Behmer**, Novi, MI (US);
Melvin Betancourt, Shelby Township,
MI (US); **Garen Nicoghosian**,
Bloomfield Hills, MI (US)

OTHER PUBLICATIONS

All About Cars And Trucks, Aug. 17, 2011, 2013 Ford Mustang Spy
Photos.
Motorauthority, Jun. 19, 2011, 2013 Ford Mustang Shelby GT500
spy shots.

(73) Assignee: **Ford Motor Company**, Dearborn, MI
(US)

* cited by examiner

(**) Term: **14 Years**

Primary Examiner — Melody N Brown

(21) Appl. No.: **29/406,112**

(74) *Attorney, Agent, or Firm* — Damian Porcari

(22) Filed: **Nov. 10, 2011**

(57) **CLAIM**

The ornamental design for a vehicle front lower grille, as
shown and described.

(51) **LOC (9) Cl.** **12-16**

DESCRIPTION

(52) **U.S. Cl.**
USPC **D12/163**

FIG. 1 is a top plan view of a vehicle front lower grille;
FIG. 2 is a bottom plan view of the vehicle front lower grille;
FIG. 3 is a front elevational view of the vehicle front lower
grille;
FIG. 4 is a left side elevational view of the vehicle front lower
grille;
FIG. 5 is a right side elevational view of the vehicle front
lower grille;
FIG. 6 is a perspective view of the vehicle front lower grille;
and,
FIG. 7 is another perspective view of the vehicle front lower
grille.

(58) **Field of Classification Search** D12/163,
D12/196, 171, 216, 169, 86, 90-92; 180/68.6,
180/68.1; 296/193.11

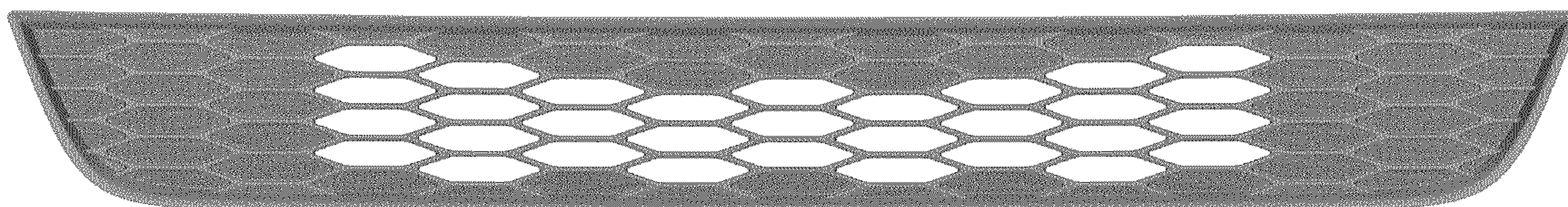
See application file for complete search history.

(56) **References Cited**

U.S. PATENT DOCUMENTS

D589,853 S 4/2009 Saridakis
D607,785 S * 1/2010 Walter et al. D12/163
D614,544 S * 4/2010 Ectors et al. D12/163

1 Claim, 7 Drawing Sheets



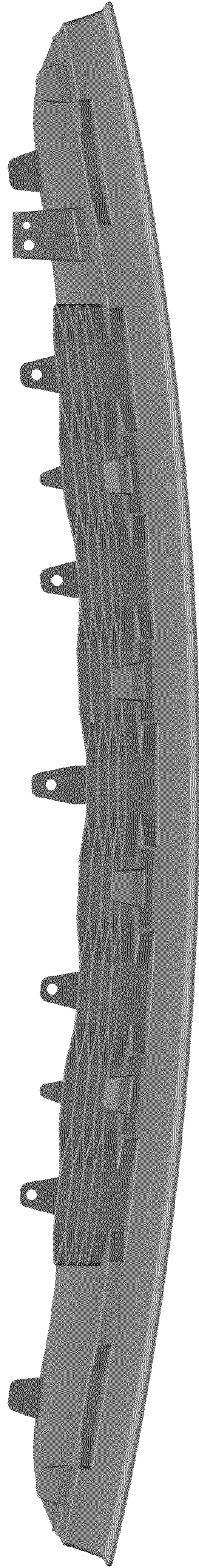
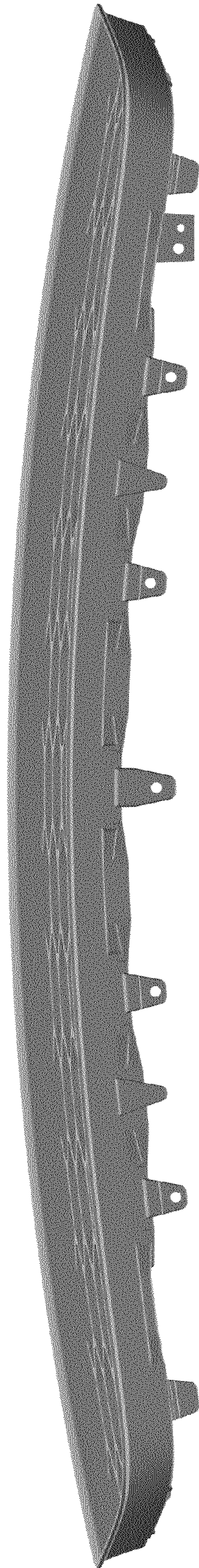


Figure 1

Figure 2



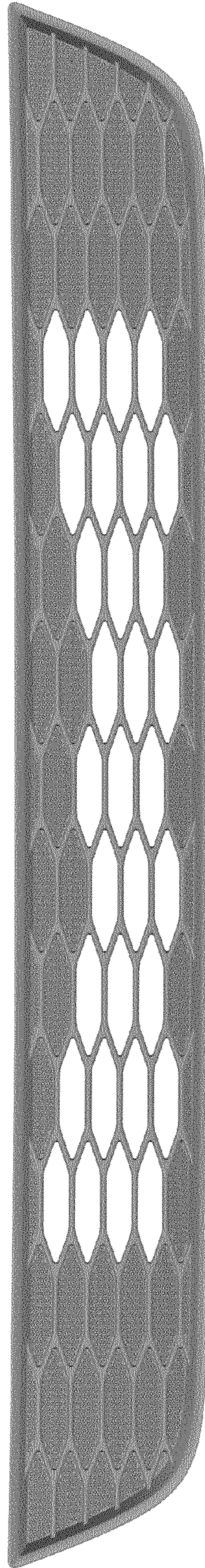


Figure 3

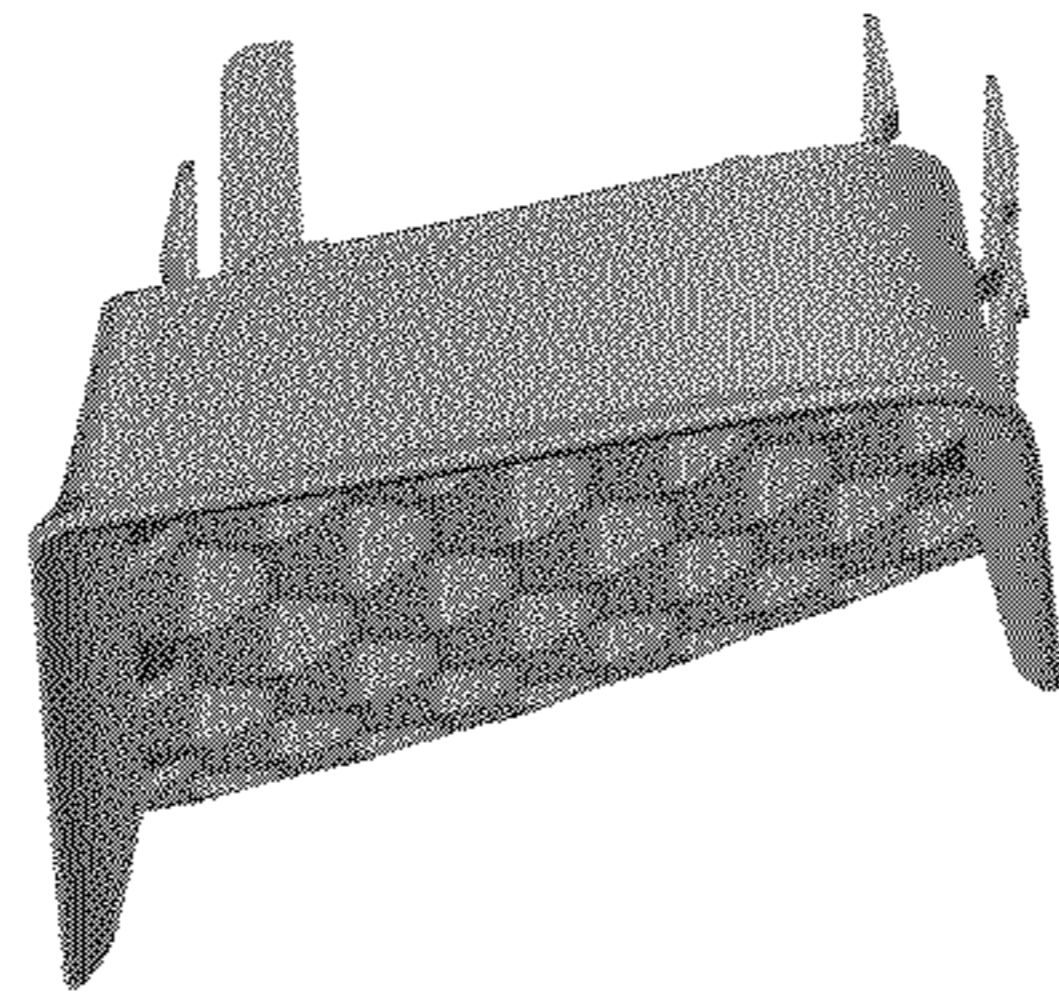


Figure 4

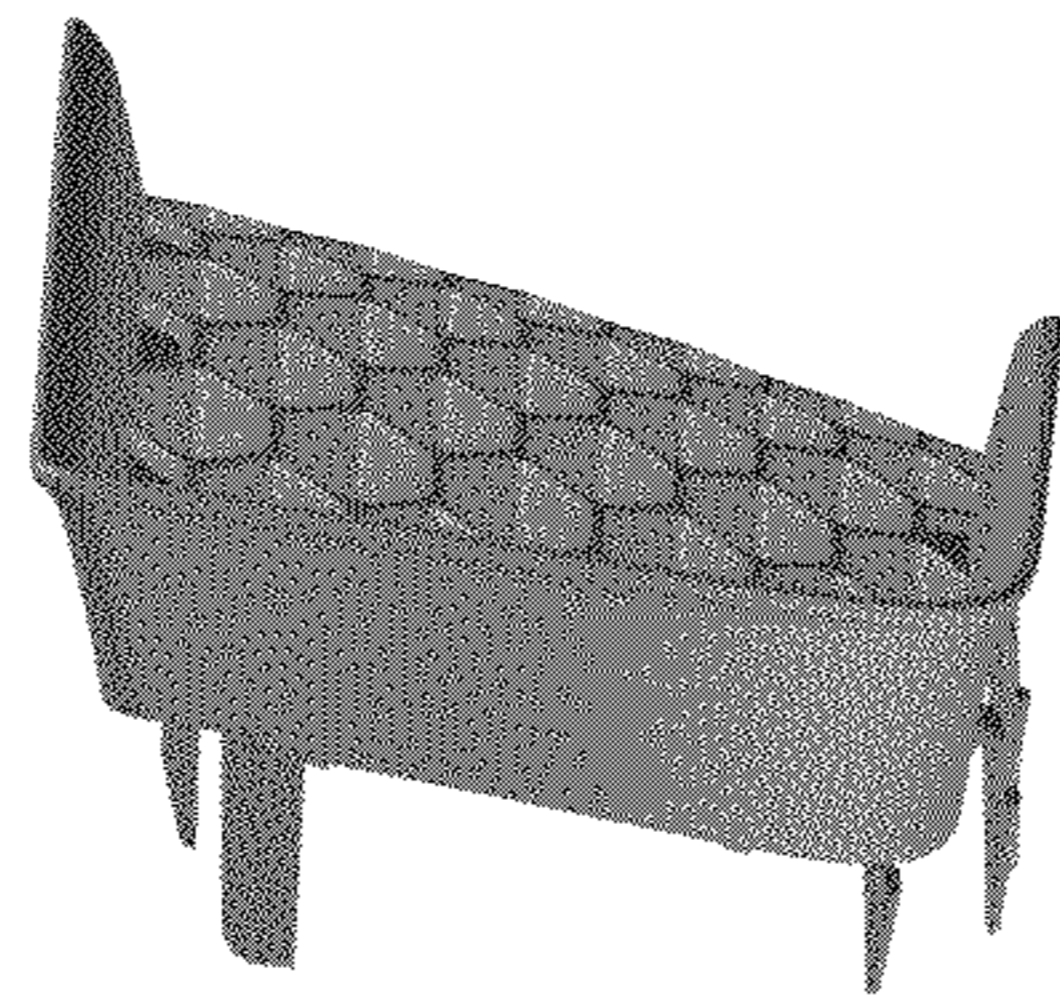


Figure 5

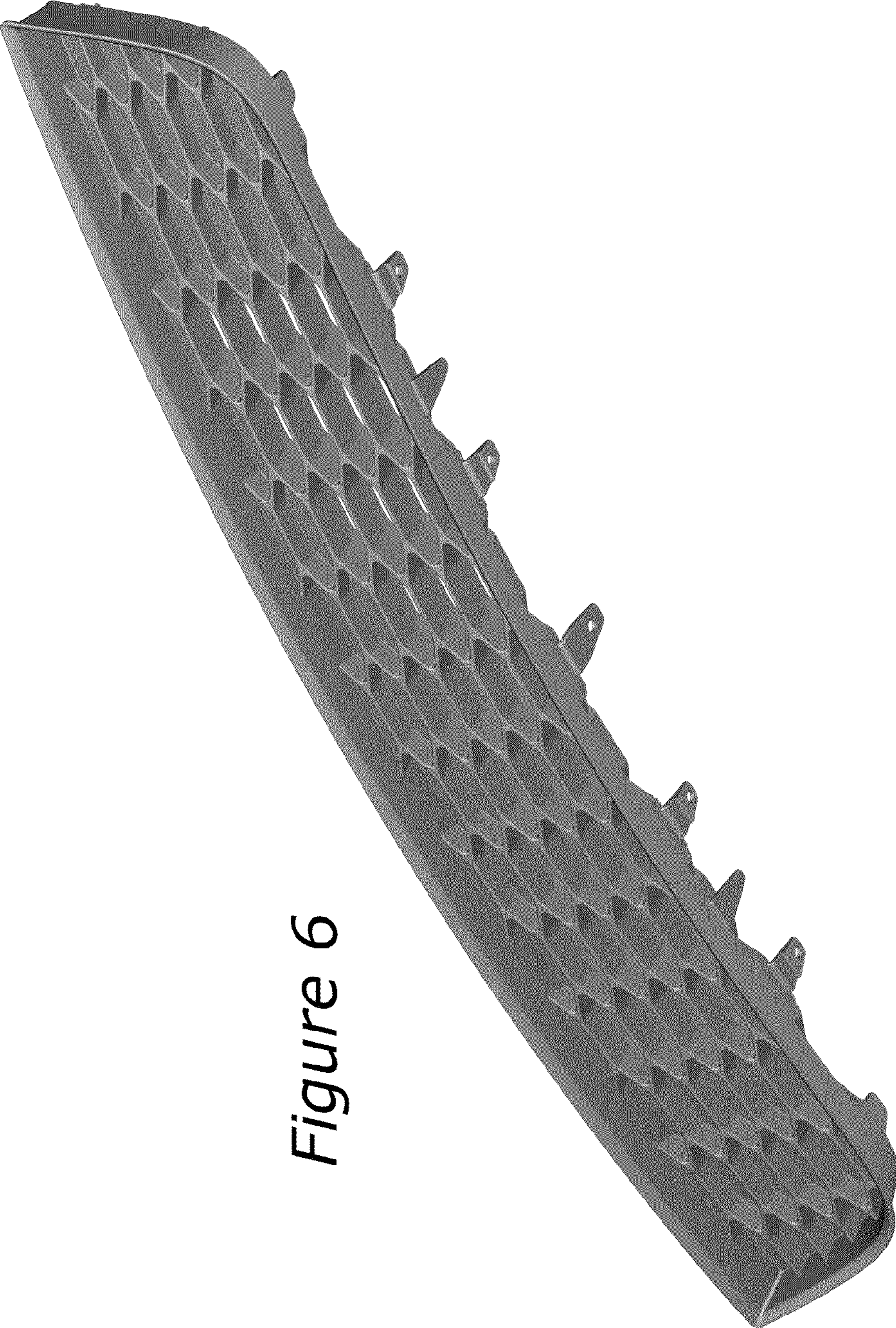


Figure 6

Figure 7

