



US00D680028S

(12) **United States Design Patent**
Ramaciotti

(10) **Patent No.:** **US D680,028 S**

(45) **Date of Patent:** **** Apr. 16, 2013**

(54) **CAR, TOY REPLICAS AND/OR OTHER REPLICAS**

(75) Inventor: **Lorenzo Ramaciotti**, Turin (IT)

(73) Assignee: **Fiat Group Automobiles S.p.A.**, Turin (IT)

(**) Term: **14 Years**

(21) Appl. No.: **29/403,323**

(22) Filed: **Oct. 4, 2011**

(30) **Foreign Application Priority Data**

Apr. 7, 2011 (WO) DM/075 985

Apr. 7, 2011 (WO) DM/075 986

(51) **LOC (9) Cl.** **12-08**

(52) **U.S. Cl.**
USPC **D12/91**

(58) **Field of Classification Search** D12/86,
D12/90-92, 99; D21/424, 433, 434; 296/181.1,
296/181.5

See application file for complete search history.

(56) **References Cited**

U.S. PATENT DOCUMENTS

D623,988 S *	9/2010	Liu et al.	D12/91
D647,820 S *	11/2011	Jang	D12/91
D671,034 S *	11/2012	Bischoff et al.	D12/91
D671,035 S *	11/2012	Bischoff et al.	D12/91

* cited by examiner

Primary Examiner — Melody N Brown

(74) *Attorney, Agent, or Firm* — Cowan, Liebowitz & Latman, P.C.

(57) **CLAIM**

The ornamental design for a car, toy replicas and/or other replicas, as shown and described.

DESCRIPTION

FIG. 1 is a front view of the car, toy replicas and/or other replicas, showing my design thereof;

FIG. 2 is a rear view thereof;

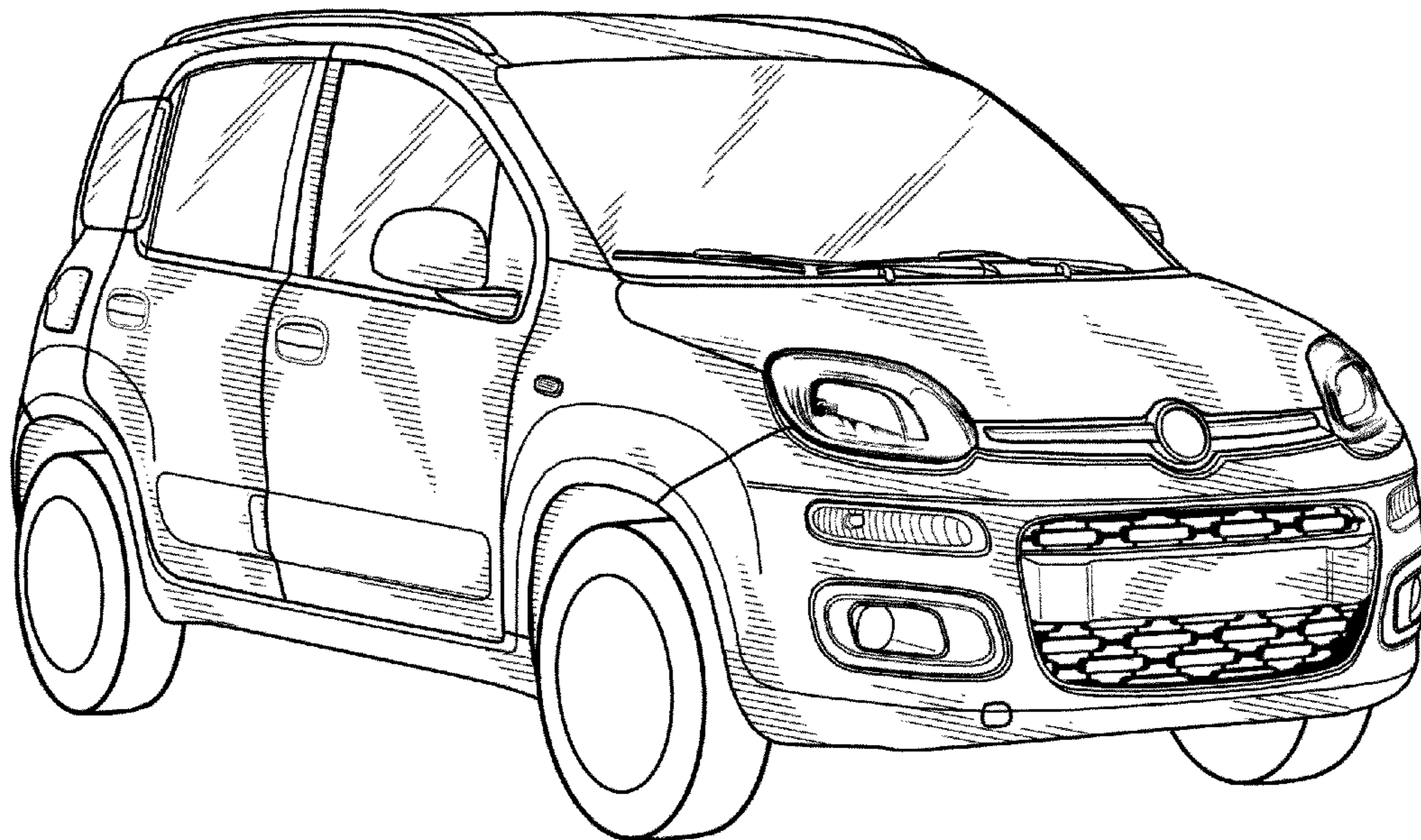
FIG. 3 is a right side view thereof;

FIG. 4 is a left side view thereof;

FIG. 5 is a top view thereof; and,

FIG. 6 is a perspective view thereof.

1 Claim, 6 Drawing Sheets



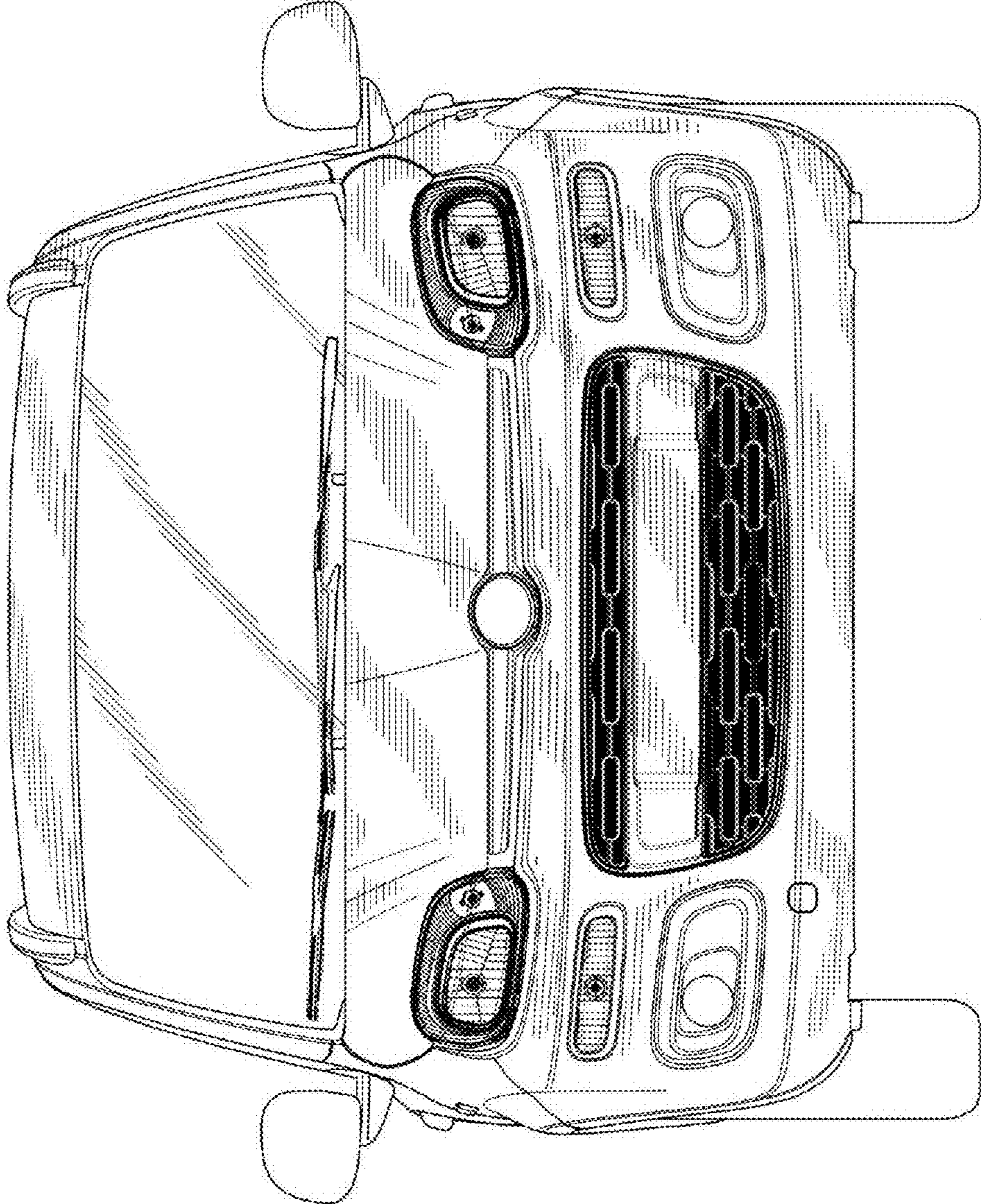


Fig. 1

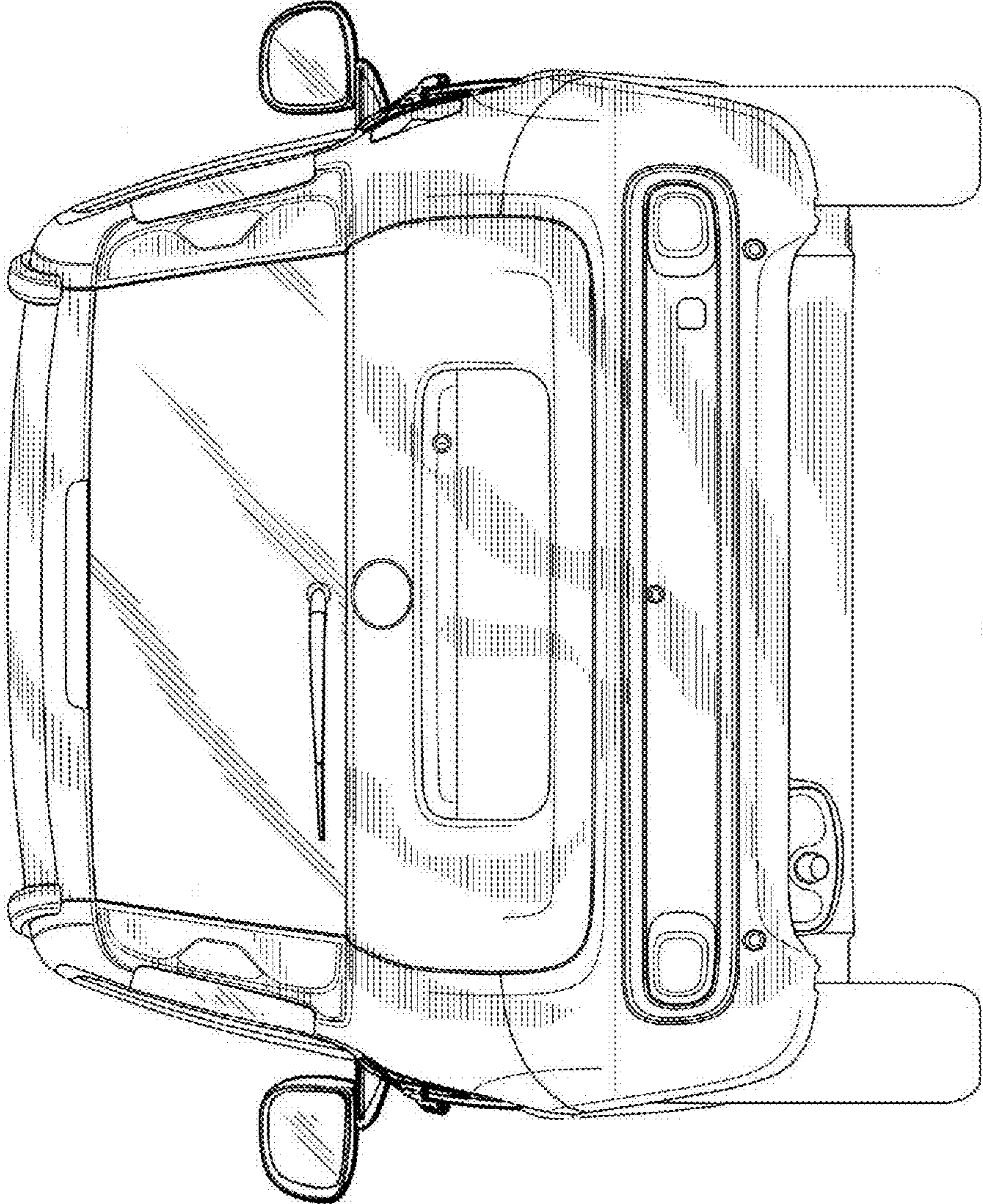


Fig. 2

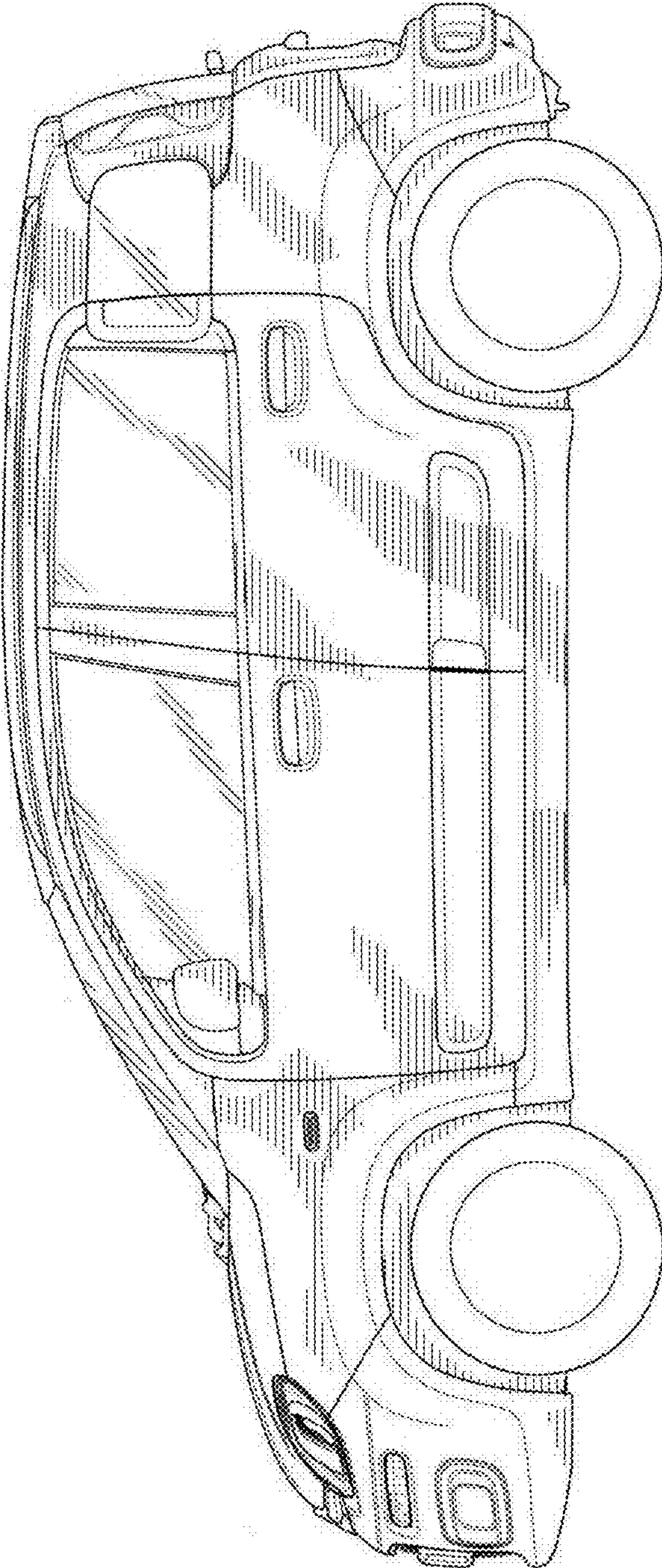


Fig. 3

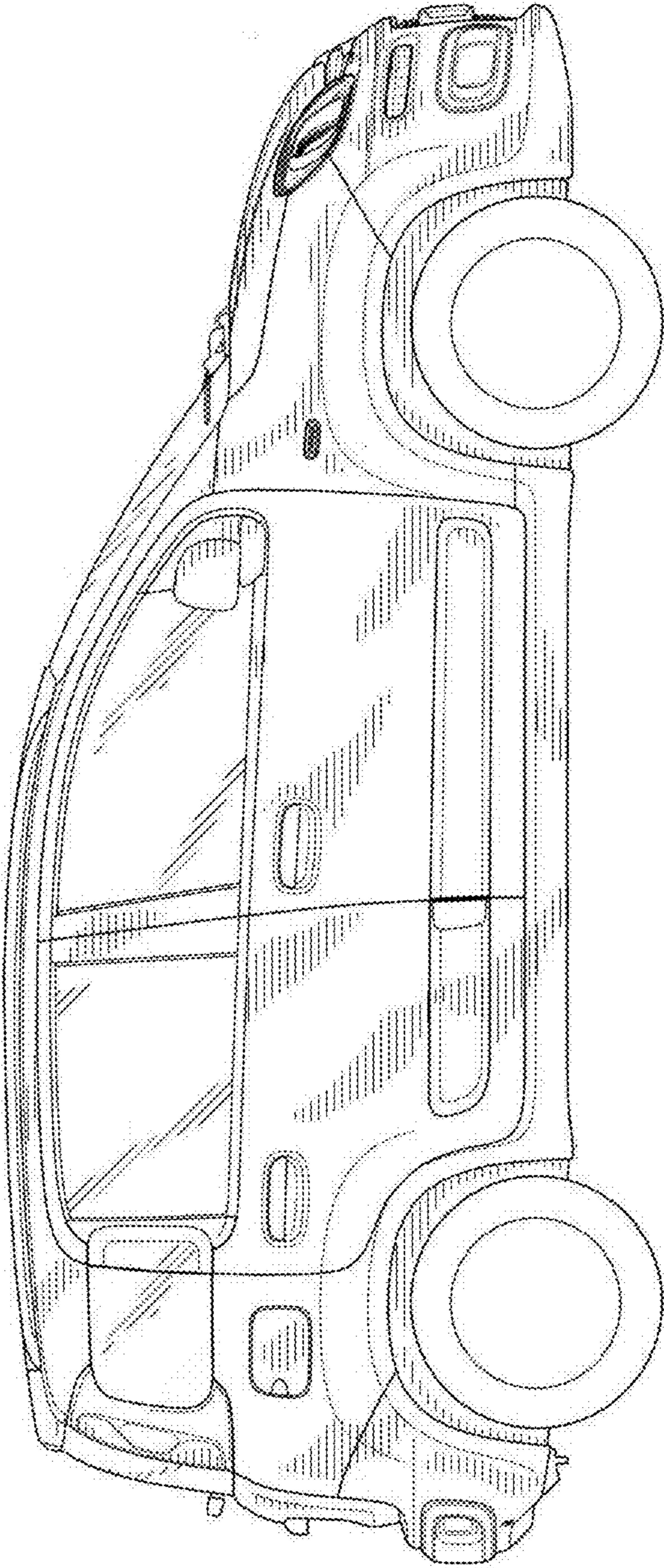


Fig. 4

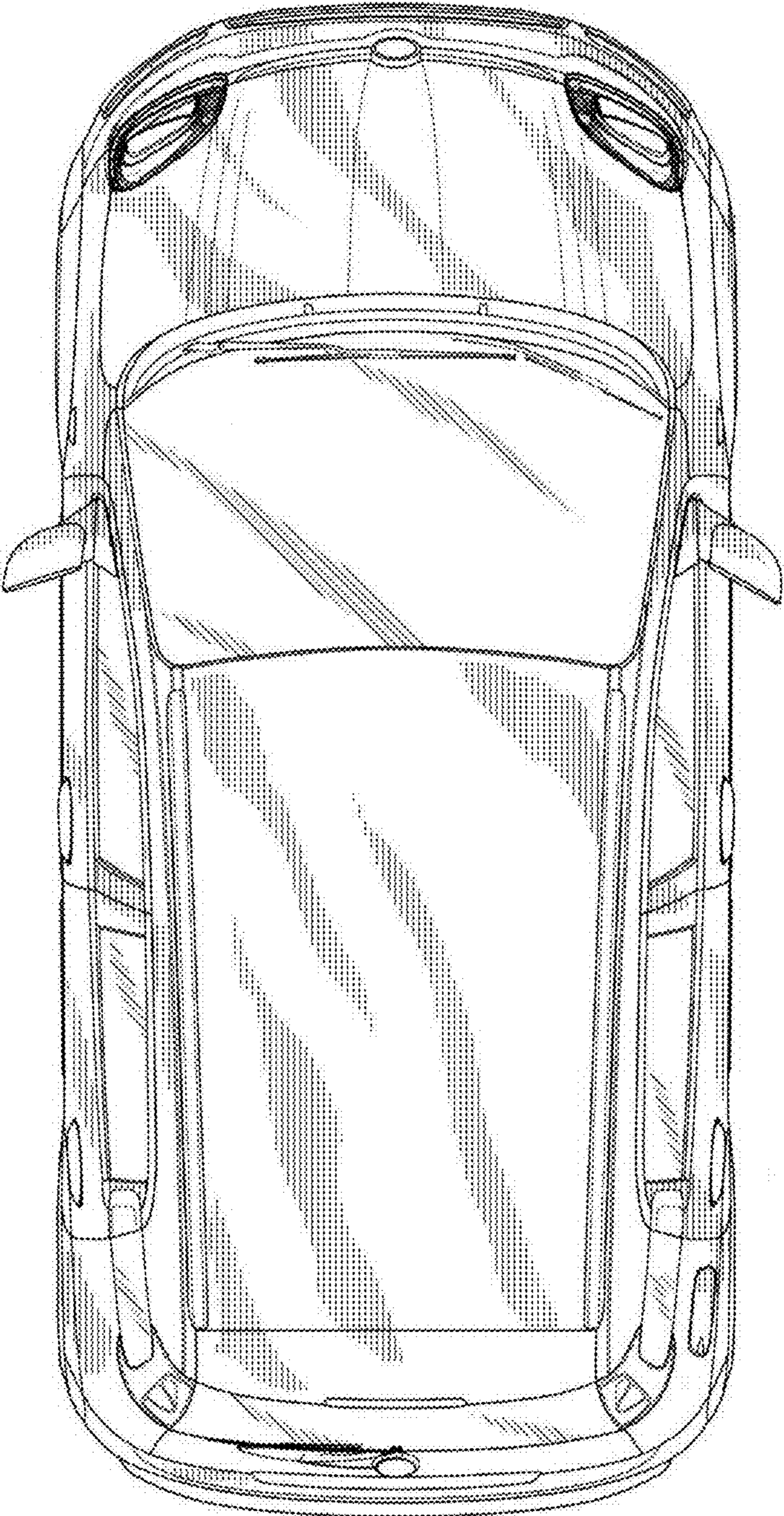


Fig. 5

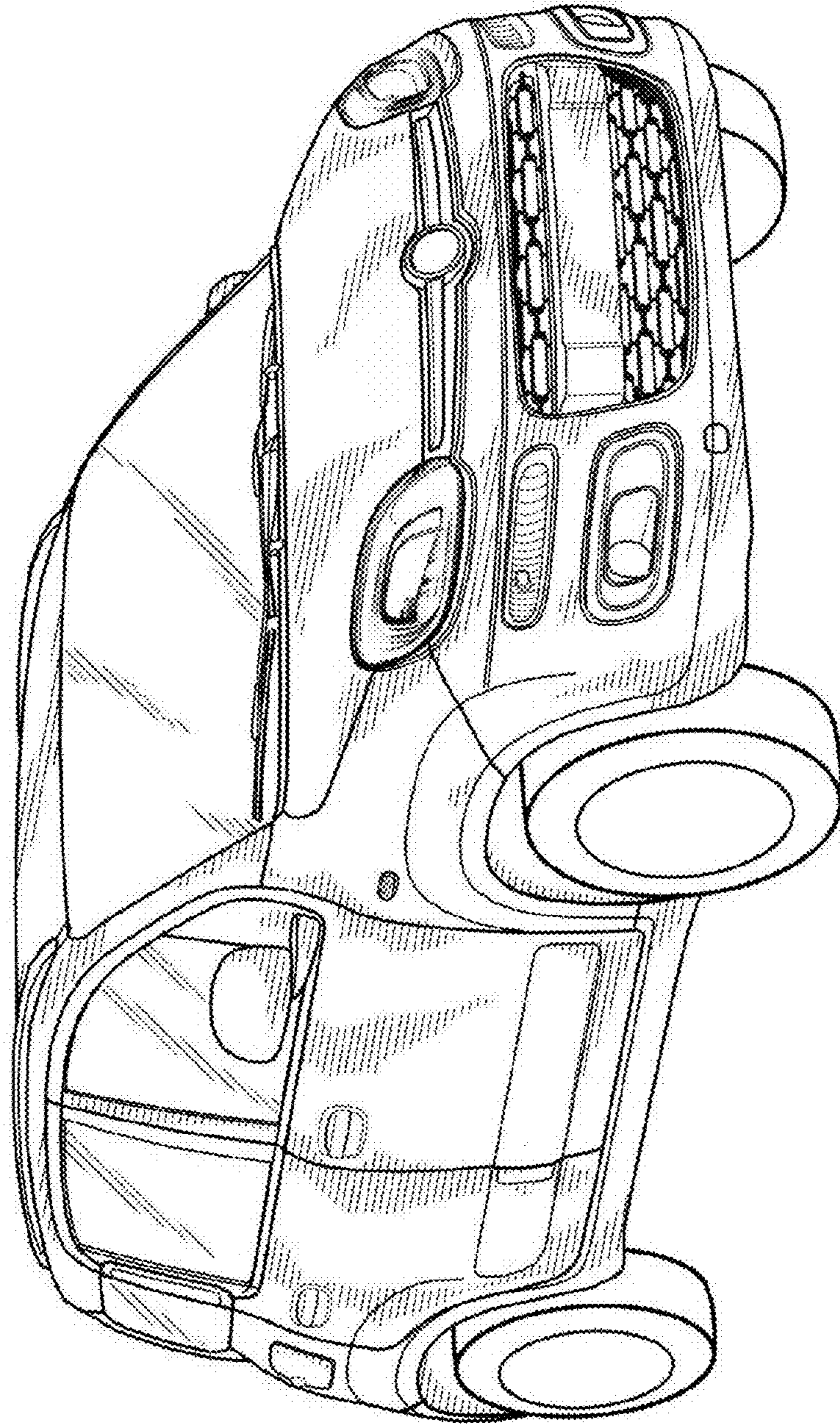


Fig. 6