



US00D680020S

(12) **United States Design Patent**
Cobbett et al.

(10) **Patent No.:** **US D680,020 S**
(45) **Date of Patent:** **** Apr. 16, 2013**

(54) **TRANSLUCENT WRISTBAND**

(75) Inventors: **Jamian R. Cobbett**, Portland, OR (US);
Kyle Schepke, Portland, OR (US);
Michel Alvarez, Miami Beach, FL (US);
Chris Harsacky, San Francisco, CA
(US); **Kyle Swen**, San Carlos, CA (US);
William D. Webb, San Francisco, CA
(US)

D550,112 S 9/2007 Andren et al.
D553,536 S 10/2007 Andren et al.
D556,194 S 11/2007 Rambosek et al.
D558,198 S 12/2007 Blankenship et al.
D560,134 S 1/2008 Chen
D564,367 S 3/2008 Molyneux
D565,427 S 4/2008 Ellner et al.
D567,227 S 4/2008 Hada
D567,676 S 4/2008 Tang

(Continued)

(73) Assignee: **NIKE, Inc.**, Beaverton, OR (US)

(**) Term: **14 Years**

(21) Appl. No.: **29/425,500**

(22) Filed: **Jun. 22, 2012**

(51) **LOC (9) Cl.** **11-01**

(52) **U.S. Cl.**
USPC **D11/3**

(58) **Field of Classification Search** D11/1-39,
D11/86; 63/3, 3.1, 3.2, 5, 15.1-15.4, 15.45,
63/15.5, 15.6, 15.65, 15.7, 26-28; D10/30,
D10/31, 32

See application file for complete search history.

(56) **References Cited**

U.S. PATENT DOCUMENTS

2,189,096 A * 2/1940 Alonge 224/170
D262,527 S 1/1982 Goldberg
D355,858 S 2/1995 Sugita
D460,430 S 7/2002 Wada et al.
D466,487 S 12/2002 Wada et al.
D466,488 S 12/2002 Wada et al.
D468,648 S 1/2003 Starck
D471,471 S * 3/2003 Fu et al. D10/32
D495,611 S 9/2004 Jorgensen
D533,085 S 12/2006 Mourgue
D539,670 S 4/2007 Behling
D543,192 S 5/2007 Jung
D548,128 S 8/2007 Andren et al.
D549,221 S 8/2007 Yagi

OTHER PUBLICATIONS

The Retsu by Saishin, 1 color page included, disclosure date unknown but prior to filing date of the instant application.

(Continued)

Primary Examiner — Jennifer Rivard

Assistant Examiner — Melanie Pellegrini

(74) *Attorney, Agent, or Firm* — Banner & Witcoff, Ltd.

(57) **CLAIM**

The ornamental design for a translucent wristband, as shown and described.

DESCRIPTION

FIG. 1 is a perspective view of a translucent wristband showing our new design;

FIG. 2 is a left side view thereof;

FIG. 3 is a right side view thereof;

FIG. 4 is a bottom view thereof;

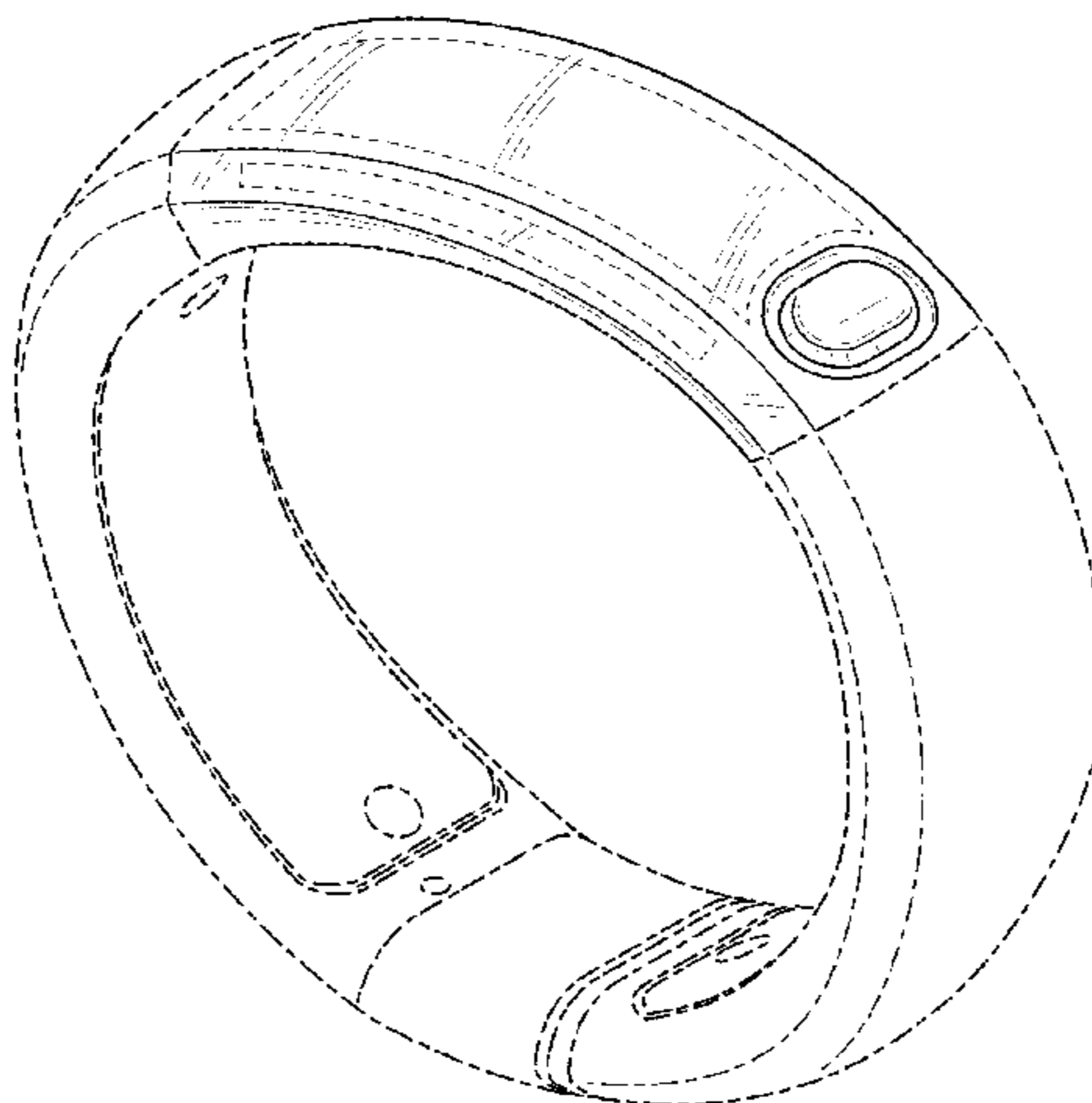
FIG. 5 is a top view thereof; and,

FIG. 6 is a front view thereof.

The uneven length broken lines immediately adjacent to the shaded area represent unclaimed boundaries of the design.

The even length broken lines showing interior features of the wristband form no part of the claimed design. The uneven length broken lines showing the remainder of the wristband are for environmental purposes only and form no part of the claimed design.

1 Claim, 4 Drawing Sheets



US D680,020 S

Page 2

U.S. PATENT DOCUMENTS

D568,768 S 5/2008 Tang
D571,684 S 6/2008 Kim
D576,501 S 9/2008 Tang
D576,908 S 9/2008 Gruenke
D580,277 S 11/2008 Brady et al.
D583,815 S 12/2008 Giovannoni
D589,374 S 3/2009 Tang
D600,570 S 9/2009 Zinder
D600,571 S 9/2009 Singer
D604,654 S 11/2009 Calvani
D606,423 S 12/2009 Mille
D611,357 S 3/2010 Giroud
D621,726 S 8/2010 Lattmann
D626,435 S 11/2010 Tanaka et al.
D633,399 S 3/2011 Zinder
D638,723 S 5/2011 Ong
D640,367 S 6/2011 Lin et al.

D643,428 S 8/2011 Janky et al.
D651,535 S 1/2012 Rodarmel
D659,580 S 5/2012 Veit
D661,275 S * 6/2012 Roka D10/31
D664,880 S 8/2012 Cobbett et al.
D664,881 S 8/2012 Cobbett et al.
D664,882 S 8/2012 Cobbett et al.
D669,382 S * 10/2012 Alvarez et al. D11/3
D669,383 S * 10/2012 Cobbett et al. D11/3
D669,384 S * 10/2012 Alvarez et al. D11/3
D671,858 S * 12/2012 Cobbett et al. D11/3

OTHER PUBLICATIONS

Various LED watches, 32 color pages included, disclosure date unknown but prior to filing date of the instant application.

* cited by examiner

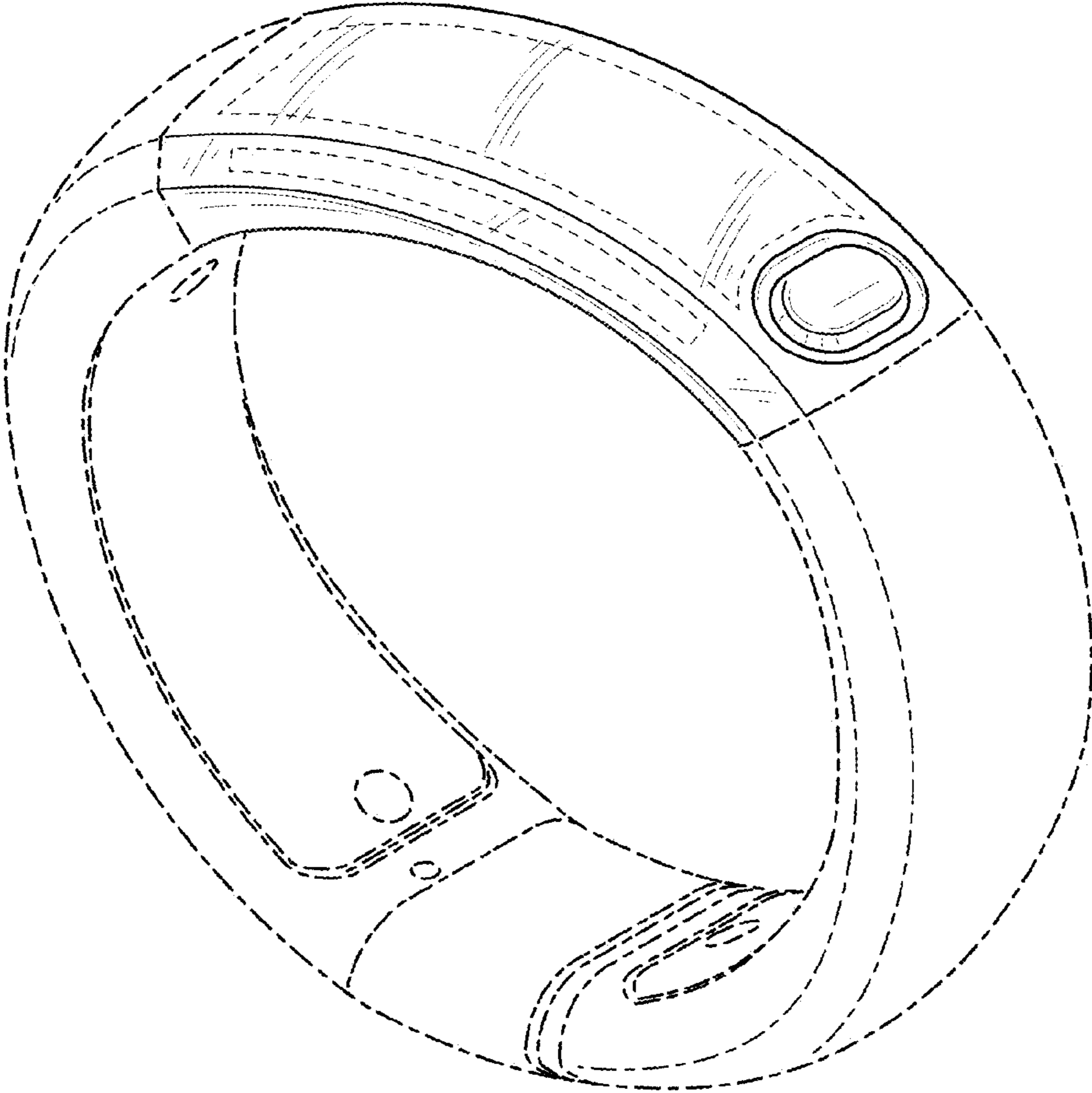


FIG. 1

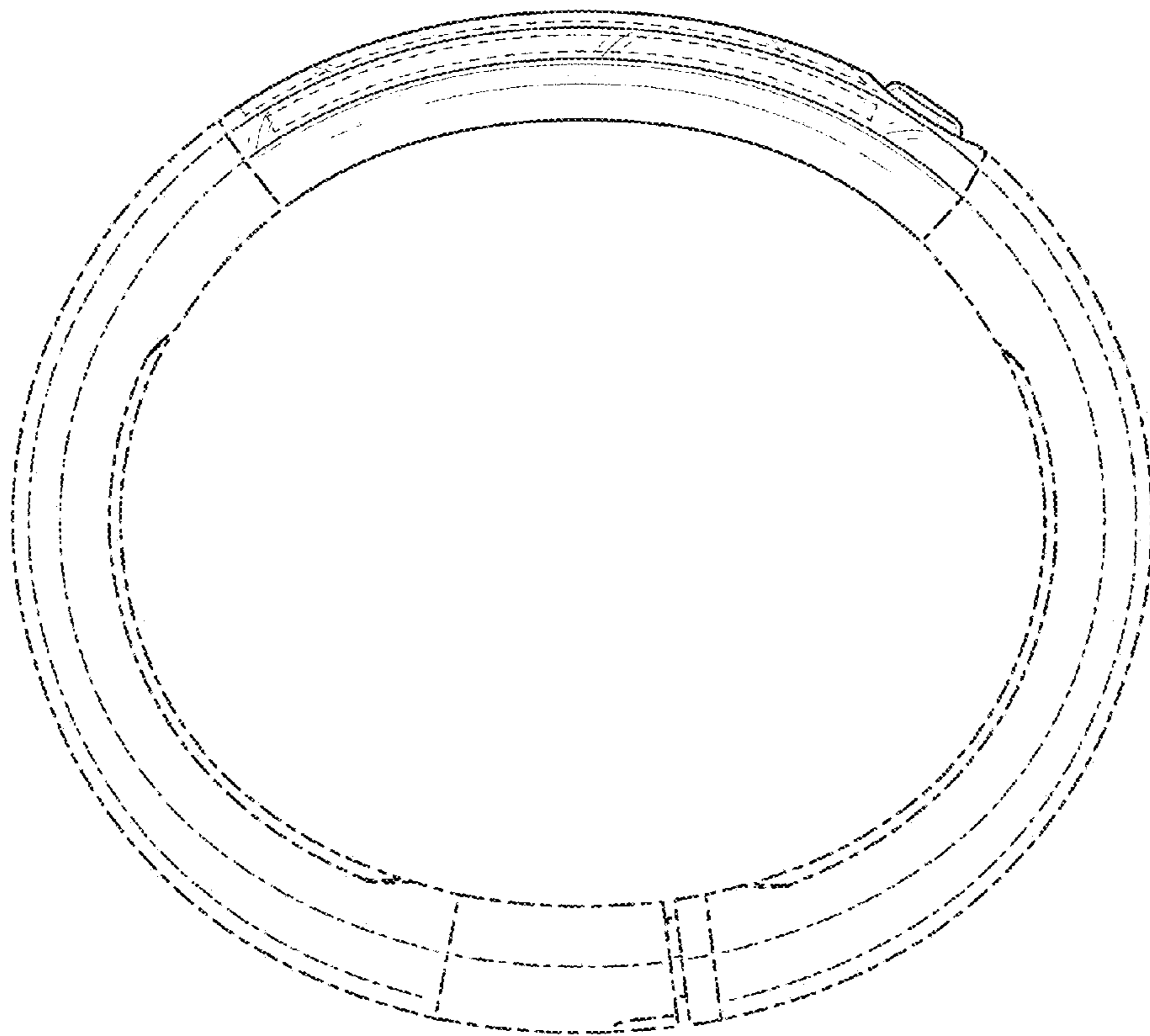


FIG. 2

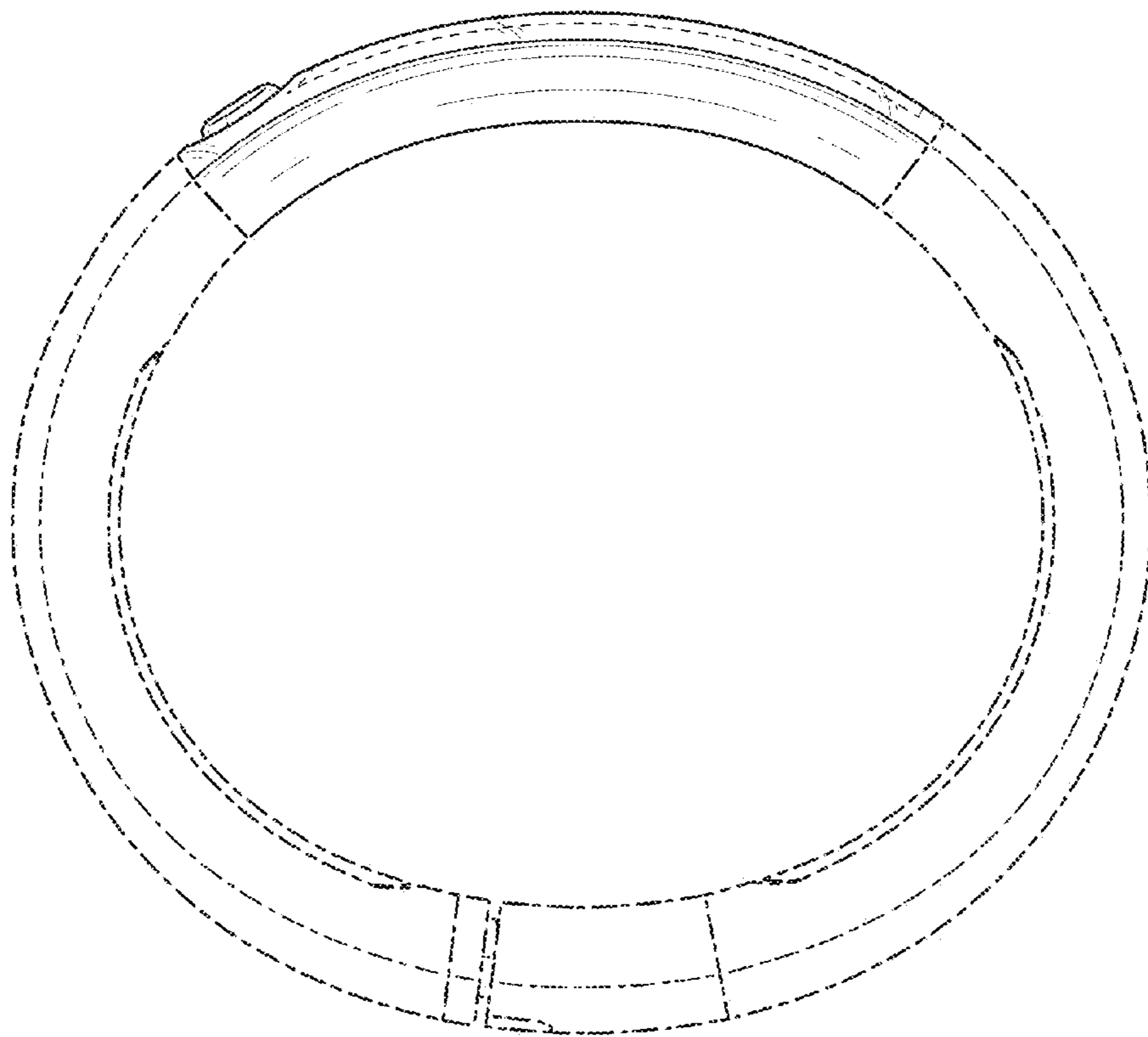


FIG. 3

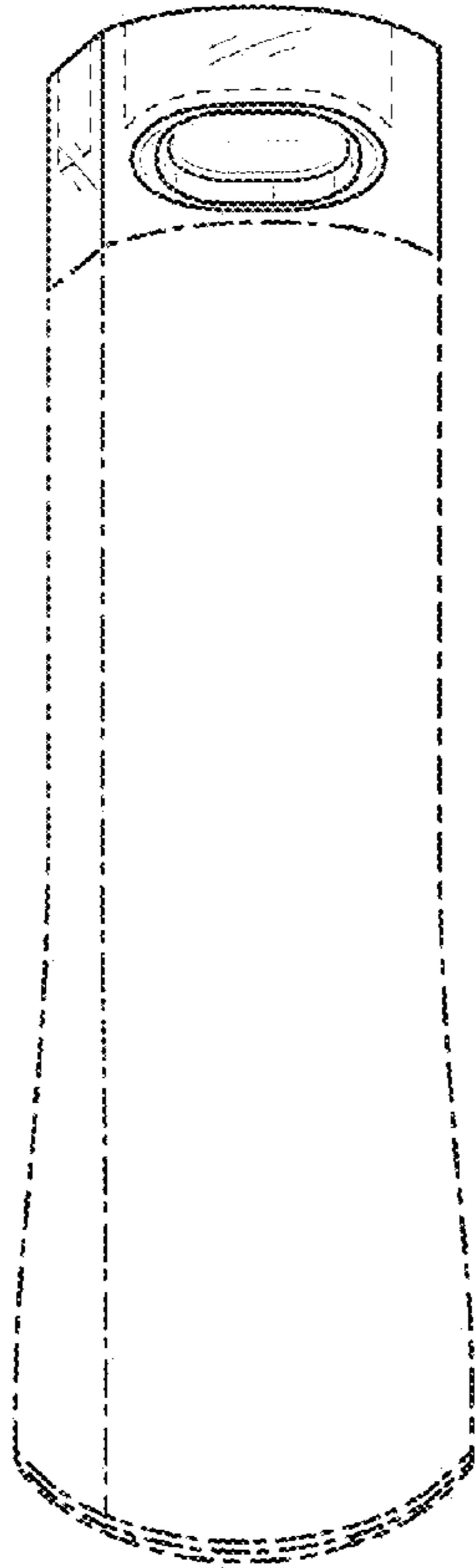


FIG. 4

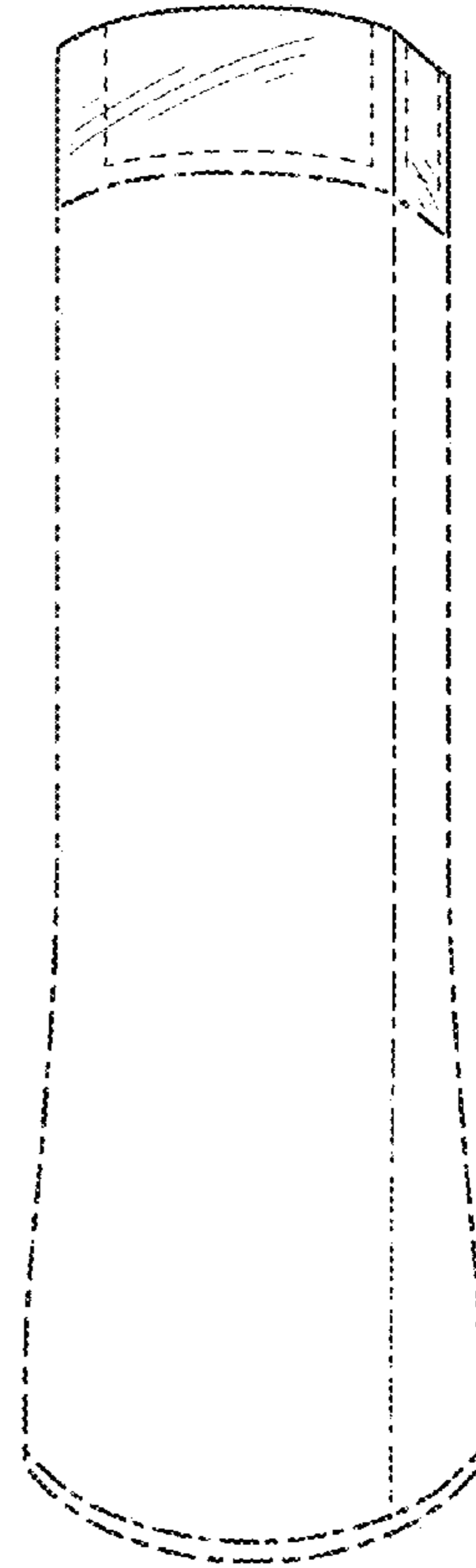


FIG. 5

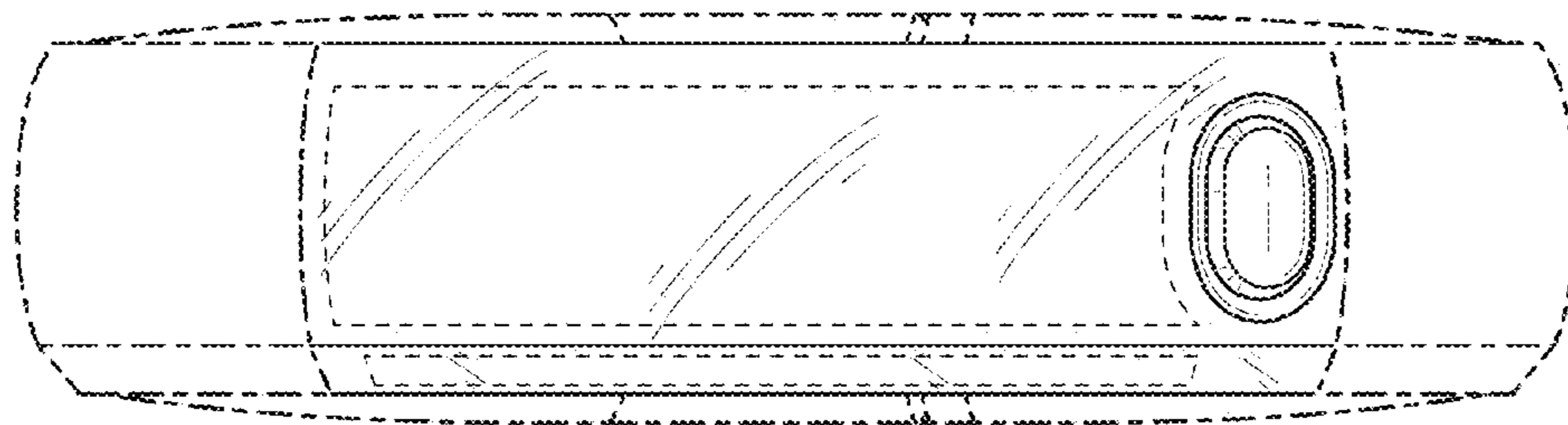


FIG. 6