



US00D680015S

(12) **United States Design Patent**
Hauser et al.

(10) **Patent No.:** **US D680,015 S**
(45) **Date of Patent:** **** Apr. 16, 2013**

(54) **WIRELESS TAG**

(75) Inventors: **Peter Edmund Heinrich Hauser**,
Kirkland, WA (US); **Henry Penix**, Tulsa,
OK (US); **Zachry Penix**, Tulsa, OK
(US); **Ryan J. Schwarz**, Owasso, OK
(US); **Ryan Moore**, Seattle, WA (US)

(73) Assignee: **Zomm, LLC**, Tulsa, OK (US)

(**) Term: **14 Years**

(21) Appl. No.: **29/409,824**

(22) Filed: **Dec. 29, 2011**

(51) **LOC (9) Cl.** **10-05**

(52) **U.S. Cl.**
USPC **D10/106.9**

(58) **Field of Classification Search** ... D10/106.9-16.94,
D10/113.1; 340/572.1, 572.3, 572.7-572.9;
70/57, 57.1, 58-59; 343/705; D8/330-348;
D13/107, 103

See application file for complete search history.

(56) **References Cited**

U.S. PATENT DOCUMENTS

D215,625 S * 10/1969 Hedgewick D10/113.1
D357,205 S * 4/1995 Sandino D10/113.1

D386,434 S * 11/1997 Sandino D10/113.1
D427,103 S * 6/2000 Bryant, Jr. D10/113.1
D490,335 S * 5/2004 Attar D10/113.1
D511,117 S * 11/2005 Farrahi D10/113.1
D519,918 S * 5/2006 Wilson et al. D13/103
7,042,407 B2 * 5/2006 Syed et al. 343/705
7,646,306 B2 * 1/2010 De Macedo 340/572.8
D617,667 S * 6/2010 Penix et al. D10/106.9
8,098,162 B2 * 1/2012 Abbott et al. 340/572.8

* cited by examiner

Primary Examiner — George D Kirschbaum

(74) *Attorney, Agent, or Firm* — Holland & Knight LLP;
Brian J. Colandreo, Esq.; Elizabeth R. Burkhard, Esq.

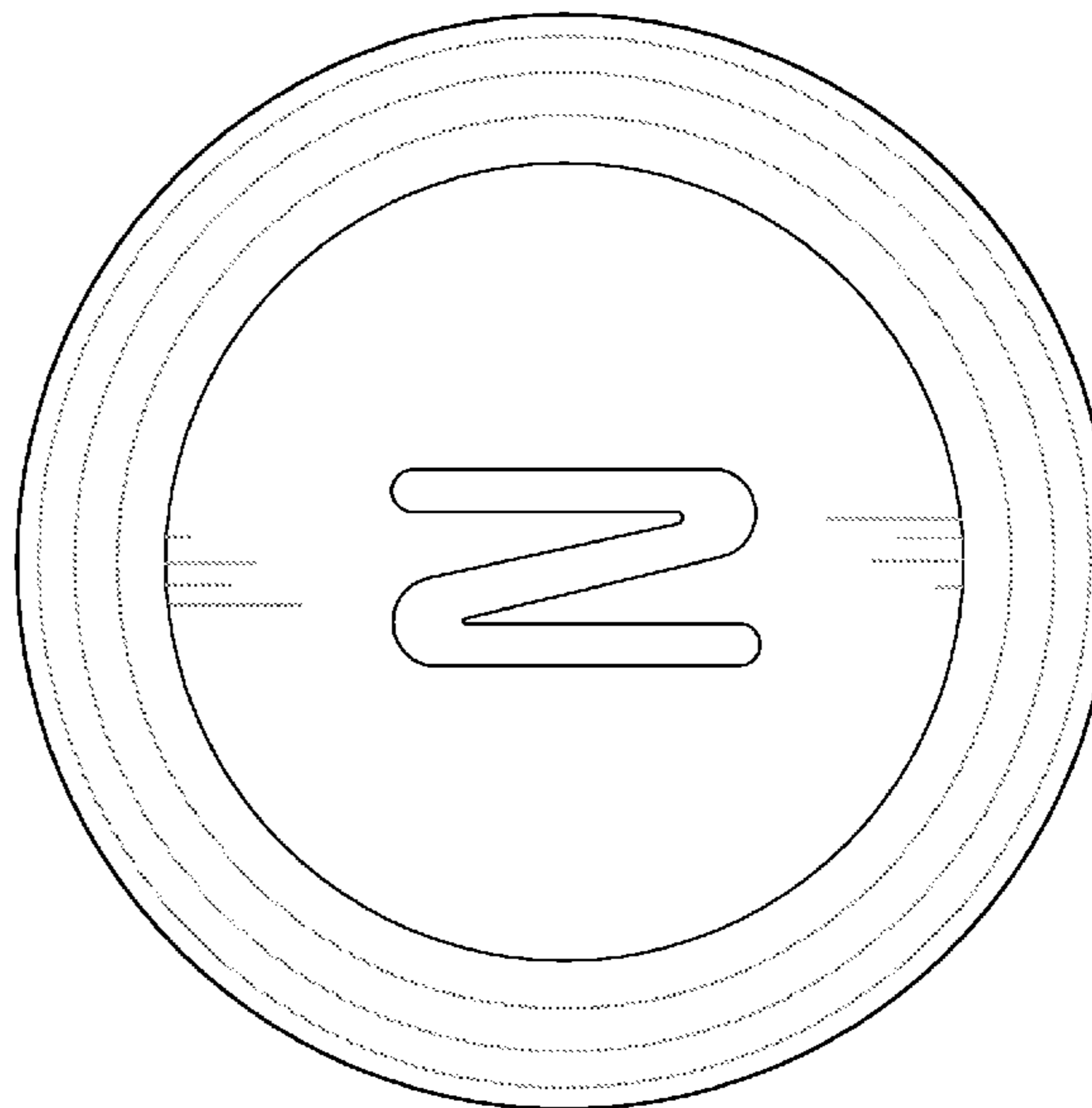
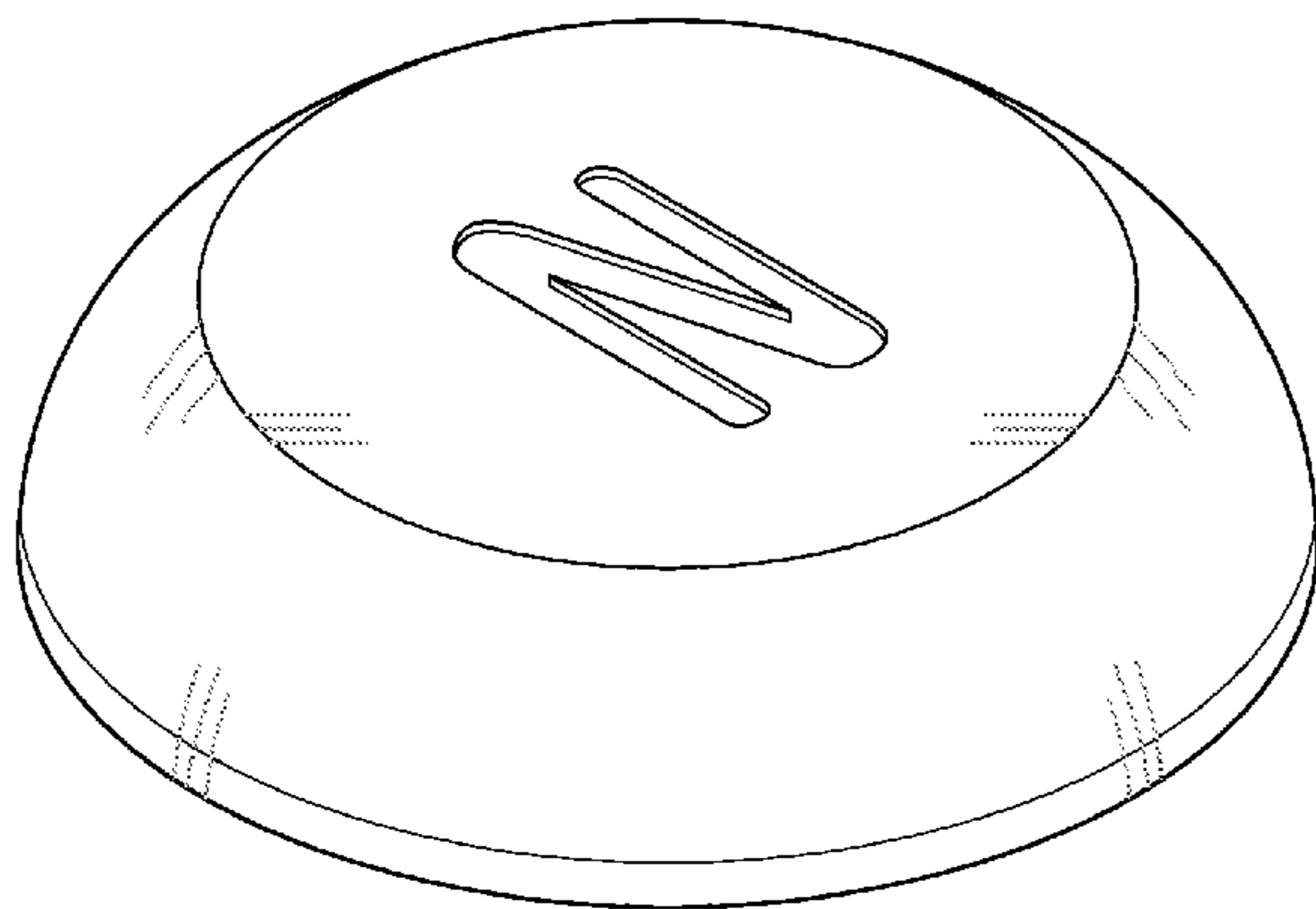
(57) **CLAIM**

The ornamental design for a wireless tag, as shown and described.

DESCRIPTION

FIG. 1 is a front perspective view of a wireless tag;
FIG. 2 is a front plan view thereof;
FIG. 3 is a rear plan view thereof;
FIG. 4 is a side elevational view thereof;
FIG. 5 is an exploded front perspective view thereof; and,
FIG. 6 is an exploded side elevational view thereof.

1 Claim, 6 Drawing Sheets



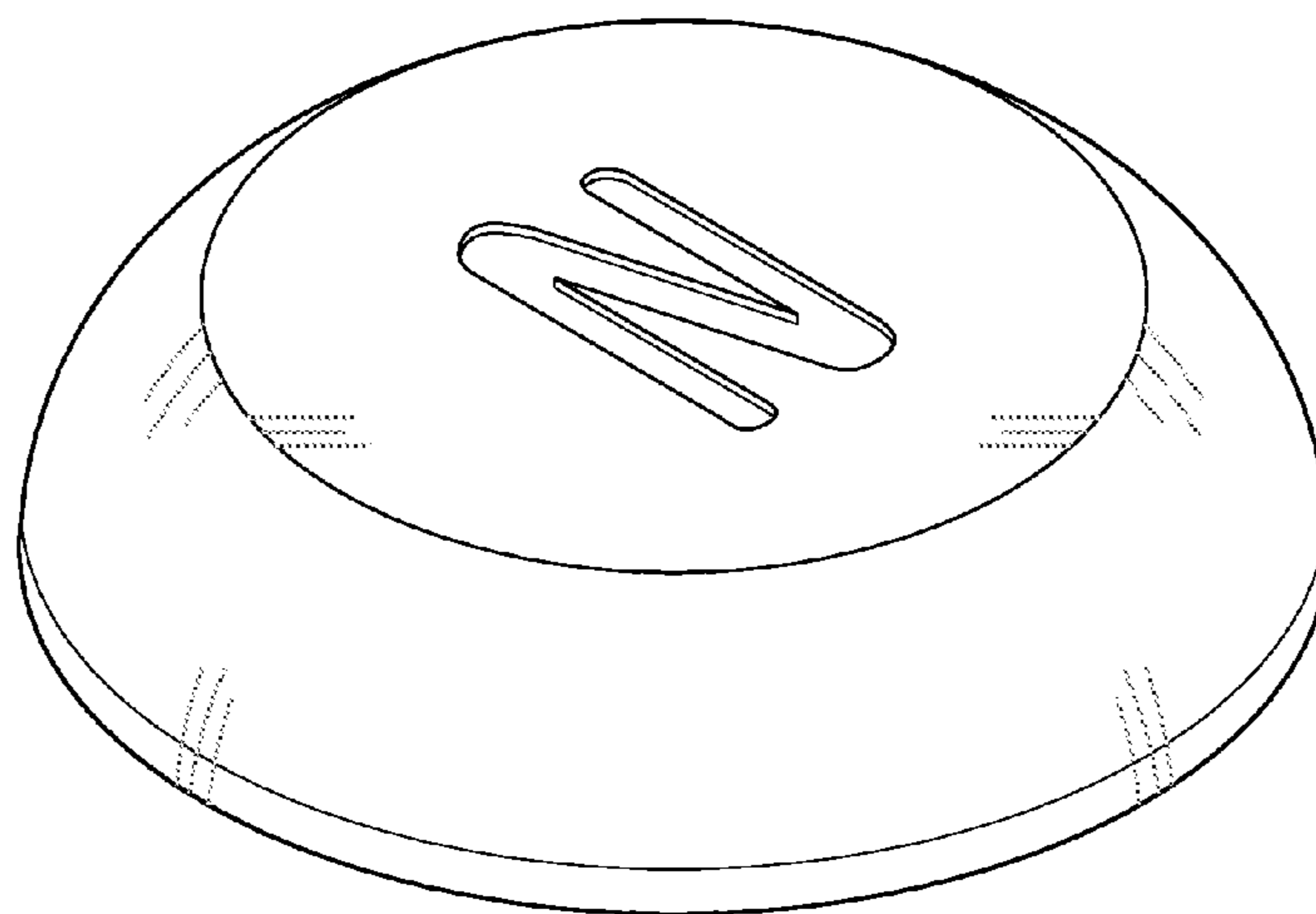


FIG. 1

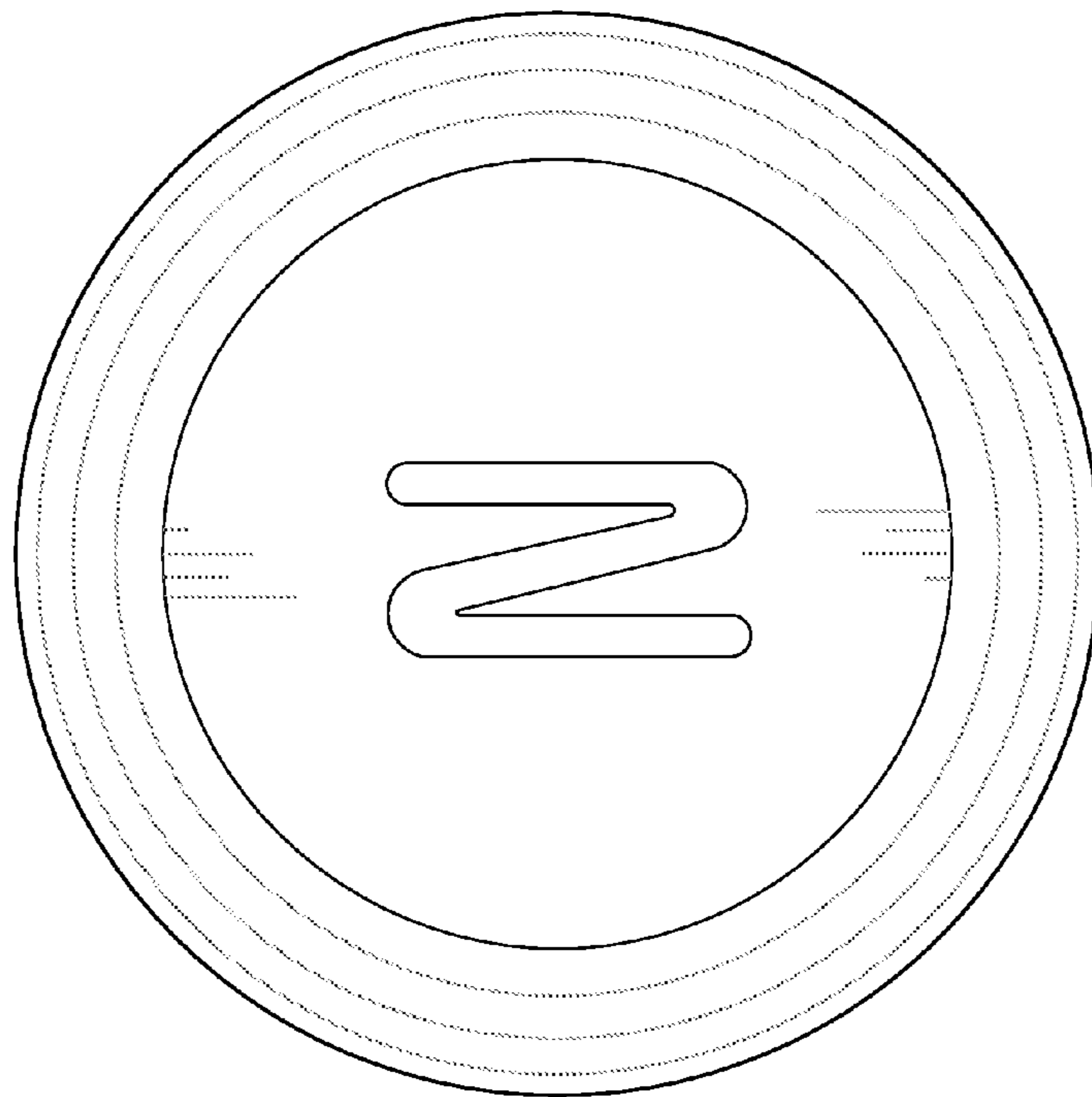


FIG. 2

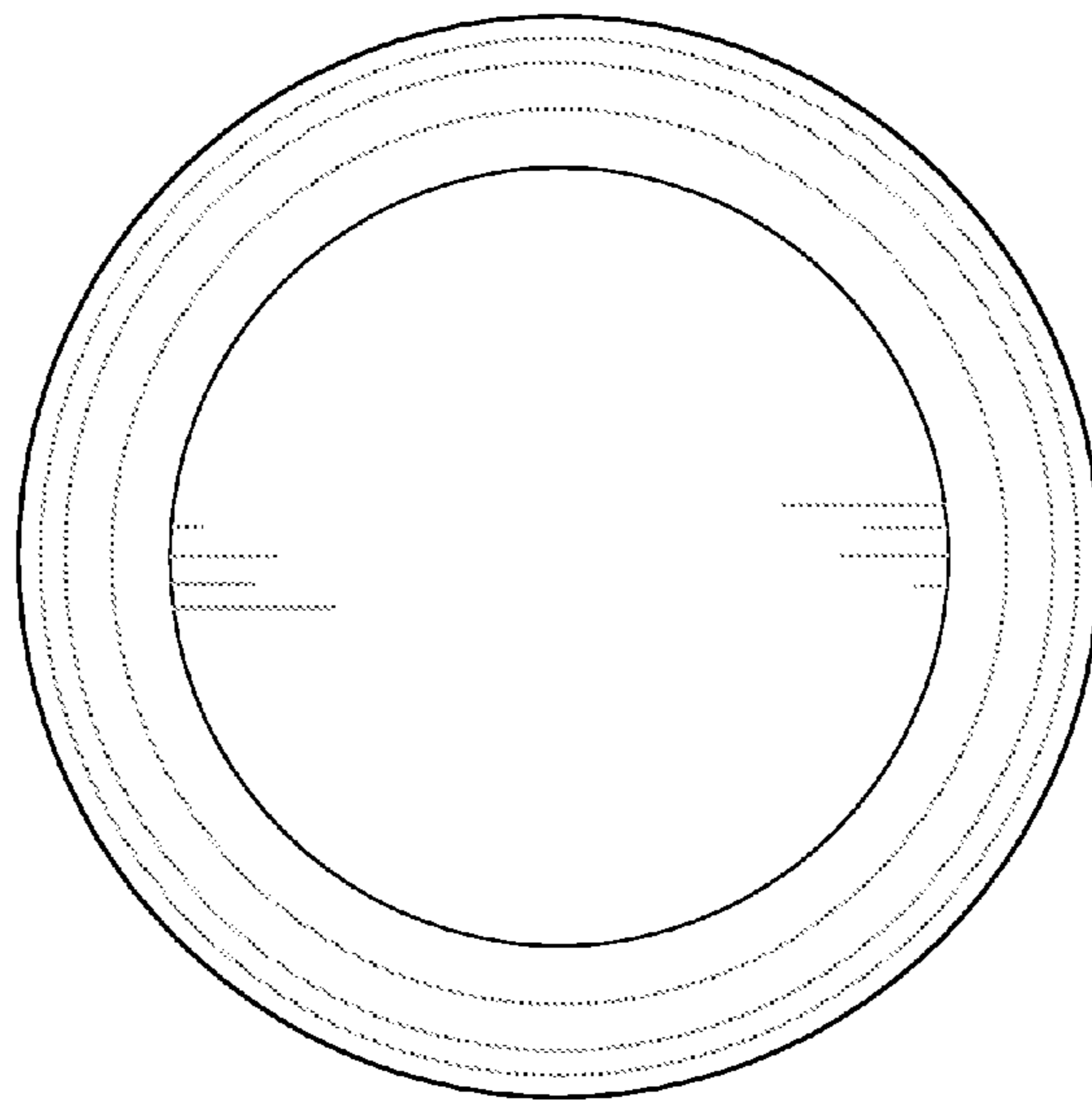


FIG. 3

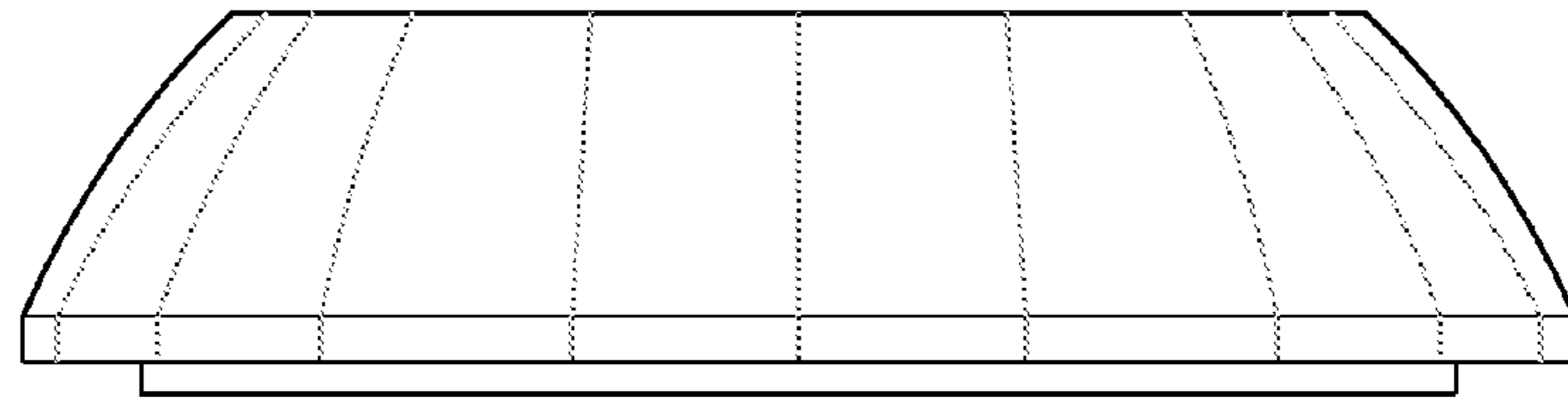


FIG. 4

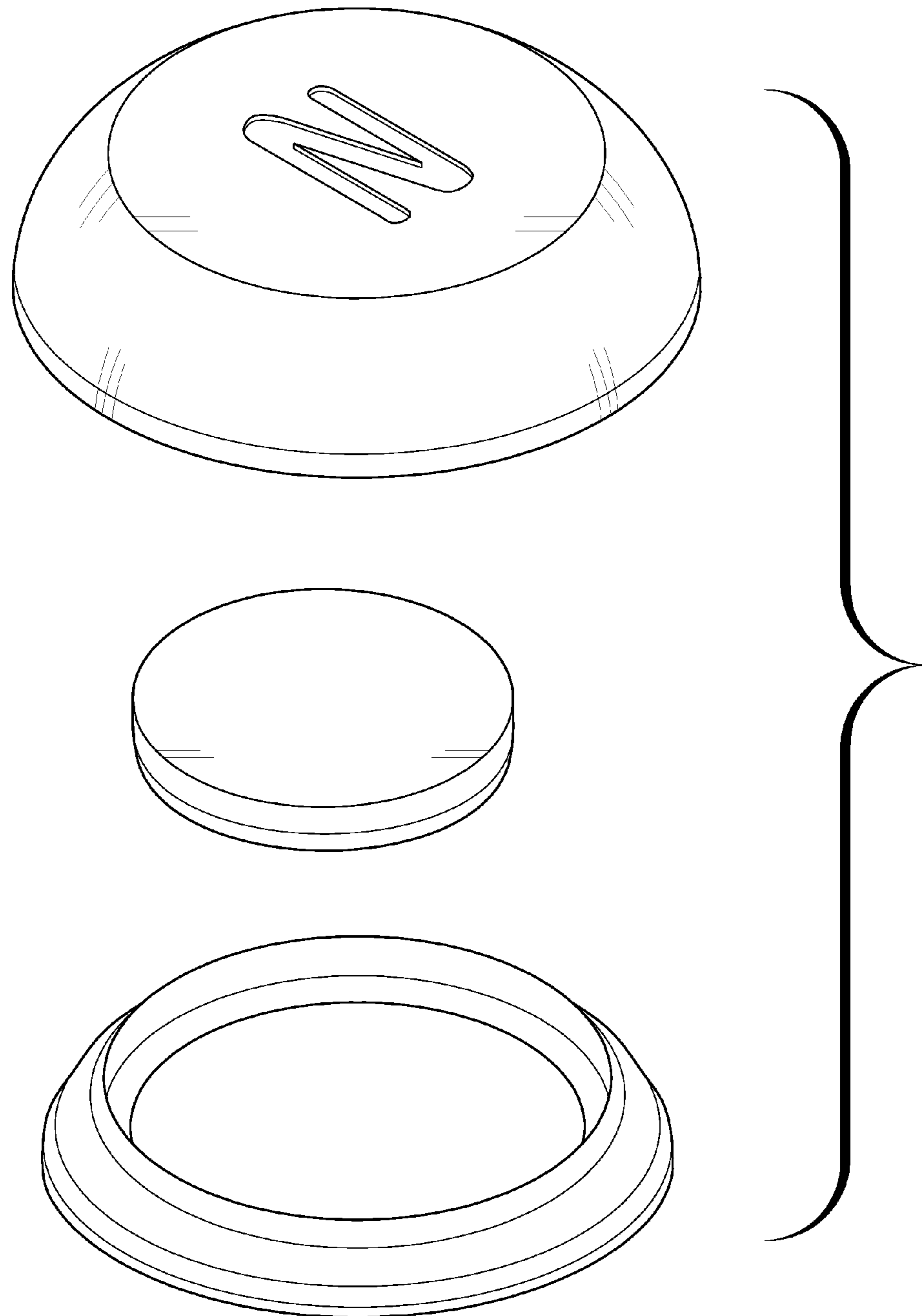


FIG. 5

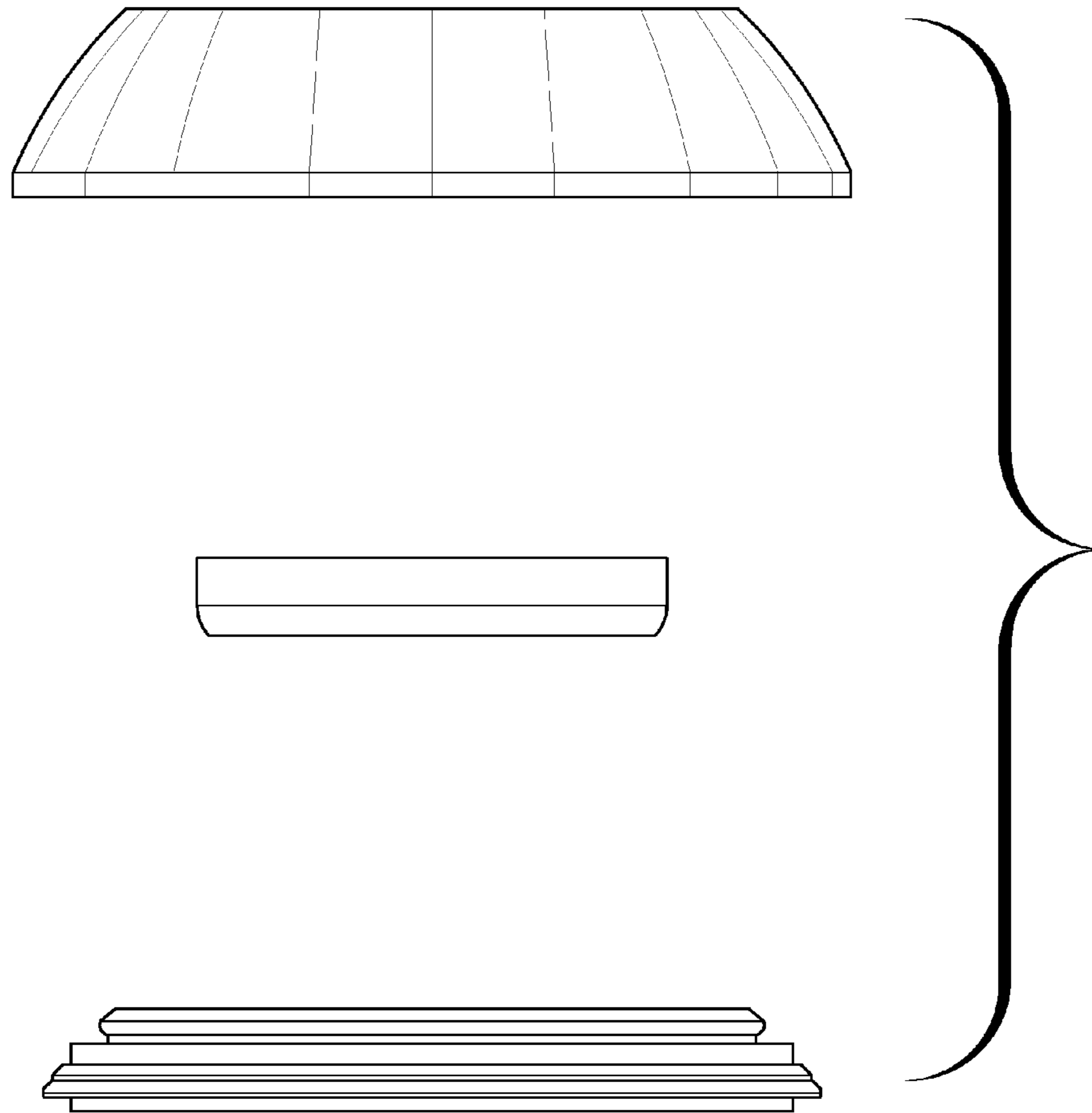


FIG. 6