



US00D680014S

(12) **United States Design Patent**
Corso et al.

(10) **Patent No.:** **US D680,014 S**
(45) **Date of Patent:** **** Apr. 16, 2013**

(54) **DOOR/WINDOW WIRELESS TRANSMITTER**

(75) Inventors: **Daniel Anthony Corso**, Macedon, NY (US); **James Bruce Thornton**, Webster, NY (US); **Michael Earl Reimer**, Batavia, NY (US)

(73) Assignee: **Robert Bosch GmbH**, Stuttgart (DE)

(**) Term: **14 Years**

(21) Appl. No.: **29/416,419**

(22) Filed: **Mar. 21, 2012**

(51) **LOC (9) Cl.** **10-05**

(52) **U.S. Cl.**
USPC **D10/106.6**

(58) **Field of Classification Search** D10/104.1,
D10/106.1–106.7; D13/158, 159, 172, 176;
D14/348, 364, 356, 314, 215, 214, 300, 349;
D9/414, 424, 425; 361/726, 816

See application file for complete search history.

(56) **References Cited**

U.S. PATENT DOCUMENTS

D267,544 S * 1/1983 Neto et al. D9/431
D410,436 S * 6/1999 Ryan et al. D14/507
D449,244 S * 10/2001 Ginzel D10/106.6
2012/0139671 A1* 6/2012 Gilmore 335/151

* cited by examiner

Primary Examiner — George D Kirschbaum

(74) *Attorney, Agent, or Firm* — Taft Stettinius & Hollister LLP; Keith Swedo

(57) **CLAIM**

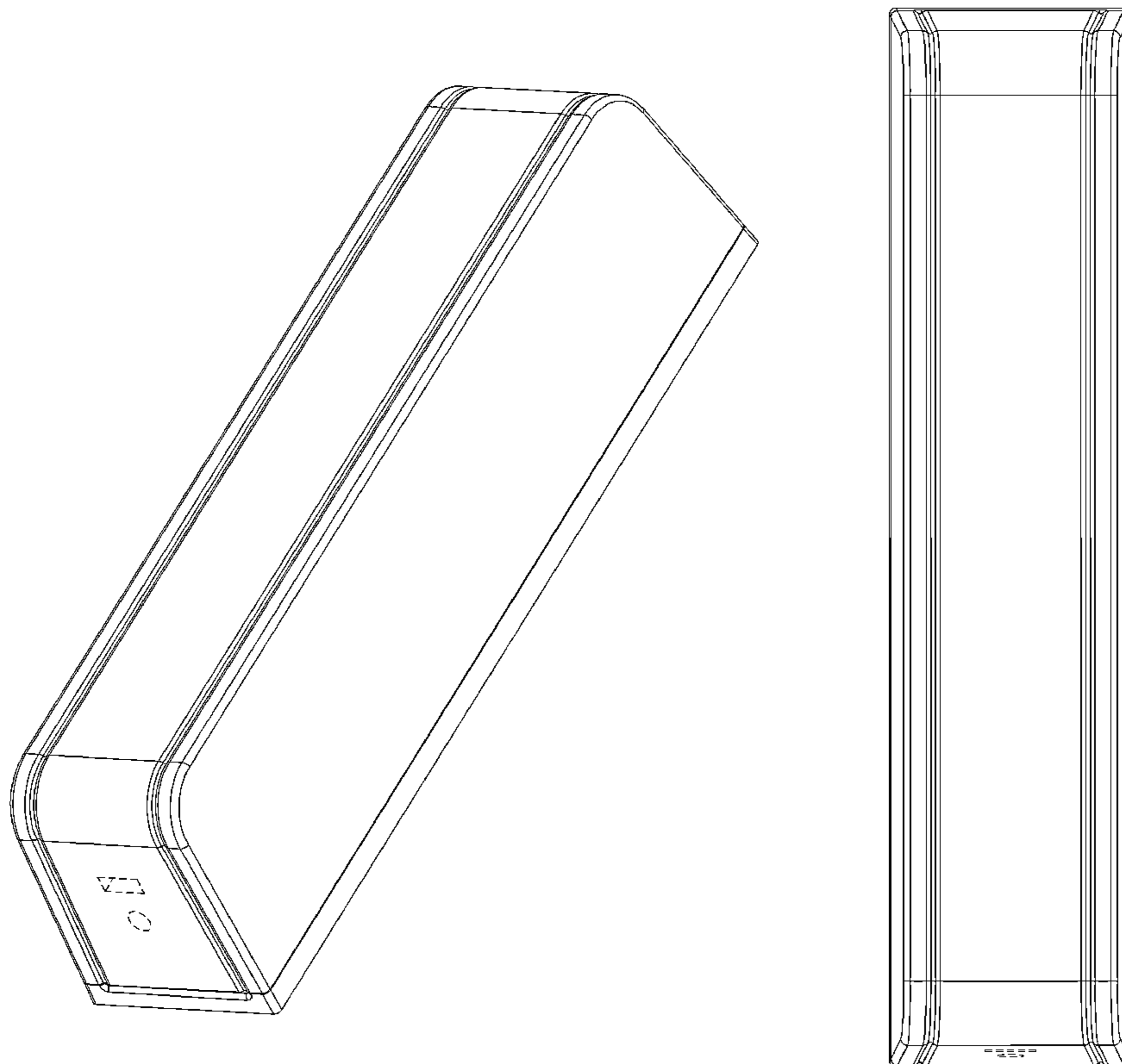
The ornamental design for the door/window wireless transmitter, as shown and described.

DESCRIPTION

FIG. 1 is top right perspective view of the door/window wireless transmitter;
FIG. 2 is a front view thereof;
FIG. 3 is a rear view thereof;
FIG. 4 is a right side view thereof;
FIG. 5 is a left side view thereof;
FIG. 6 is a top view thereof; and,
FIG. 7 is a bottom view thereof.

The broken line showing of openings, controls and mounting hardware is included for the purpose of illustrating portions of the “article” and forms no part of the claimed design.

1 Claim, 4 Drawing Sheets



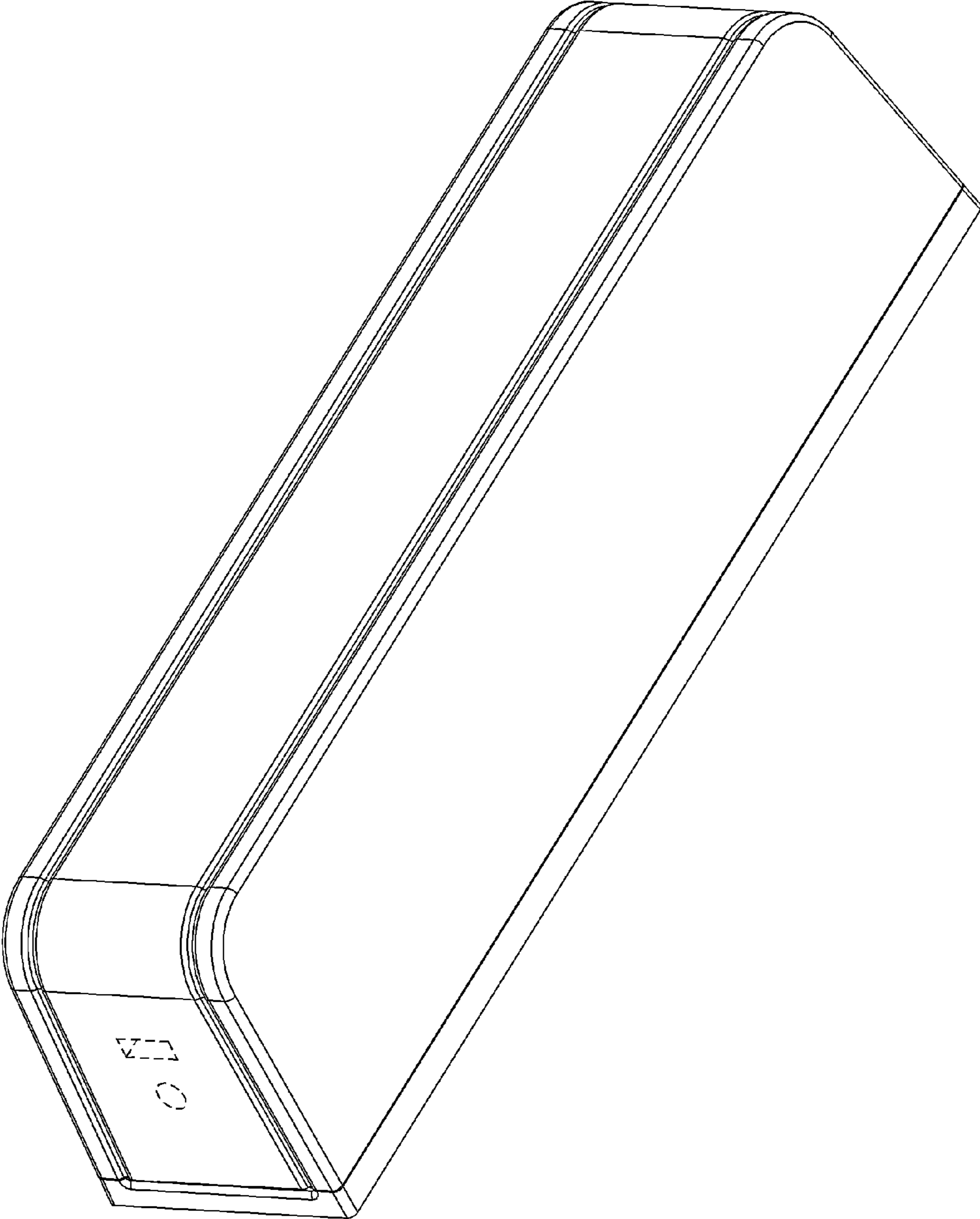


Fig. 1

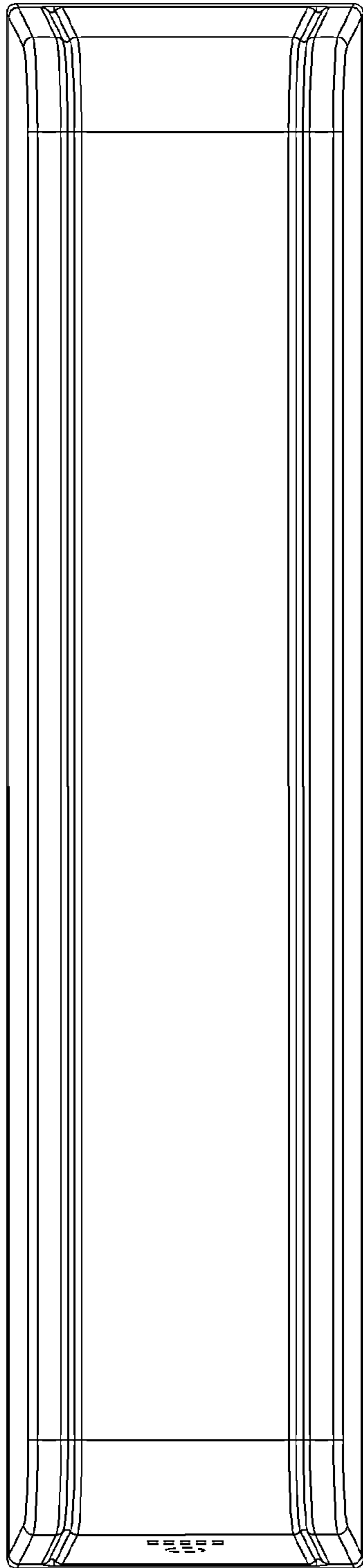


Fig. 2



Fig. 3

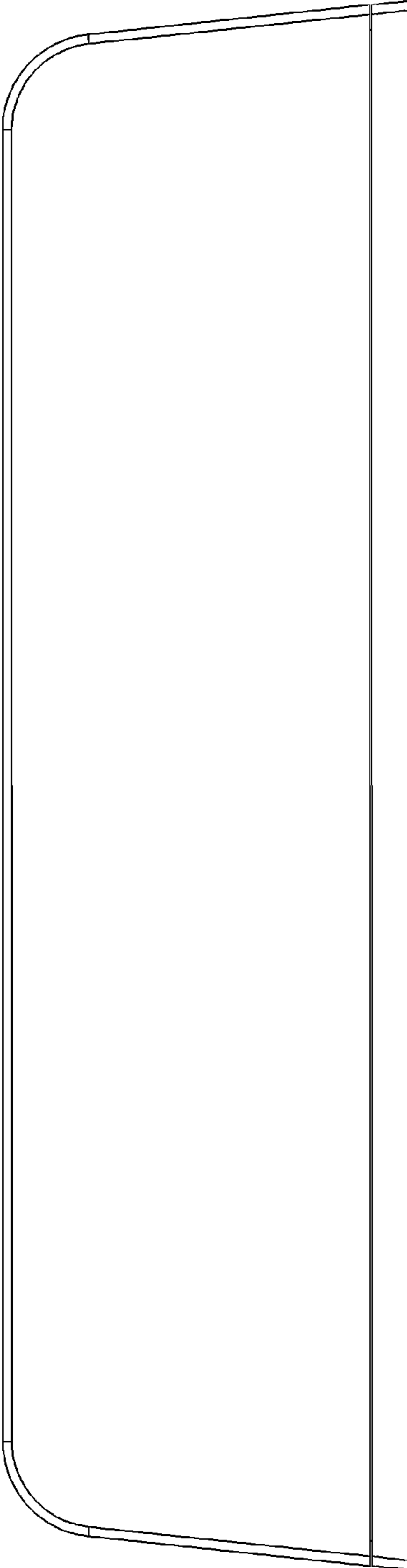


Fig. 4

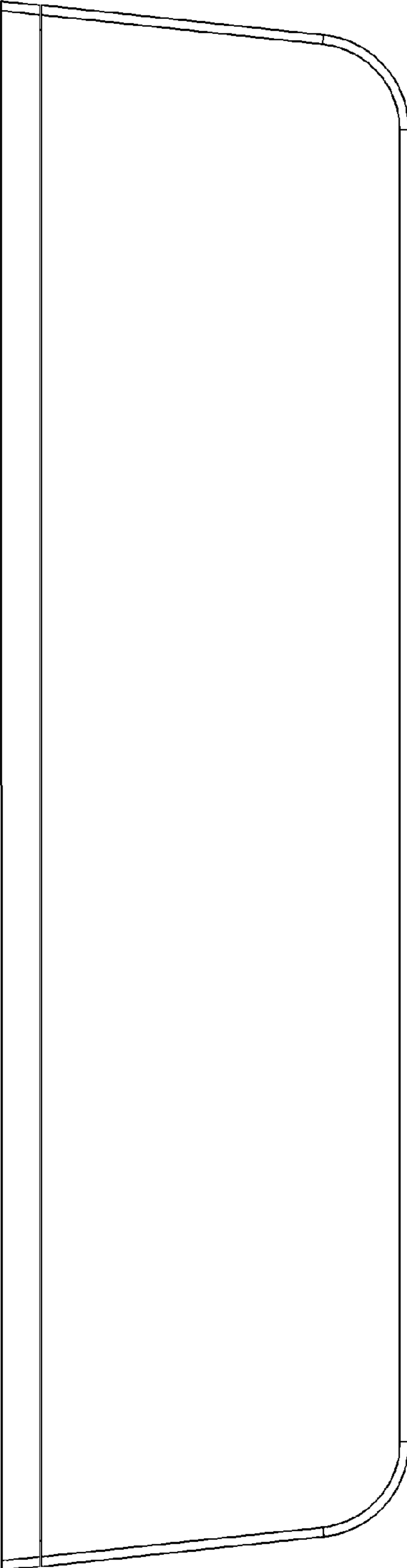


Fig. 5

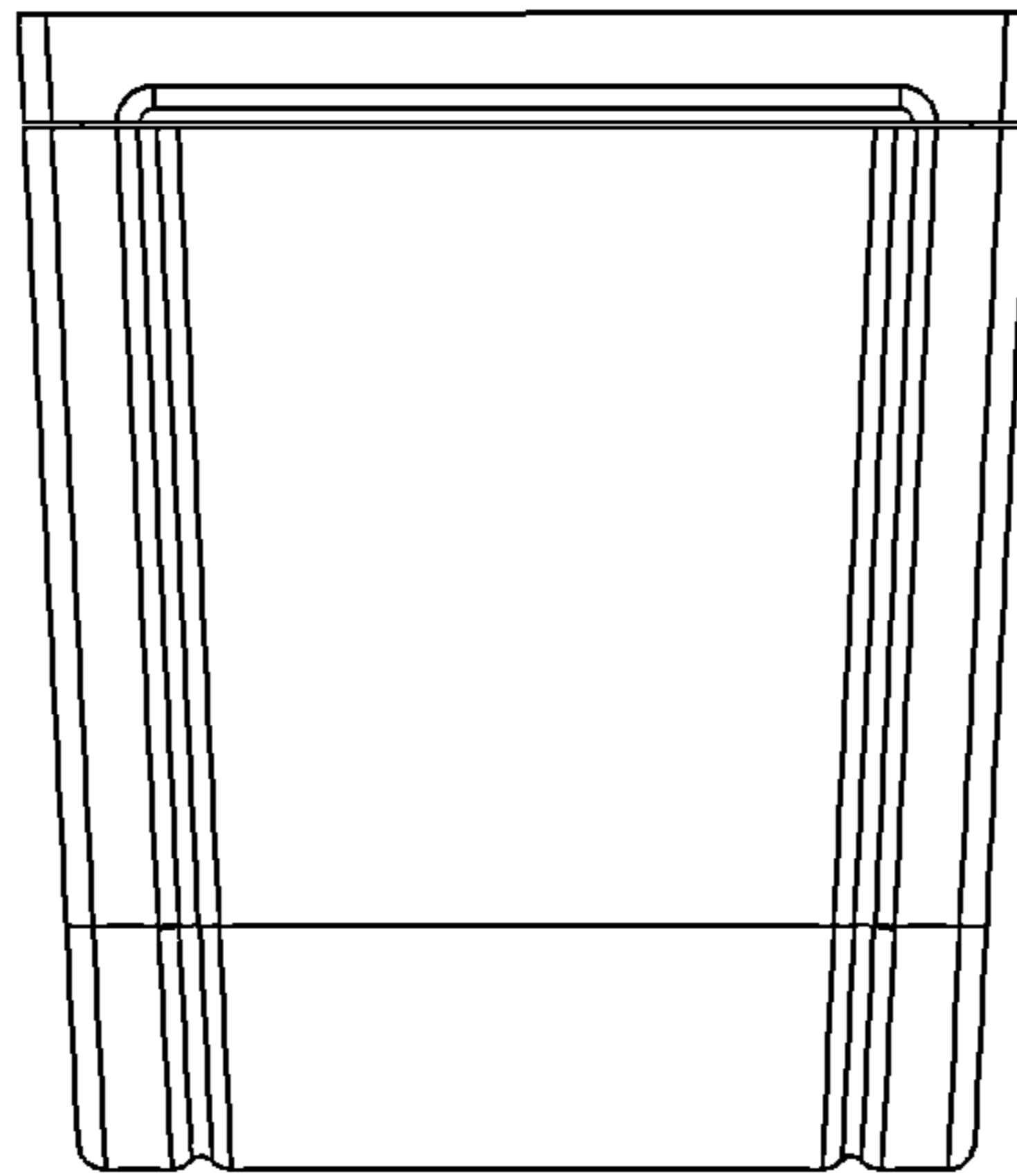


Fig. 6

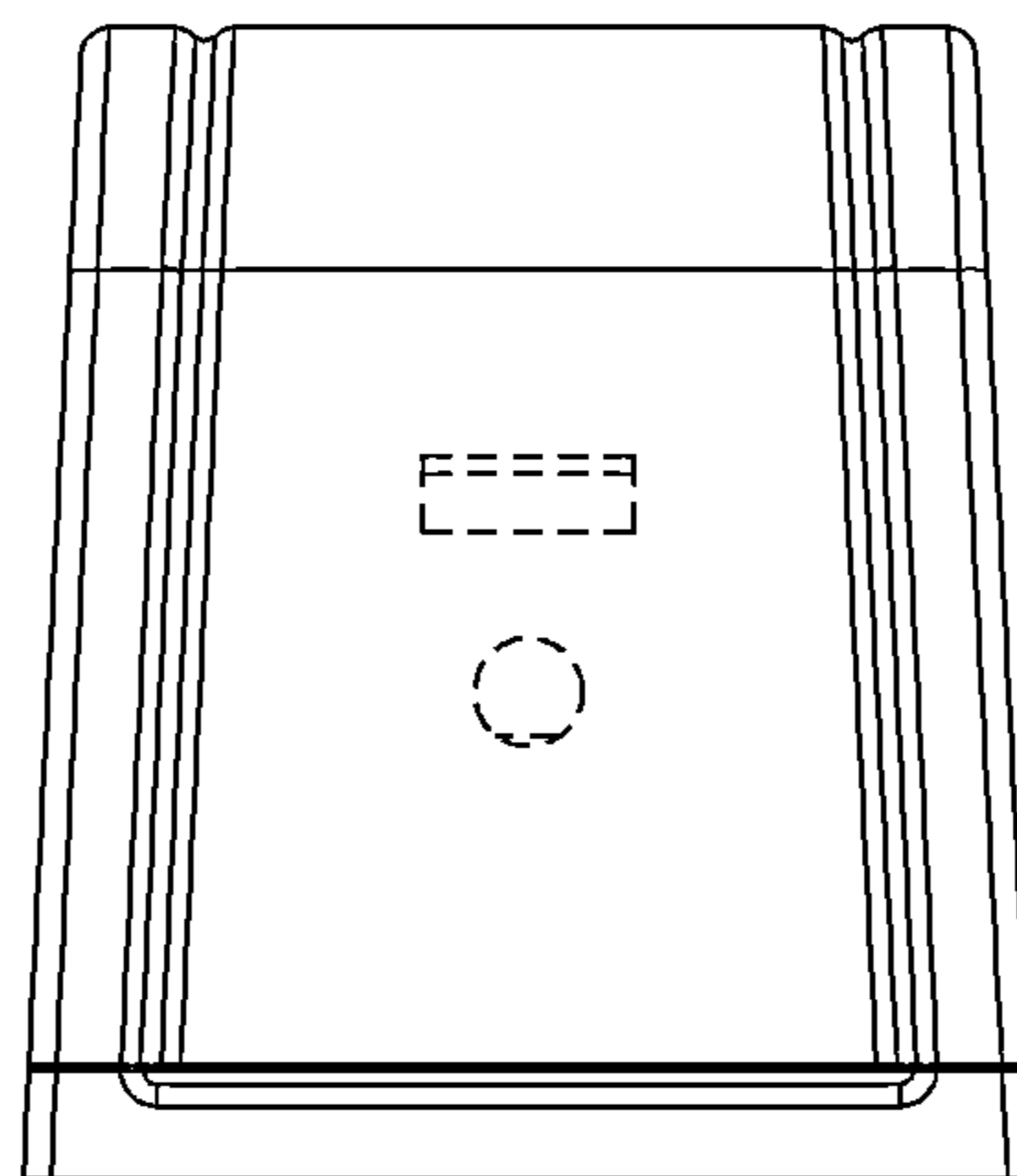


Fig. 7