



US00D680013S

(12) **United States Design Patent**
Ikeda et al.

(10) **Patent No.:** **US D680,013 S**
(45) **Date of Patent:** **** Apr. 16, 2013**

(54) **HUMAN BODY DETECTOR**

D632,600 S * 2/2011 Noguchi D10/106.6
D666,934 S * 9/2012 Krumpe et al. D10/106.6

(75) Inventors: **Hiroyuki Ikeda**, Otsu (JP); **Mataichi Kurata**, Otsu (JP)

* cited by examiner

(73) Assignee: **Optex Co., Ltd.** (JP)

Primary Examiner — George D Kirschbaum

(**) Term: **14 Years**

(74) *Attorney, Agent, or Firm* — Hanley, Flight & Zimmerman, LLC

(21) Appl. No.: **29/416,021**

(57) **CLAIM**

The ornamental design for a “human body detector,” as shown and described.

(22) Filed: **Mar. 16, 2012**

DESCRIPTION

(30) **Foreign Application Priority Data**

Sep. 16, 2011 (CN) 2011 3 0325716

(51) **LOC (9) Cl.** **10-05**

(52) **U.S. Cl.**
USPC **D10/106.6**

(58) **Field of Classification Search** ... D10/106.1–106.6;
340/531, 540, 555, 558, 571, 556, 628, 632,
340/640, 693.1

See application file for complete search history.

FIG. 1 is a right, front perspective view of a “human body detector;”

FIG. 2 is a front view of the “human body detector” of FIG. 1; FIG. 3 is a rear view of the “human body detector” of FIG. 1; FIG. 4 is a right side view of the “human body detector” of FIG. 1;

FIG. 5 is a left side view of the “human body detector” of FIG. 1;

FIG. 6 is a top view of the “human body detector” of FIG. 1; and,

FIG. 7 is a bottom view of the “human body detector” of FIG. 1.

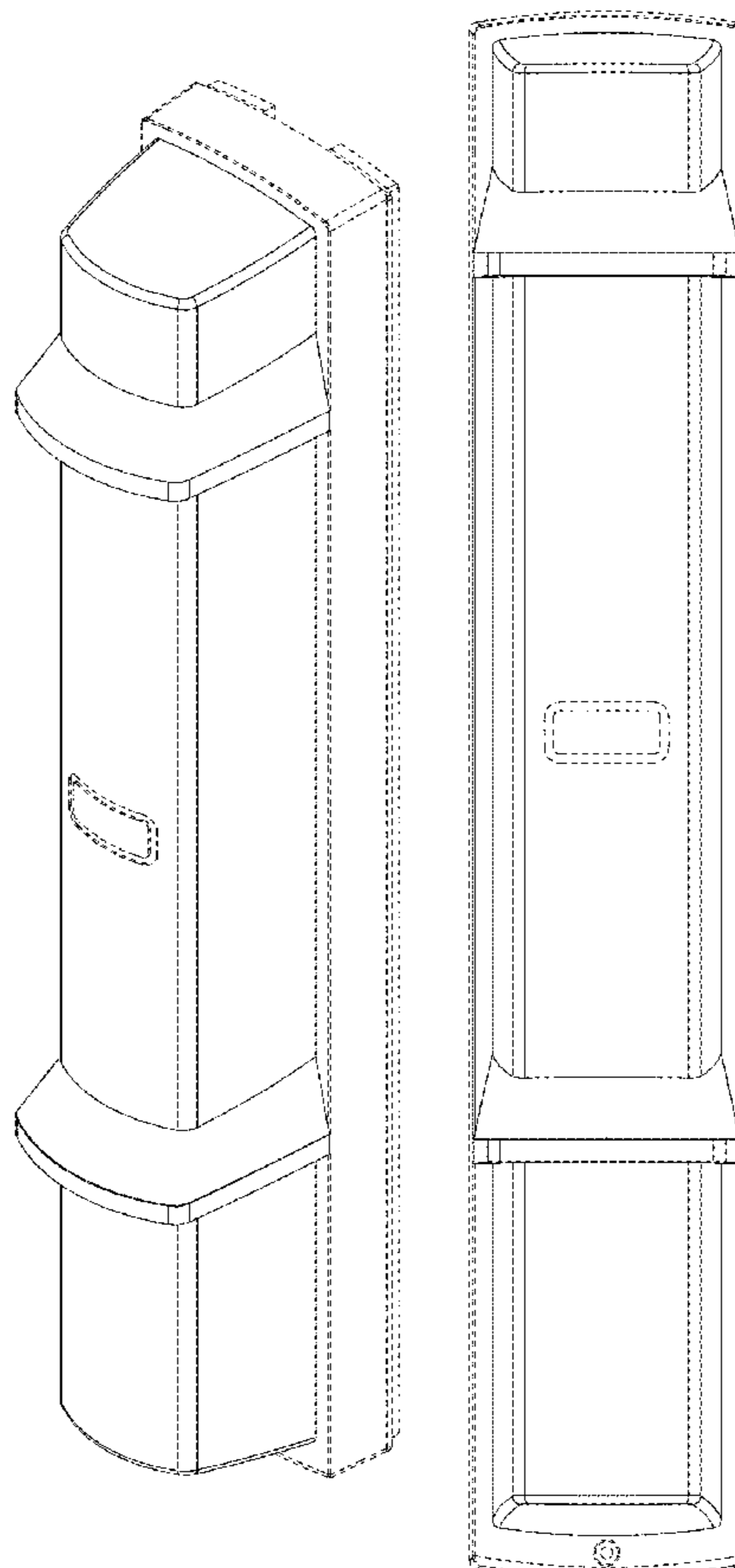
The broken lines are included for the purpose of illustrating portions of the article and form no part of the claimed design.

(56) **References Cited**

U.S. PATENT DOCUMENTS

D281,865 S * 12/1985 Abel D10/106.1
D537,746 S * 3/2007 Kageyama D10/106.6

1 Claim, 6 Drawing Sheets



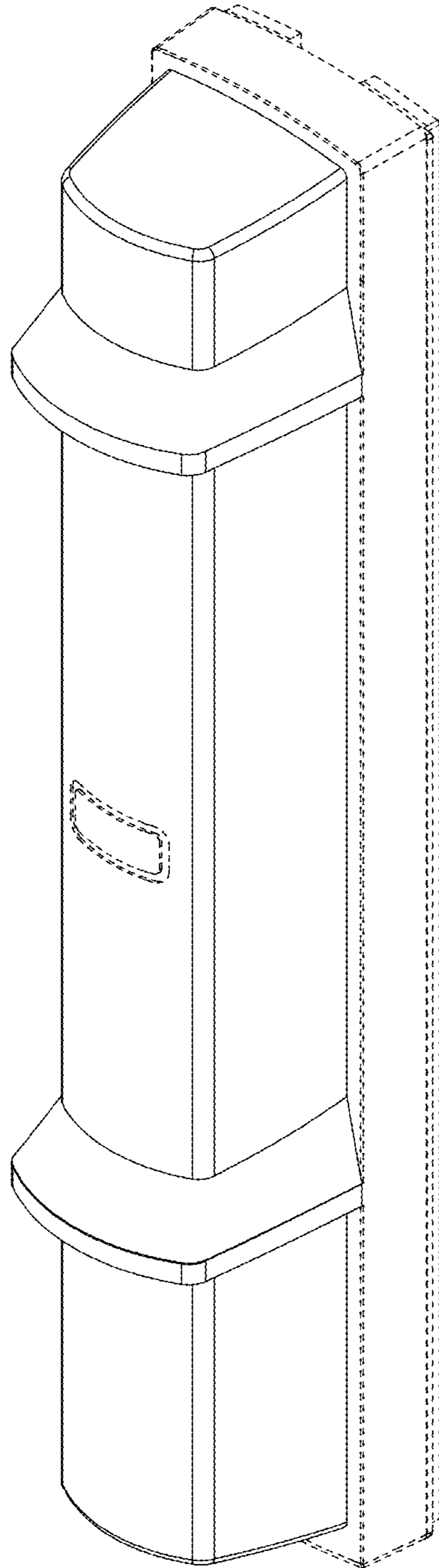


FIG. 1

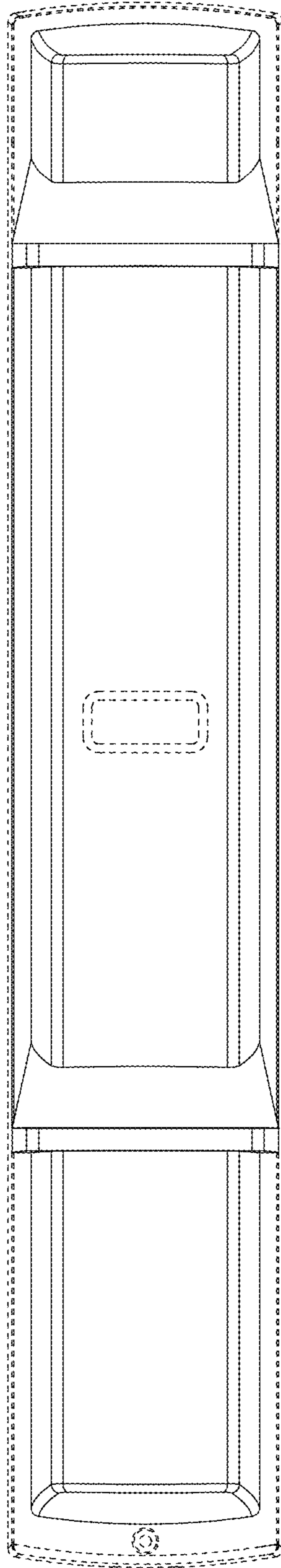


FIG. 2

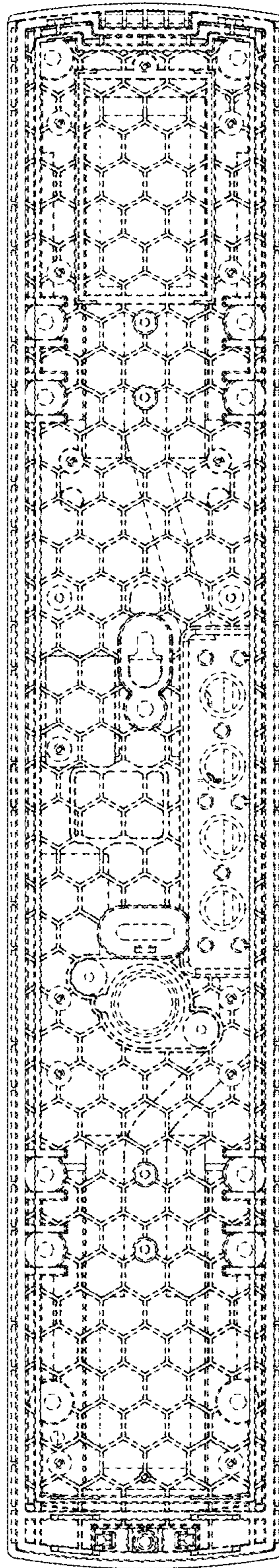


FIG. 3

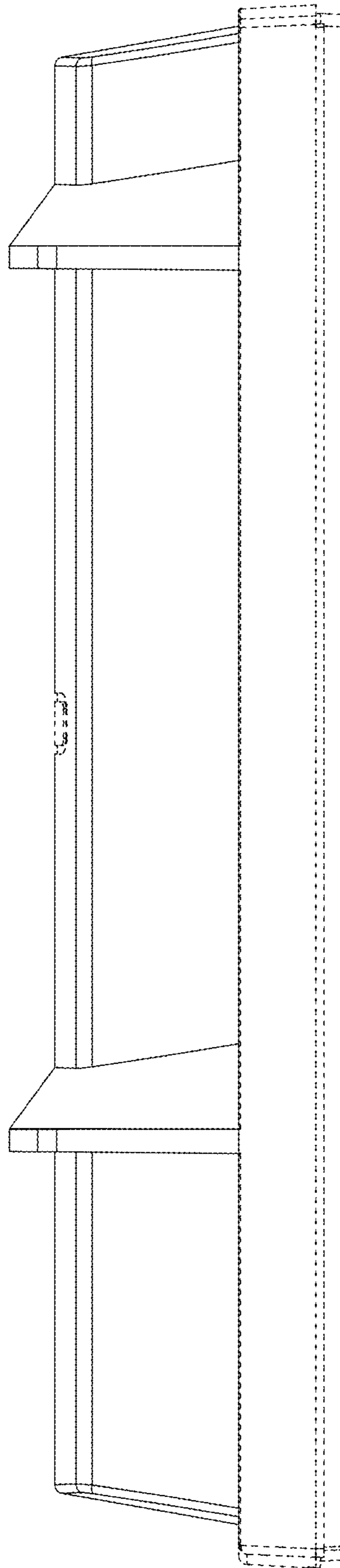


FIG. 4

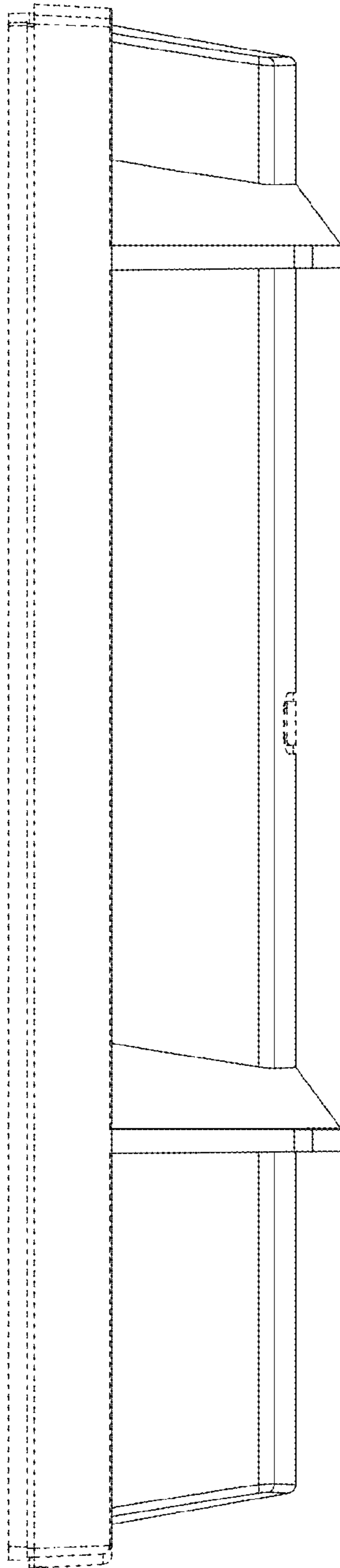


FIG. 5

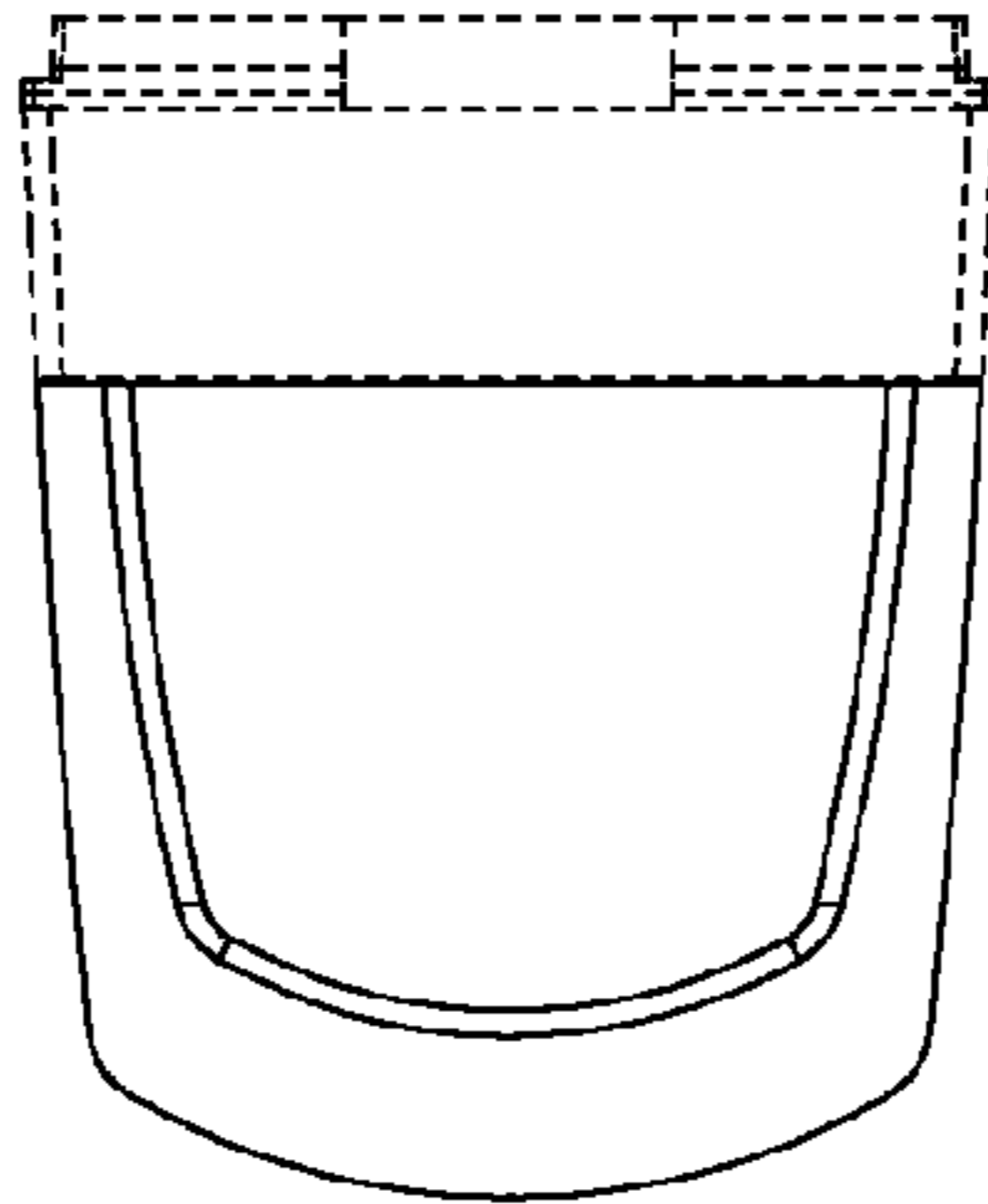


FIG. 6

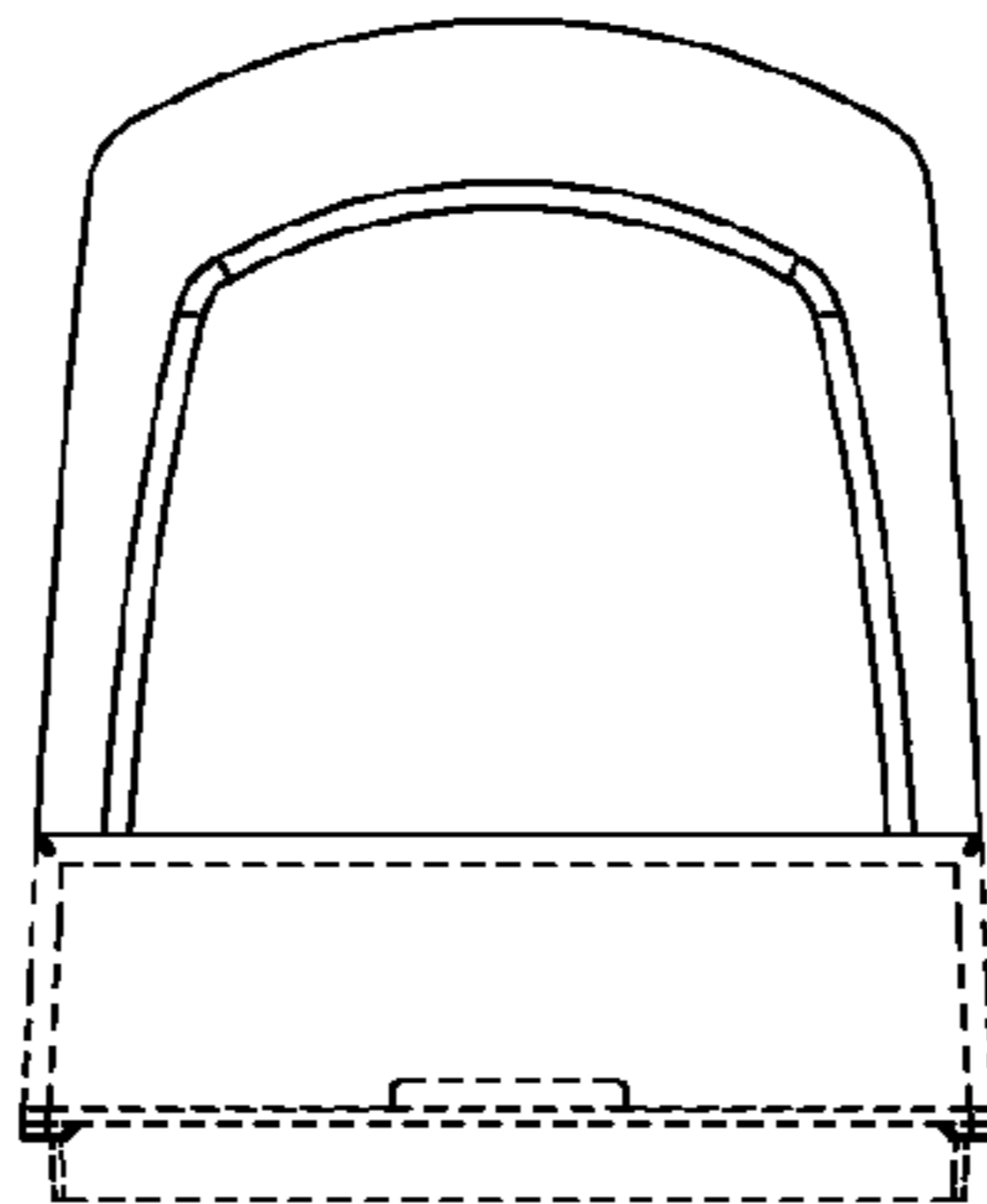


FIG. 7

UNITED STATES PATENT AND TRADEMARK OFFICE
CERTIFICATE OF CORRECTION

PATENT NO. : D680,013 S
APPLICATION NO. : 29/416021
DATED : April 16, 2013
INVENTOR(S) : Ikeda et al.

Page 1 of 1

It is certified that error appears in the above-identified patent and that said Letters Patent is hereby corrected as shown below:

Title Page

Item [30] Foreign Application Priority Data

“2011 3 0325716” should read -- 201130325716.6 --.

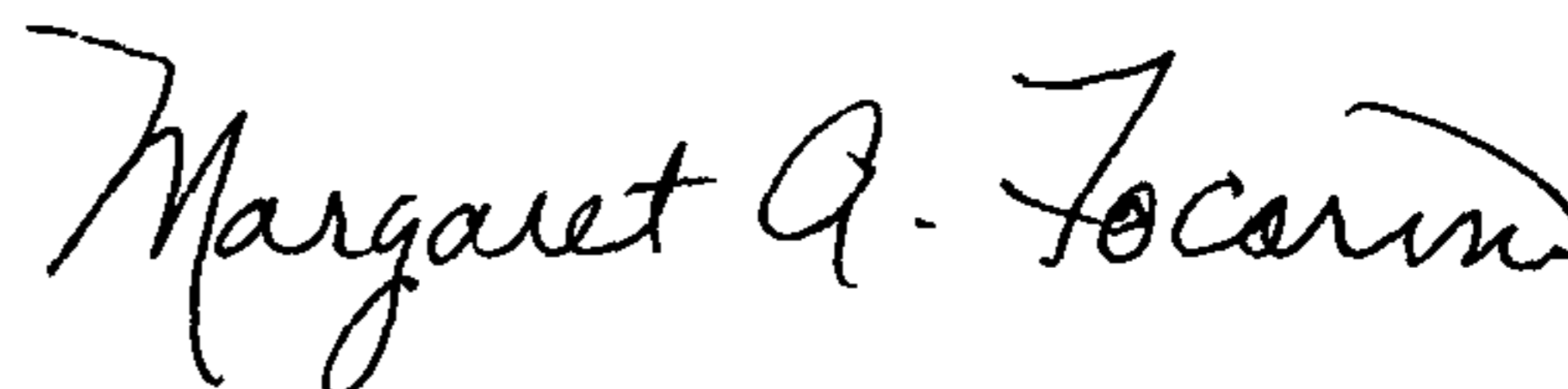
Title Page

Item [57] DESCRIPTION, line 13

Please add the following paragraph before “The broken lines”:

-- It is noted that this patent claims priority from Chinese Patent Application Serial Number 201130325716.6, which was filed on September 16, 2011 and is hereby incorporated by reference in its entirety. --.

Signed and Sealed this
Twenty-sixth Day of November, 2013



Margaret A. Focarino
Commissioner for Patents of the United States Patent and Trademark Office