



US00D680009S

(12) **United States Design Patent**  
**Marmier**

(10) **Patent No.:** **US D680,009 S**

(45) **Date of Patent:** **\*\* Apr. 16, 2013**

(54) **MEASURING INSTRUMENT**

(75) **Inventor:** **Yves Marmier**, La Chaux-de-Fonds  
(CH)

(73) **Assignee:** **Mettler-Toledo AG**, Greifensee (CH)

(\*\*) **Term:** **14 Years**

(21) **Appl. No.:** **29/416,424**

(22) **Filed:** **Mar. 22, 2012**

(30) **Foreign Application Priority Data**

Sep. 30, 2011 (EM) ..... 001925678

(51) **LOC (9) Cl.** ..... **10-04**

(52) **U.S. Cl.**  
USPC ..... **D10/56; D10/91**

(58) **Field of Classification Search** ..... D10/56,  
D10/62, 91; 73/1.02, 73, 76; 177/50, 180

See application file for complete search history.

(56) **References Cited**

U.S. PATENT DOCUMENTS

5,787,600 A \* 8/1998 Leisinger et al. .... 177/245  
7,851,712 B2 \* 12/2010 Luchinger ..... 73/76

\* cited by examiner

*Primary Examiner* — Antoine D Davis

(74) *Attorney, Agent, or Firm* — Standley Law Group LLP

(57) **CLAIM**

The ornamental design for a measuring instrument, as shown and described.

**DESCRIPTION**

FIG. 1 is a bottom and front perspective view of the measuring instrument;

FIG. 2 is a rear elevation view of the design;

FIG. 3 is a front elevation view of the design,

FIG. 4 is a right side elevation view of the design;

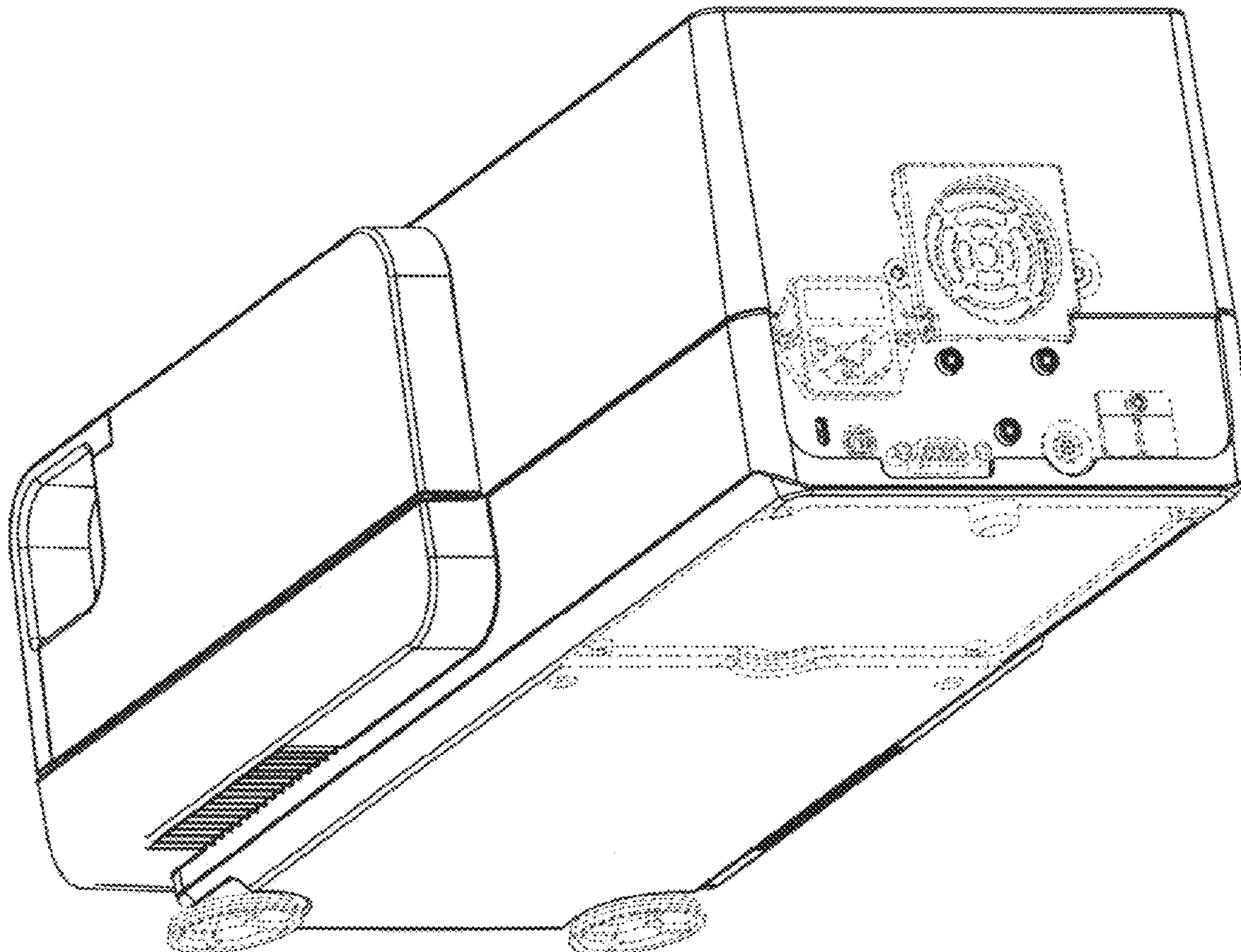
FIG. 5 is a left-side elevation view of the design;

FIG. 6 is a bottom plan view of the design; and,

FIG. 7 is a top plan view of the FIG. 1 holder.

Broken lining shows features of the measuring instrument that are not considered to be part of the design.

**1 Claim, 7 Drawing Sheets**



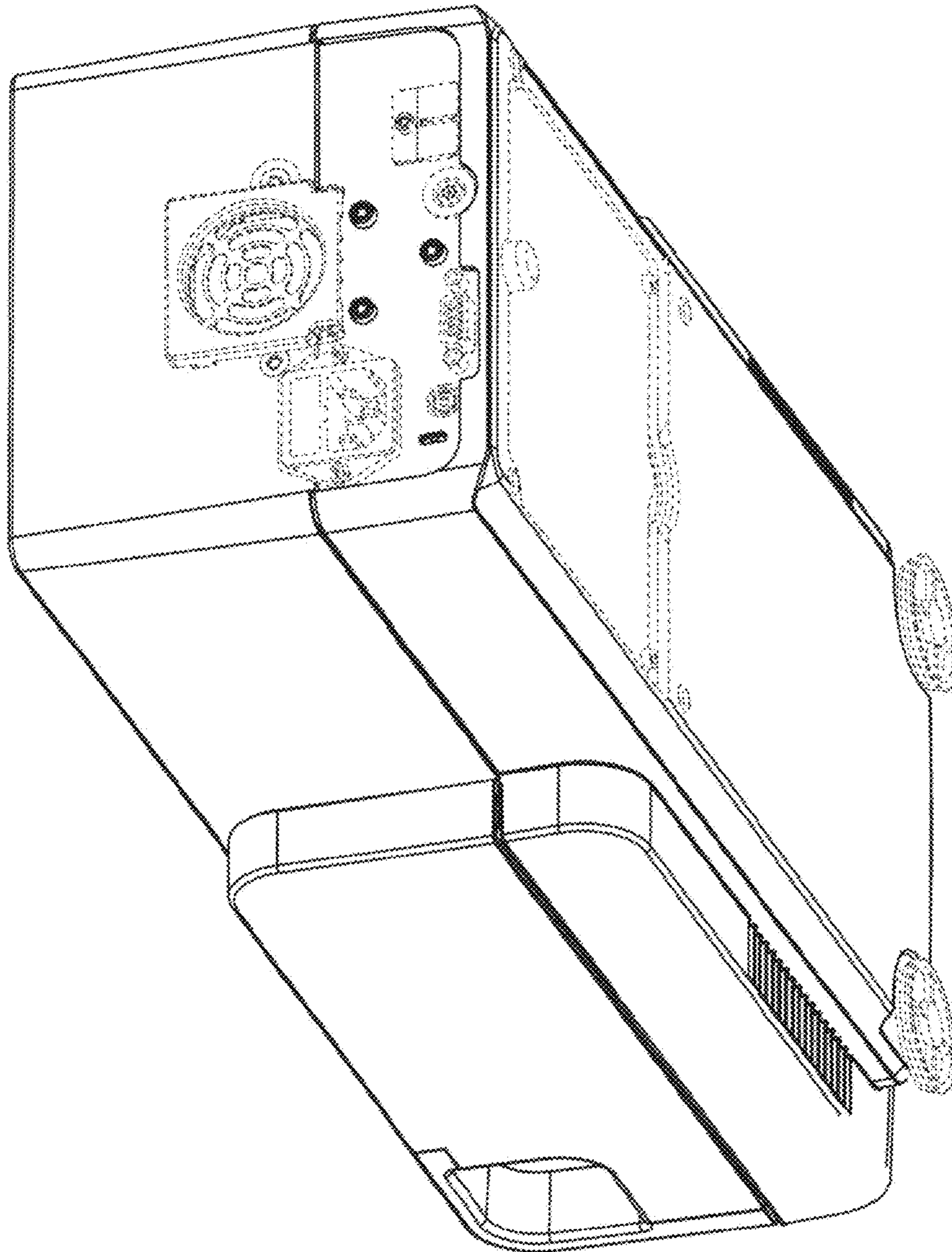


FIG. 1

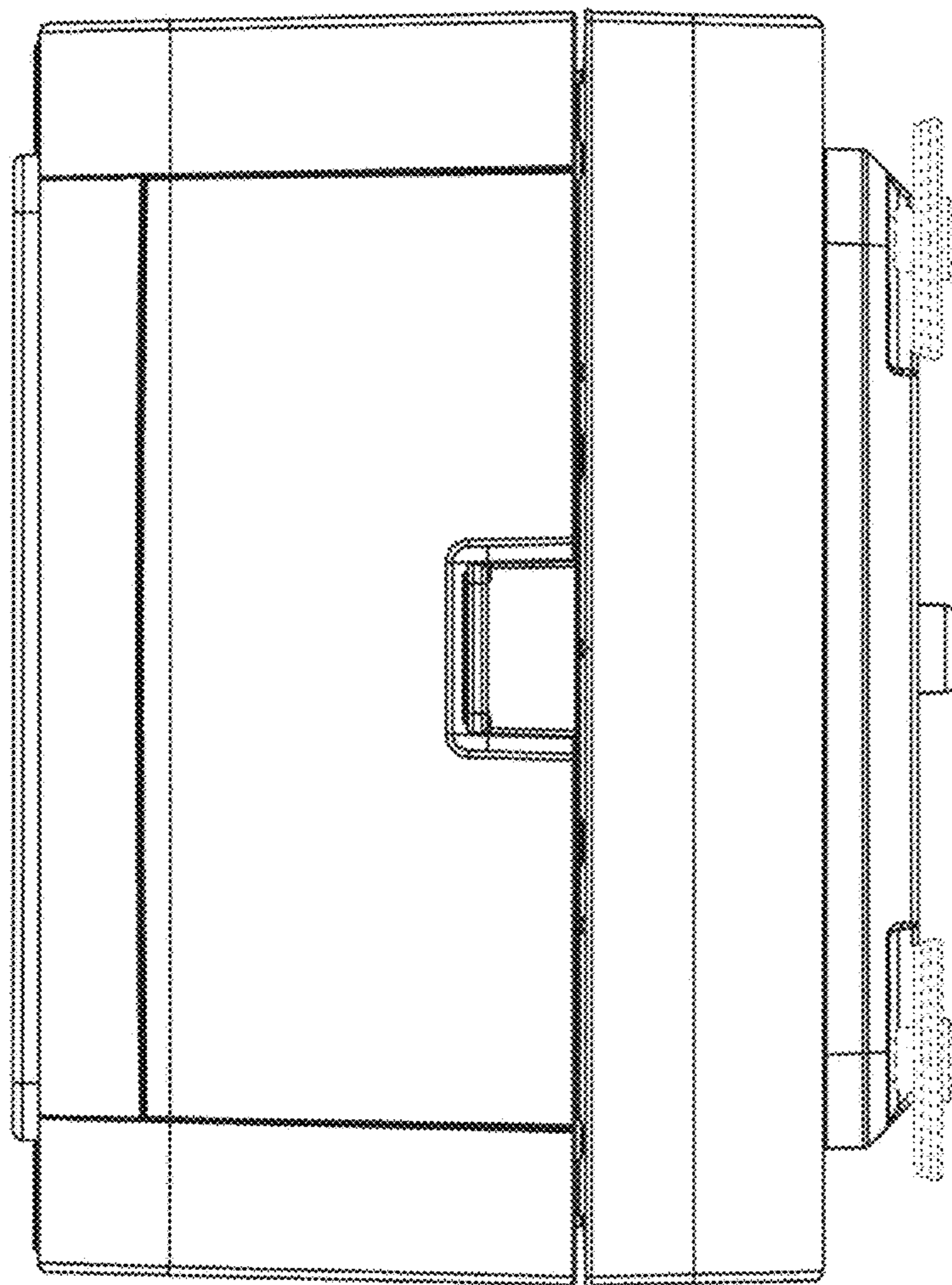


FIG. 2

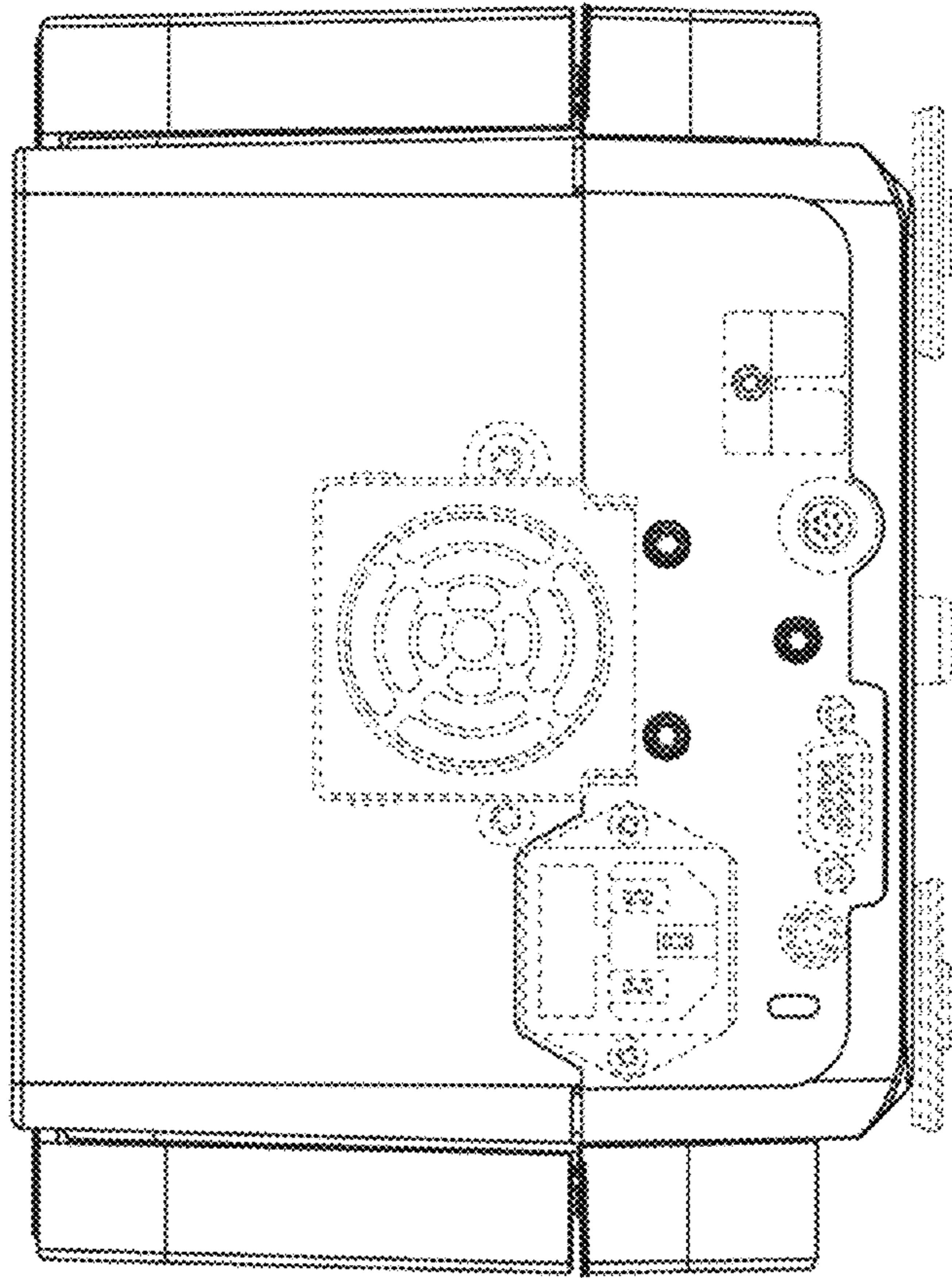


FIG. 3

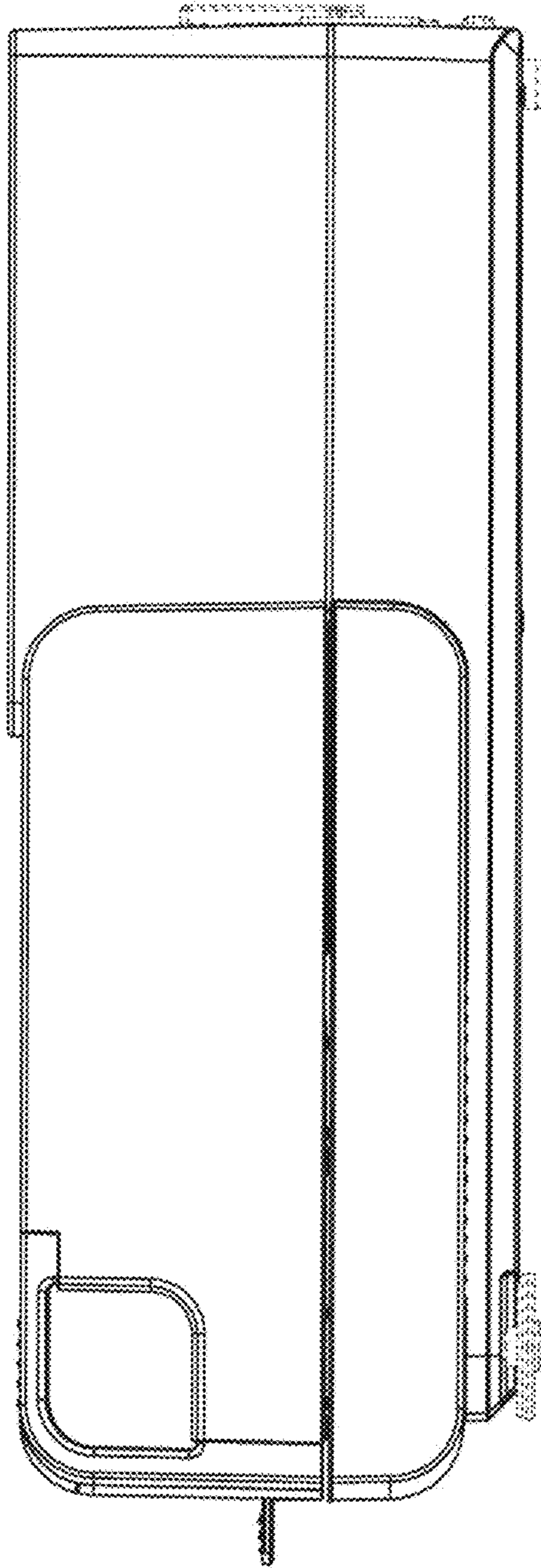


FIG. 4

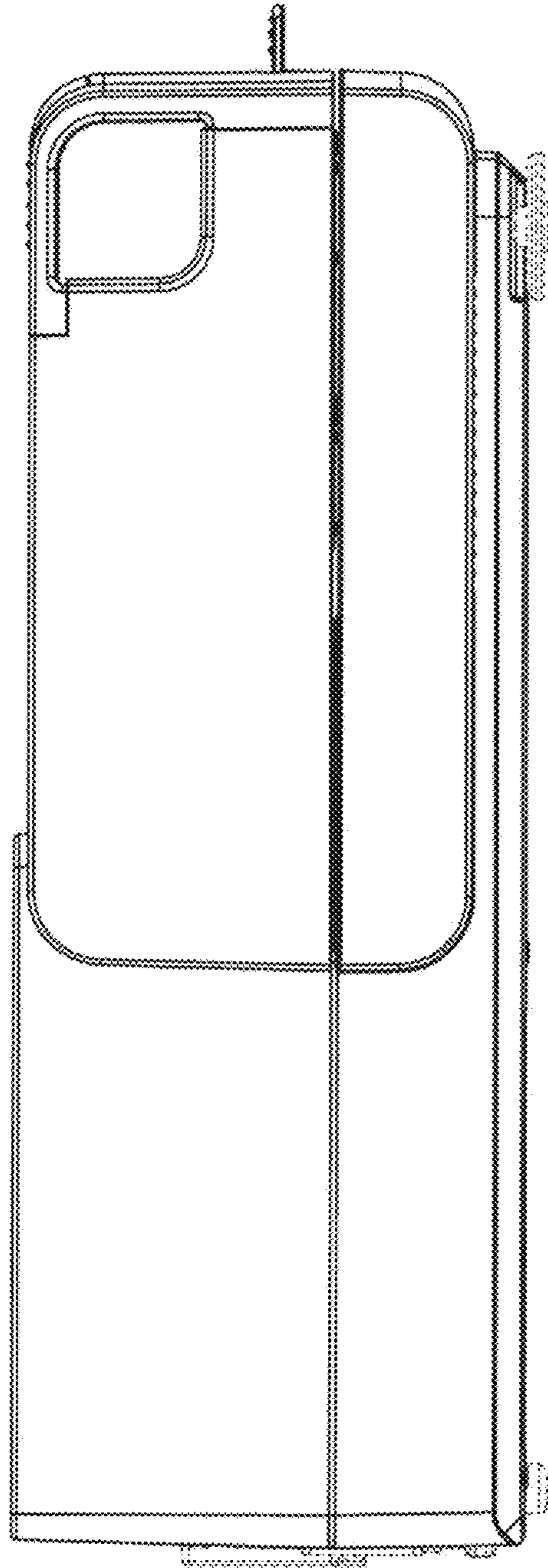


FIG. 5

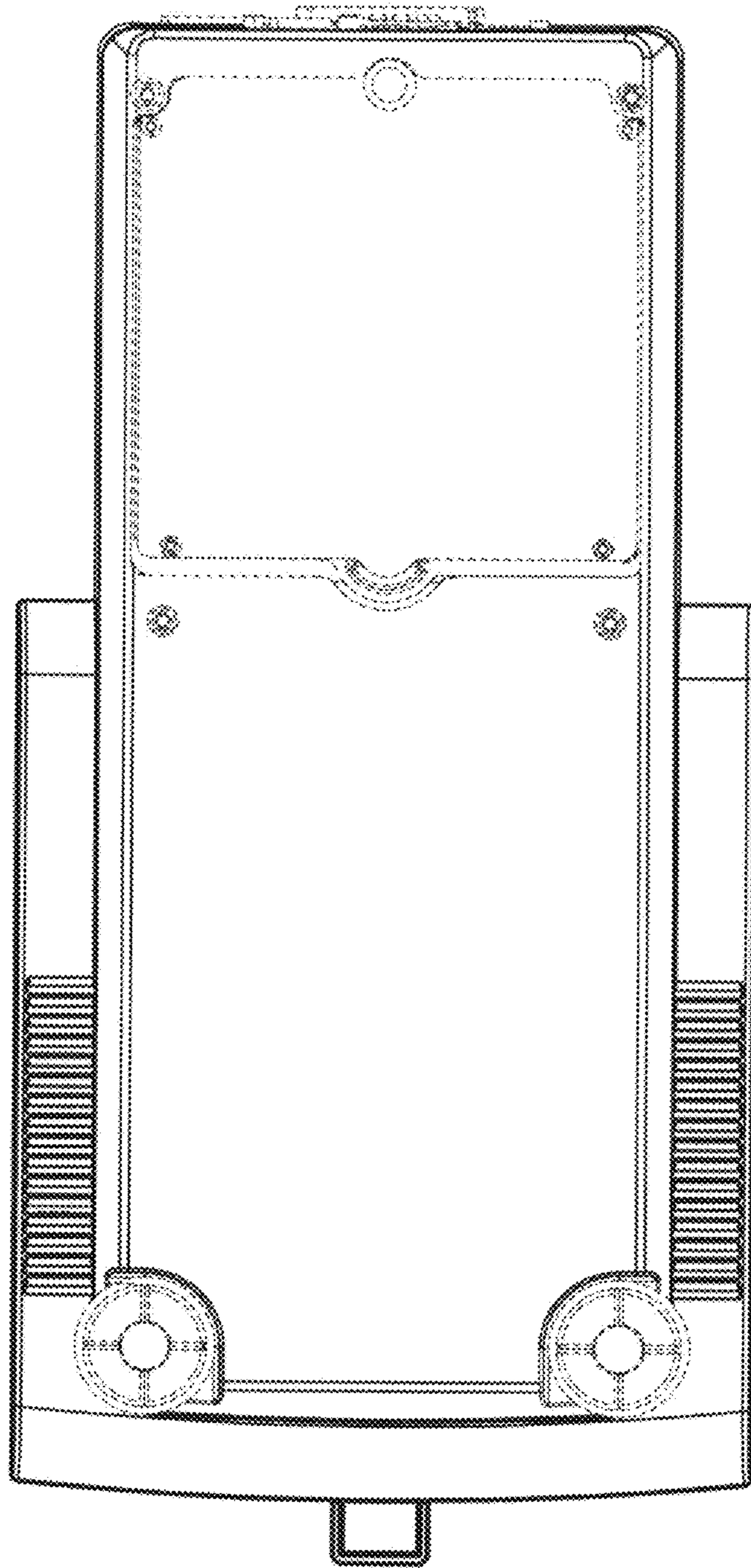


FIG. 6

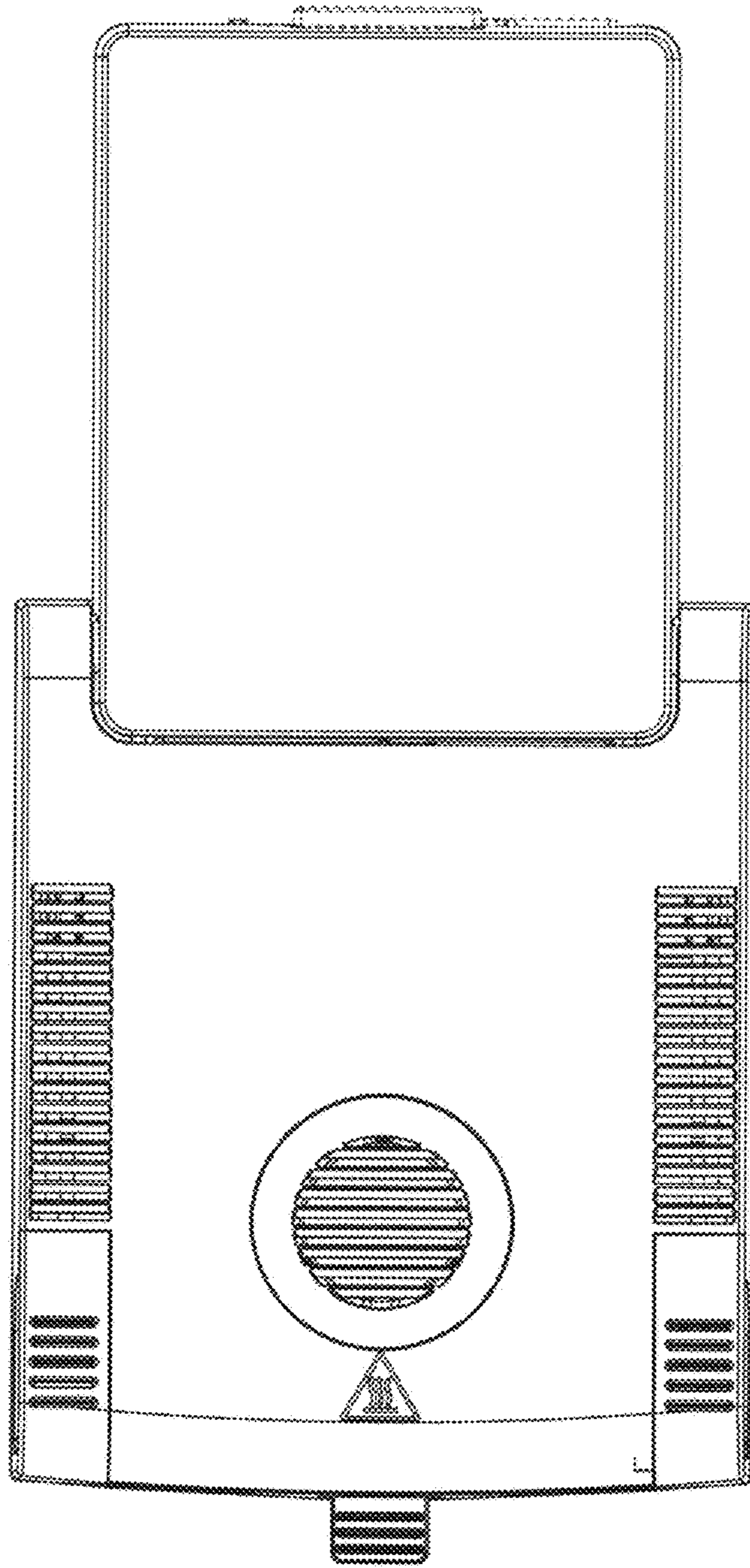


FIG. 7