



US00D680008S

(12) **United States Design Patent**  
**Ebner**

(10) **Patent No.:** **US D680,008 S**  
(45) **Date of Patent:** **\*\* Apr. 16, 2013**

(54) **WRIST WATCH CASE**

(71) Applicant: **Porsche Lizenz und  
Handelsgesellschaft MBH & Co. KG,**  
Bietigheim-Bissingen (DE)

(72) Inventor: **Siegfried Ebner,** Zell am See (AT)

(73) Assignee: **Porsche Lizenz und  
Handelsgesellschaft mbH & Co. KG**  
(DE)

(\*\*) Term: **14 Years**

(21) Appl. No.: **29/433,769**

(22) Filed: **Oct. 4, 2012**

(30) **Foreign Application Priority Data**

Apr. 24, 2012 (EM) ..... 002032011

(51) **LOC (9) Cl.** ..... **10-02**

(52) **U.S. Cl.**  
USPC ..... **D10/38**

(58) **Field of Classification Search** ..... D10/30-39;  
368/276, 281, 282, 285  
See application file for complete search history.

(56) **References Cited**

**U.S. PATENT DOCUMENTS**

D329,022 S *	9/1992	Bulgari	.....	D10/39
D352,465 S *	11/1994	Ventrella	.....	D10/32
D361,285 S *	8/1995	Bulgari	.....	D10/39
D362,395 S *	9/1995	Chodat	.....	D10/30

5,508,979 A *	4/1996	Eisenegger	.....	368/15
D377,150 S *	1/1997	Hartzband	.....	D10/32
5,673,238 A *	9/1997	Berney	.....	368/80
D419,892 S *	2/2000	Bulgari	.....	D10/32
D436,045 S *	1/2001	Giardiello	.....	D10/32
D444,078 S *	6/2001	Strasser	.....	D10/39
D472,479 S *	4/2003	Chien	.....	D10/32
D511,108 S *	11/2005	Plange	.....	D10/39
D526,574 S *	8/2006	Plange	.....	D10/32
D551,992 S *	10/2007	Howard et al.	.....	D10/38
D558,610 S *	1/2008	Howard et al.	.....	D10/38
D573,486 S *	7/2008	Sanz	.....	D10/38
D589,373 S *	3/2009	Chen	.....	D10/32
D600,145 S *	9/2009	Schoepfer	.....	D10/38

\* cited by examiner

*Primary Examiner* — Lucy Lieberman

(74) *Attorney, Agent, or Firm* — Gerald E. Hespos; Michael J. Porco; Matthew T. Hespos

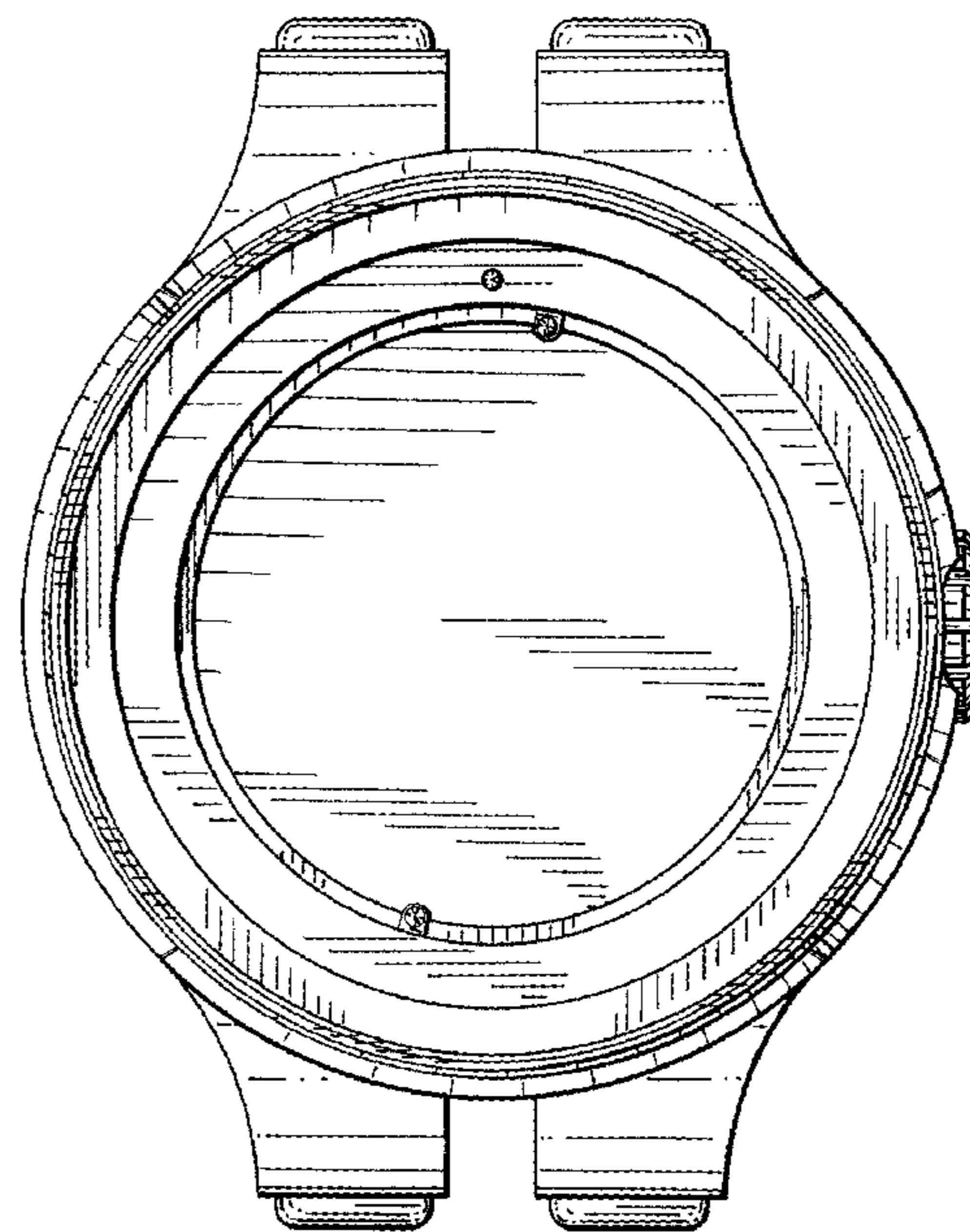
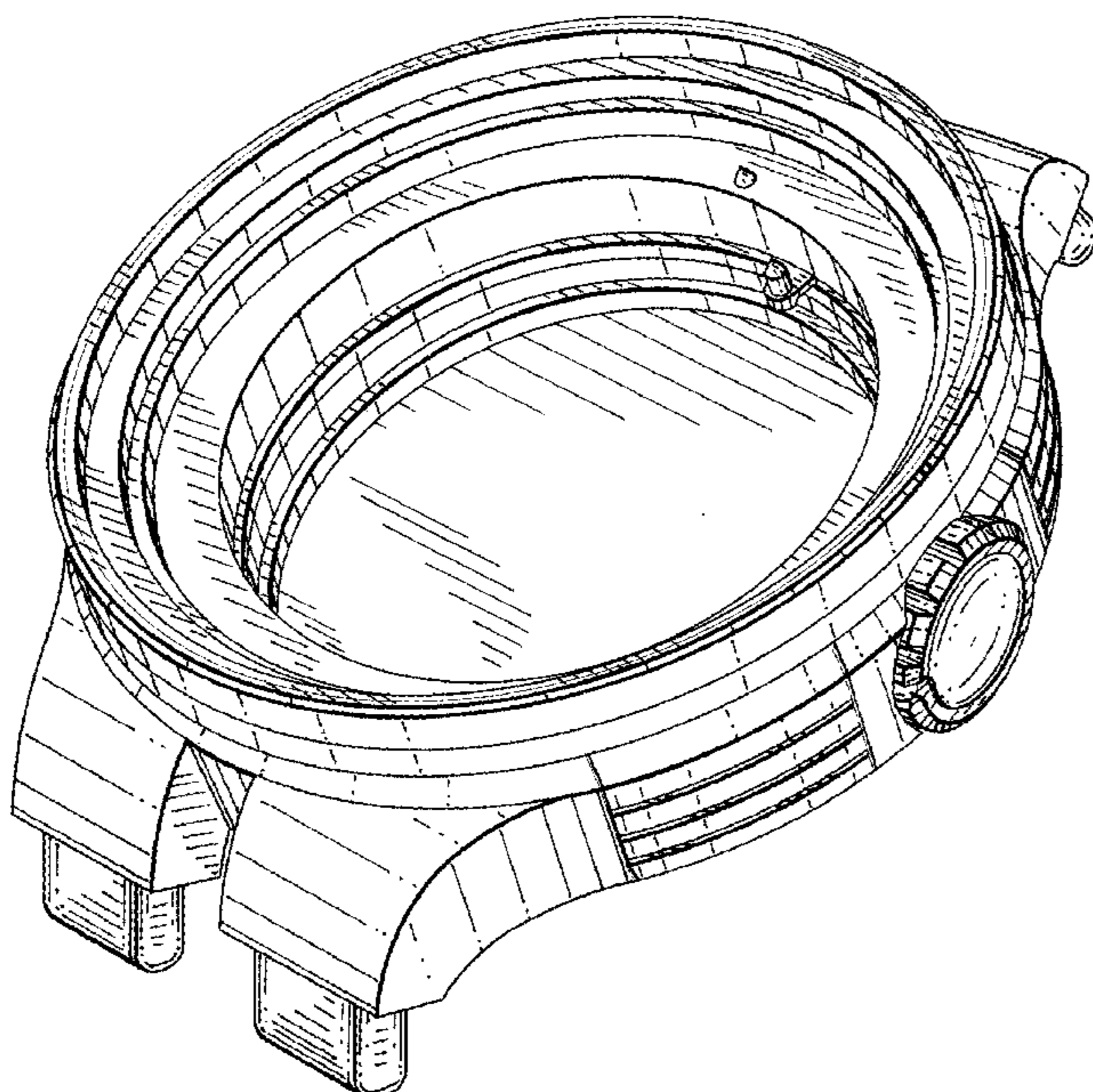
(57) **CLAIM**

The ornamental design of a wrist watch case, as shown and described.

**DESCRIPTION**

FIG. 1 is a perspective view of a wrist watch case in accordance with my design;  
FIG. 2 is a top plan view of the wrist watch case of FIG. 1;  
FIG. 3 is a front elevational view of the wrist watch case shown in FIGS. 1 and 2;  
FIG. 4 is a right side elevational view thereof;  
FIG. 5 is a left side elevational view thereof;  
FIG. 6 is a rear elevation view thereof; and,  
FIG. 7 is a bottom plan view thereof.

**1 Claim, 5 Drawing Sheets**



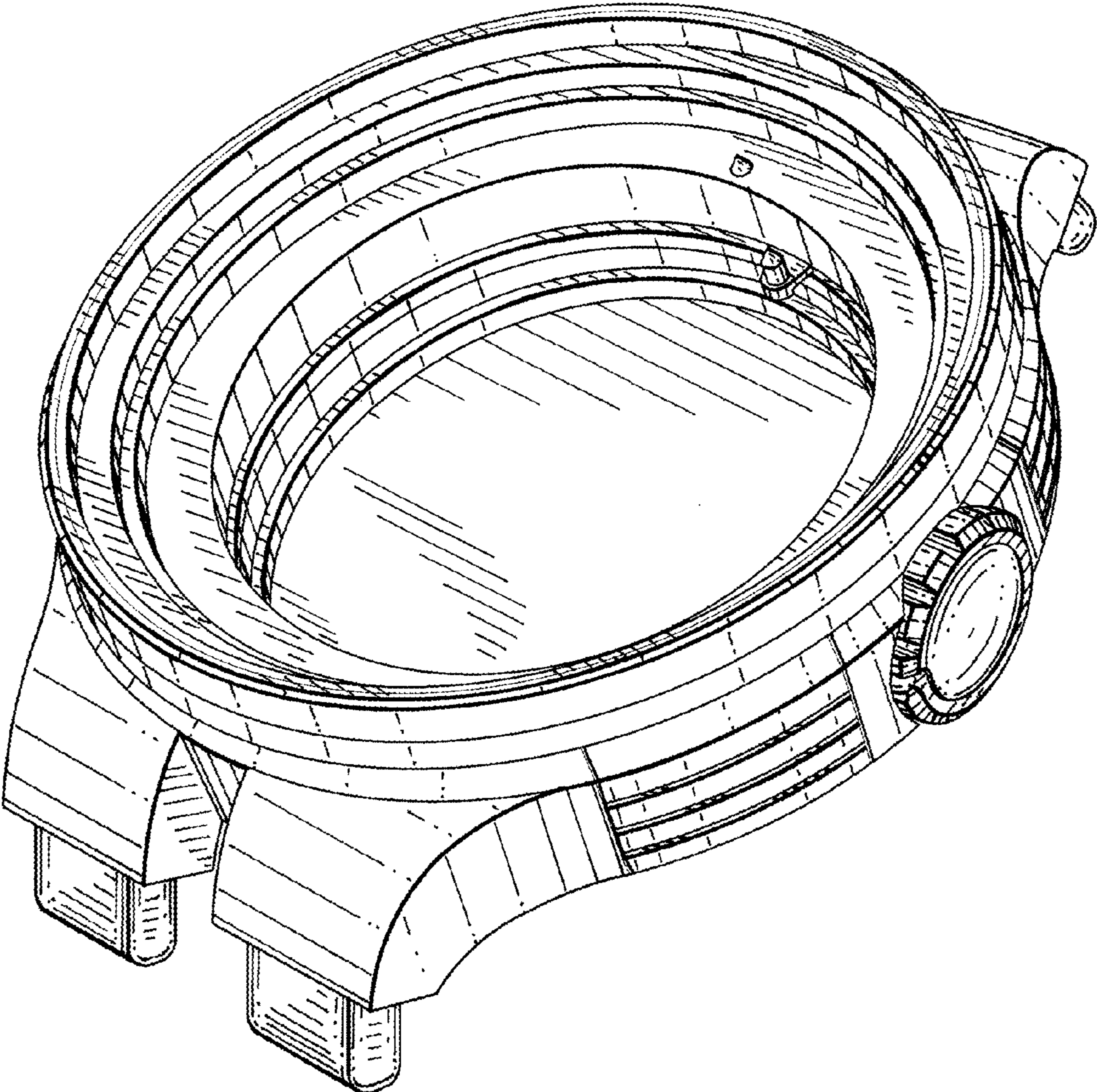


FIG. 1

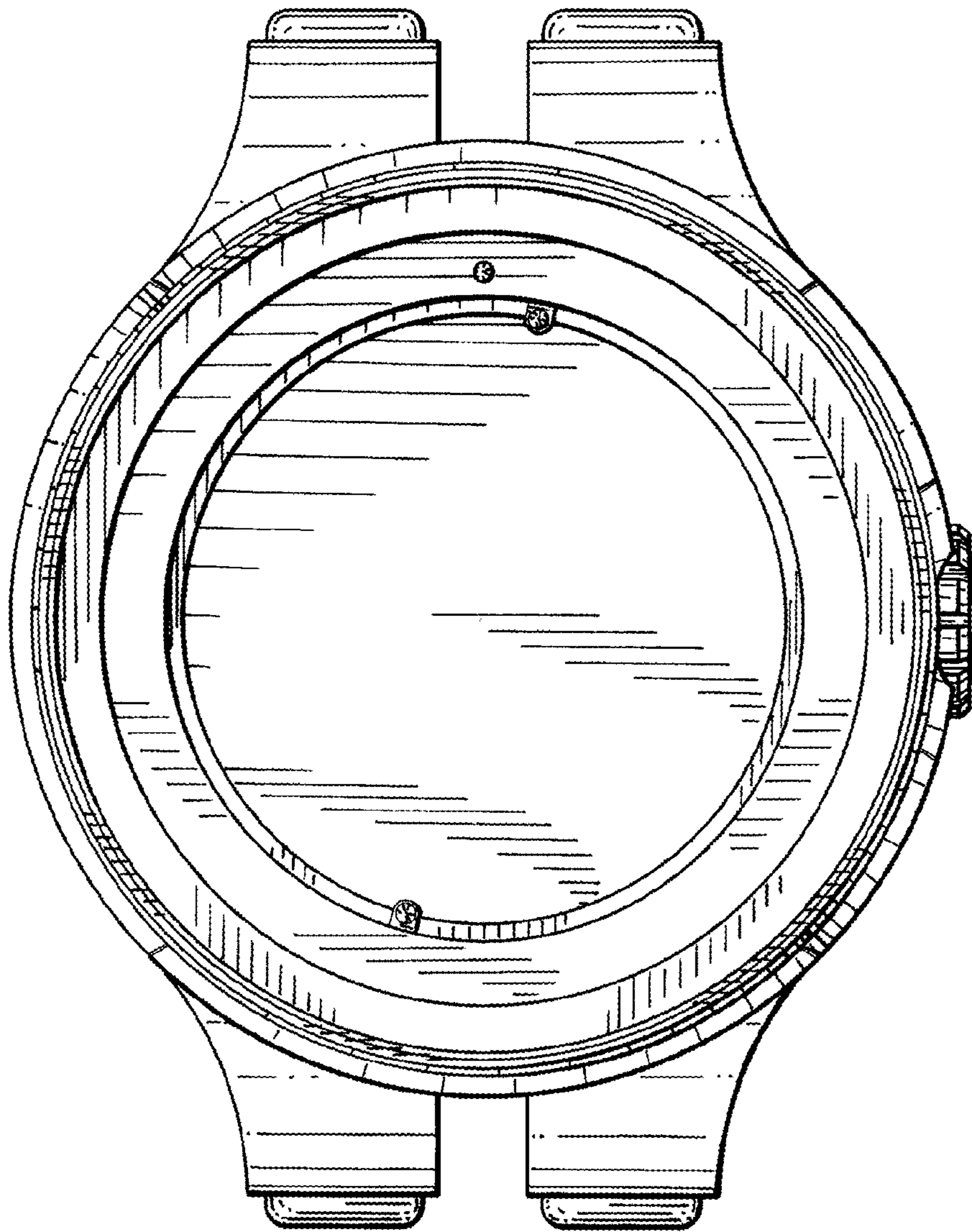


FIG.2

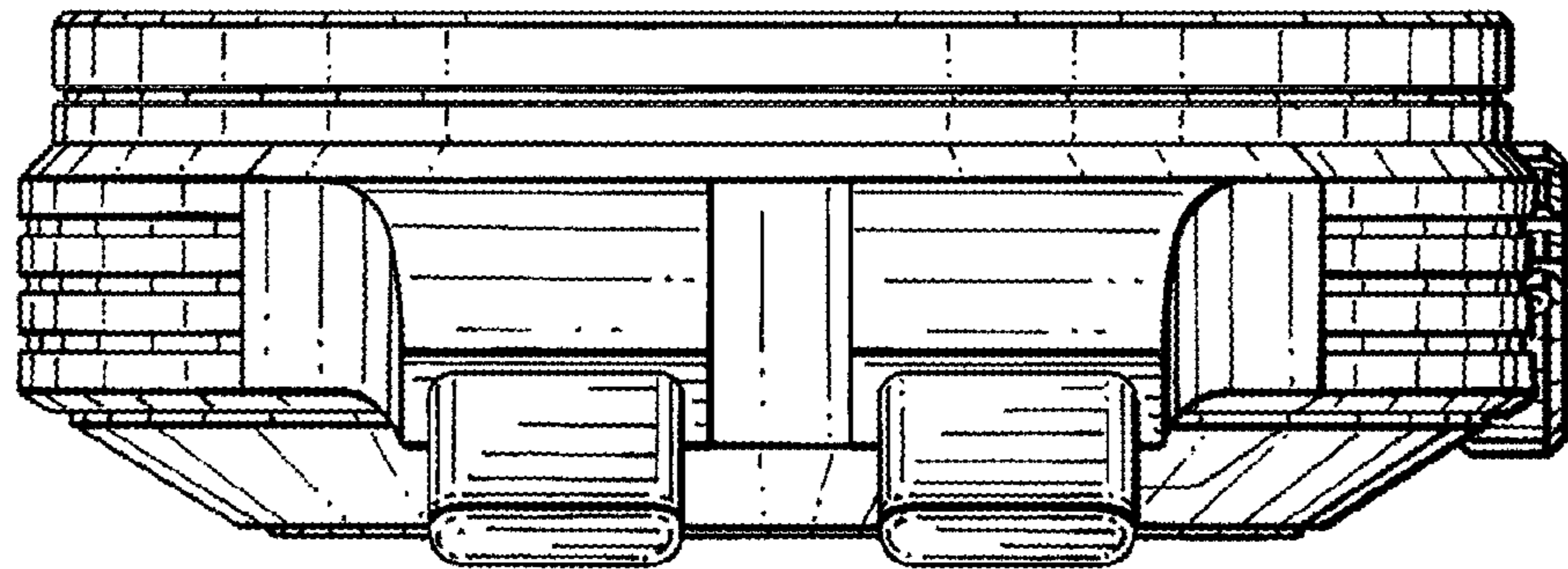


FIG. 3

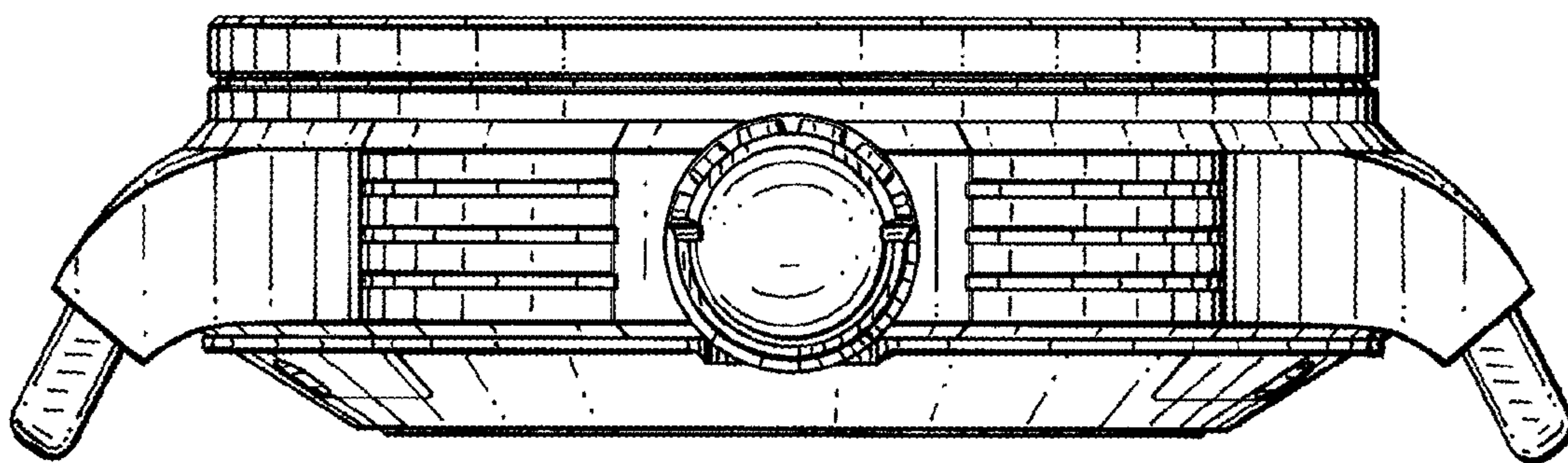


FIG. 4

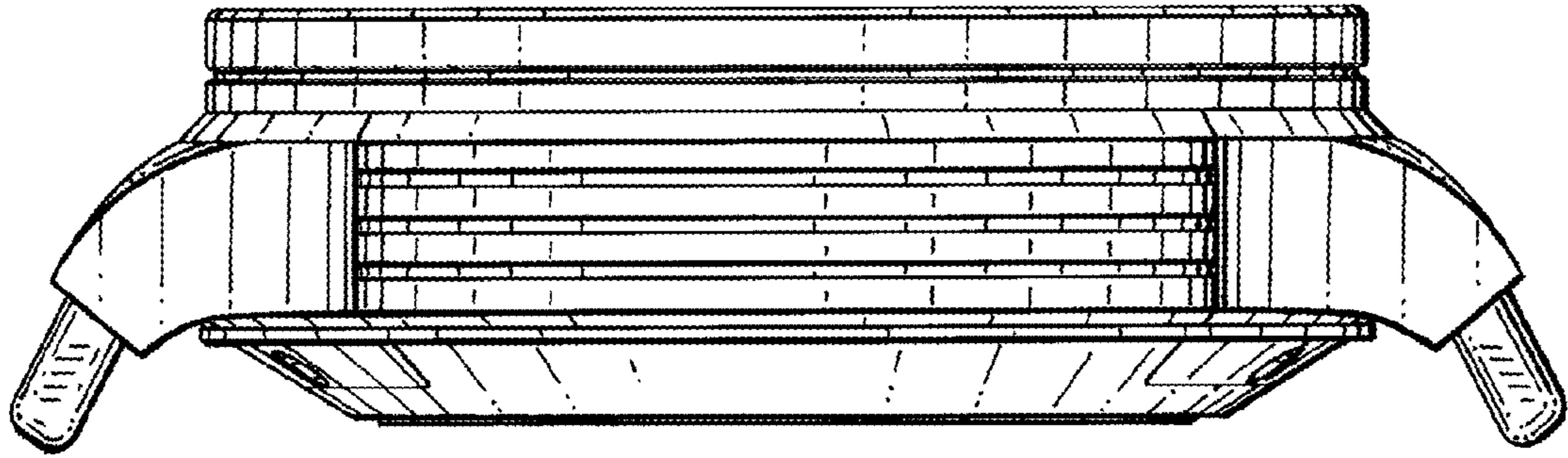


FIG. 5

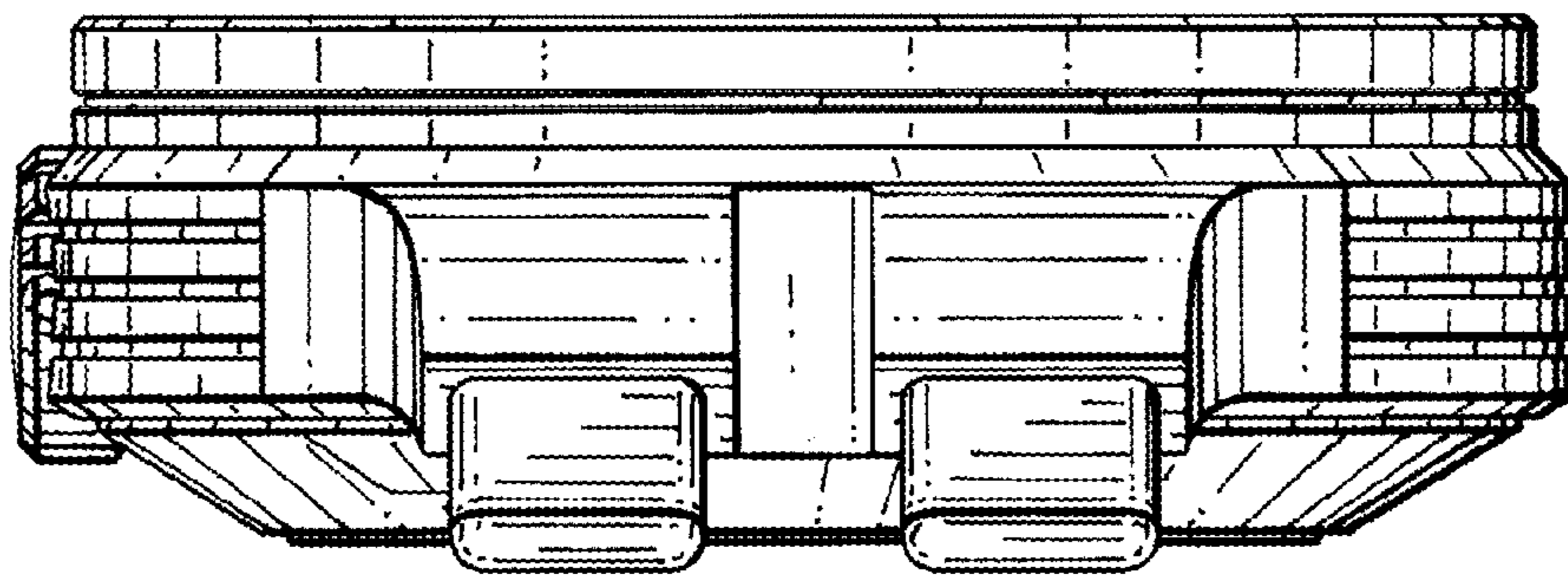


FIG. 6

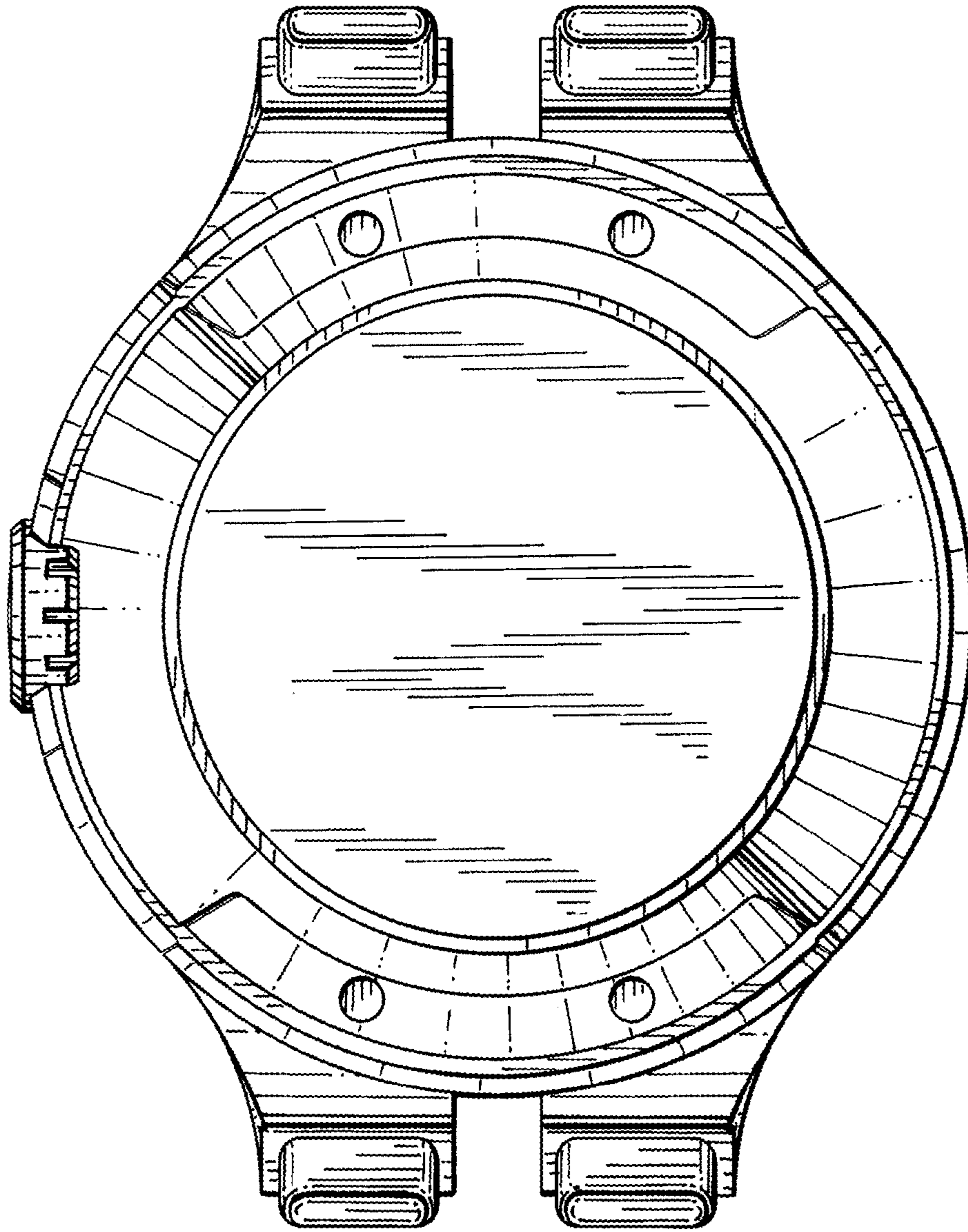


FIG. 7