



US00D680005S

(12) **United States Design Patent**
Eble

(10) **Patent No.:** **US D680,005 S**
(45) **Date of Patent:** **** Apr. 16, 2013**

(54) **CONTAINER**

(75) Inventor: **Raymond C. Eble**, Sugarloaf, PA (US)

(73) Assignee: **Pretium Packaging, L.L.C.**,
Chesterfield, MO (US)

(**) Term: **14 Years**

(21) Appl. No.: **29/407,202**

(22) Filed: **Nov. 23, 2011**

(51) **LOC (9) Cl.** **09-01**

(52) **U.S. Cl.**
USPC **D9/668**

(58) **Field of Classification Search** D7/514–515,
D7/606, 613, 619.2, 901; D9/600, 668, 516,
D9/519; 206/457, 527, 540; 220/890
See application file for complete search history.

(56) **References Cited**

U.S. PATENT DOCUMENTS

D340,076 S * 10/1993 Turner D7/515
D376,730 S * 12/1996 Hurst et al. D7/515
D394,884 S * 6/1998 Paolucci D21/372
D409,443 S * 5/1999 Clark et al. D7/515

D415,929 S * 11/1999 D'Arrigo D7/515
D513,686 S * 1/2006 Bailey D7/515
D665,266 S * 8/2012 Gelin D9/668

* cited by examiner

Primary Examiner — Sandra Morris

(74) *Attorney, Agent, or Firm* — Lewis, Rice & Fingersh,
L.C.

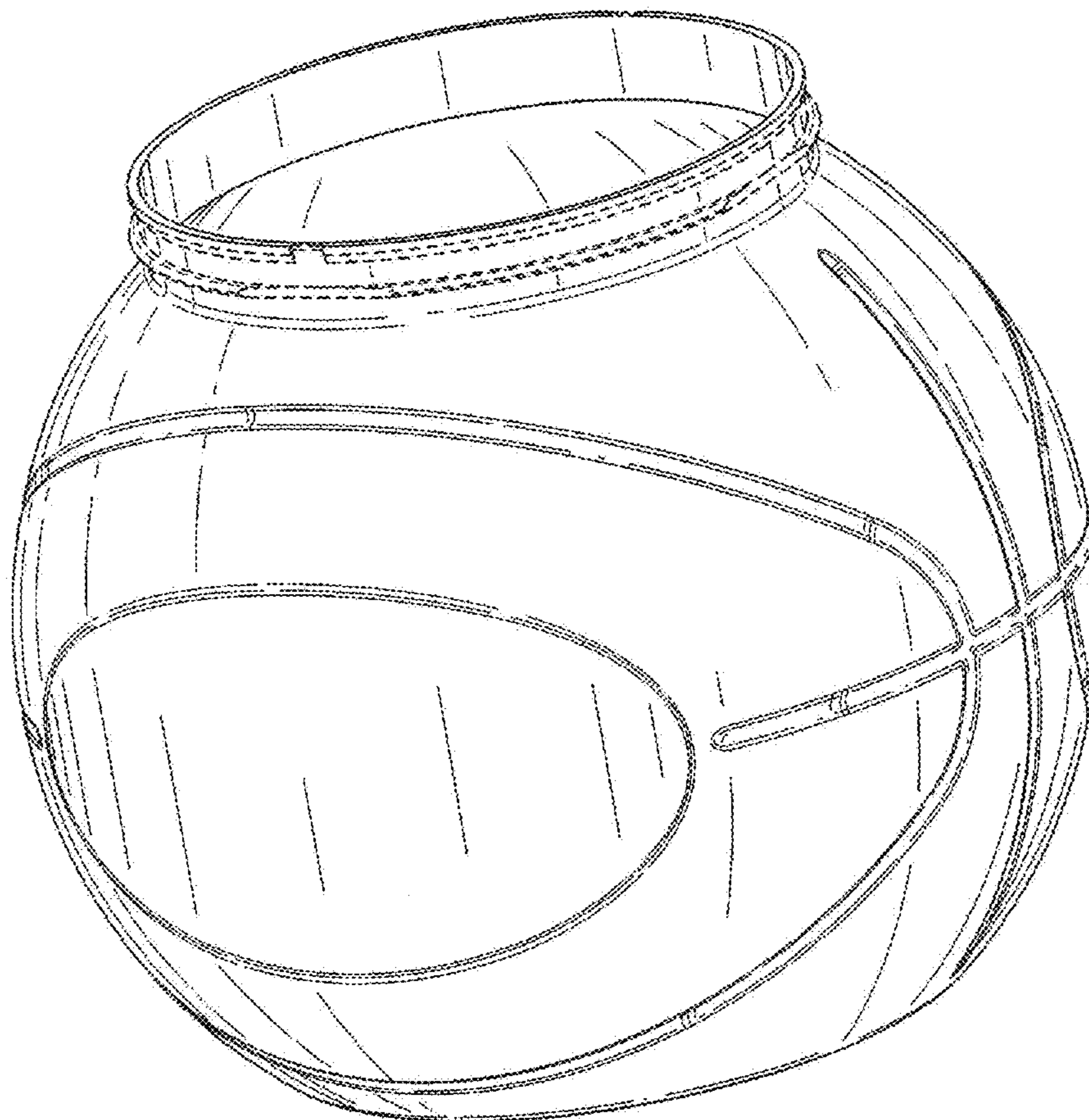
(57) **CLAIM**

The ornamental design for a container, as shown and described.

DESCRIPTION

FIG. 1 Provides a front view of a container
FIG. 2 Provides a rear view of a container.
FIG. 3 Provides a left side view of a container.
FIG. 4 Provides a right side view of a container.
FIG. 5 provides a top view of a container.
FIG. 6 Provides a bottom view of a container; and,
FIG. 7 provides a front perspective view of a container.
The broken lines showing elements of the base and connectors for the lid are for illustrative purposes only and form no part of the invention.

1 Claim, 7 Drawing Sheets



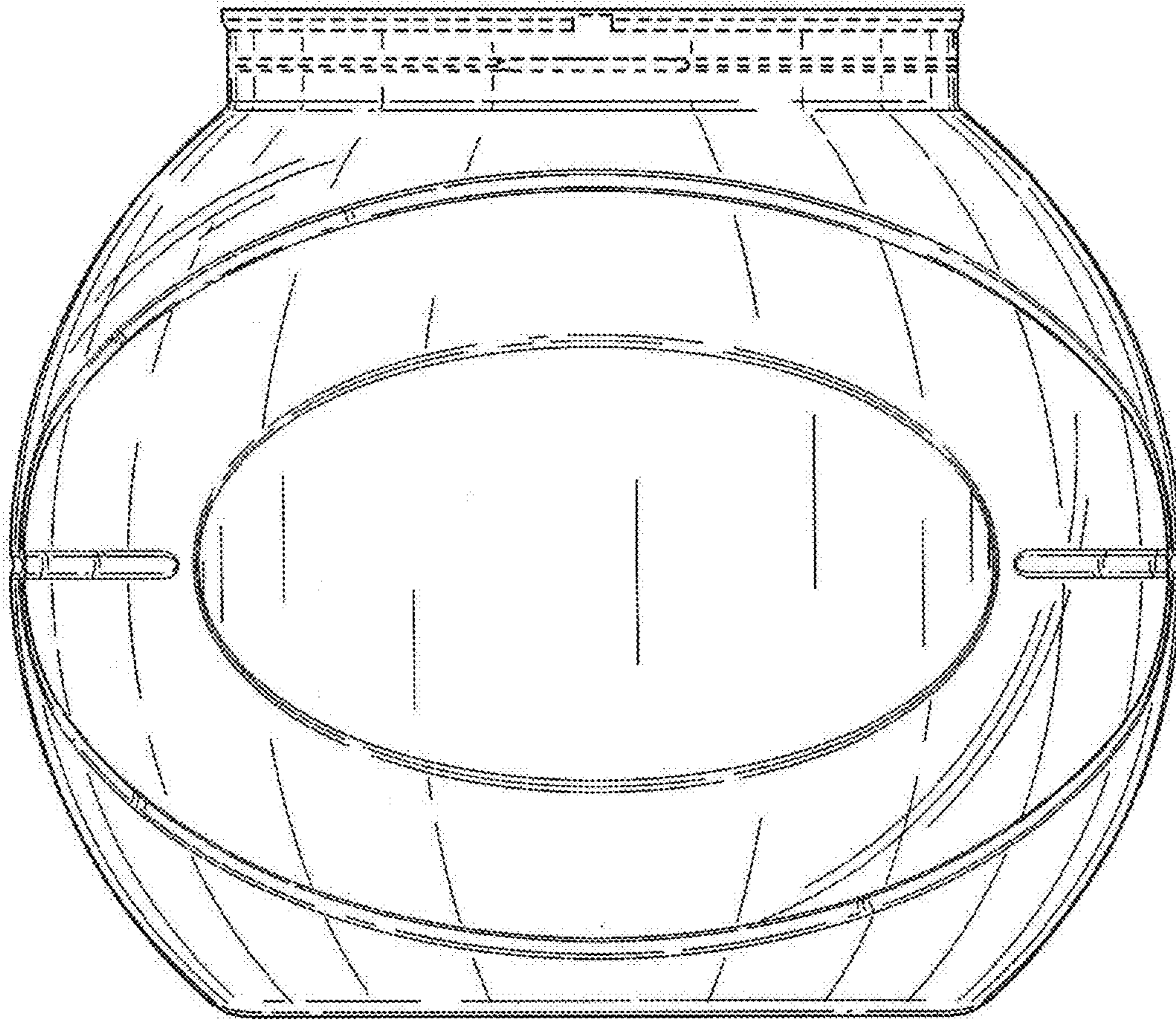


Fig. 1

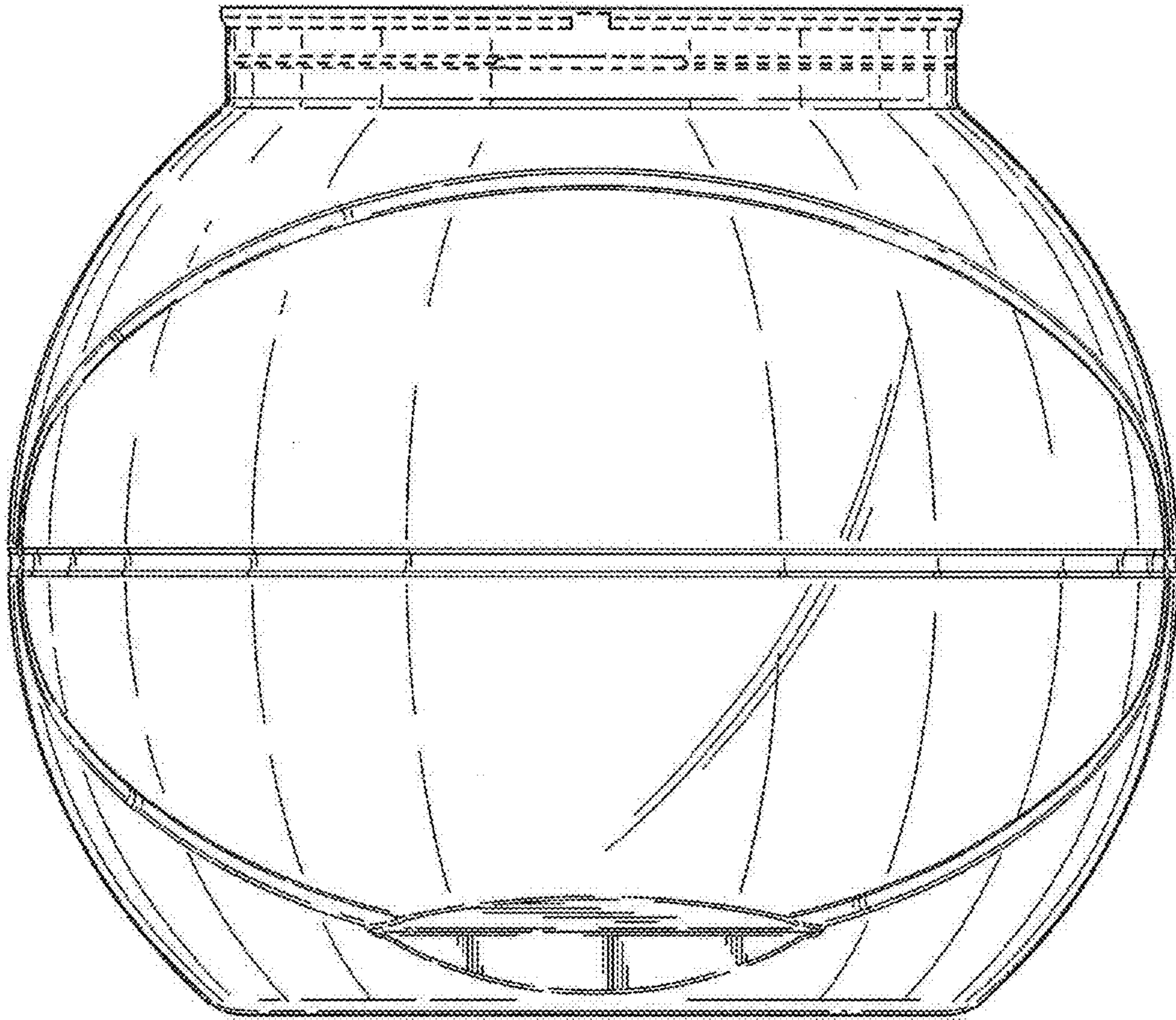


Fig. 2

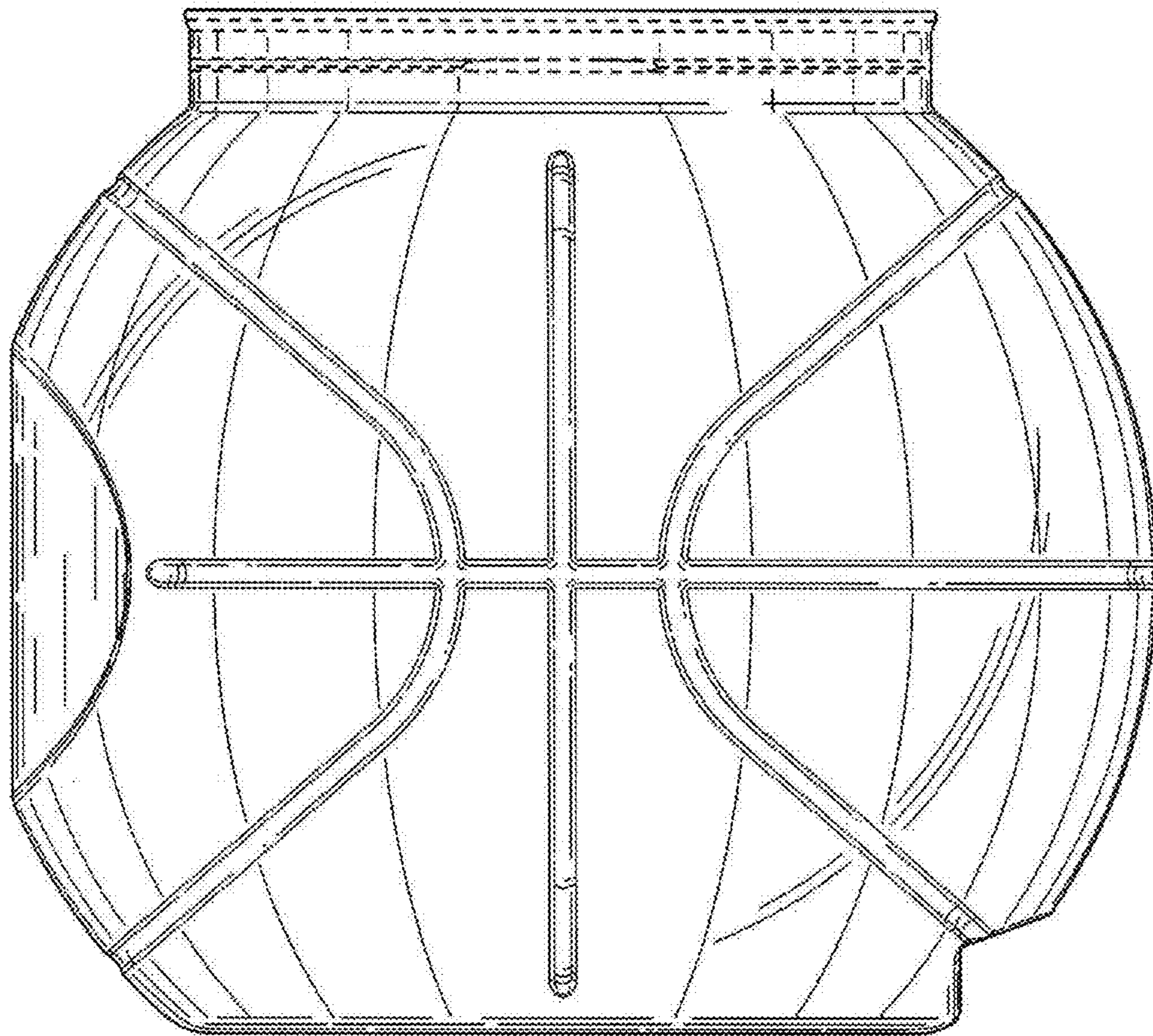


Fig. 3

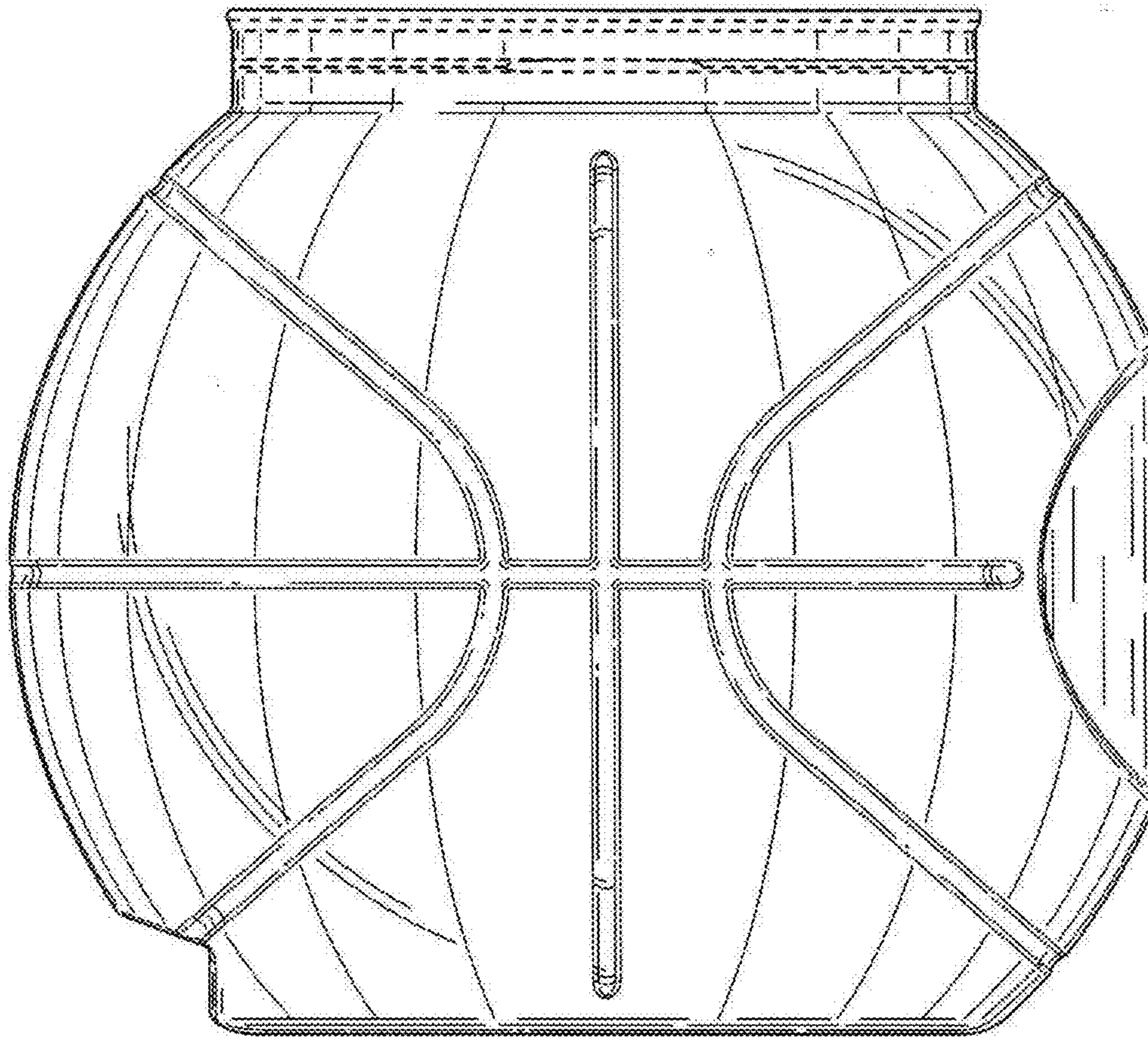


Fig. 4

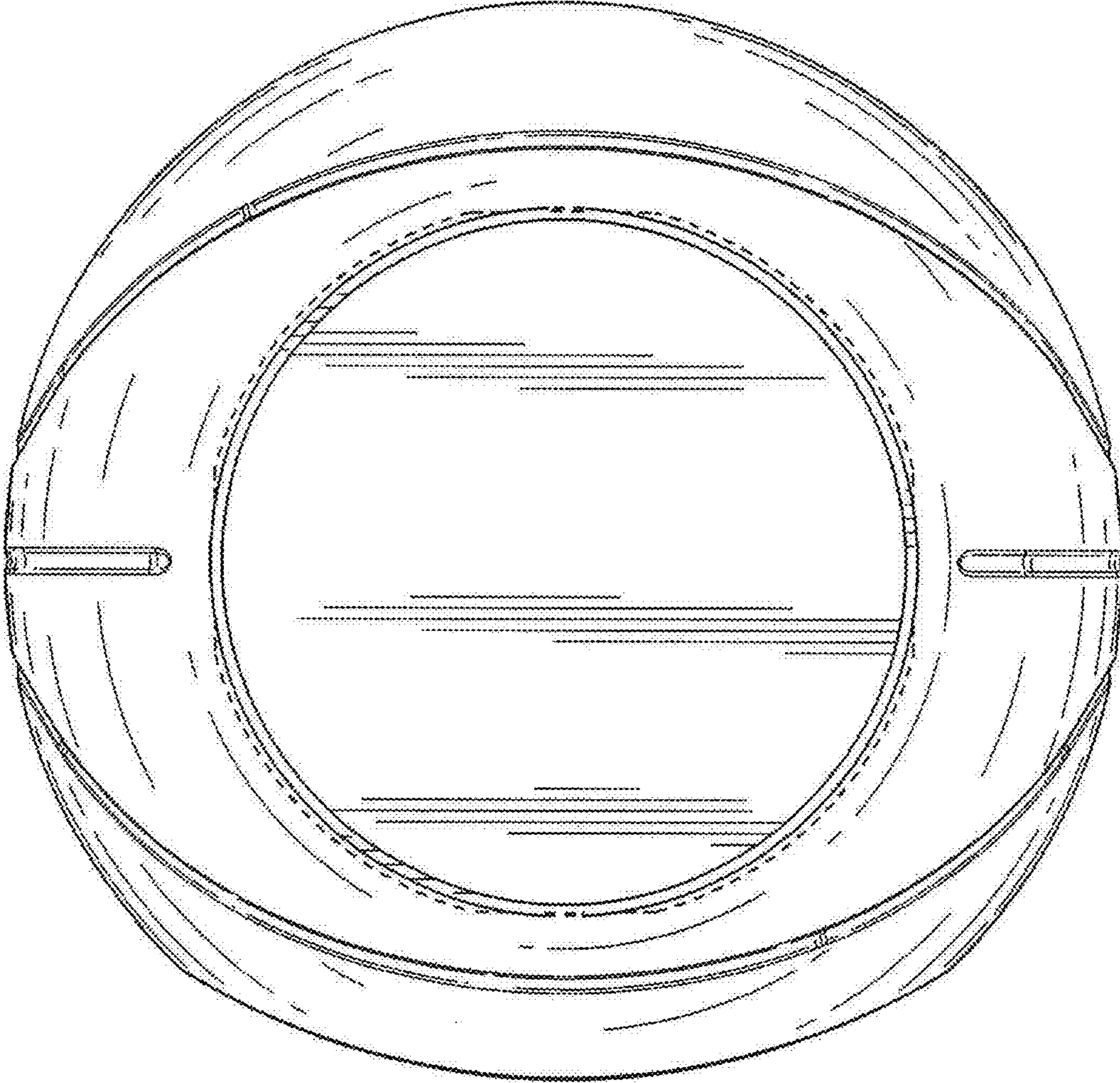


Fig. 5

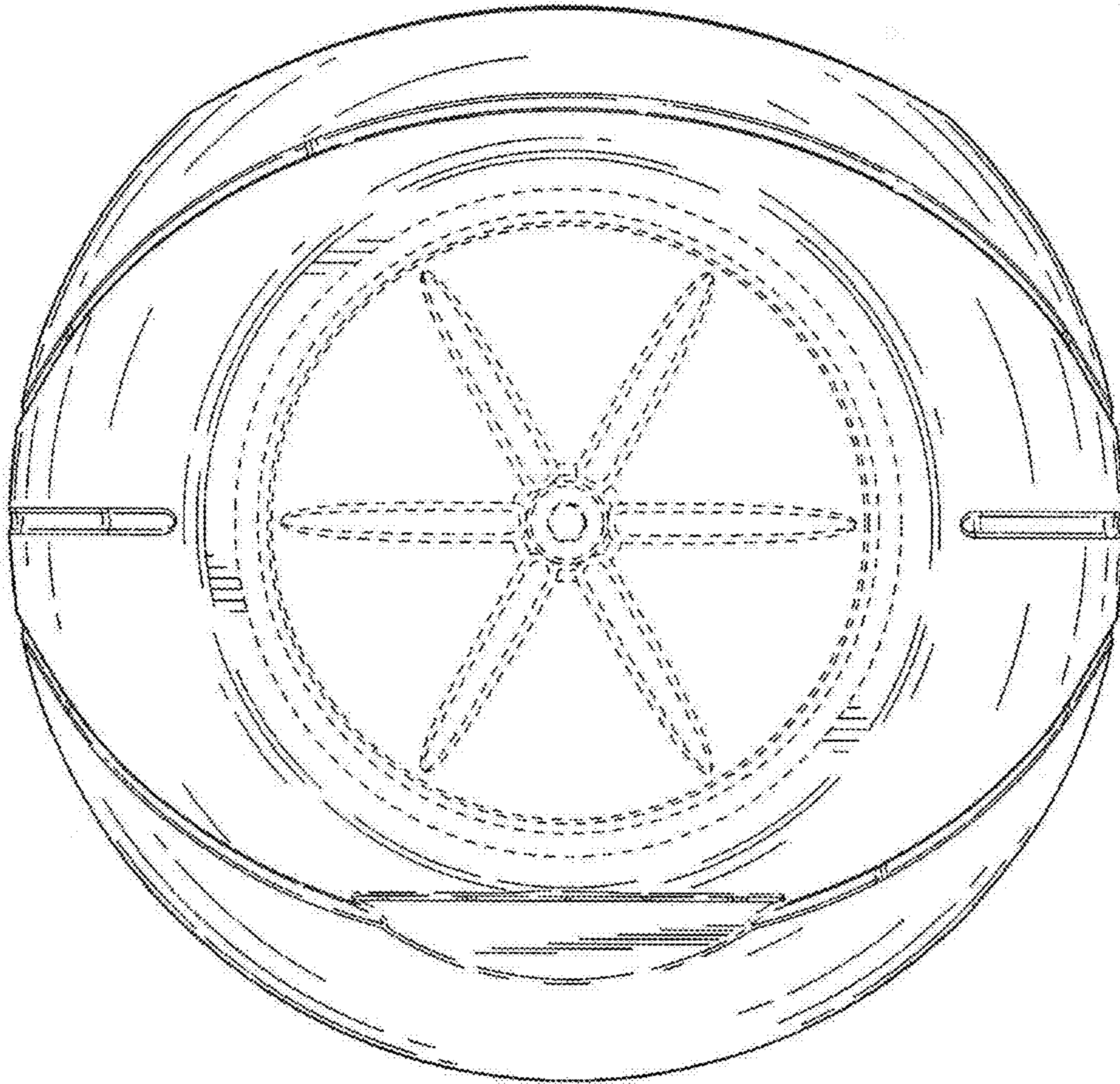


Fig. 6

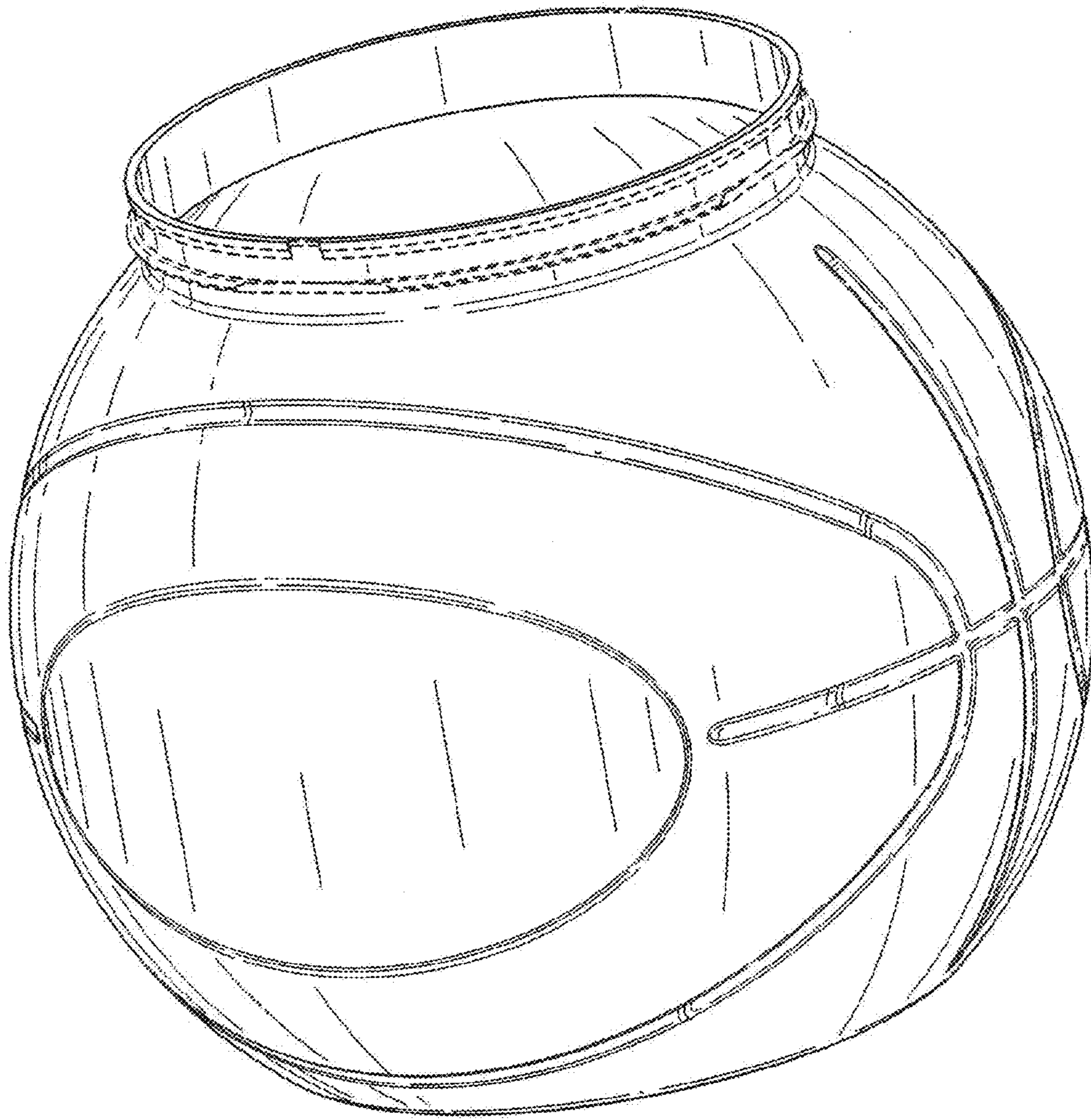


Fig. 7