



US00D680001S

(12) **United States Design Patent**
Miceli et al.

(10) **Patent No.:** **US D680,001 S**
(45) **Date of Patent:** **** Apr. 16, 2013**

- (54) **PHARMACEUTICAL CAP**
- (75) Inventors: **David A. Miceli**, Reno, NV (US);
Joseph A. Miceli, Spencer, TN (US)
- (73) Assignee: **Tri State Distribution, Inc.**, Sparta, TN (US)
- (**) Term: **14 Years**
- (21) Appl. No.: **29/422,556**
- (22) Filed: **May 22, 2012**
- (51) **LOC (9) Cl.** **09-07**
- (52) **U.S. Cl.**
USPC **D9/453; D9/454; D9/441**
- (58) **Field of Classification Search** D9/667,
D9/454, 453, 452, 450, 449, 445, 443, 441,
D9/435; D23/253, 250; 220/270–276; 215/228,
215/217–223, 209
See application file for complete search history.

6,523,709	B2	2/2003	Miceli et al.	
6,802,427	B2	10/2004	Miceli et al.	
6,926,161	B2	8/2005	Miceli et al.	
7,000,789	B2	2/2006	Miceli et al.	
D548,081	S *	8/2007	Noonan	D9/453
7,401,706	B2	7/2008	Shingle	
D574,239	S *	8/2008	Lin	D9/453
7,891,509	B2	2/2011	Konefal	
8,006,852	B1	8/2011	Miceli et al.	
2009/0140513	A1	6/2009	Priebe et al.	

* cited by examiner

Primary Examiner — Susan Bennett Hattan

(74) *Attorney, Agent, or Firm* — Luedeka Neely Group, P.C.

(57) **CLAIM**

The ornamental design for a pharmaceutical cap, as shown.

DESCRIPTION

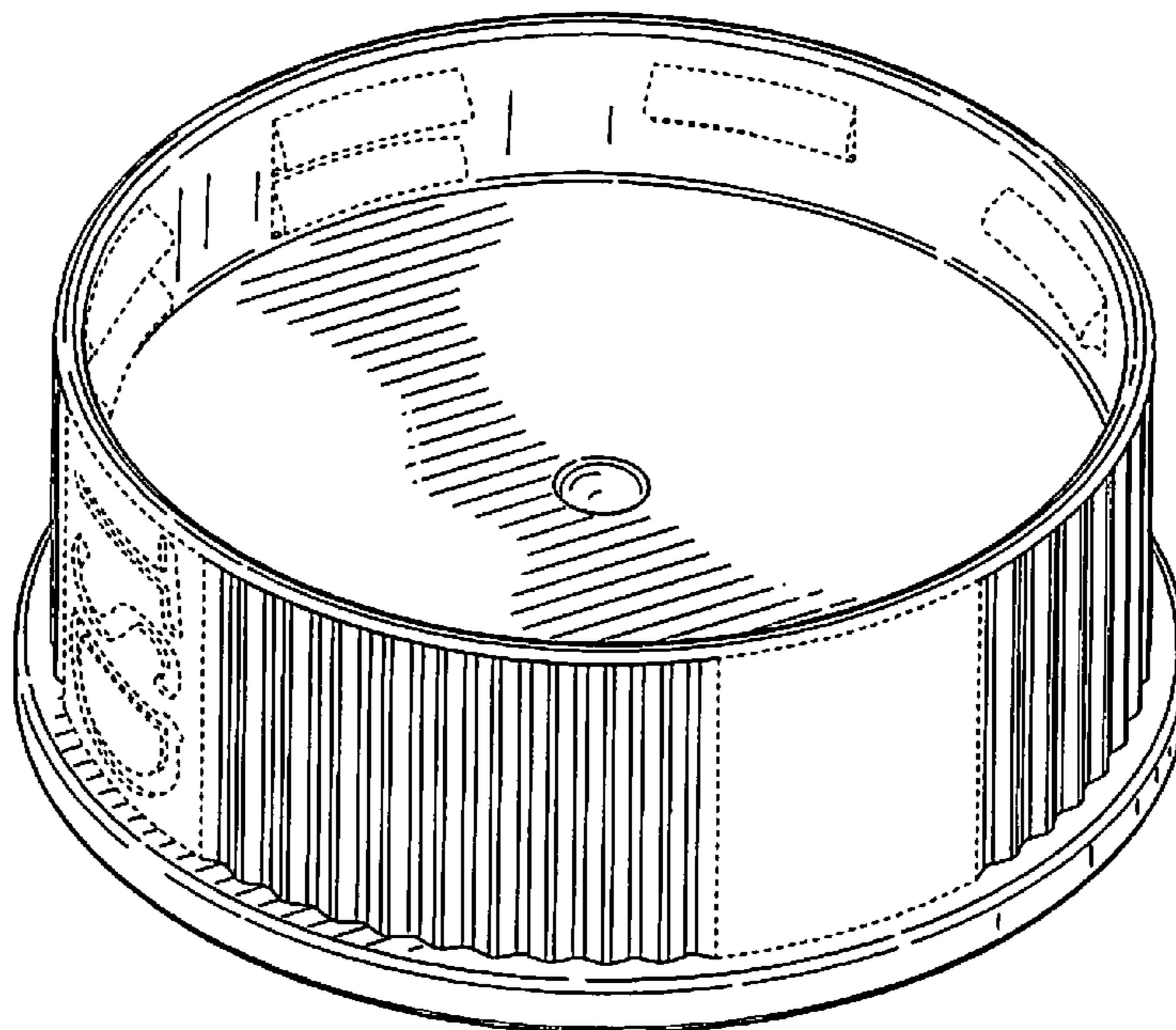
FIG. 1 is an upper perspective view of a pharmaceutical cap of our new design;
 FIG. 2 is another upper perspective view of the cap of FIG. 1, rotated from the view of FIG. 1;
 FIG. 3 is a perspective view of the underside of the cap of FIG. 1;
 FIG. 4 is another perspective view of the underside of the cap of FIG. 1, rotated from the view of FIG. 3;
 FIG. 5 is a side elevation view of the cap of FIG. 1;
 FIG. 6 is another side elevation view of the cap of FIG. 1, rotated ninety degrees from FIG. 5.
 FIG. 7 is a top plan view of the cap of FIG. 1; and
 FIG. 8 is a bottom plan view of the cap of FIG. 1.
 The broken lines in the drawings are included for the purpose of illustrating unclaimed features and form no part of the claimed design.

1 Claim, 7 Drawing Sheets

(56) **References Cited**

U.S. PATENT DOCUMENTS

3,865,267	A	2/1975	Morris	
4,103,797	A	8/1978	Morris	
D266,906	S *	11/1982	Guerette	D9/453
D315,507	S *	3/1991	Ochs	D9/453
D318,804	S *	8/1991	Ochs	D9/453
5,092,477	A	3/1992	Johnson et al.	
5,464,110	A	11/1995	Heyworth	
5,711,442	A	1/1998	Kusz	
5,899,348	A	5/1999	Konefal et al.	
5,927,532	A	7/1999	Traub	
6,039,195	A	3/2000	Konefal et al.	
6,327,770	B1	12/2001	Konefal et al.	
6,446,823	B2	9/2002	Miceli et al.	



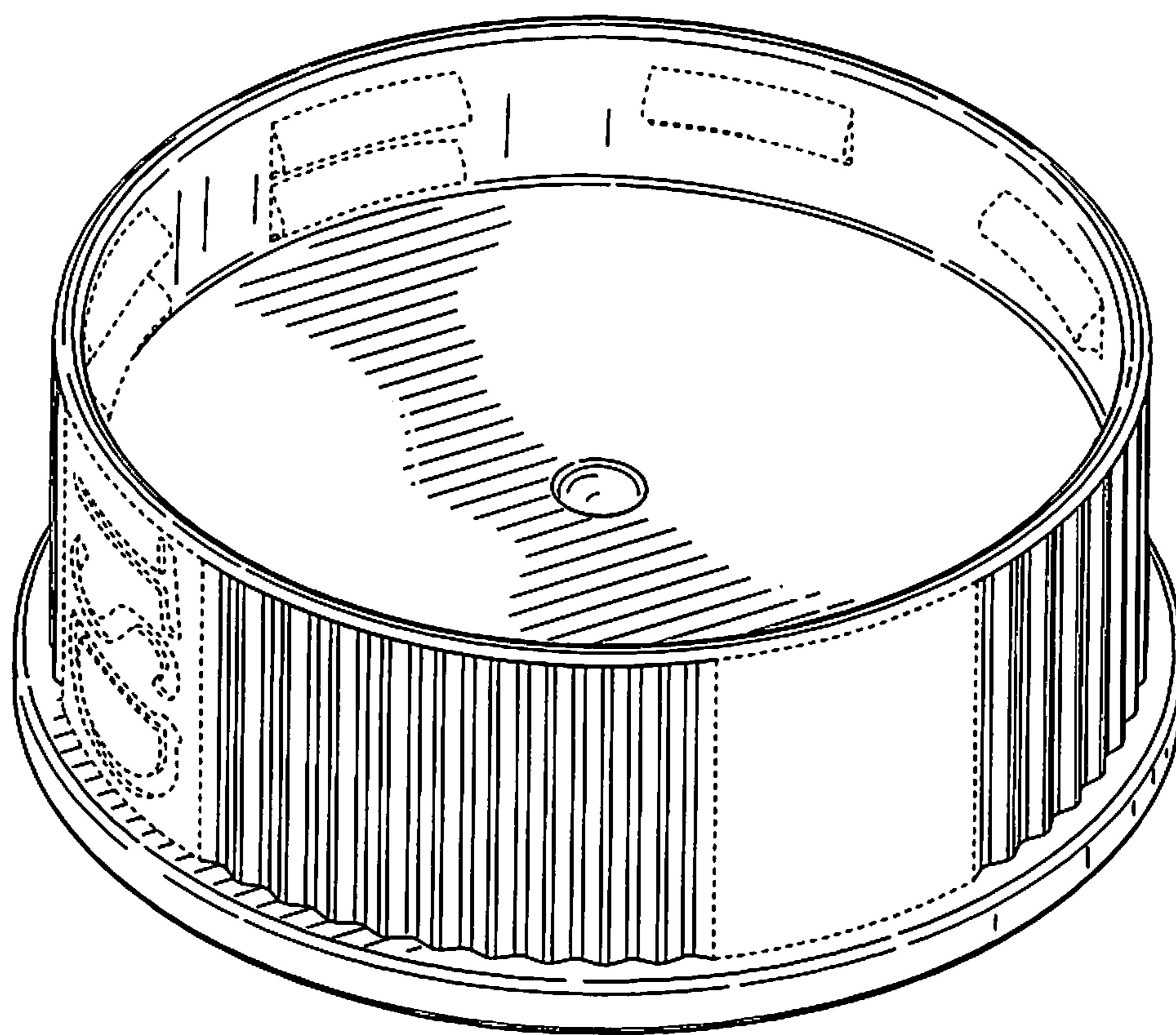


FIG. 1

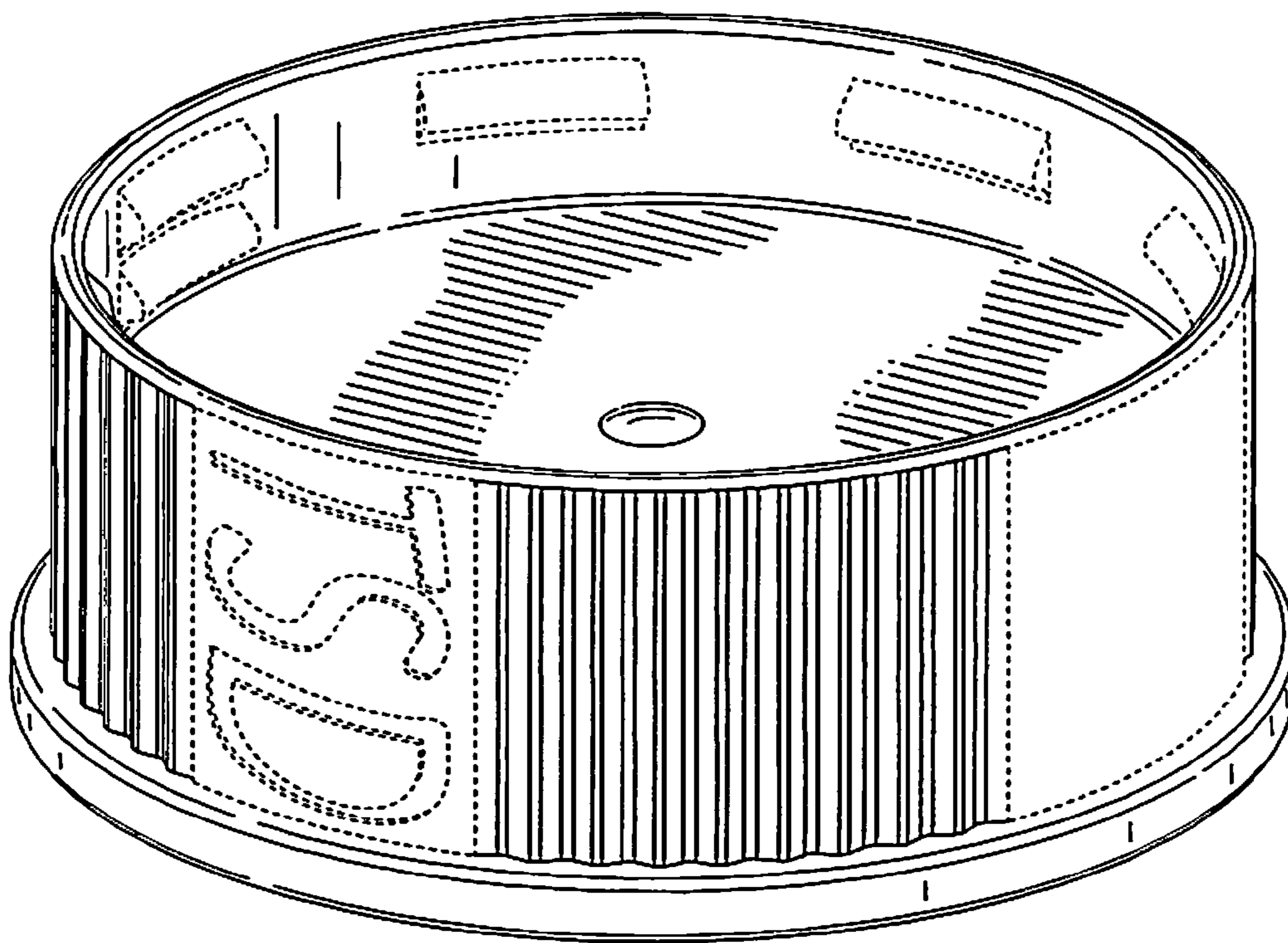


FIG. 2

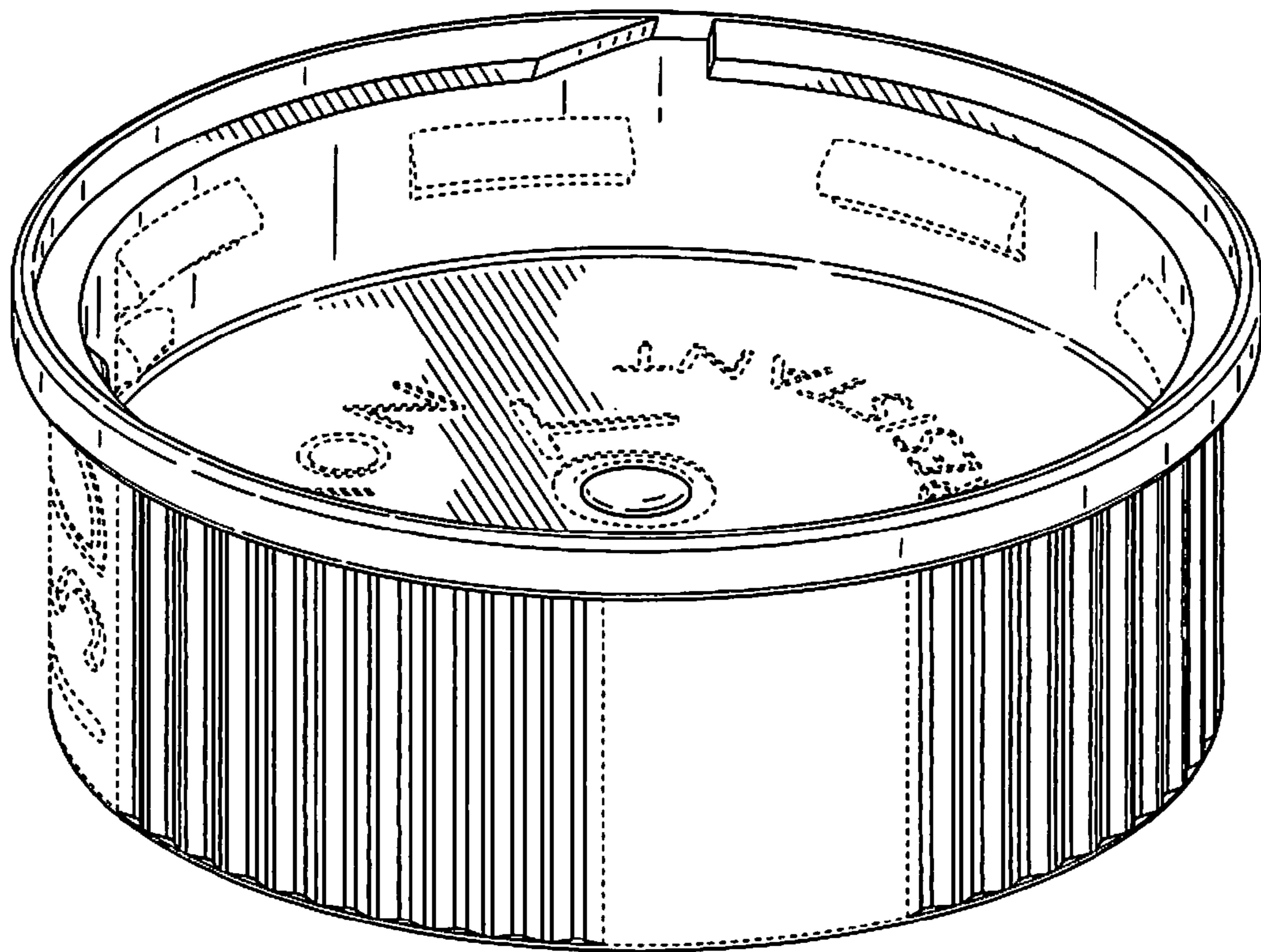


FIG. 3

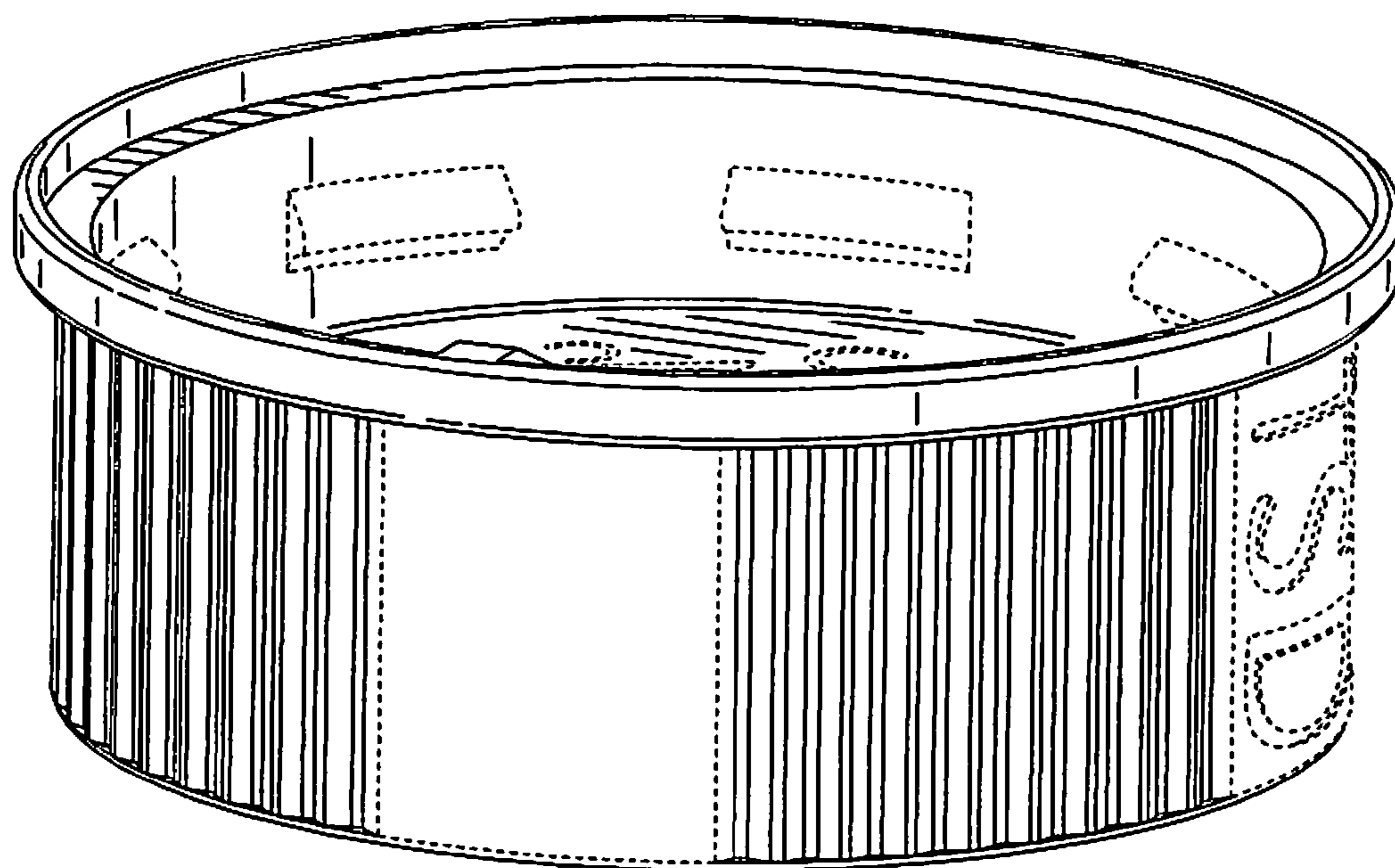


FIG. 4

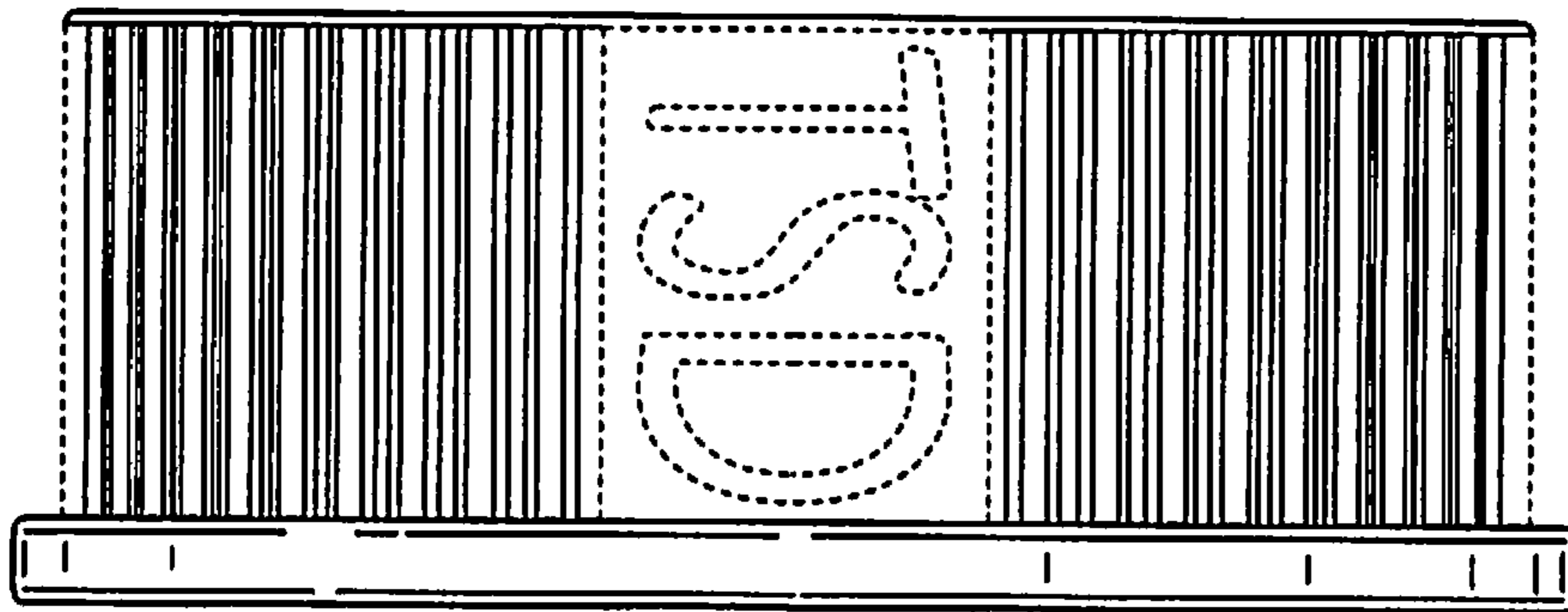


FIG. 5

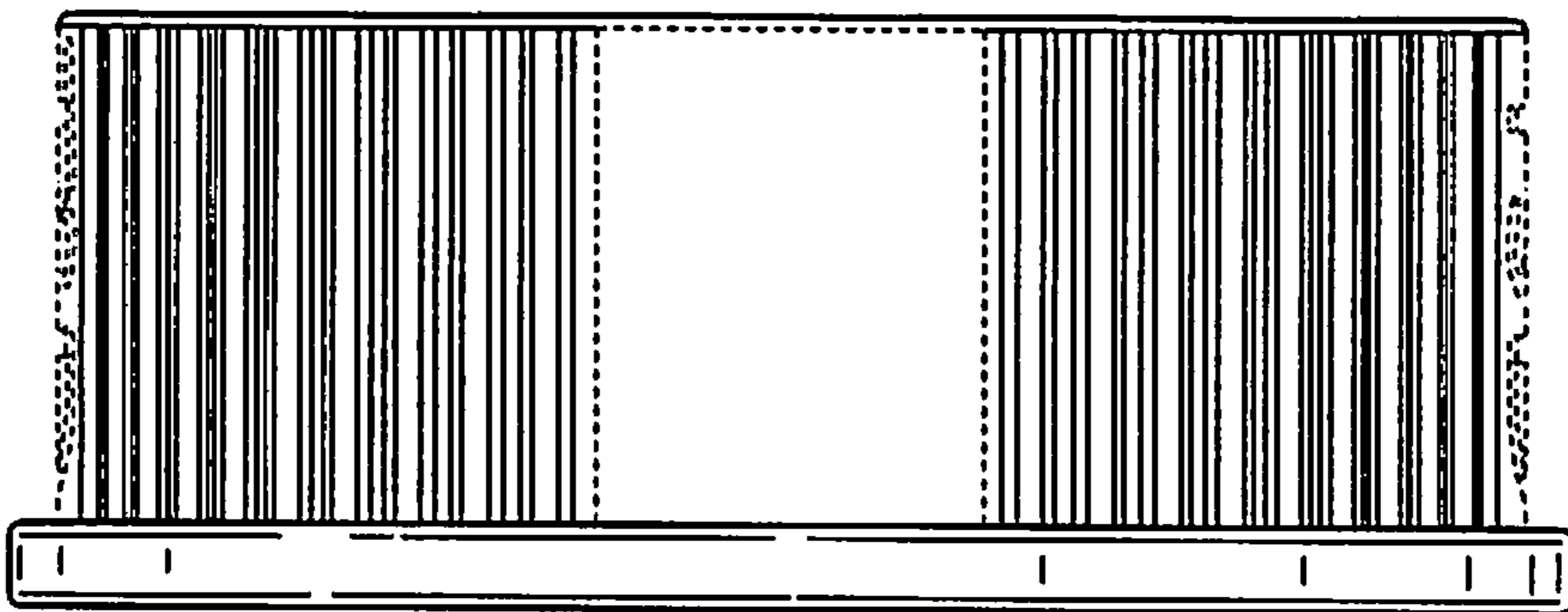


FIG. 6

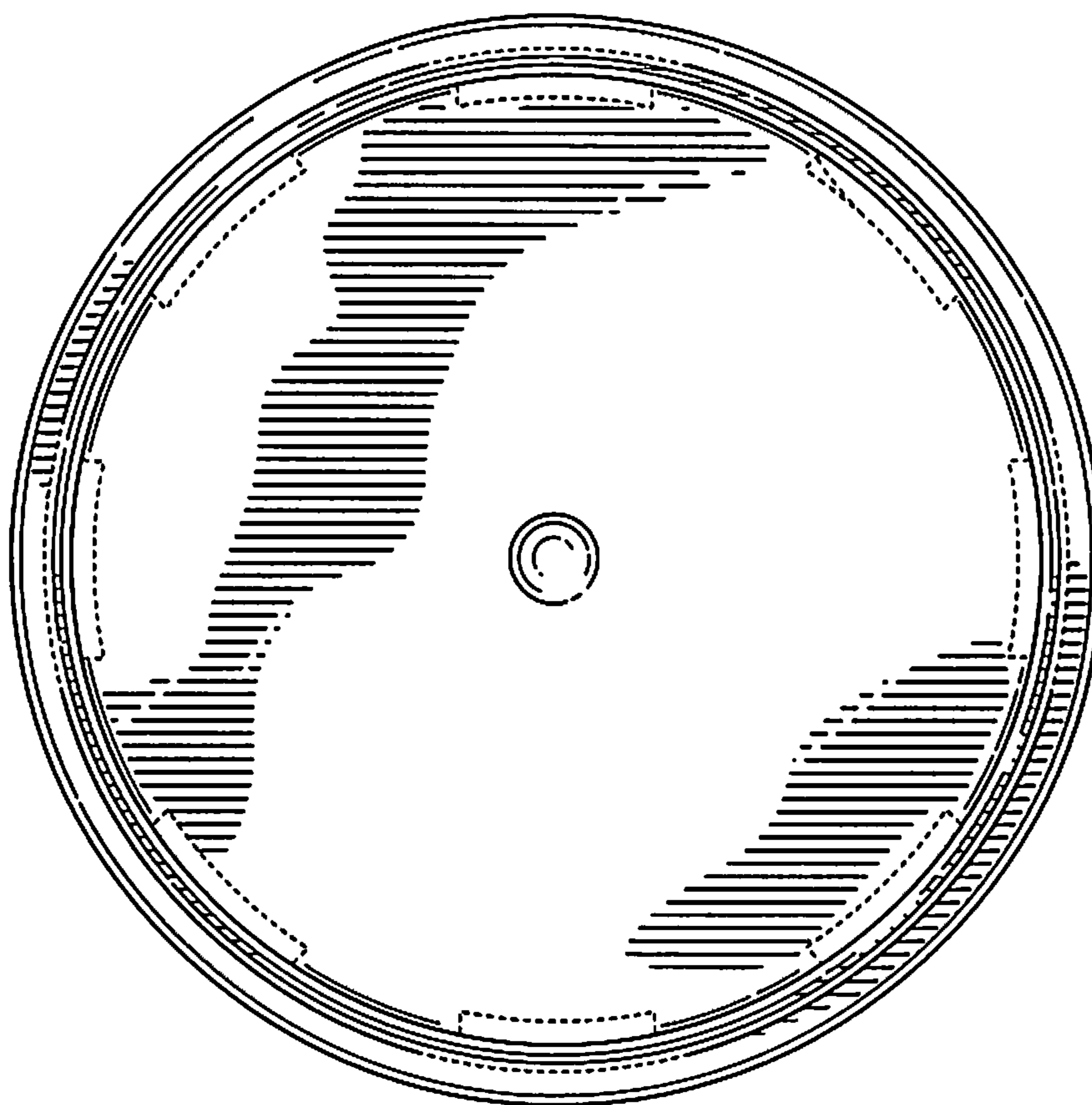


FIG. 7



FIG. 8