



US00D67993S

(12) **United States Design Patent**
Czerwinski et al.

(10) **Patent No.:** **US D679,993 S**

(45) **Date of Patent:** **** Apr. 16, 2013**

(54) **BOTTLE CLOSURE**

(75) Inventors: **David Czerwinski**, Thousand Oaks, CA (US); **Jason Carignan**, Thousand Oaks, CA (US); **Brent Reinke**, Newbury Park, CA (US); **Nathan Allen**, Los Angeles, CA (US)

(73) Assignee: **Vapur, Inc.**, Westlake Village, CA (US)

(**) Term: **14 Years**

(21) Appl. No.: **29/403,509**

(22) Filed: **Oct. 6, 2011**

(51) **LOC (9) Cl.** **09-07**

(52) **U.S. Cl.**
USPC **D9/443**

(58) **Field of Classification Search** D9/443,
D9/445, 448; D7/392

See application file for complete search history.

(56) **References Cited**

U.S. PATENT DOCUMENTS

D626,837 S * 11/2010 Meyers et al. D9/443
D634,197 S * 3/2011 Guilmeau et al. D9/448
D634,972 S * 3/2011 Staton D7/392.1
D649,457 S * 11/2011 Rowen et al. D9/448
D660,699 S * 5/2012 Dombrowski et al. D9/448

D661,580 S * 6/2012 Takizawa et al. D9/448
D664,431 S * 7/2012 Wang D9/448
D665,260 S * 8/2012 Driskell et al. D9/445

* cited by examiner

Primary Examiner — Susan Bennett Hattan
(74) *Attorney, Agent, or Firm* — SoCal IP Law Group LLP;
Steven C. Sereboff

(57) **CLAIM**

The ornamental design for a bottle closure, as shown and described.

DESCRIPTION

A portion of the disclosure of this patent document contains material which is subject to copyright protection. This patent document may show and/or describe matter which is or may become trade dress of the owner. The copyright and trade dress owner has no objection to the facsimile reproduction by anyone of the patent disclosure as it appears in the Patent and Trademark Office patent files or records, but otherwise reserves all copyright and trade dress rights whatsoever.

FIG. 1 is a top view of the bottle closure showing our new design;

FIG. 2 is a bottom view of the bottle closure;

FIG. 3 is a right side view of the bottle closure;

FIG. 4 is a left side view of the bottle closure;

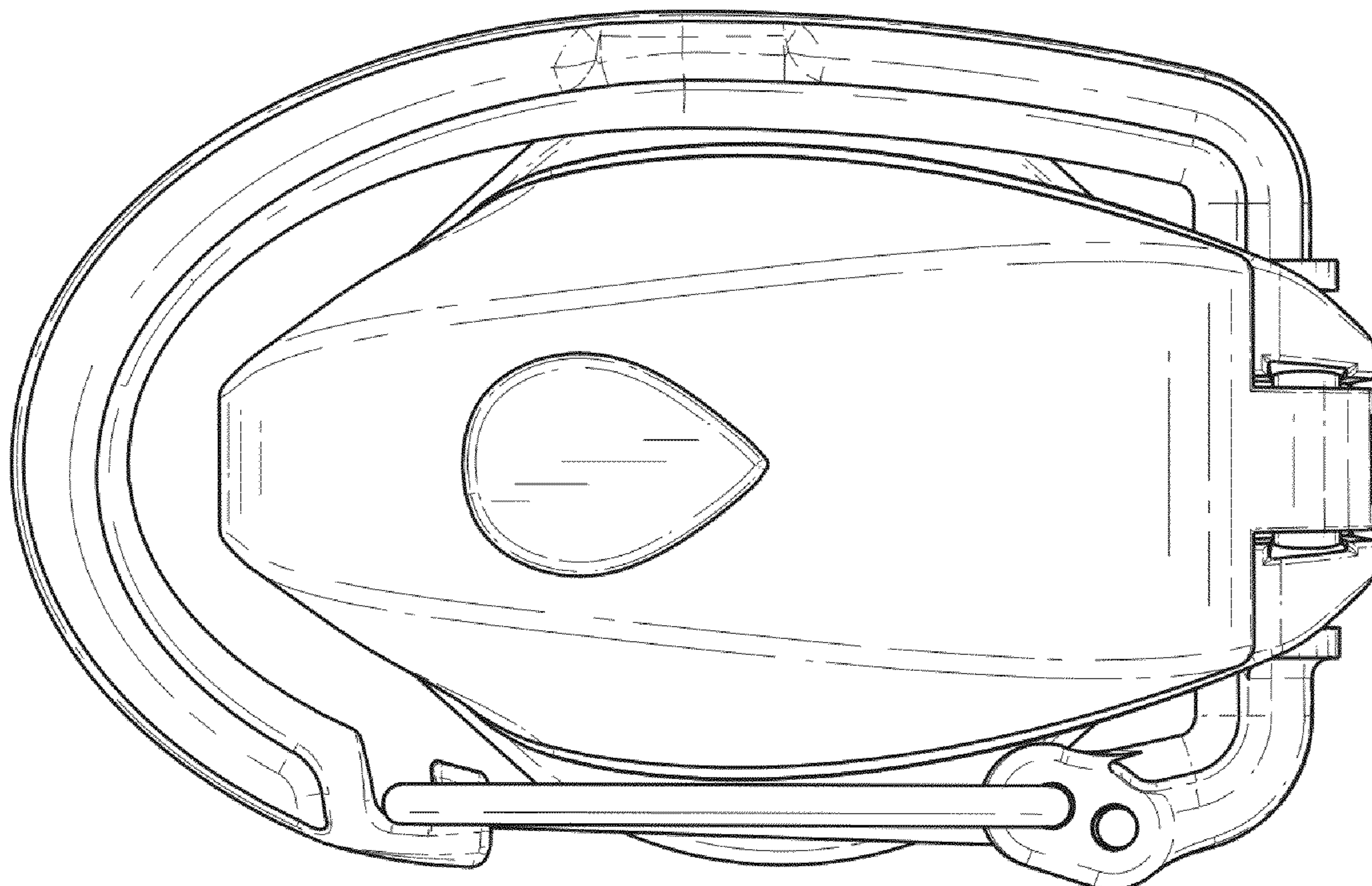
FIG. 5 is a rear view of the bottle closure;

FIG. 6 is a front view of the bottle closure;

FIG. 7 is a front perspective view of the bottle closure; and,

FIG. 8 is a rear perspective view of the bottle closure.

1 Claim, 5 Drawing Sheets



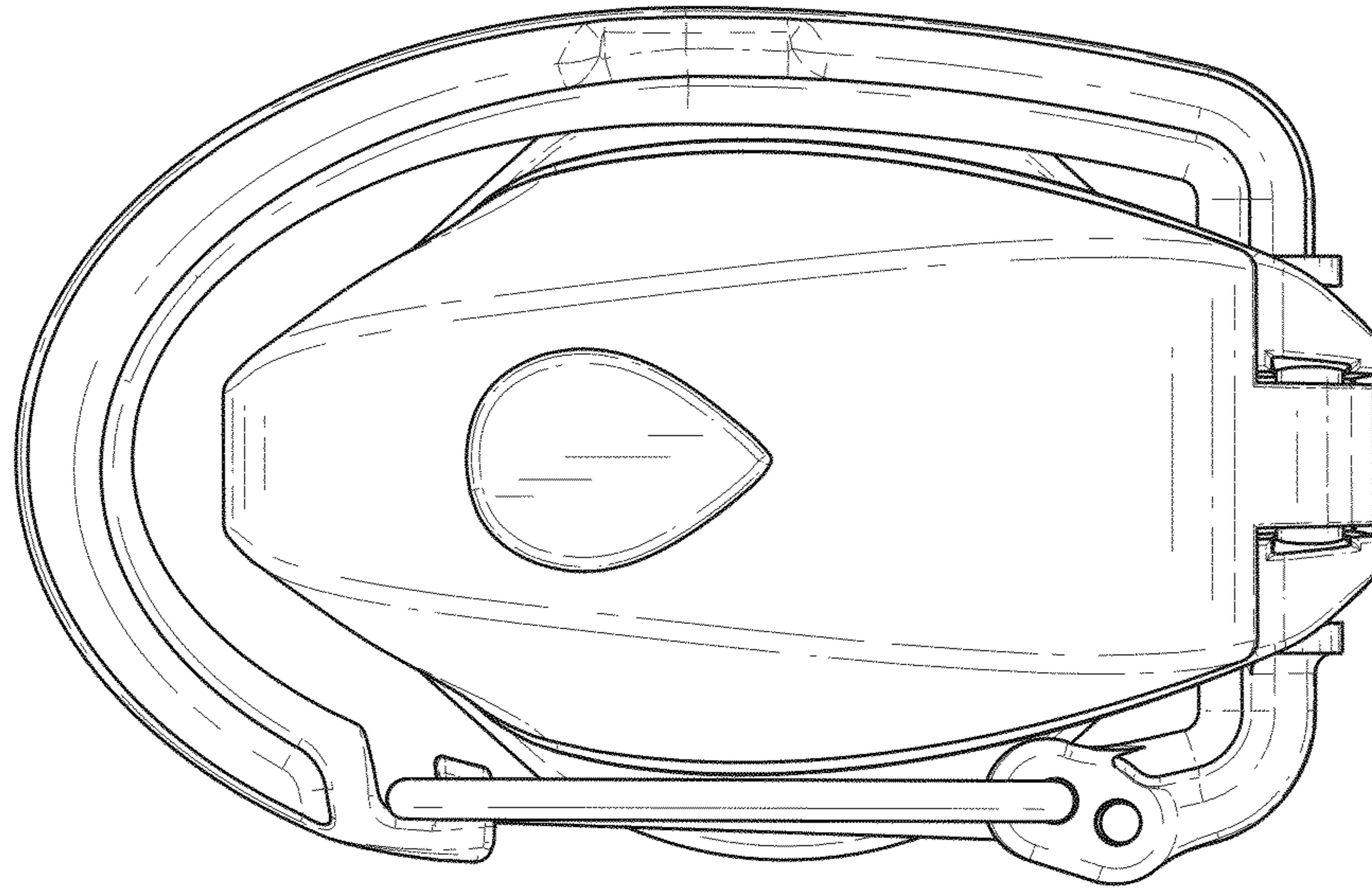


FIG. 1

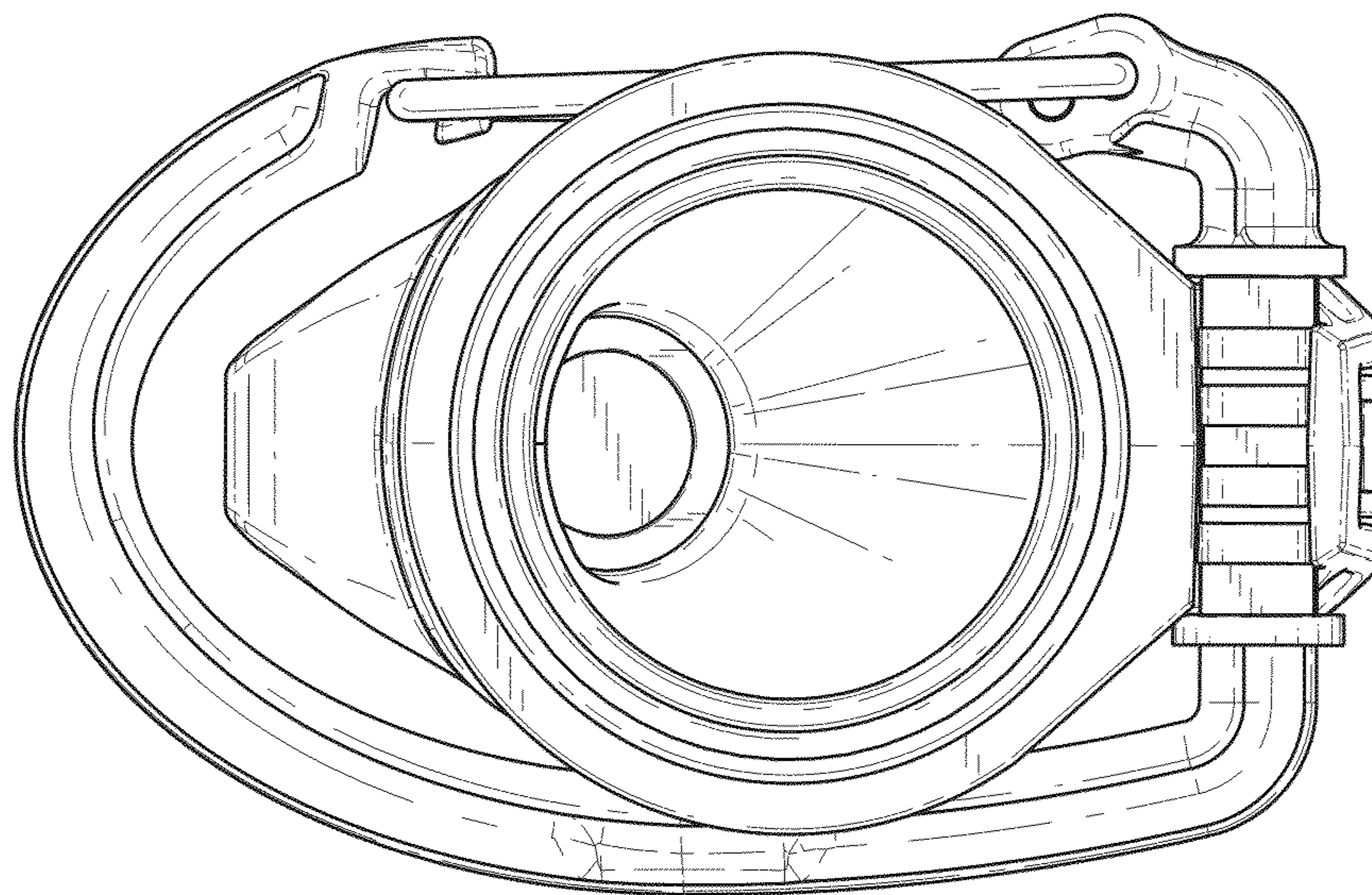


FIG. 2

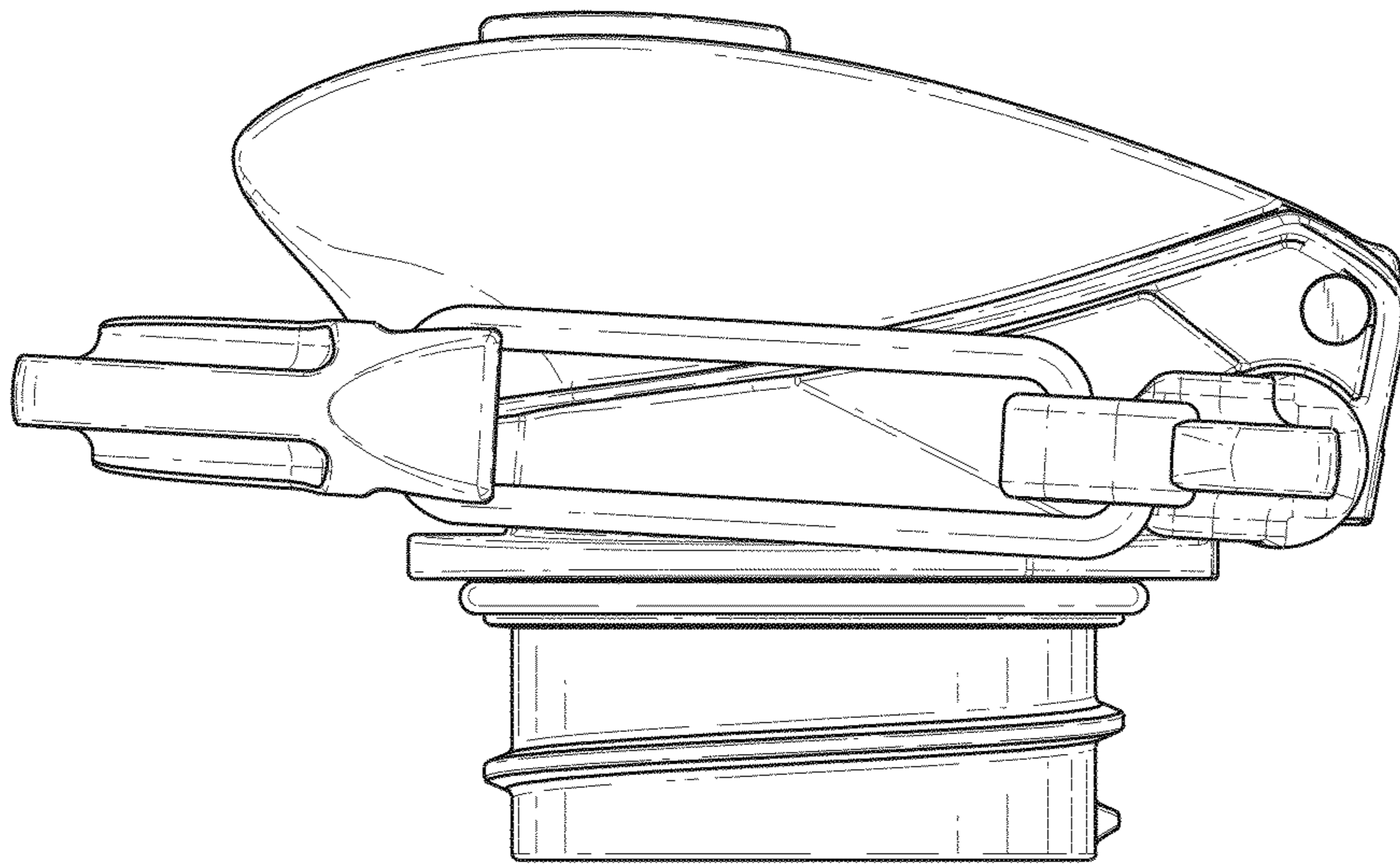


FIG. 3

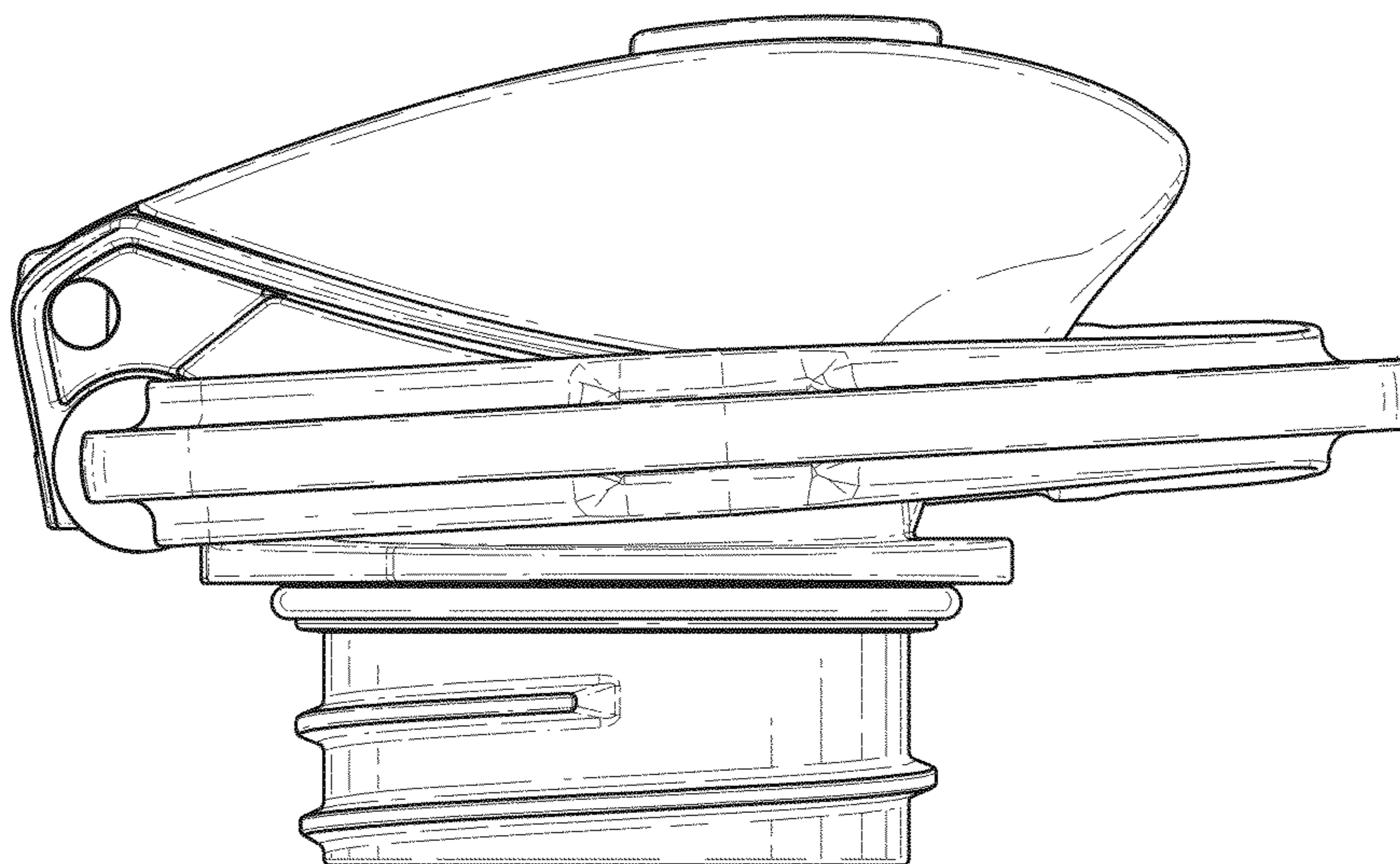


FIG. 4

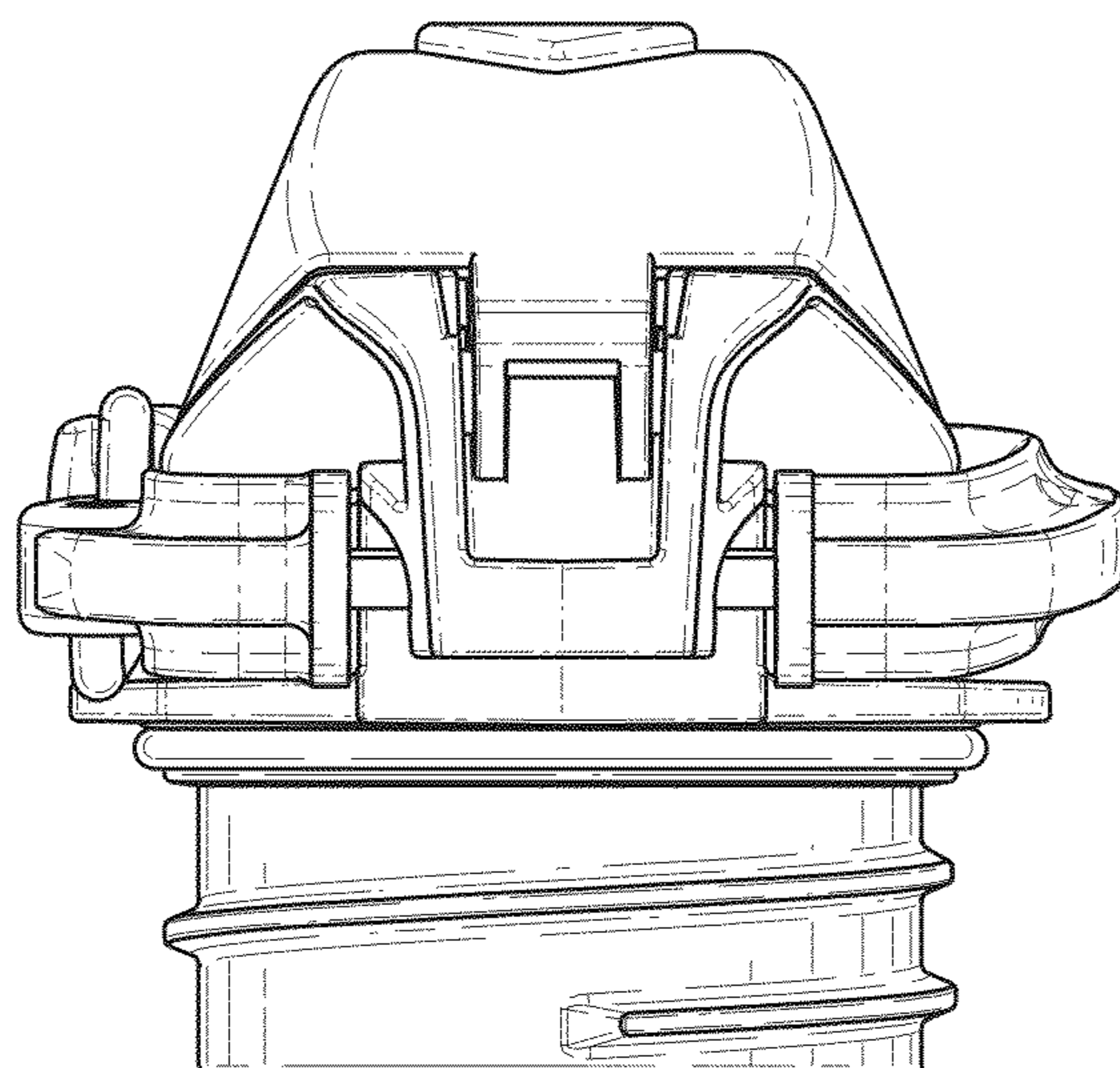


FIG. 5

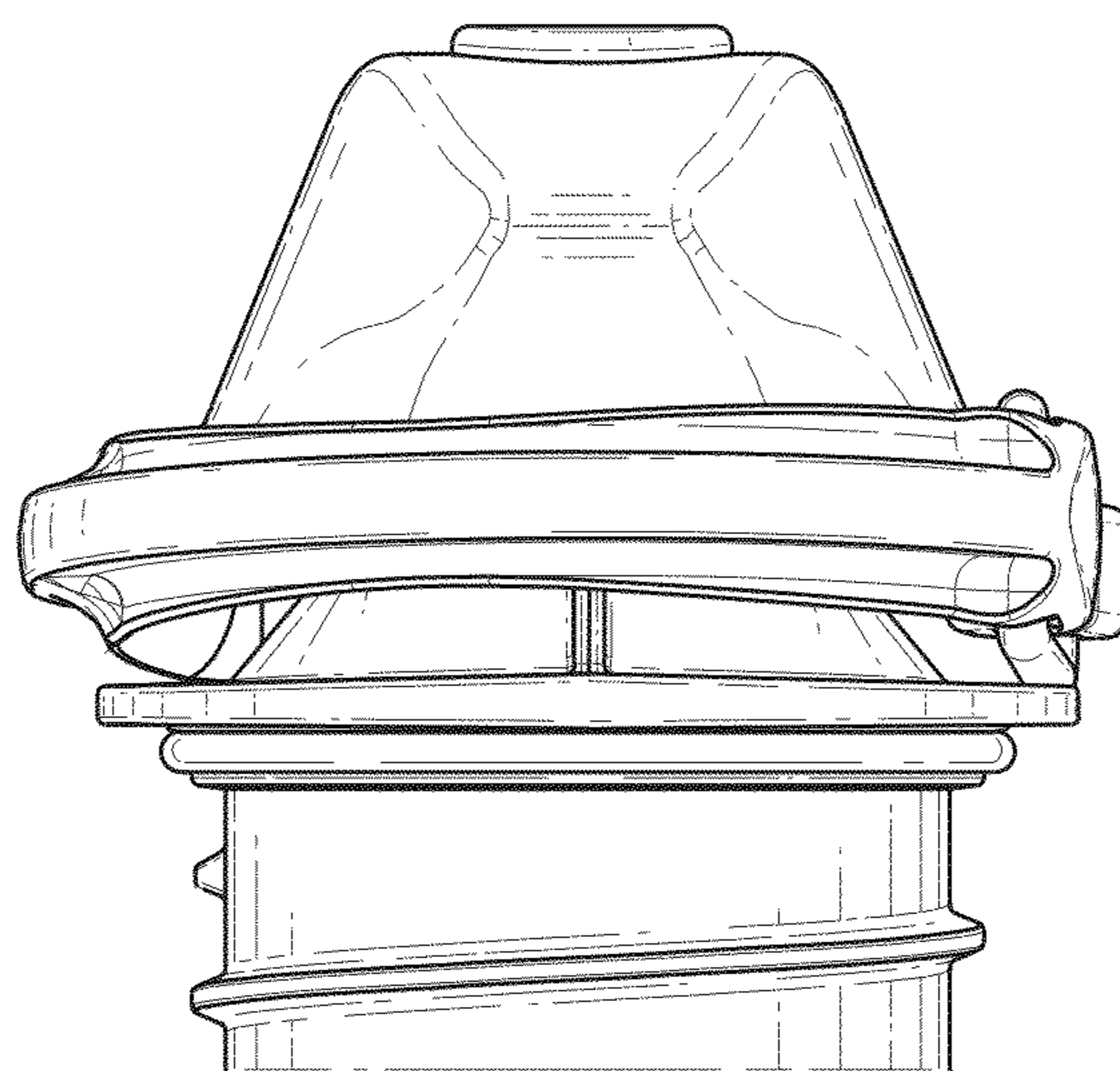


FIG. 6

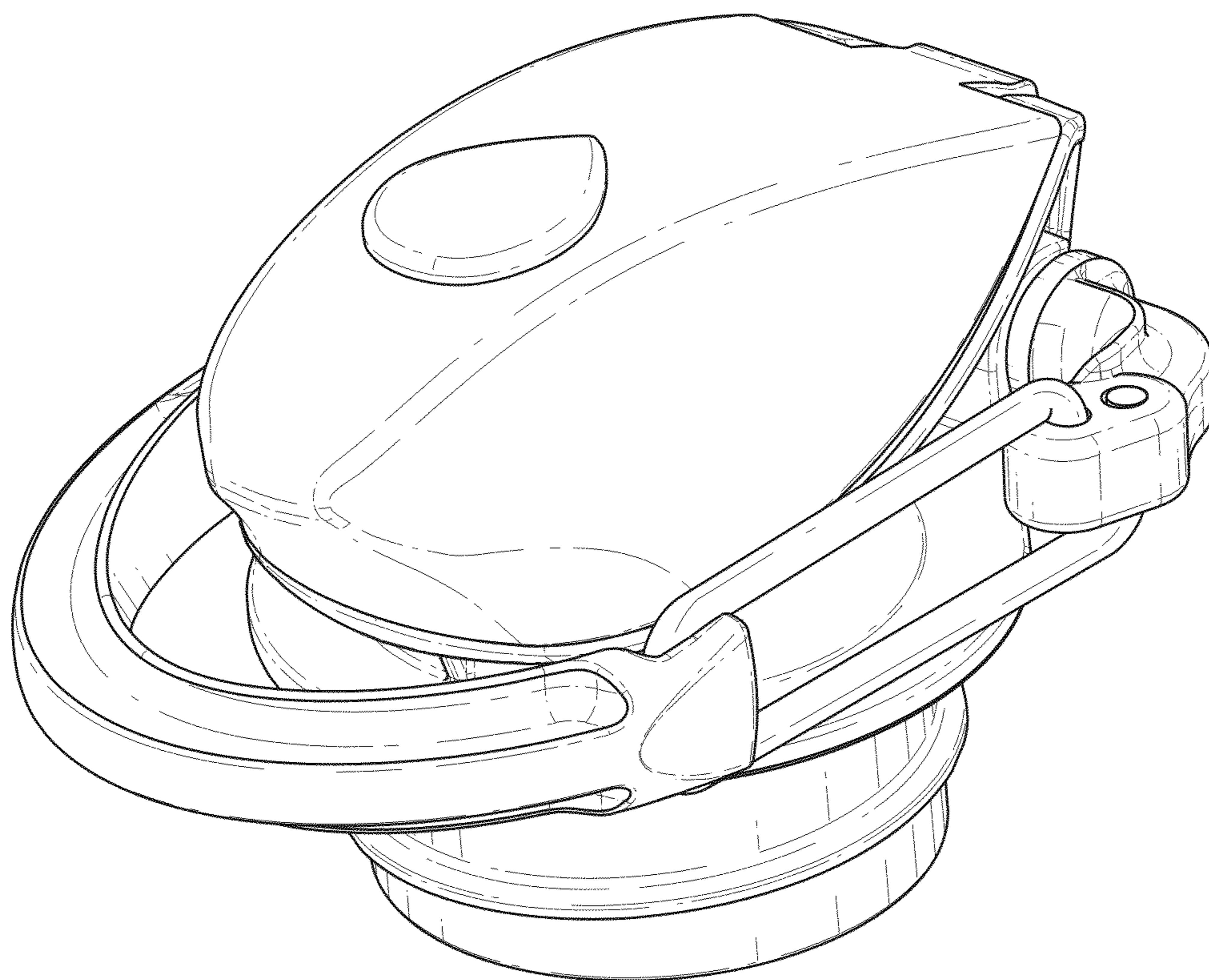


FIG. 7

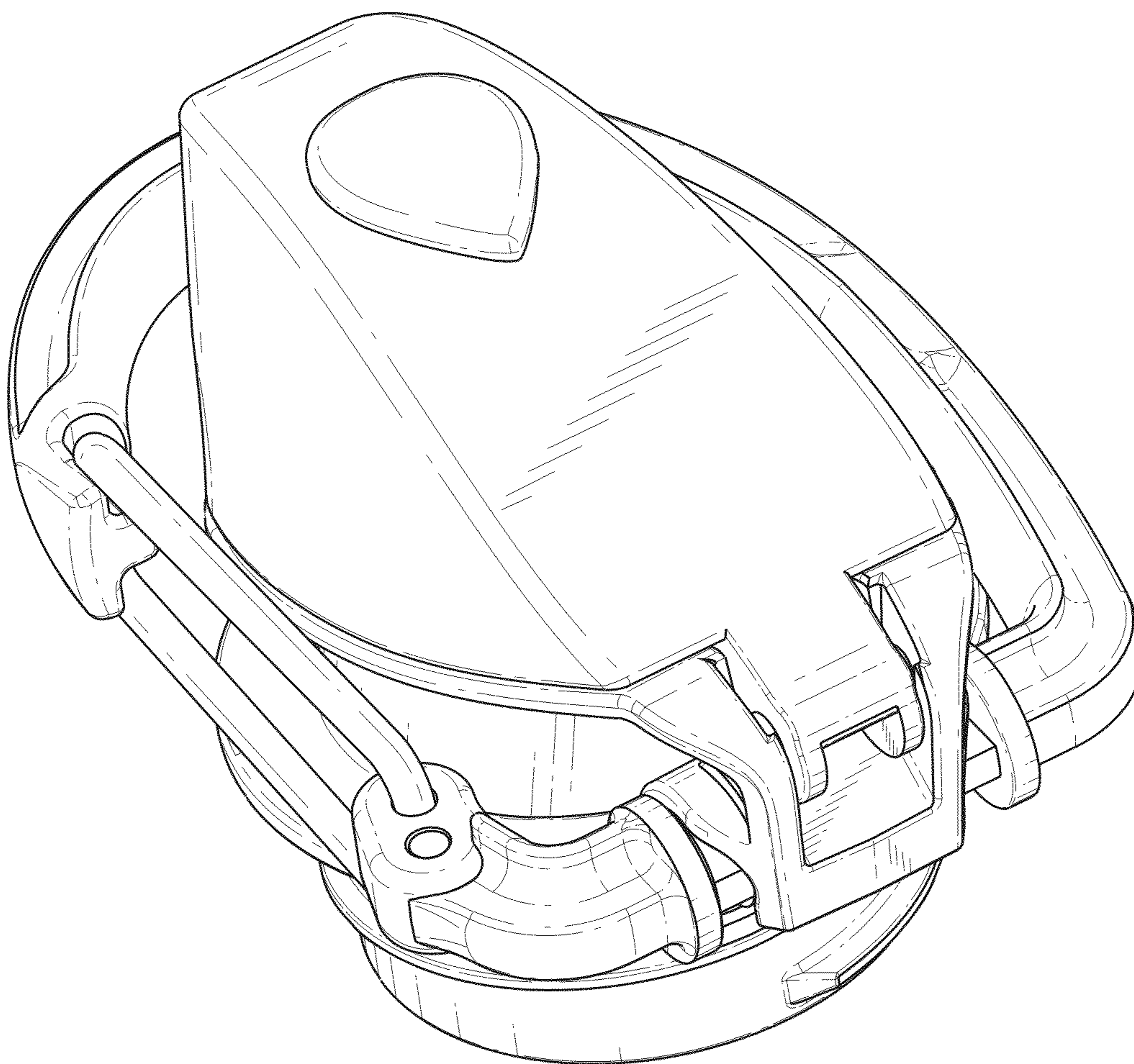


FIG. 8