



US00D679991S

(12) **United States Design Patent**  
**Hudson et al.**

(10) **Patent No.:** **US D679,991 S**

(45) **Date of Patent:** **\*\* Apr. 16, 2013**

(54) **CONTAINER**

(75) Inventors: **Clinton M. Hudson**, Merrill, IA (US);  
**Wendy J. Tabbert**, Le Mars, IA (US)

(73) Assignee: **Wells Enterprises, Inc.**, Le Mars, IA  
(US)

(\*\*) Term: **14 Years**

(21) Appl. No.: **29/432,076**

(22) Filed: **Sep. 13, 2012**

**Related U.S. Application Data**

(62) Division of application No. 29/385,213, filed on Feb. 10, 2011.

(51) **LOC (9) Cl.** ..... **09-03**

(52) **U.S. Cl.**  
USPC ..... **D9/428**

(58) **Field of Classification Search** ..... D9/414,  
D9/416, 417, 419, 424, 425, 430, 431, 432,  
D9/761; D7/538, 549, 550.1, 601-603, 605,  
D7/629; 220/23.4, 23.6, 266, 281, 315, 318,  
220/500, 659, 669, 674, 675, 696, 752, 760,  
220/790, 793, DIG. 12, FOR. 117; 229/105,  
229/117.09, 117.26, 189, 406, 407, 902,  
229/905, 915.1; 206/499, 508, 557; D3/276

See application file for complete search history.

(56) **References Cited**

U.S. PATENT DOCUMENTS

D407,974 S	4/1999	Zimmer et al.	
D416,796 S	11/1999	Smith	
D442,860 S	5/2001	Symons et al.	
D470,768 S	2/2003	Melhede	
D489,004 S	4/2004	Parman	
D501,636 S	2/2005	Melhede	
D580,750 S *	11/2008	Claassen et al.	..... D9/428
D640,547 S	6/2011	Guillemin et al.	
2007/0062948 A1	3/2007	Albrecht et al.	
2012/0205375 A1	8/2012	Hudson et al.	

\* cited by examiner

*Primary Examiner* — Thomas Johannes

(74) *Attorney, Agent, or Firm* — McKee, Voorhees & Sease, P.L.C.

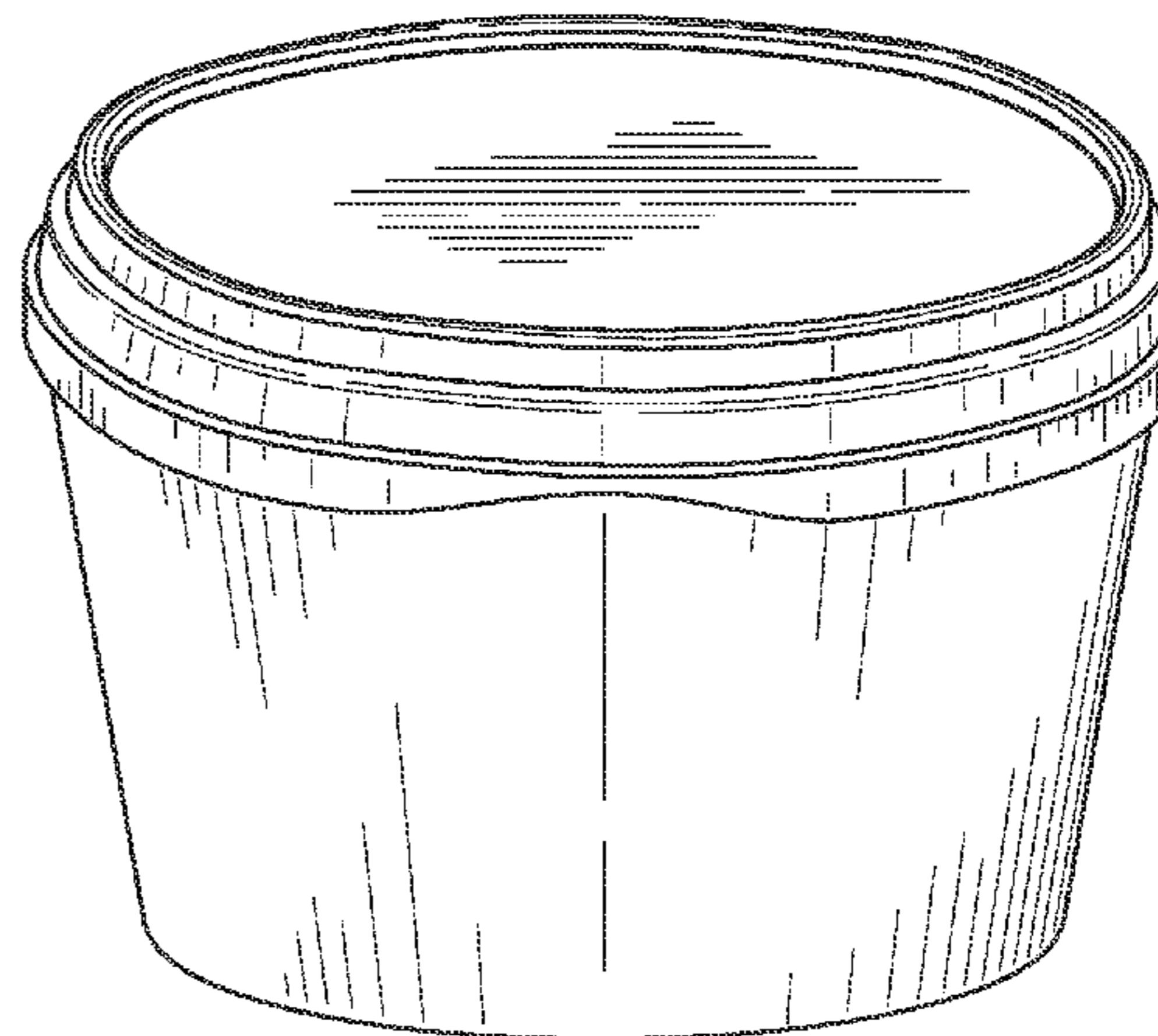
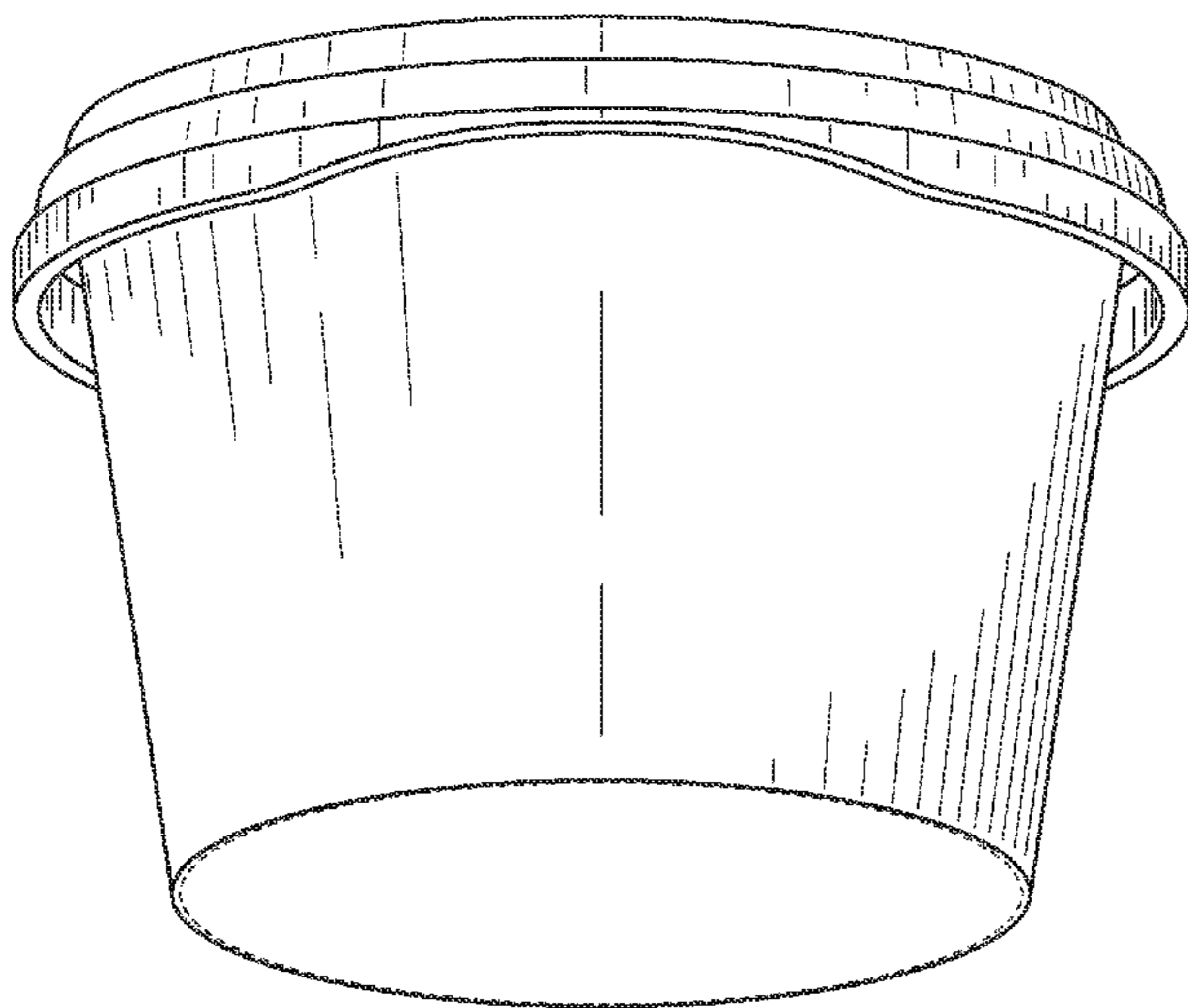
(57) **CLAIM**

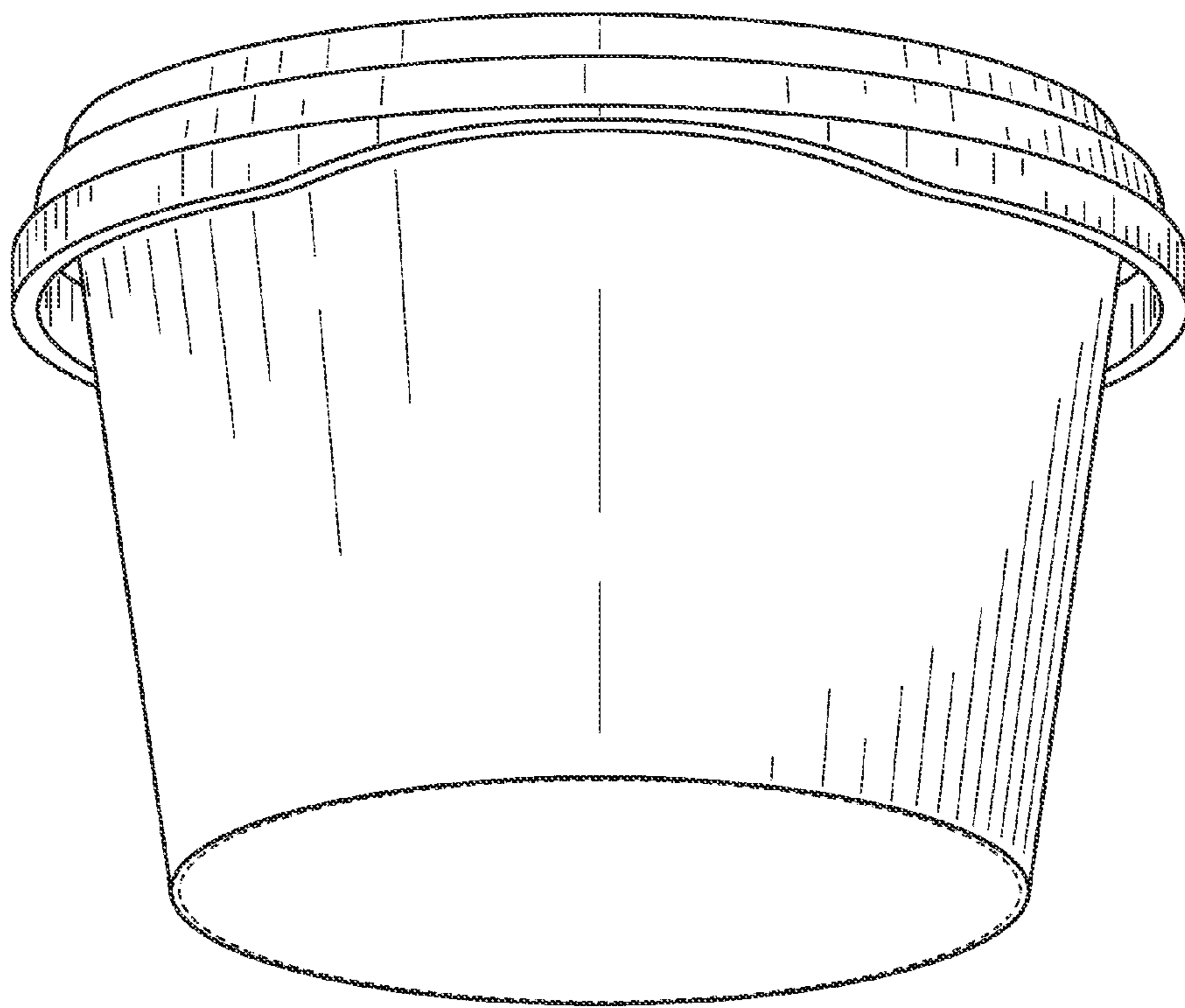
We claim the ornamental design for a container, substantially as shown and described.

**DESCRIPTION**

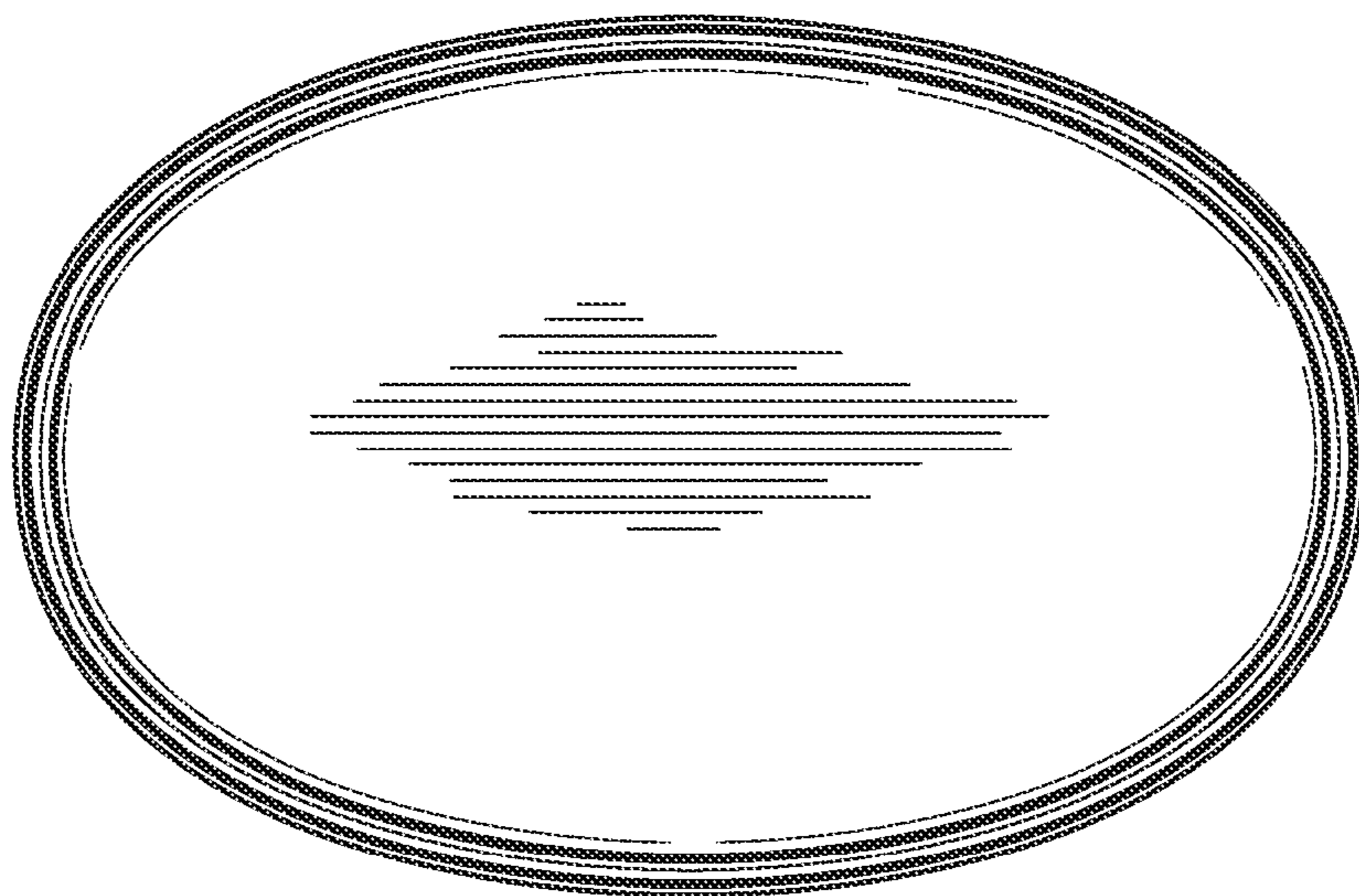
FIG. 1 is a bottom perspective view of a container showing our new design;  
FIG. 2 is a top plan view thereof;  
FIG. 3 is a front elevation view thereof, with the opposite side being a mirror image thereto;  
FIG. 4 is an end elevation view thereof, with the opposite end being a mirror image thereto;  
FIG. 5 is a bottom plan view thereof; and,  
FIG. 6 is a top perspective view thereof.  
The broken line portion of the figure drawings is included to show unclaimed subject matter only and forms no part of the claimed design.

**1 Claim, 4 Drawing Sheets**

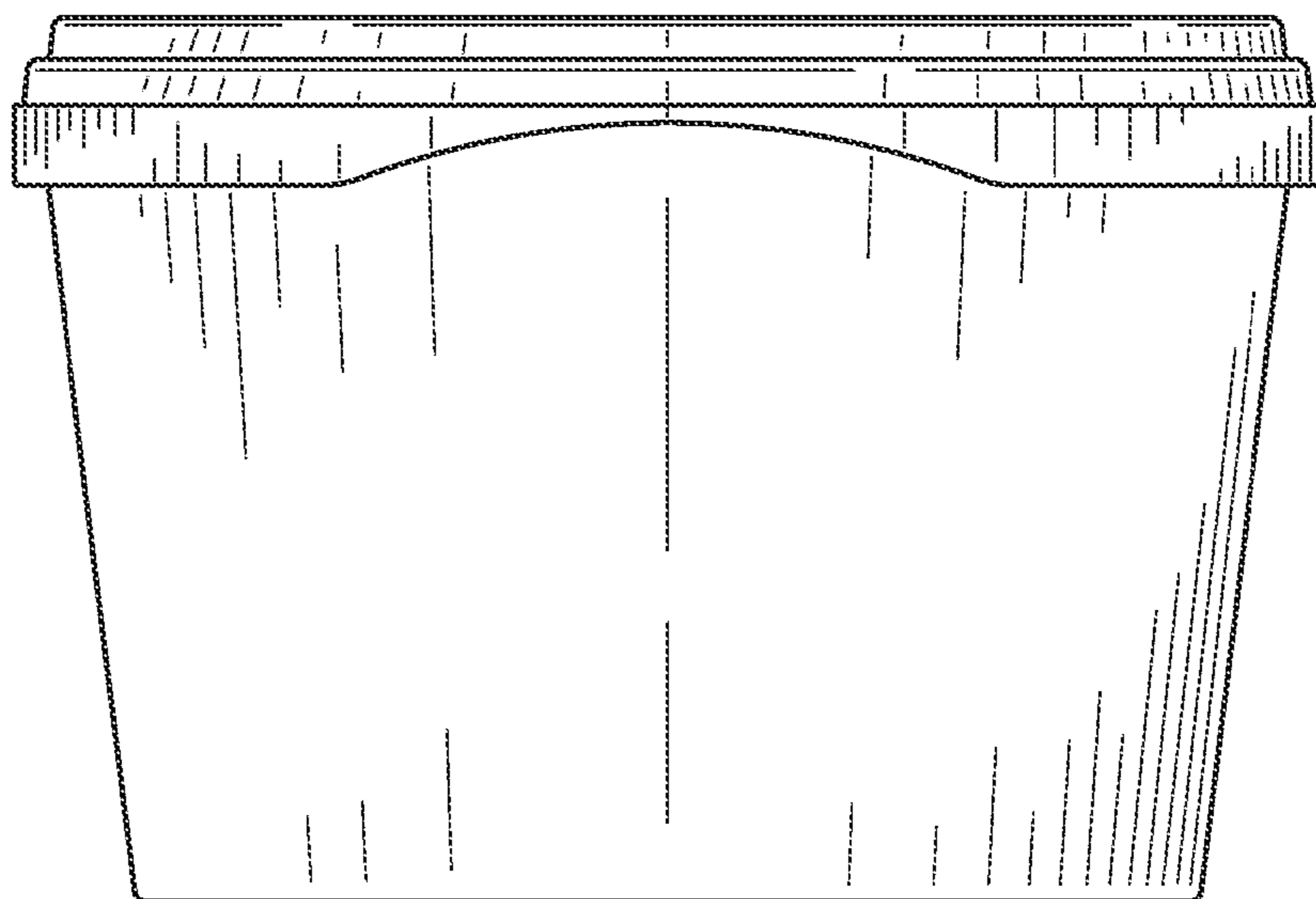




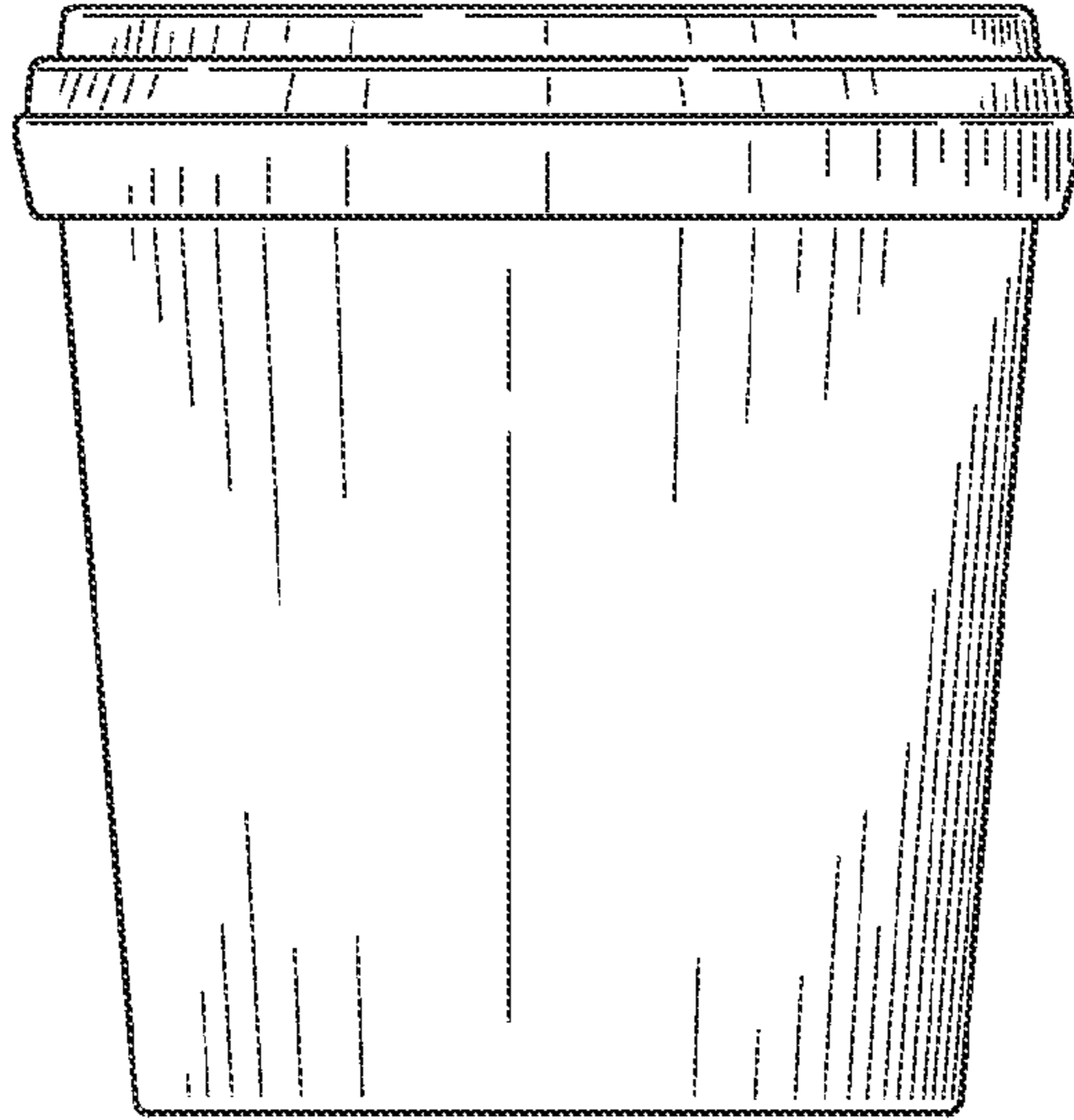
*FIG. 1*



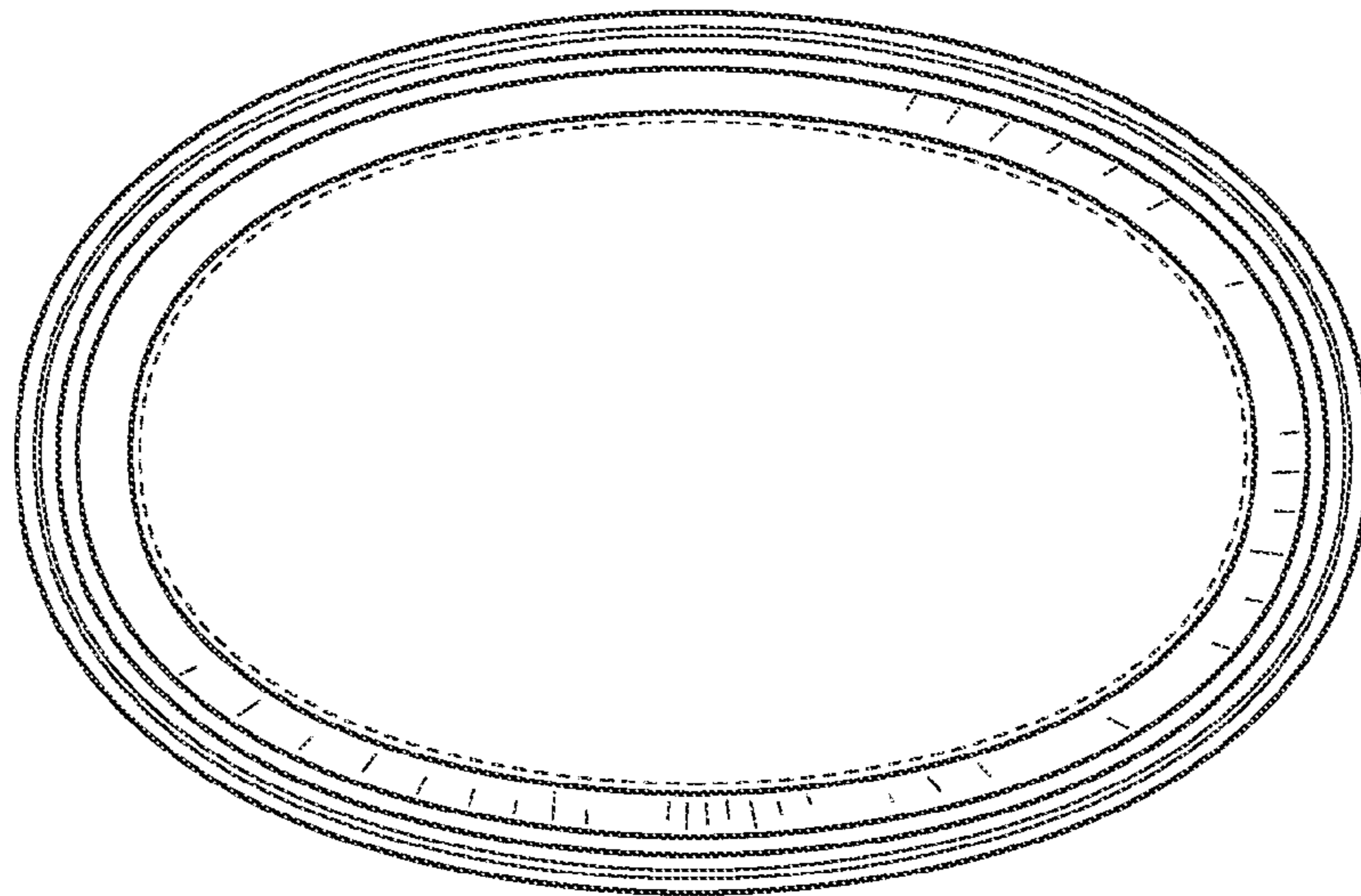
**FIG. 2**



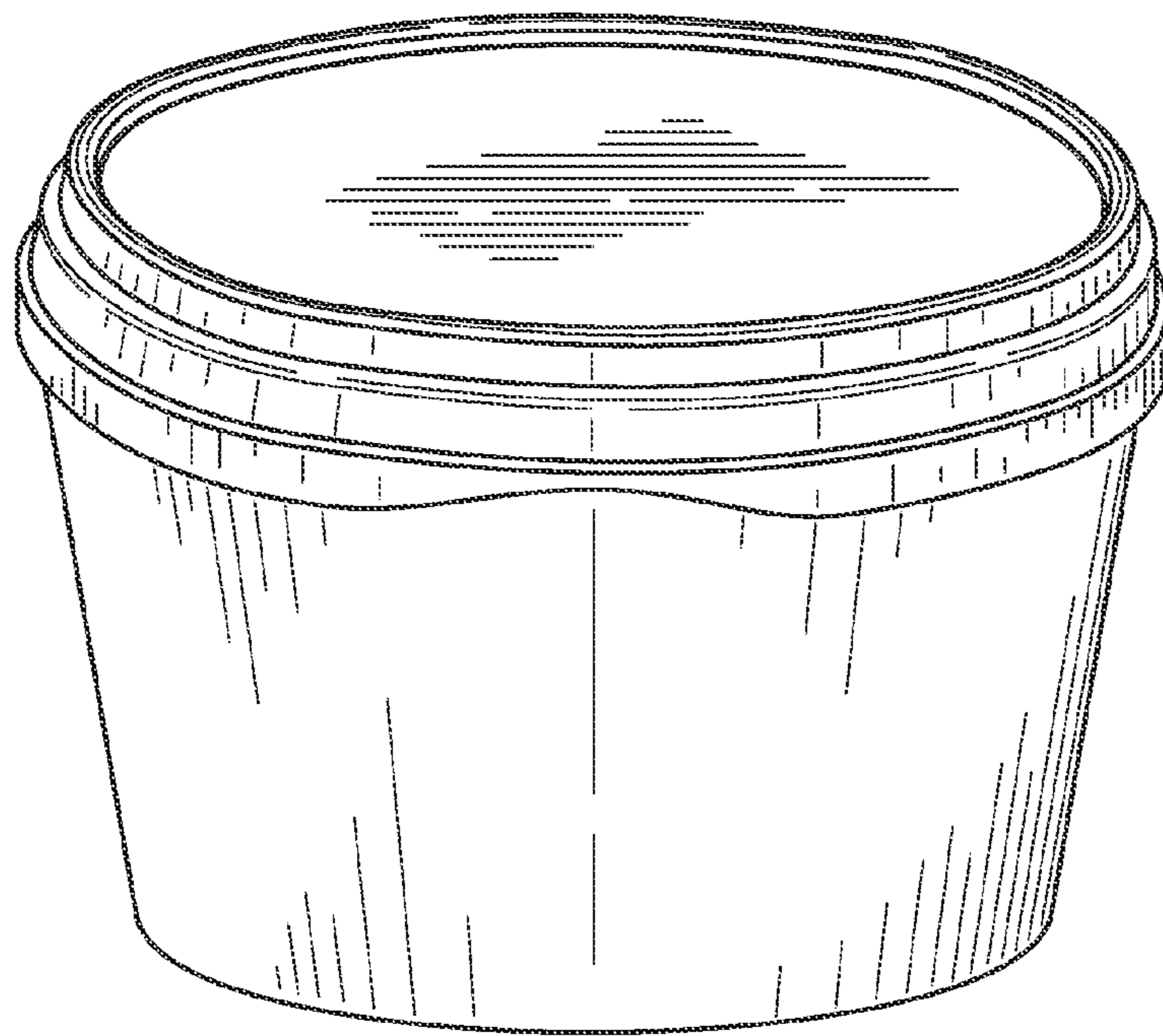
**FIG. 3**



*FIG. 4*



*FIG. 5*



**FIG. 6**