



US00D679990S

(12) **United States Design Patent**  
**O'Brien et al.**

(10) **Patent No.:** **US D679,990 S**

(45) **Date of Patent:** **\*\* Apr. 16, 2013**

(54) **PACKAGING**

(75) Inventors: **Lucy O'Brien**, Bath (GB); **Duncan Shotton**, Bradford-On-Avon (GB)

(73) Assignee: **Cara Technology Limited**, Leatherhead (GB)

(\*\*) Term: **14 Years**

(21) Appl. No.: **29/405,452**

(22) Filed: **Nov. 2, 2011**

(30) **Foreign Application Priority Data**

May 3, 2011 (EM) ..... 001858622-0001

(51) **LOC (9) Cl.** ..... **09-03**

(52) **U.S. Cl.**  
USPC ..... **D9/428; D9/756**

(58) **Field of Classification Search** ..... 206/242;  
131/329; D9/504, 428, 737, 738, 756, 772,  
D9/779, 780; D27/172, 183, 186, 189, 190  
See application file for complete search history.

(56) **References Cited**

**U.S. PATENT DOCUMENTS**

D392,562 S \* 3/1998 Lo ..... D9/731  
D440,871 S \* 4/2001 Lo ..... D9/732

D494,474 S \* 8/2004 Houk et al. .... D9/504  
D515,426 S \* 2/2006 Pace et al. .... D9/504  
D637,903 S \* 5/2011 Ghiotti et al. .... D9/428  
D665,252 S \* 8/2012 Mulready ..... D9/418  
D670,178 S \* 11/2012 Carson ..... D9/756  
2009/0230003 A1\* 9/2009 Thiellier ..... 206/247  
2010/0012534 A1\* 1/2010 Hoffman ..... 206/265  
2010/0078341 A1\* 4/2010 Rasmussen et al. .... 206/260  
2011/0290682 A1\* 12/2011 Gibson et al. .... 206/265  
2011/0303566 A1\* 12/2011 Gibson et al. .... 206/246

\* cited by examiner

*Primary Examiner* — Thomas Johannes

(74) *Attorney, Agent, or Firm* — Gordon & Jacobson, PC

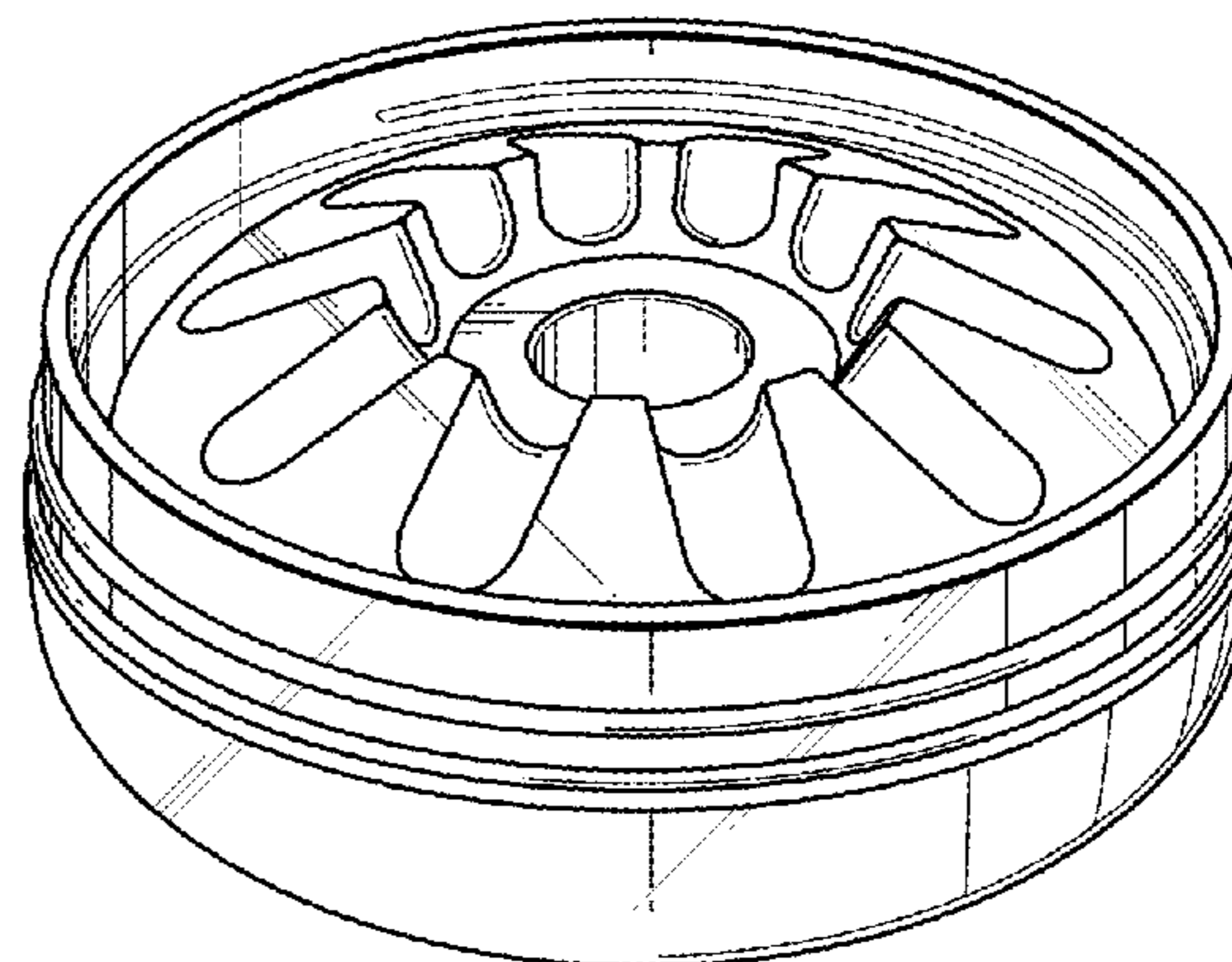
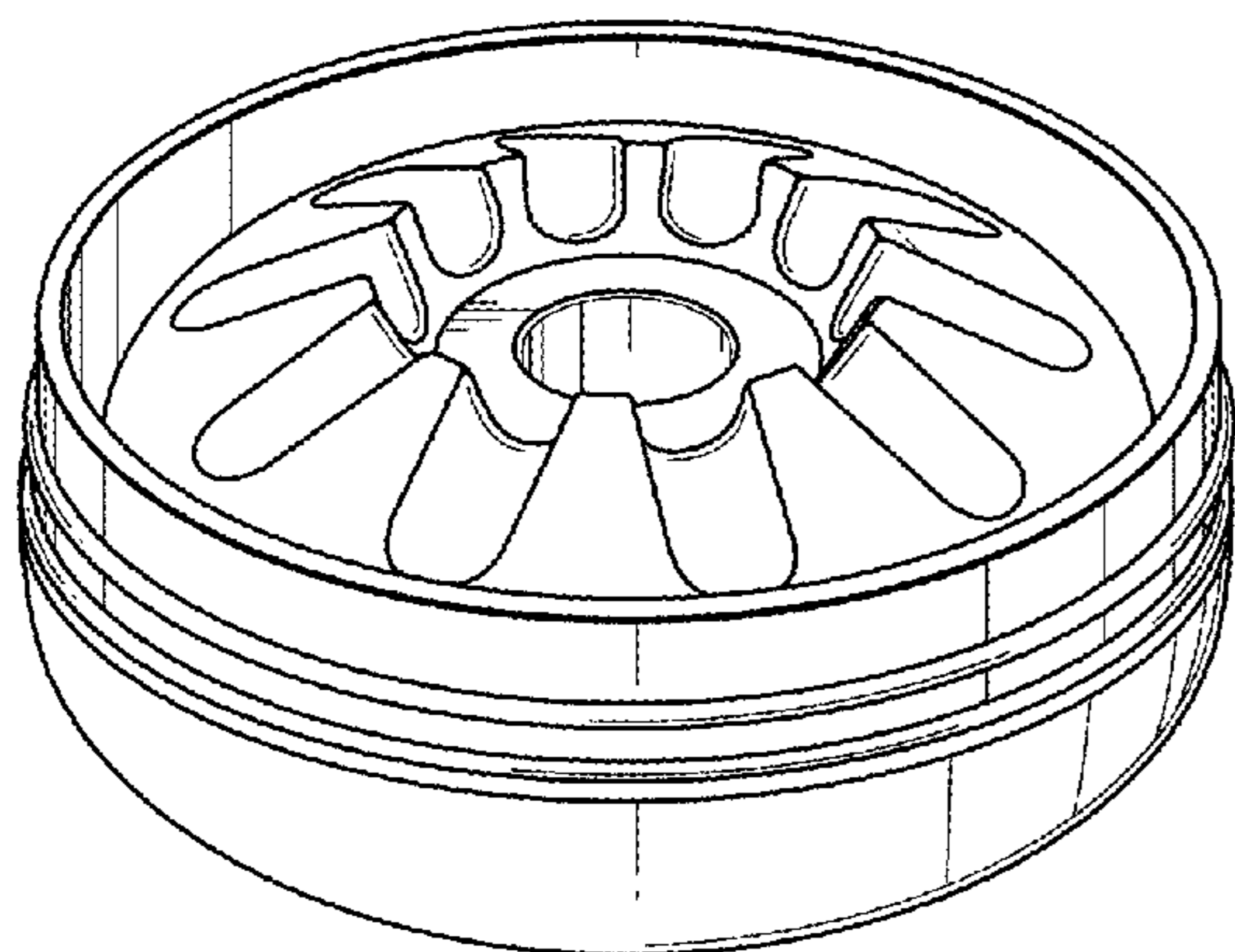
(57) **CLAIM**

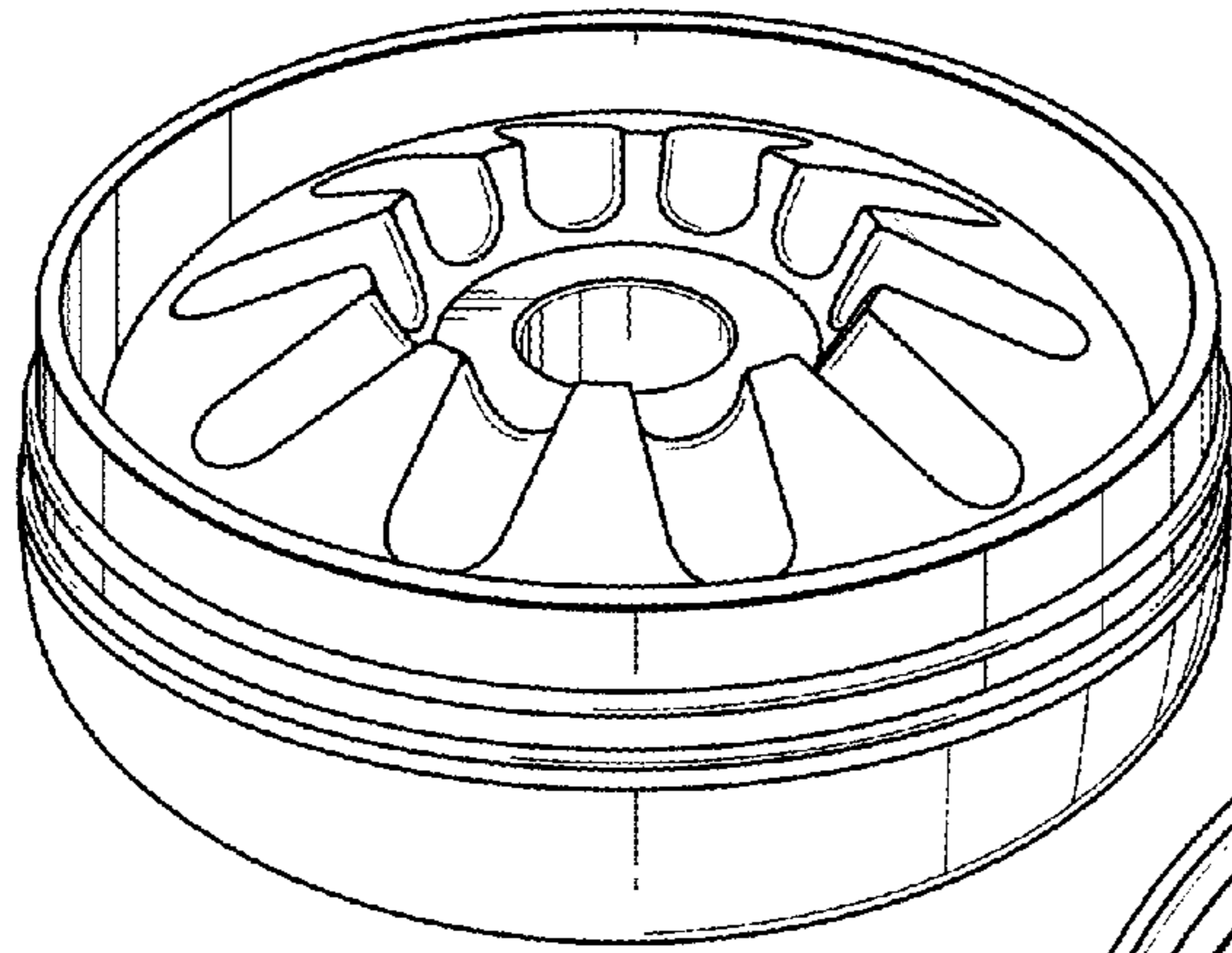
The ornamental design for a packaging, as shown and described.

**DESCRIPTION**

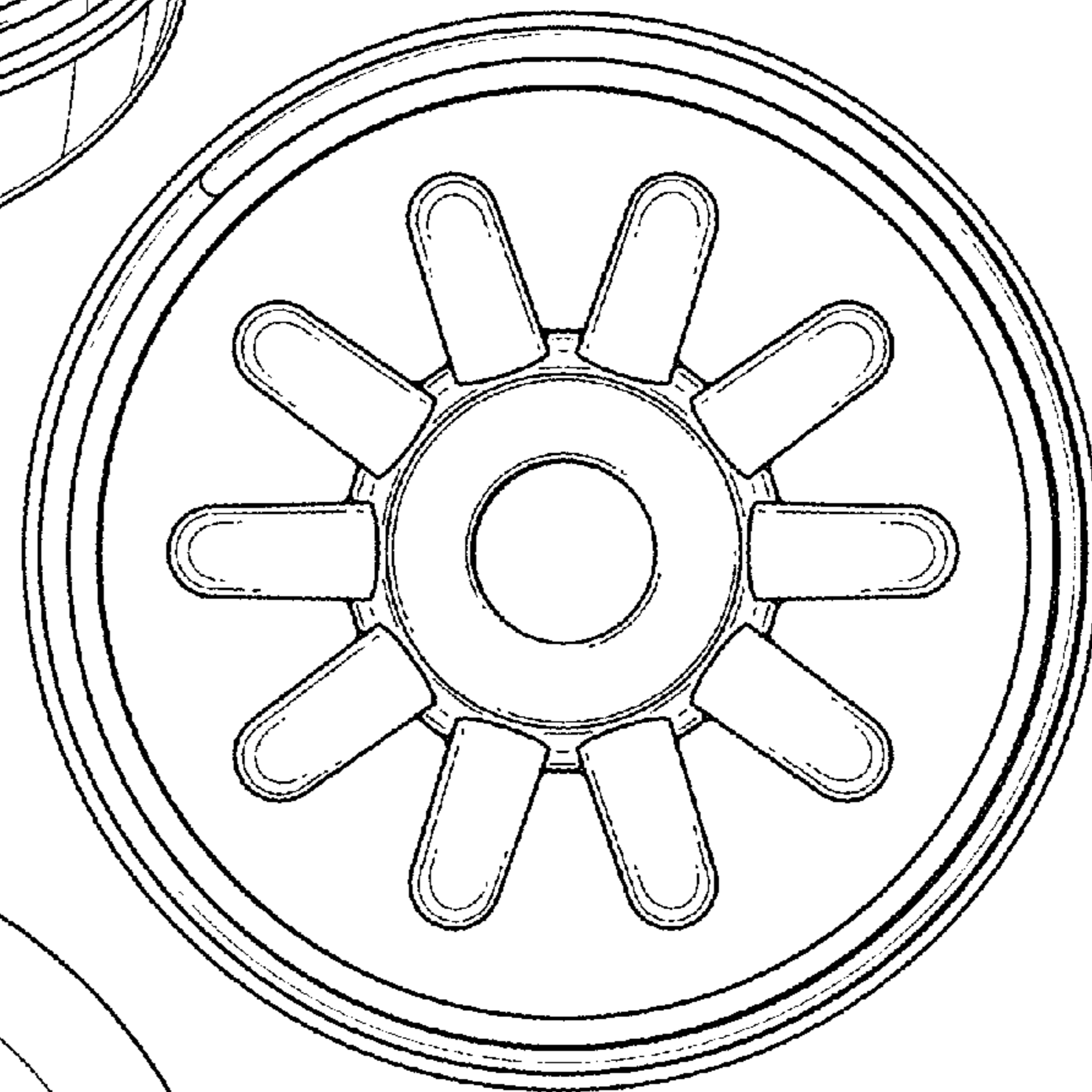
FIG. 1 is a top perspective view of a first embodiment of packaging, showing our new design;  
FIG. 2 is a top plan view thereof;  
FIG. 3 is a bottom plan view thereof;  
FIG. 4 is a side view thereof;  
FIG. 5 is a top perspective view of a second embodiment of packaging, showing our new design;  
FIG. 6 is a top plan view thereof;  
FIG. 7 is a bottom plan view thereof; and,  
FIG. 8 is a side view thereof.

**1 Claim, 2 Drawing Sheets**

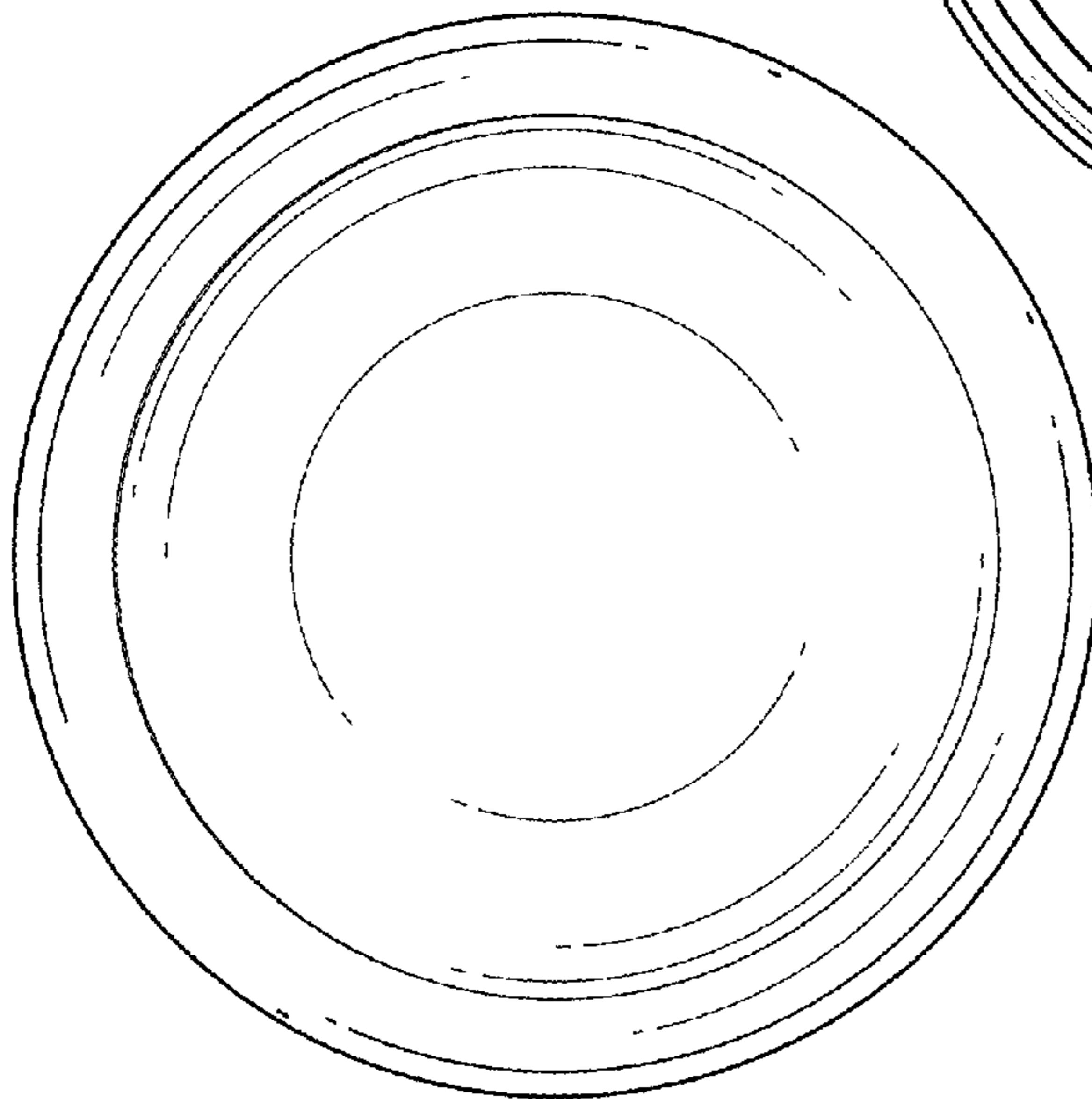




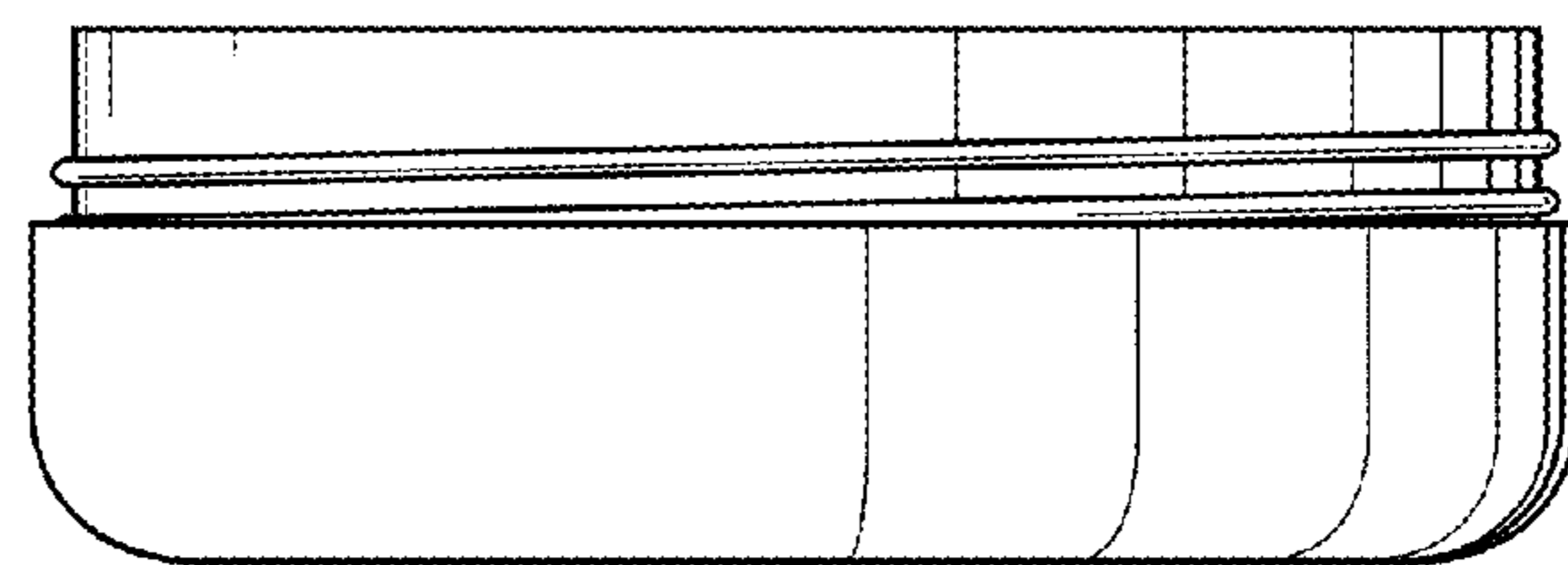
*Fig. 1*



*Fig. 2*

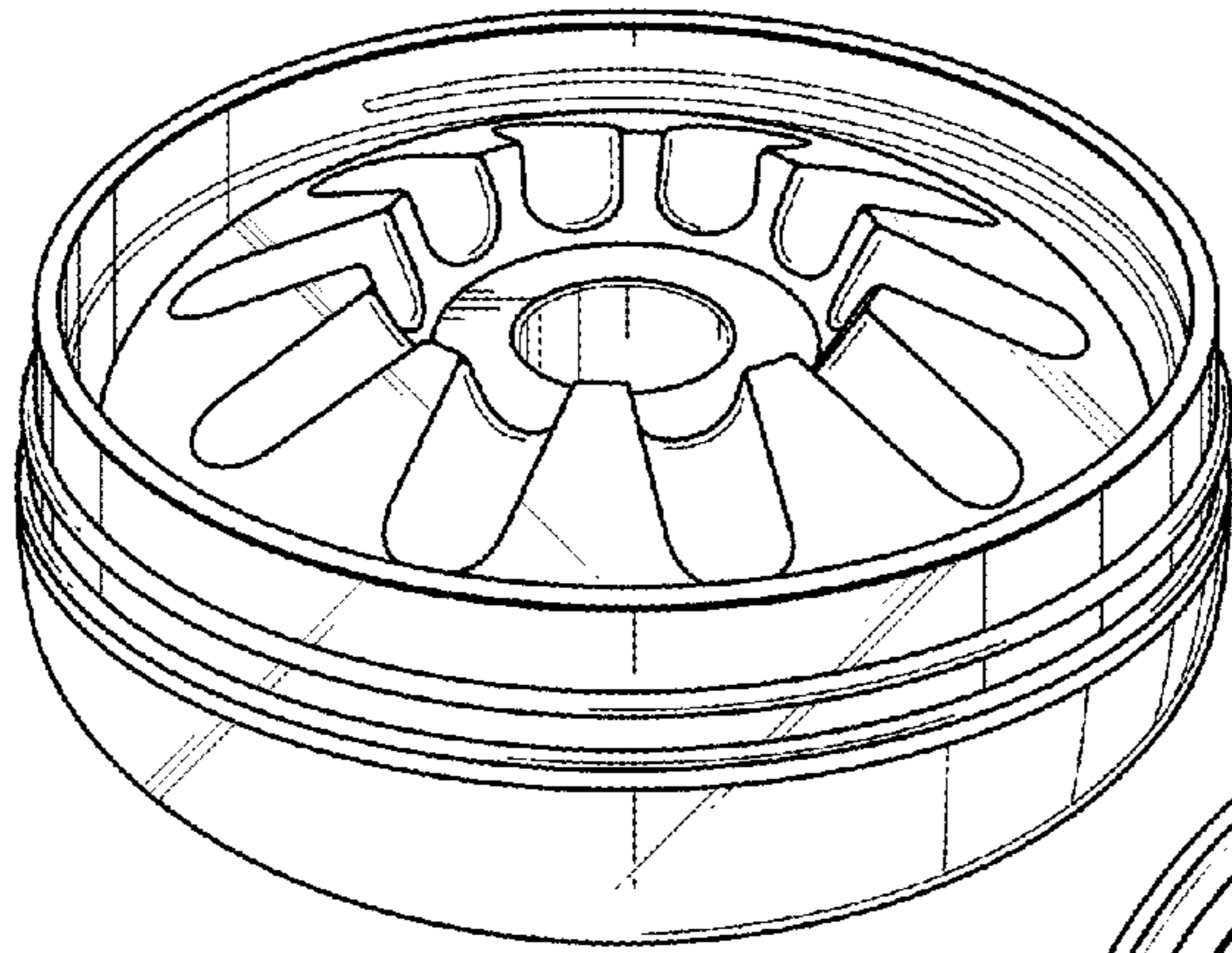


*Fig. 3*

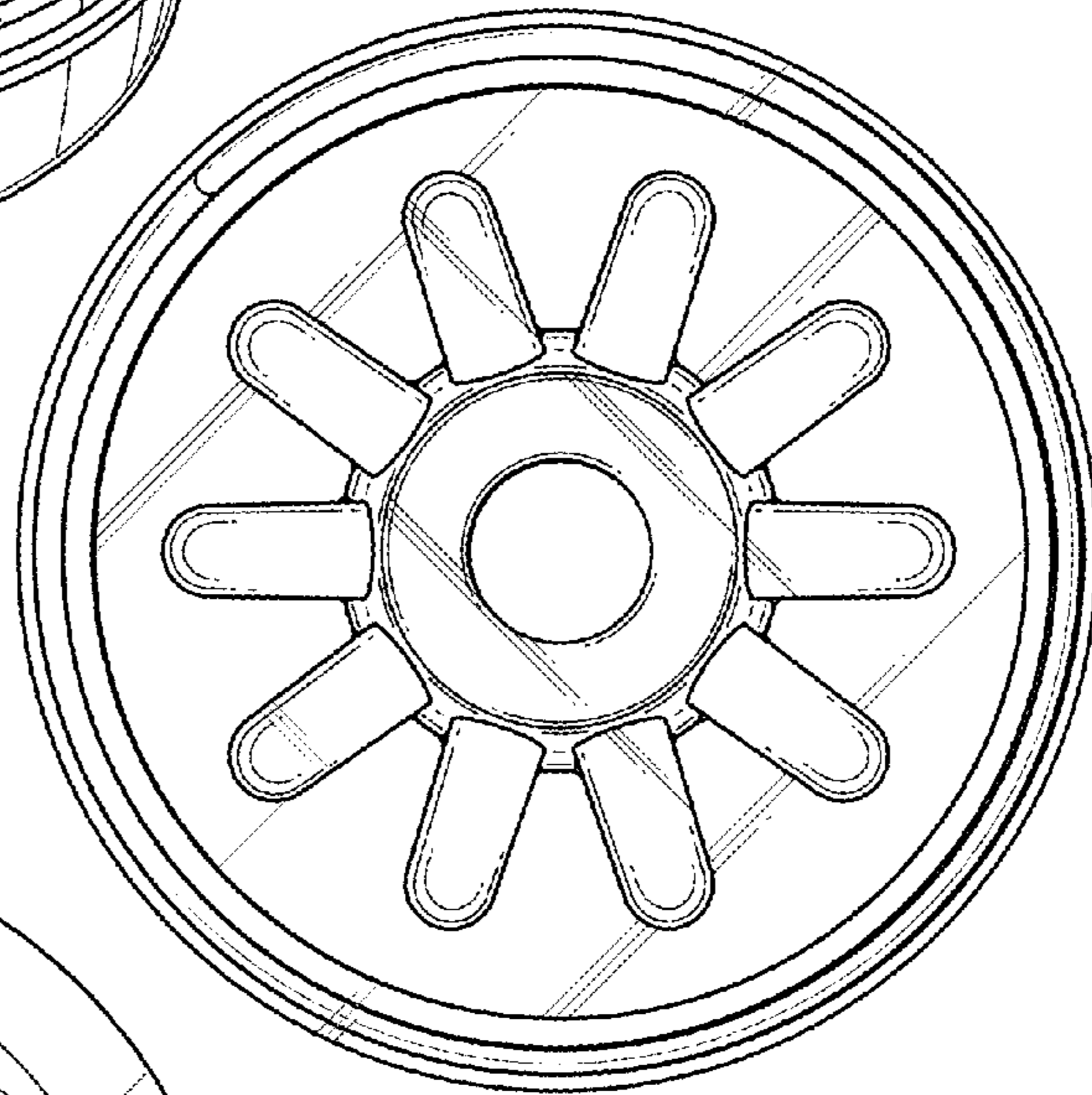


*Fig. 4*

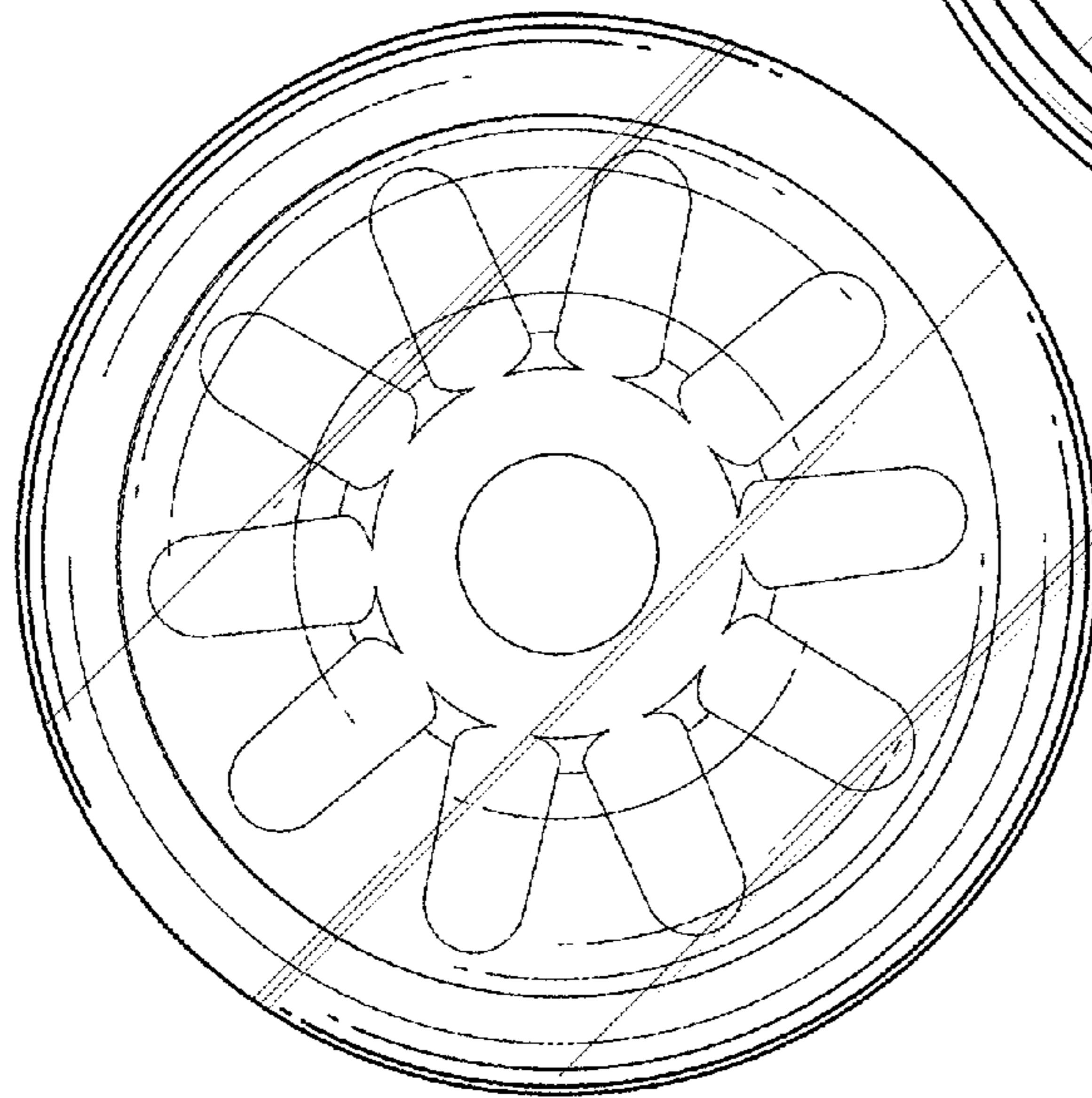




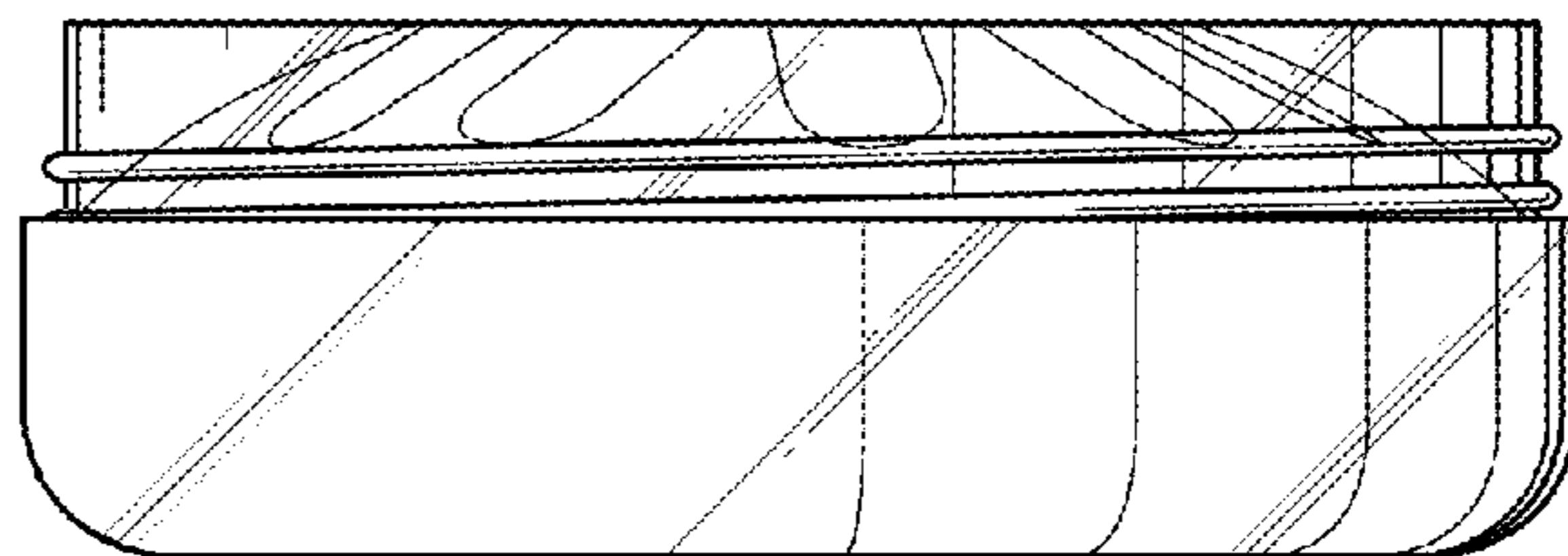
*Fig. 5*



*Fig. 6*



*Fig. 7*



*Fig. 8*