



US00D679989S

(12) **United States Design Patent**
Stief

(10) **Patent No.:** **US D679,989 S**

(45) **Date of Patent:** **** Apr. 16, 2013**

(54) **TOOTHBRUSH PACKAGING**

(56) **References Cited**

(75) Inventor: **Christian Stief**, Frankfurt (DE)

U.S. PATENT DOCUMENTS

(73) Assignee: **The Gillette Company**, Boston, MA
(US)

D425,414	S	*	5/2000	Baker et al.	D9/415
D590,245	S	*	4/2009	Nanda	D9/415
D622,138	S	*	8/2010	Winkler et al.	D9/415
D632,573	S	*	2/2011	Bolsinger	D9/457
D642,047	S	*	7/2011	Nanda	D9/415

(**) Term: **14 Years**

* cited by examiner

(21) Appl. No.: **29/411,853**

Primary Examiner — Robert M Spear

Assistant Examiner — Rhea Shields

(22) Filed: **Jan. 26, 2012**

(74) *Attorney, Agent, or Firm* — David M. Weirich

(51) **LOC (9) Cl.** **09-03**

(57) **CLAIM**

The ornamental design for a toothbrush packaging or the like, as shown and described above.

(52) **U.S. Cl.**

DESCRIPTION

USPC **D9/415**

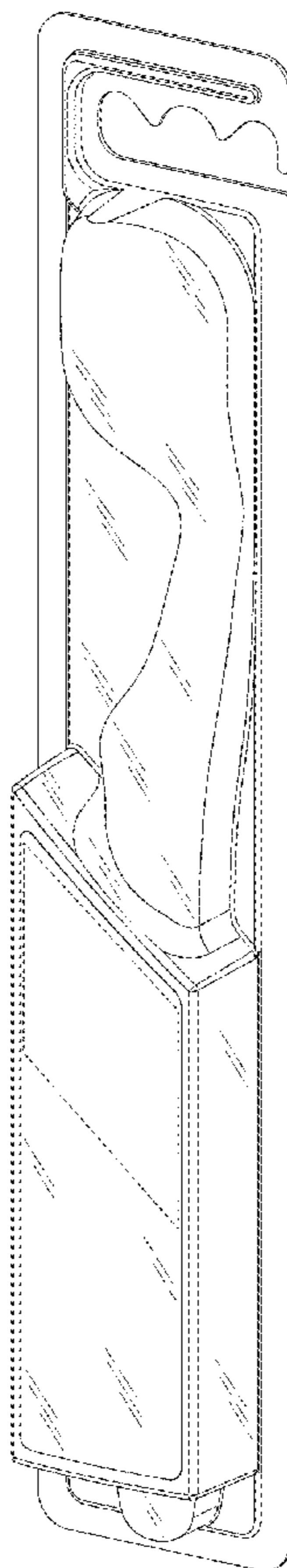
(58) **Field of Classification Search** D9/346,
D9/414–418, 424, 425, 423, 432–436, 445,
D9/431, 453, 499, 500, 504, 516, 519, 522,
D9/529, 535, 537, 545, 551, 571, 672, 675,
D9/702, 711, 715, 721, 722, 737, 748, 759,
D9/740, 743, 745, 749, 756, 718; D3/201,
D3/203.3, 269, 273, 282, 300, 302, 315;
221/306; 53/411, 467, 170; 206/536

FIG. 1 is a perspective view of a toothbrush packaging;
FIG. 2 is a front view thereof;
FIG. 3 is a right side view thereof;
FIG. 4 is a rear view thereof;
FIG. 5 is a left side view thereof;
FIG. 6 is a top plan view thereof; and,
FIG. 7 is a bottom view thereof.

The broken lines in the drawings depict unclaimed environment.

See application file for complete search history.

1 Claim, 2 Drawing Sheets



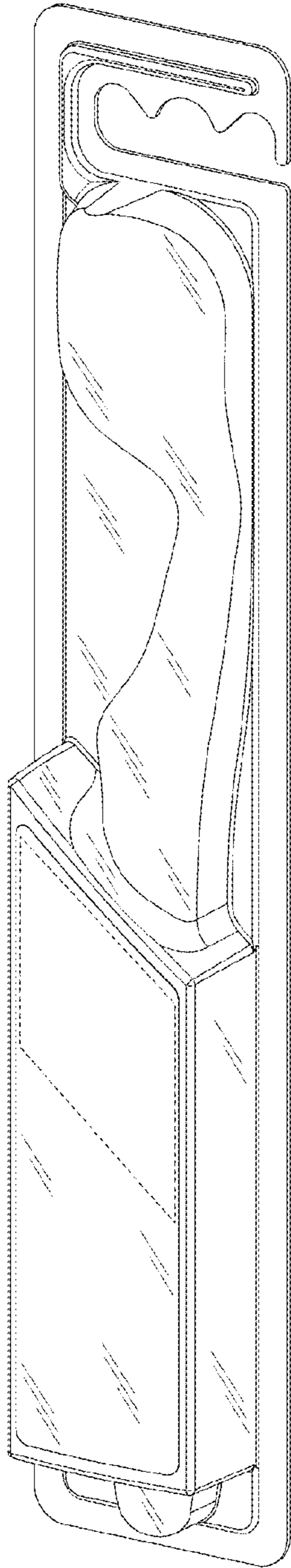


Fig. 1

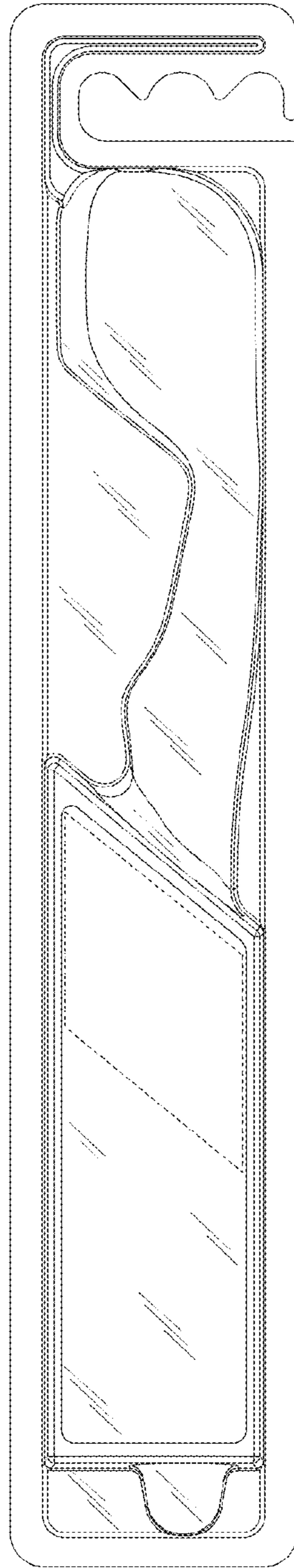


Fig. 2

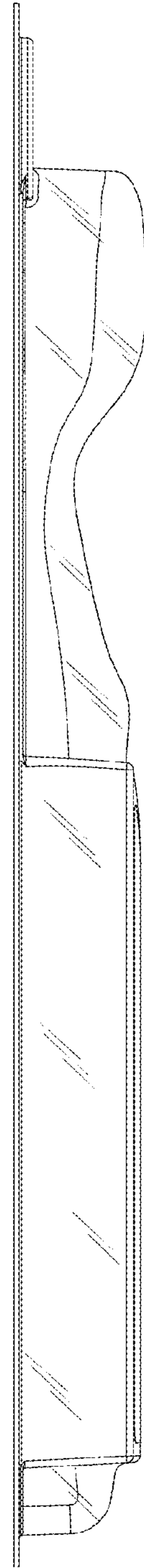


Fig. 3

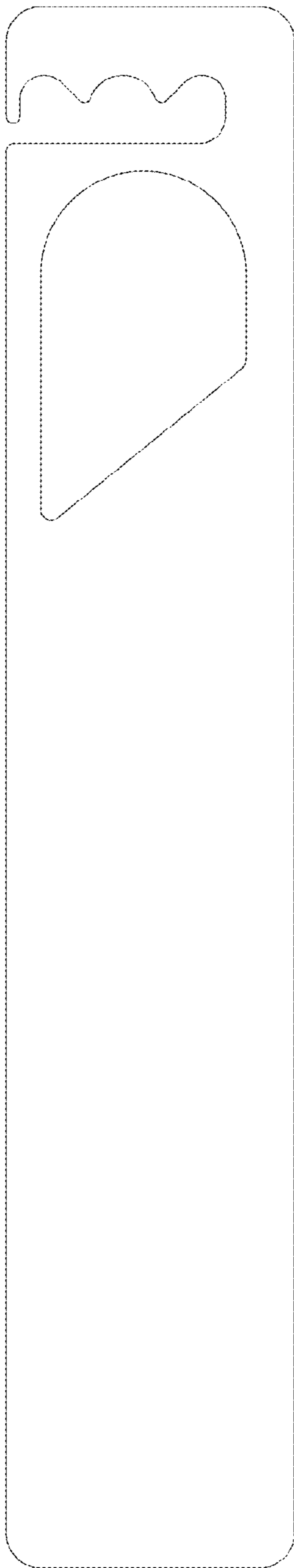


Fig. 4

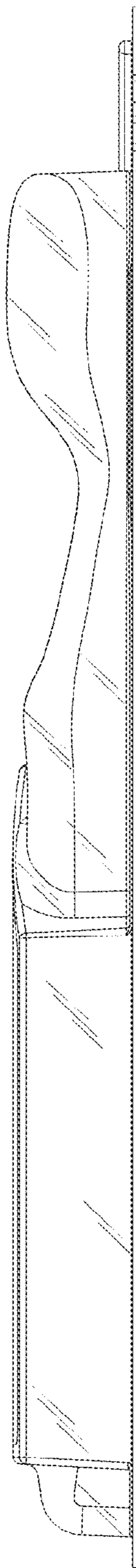


Fig. 5

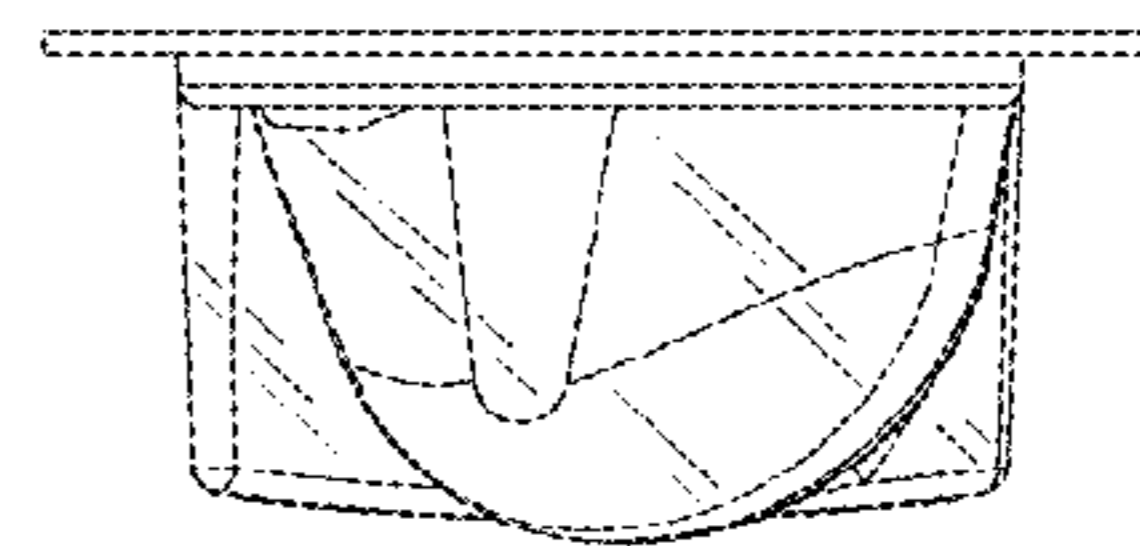


Fig. 6

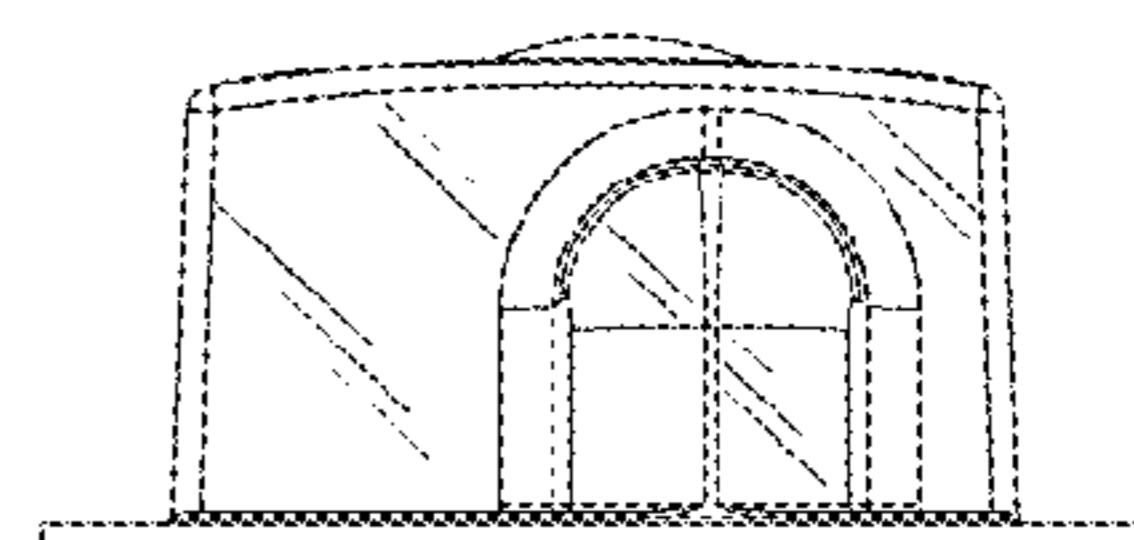


Fig. 7