



US00D679988S

(12) **United States Design Patent**  
**Yamazaki**

(10) **Patent No.:** **US D679,988 S**

(45) **Date of Patent:** **\*\* Apr. 16, 2013**

- (54) **NUT**
- (75) **Inventor:** **Tadayoshi Yamazaki**, Nagano (JP)
- (73) **Assignee:** **Kabushiki Kaisha Yamazaki active**,  
Nagano (JP)
- (\*\*) **Term:** **14 Years**
- (21) **Appl. No.:** **29/425,290**
- (22) **Filed:** **Jun. 21, 2012**
- (51) **LOC (9) Cl.** ..... **08-08**
- (52) **U.S. Cl.**  
USPC ..... **D8/397**
- (58) **Field of Classification Search** ..... D8/397,  
D8/394, 382, 349; 411/427, 429, 432, 918,  
411/179, 180  
See application file for complete search history.

- D184,667 S \* 3/1959 Curtiss ..... D13/155
- D201,388 S \* 6/1965 Pick ..... D8/397
- D311,131 S \* 10/1990 Saito ..... D8/397
- D524,149 S \* 7/2006 Kim ..... D8/397
- D594,096 S \* 6/2009 Bucchi ..... D23/262
- D609,999 S \* 2/2010 Andersson ..... D8/399
- D646,153 S \* 10/2011 Andersson ..... D8/397
- D646,154 S \* 10/2011 Andersson ..... D8/397
- 2007/0151355 A1 \* 7/2007 Marczynski et al. .... 73/761

\* cited by examiner

*Primary Examiner* — Cynthia Underwood

(74) *Attorney, Agent, or Firm* — Muncy, Geissler, Olds & Lowe, PLLC

(57) **CLAIM**

The ornamental design for a nut, as shown and described.

**DESCRIPTION**

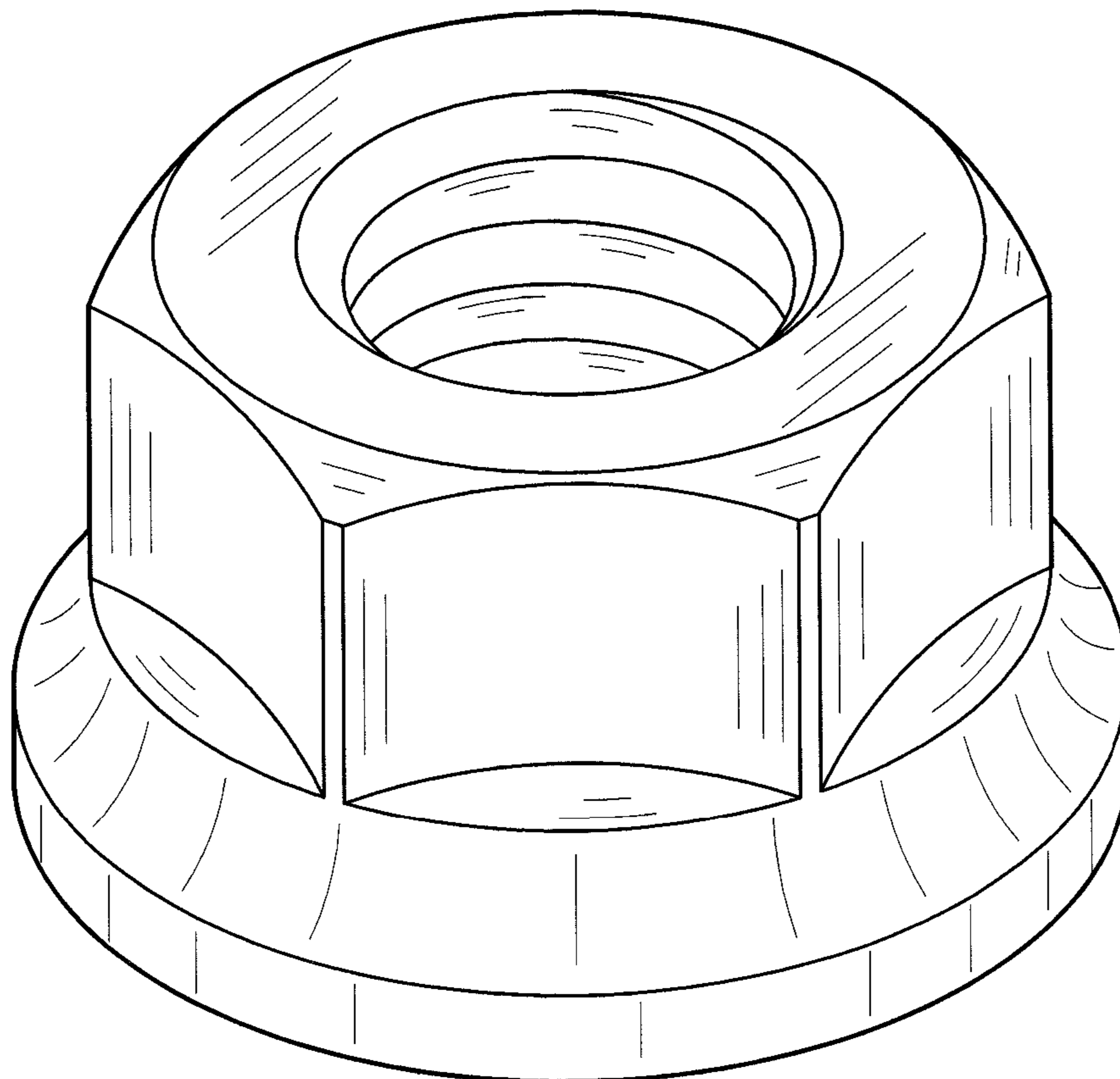
FIG. 1 is a front view of a nut showing my new design, the rear view being the same;  
 FIG. 2 is a right view of the nut, the left view being the same;  
 FIG. 3 is a plan view of the nut;  
 FIG. 4 is a bottom view of the nut;  
 FIG. 5 is a sectional view taken along line 5-5 of FIG. 1 of the nut; and,  
 FIG. 6 is a perspective view nut.

**1 Claim, 6 Drawing Sheets**

(56) **References Cited**

U.S. PATENT DOCUMENTS

- D28,212 S \* 1/1898 Von Biedefeld ..... D8/397
- D30,898 S \* 5/1899 Paine ..... D8/397
- D44,178 S \* 6/1913 McMurtrie ..... D23/262
- D76,255 S \* 9/1928 Nelson ..... D8/397



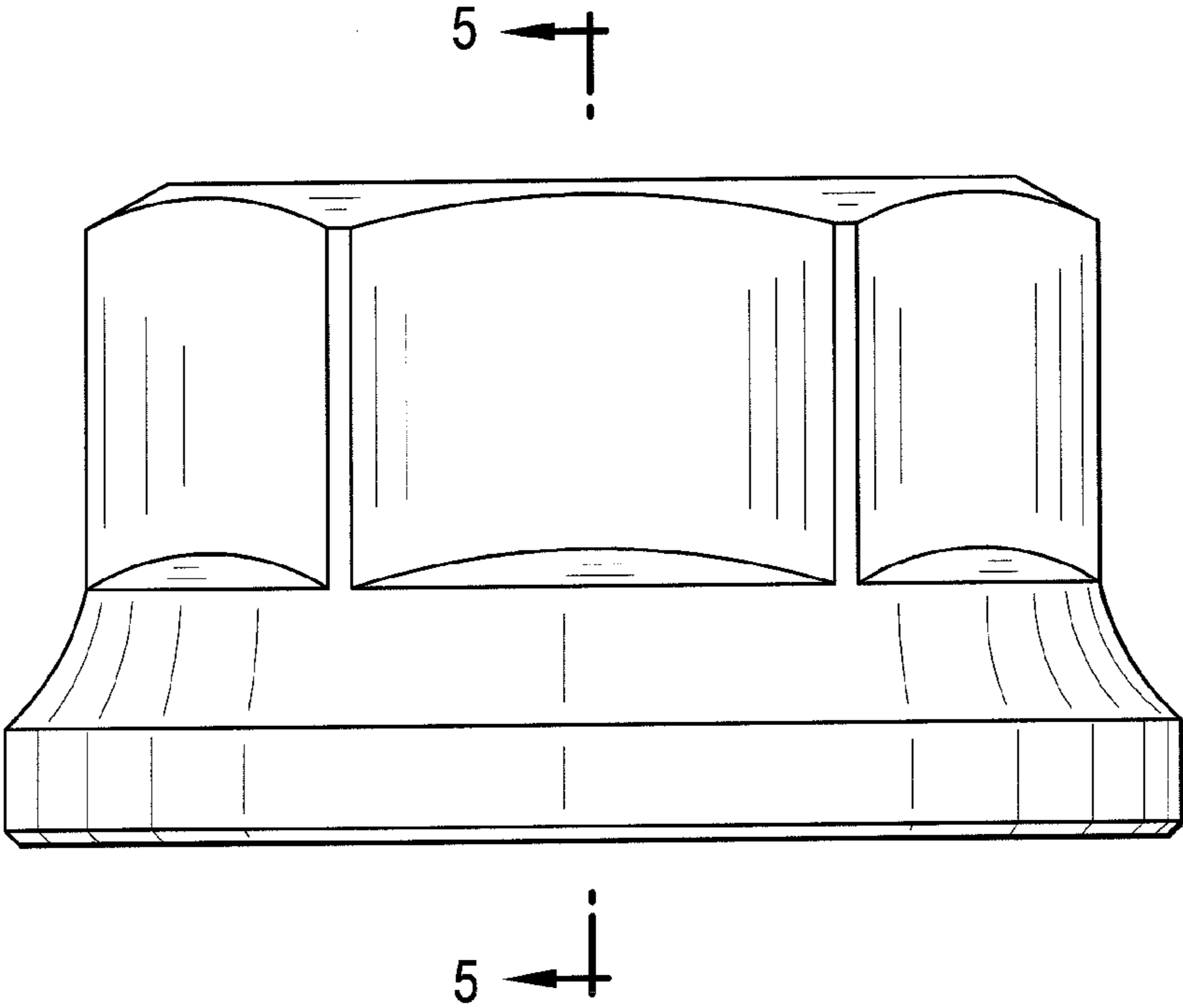


FIG.1

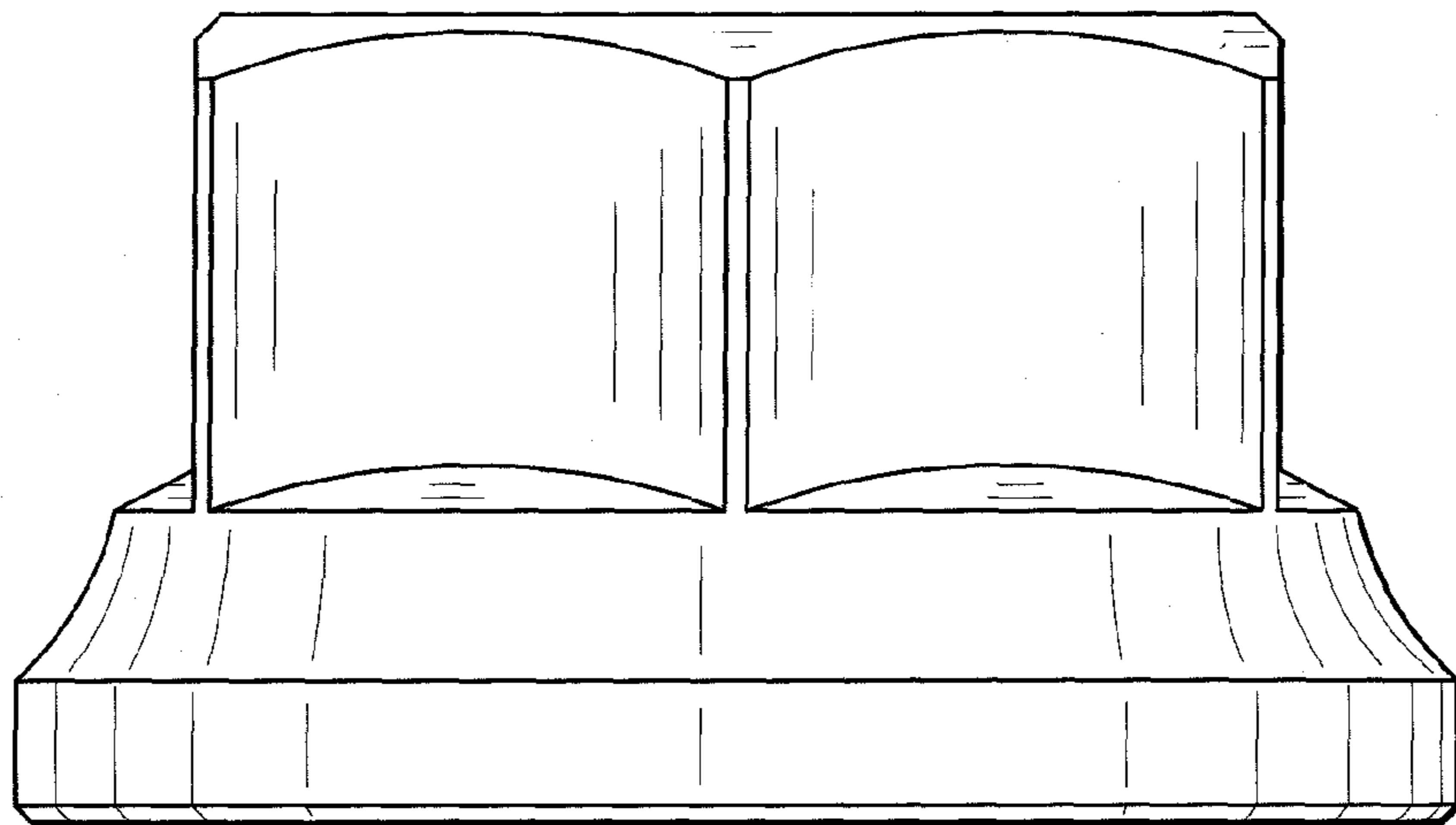


FIG.2

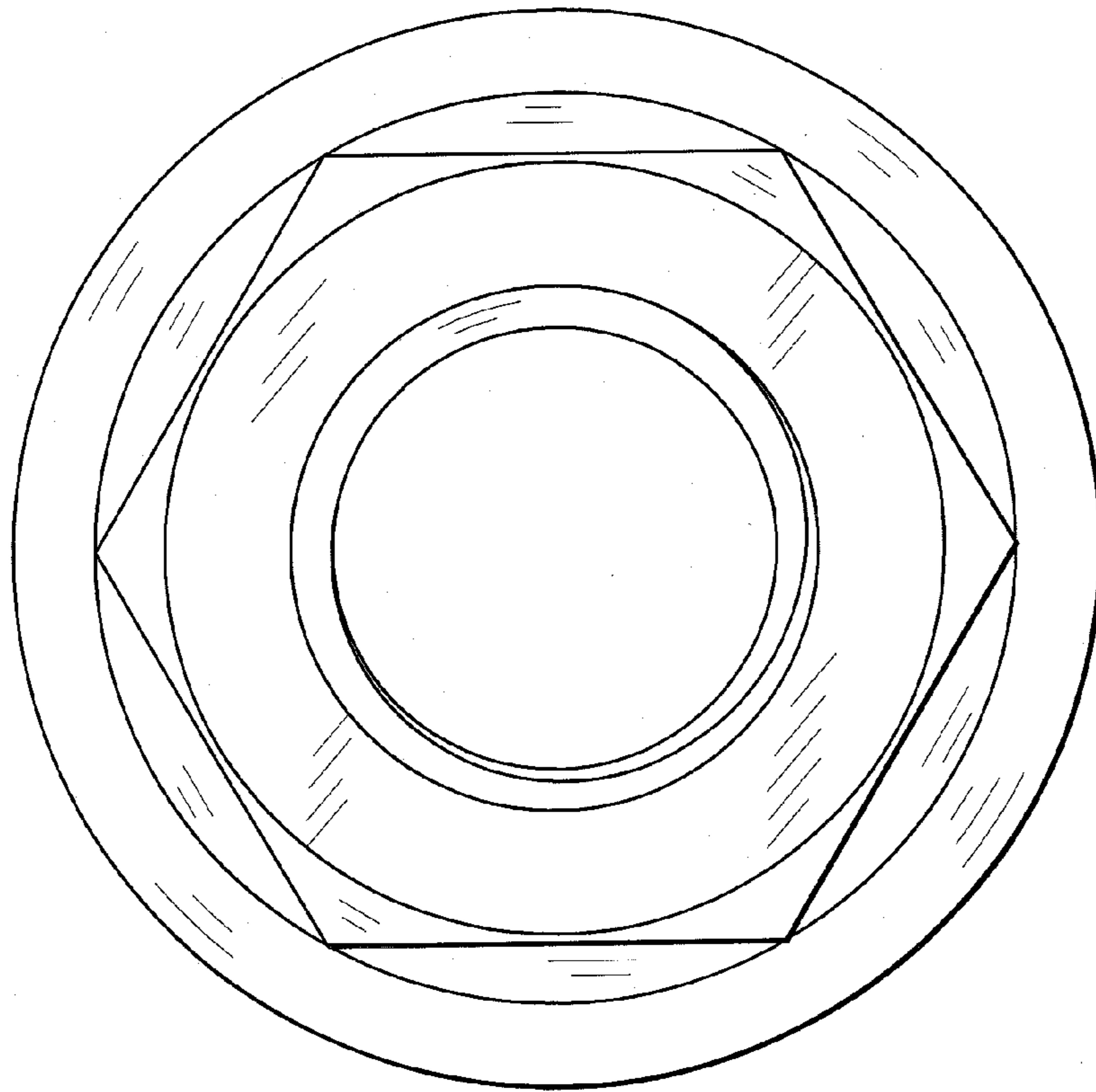


FIG.3

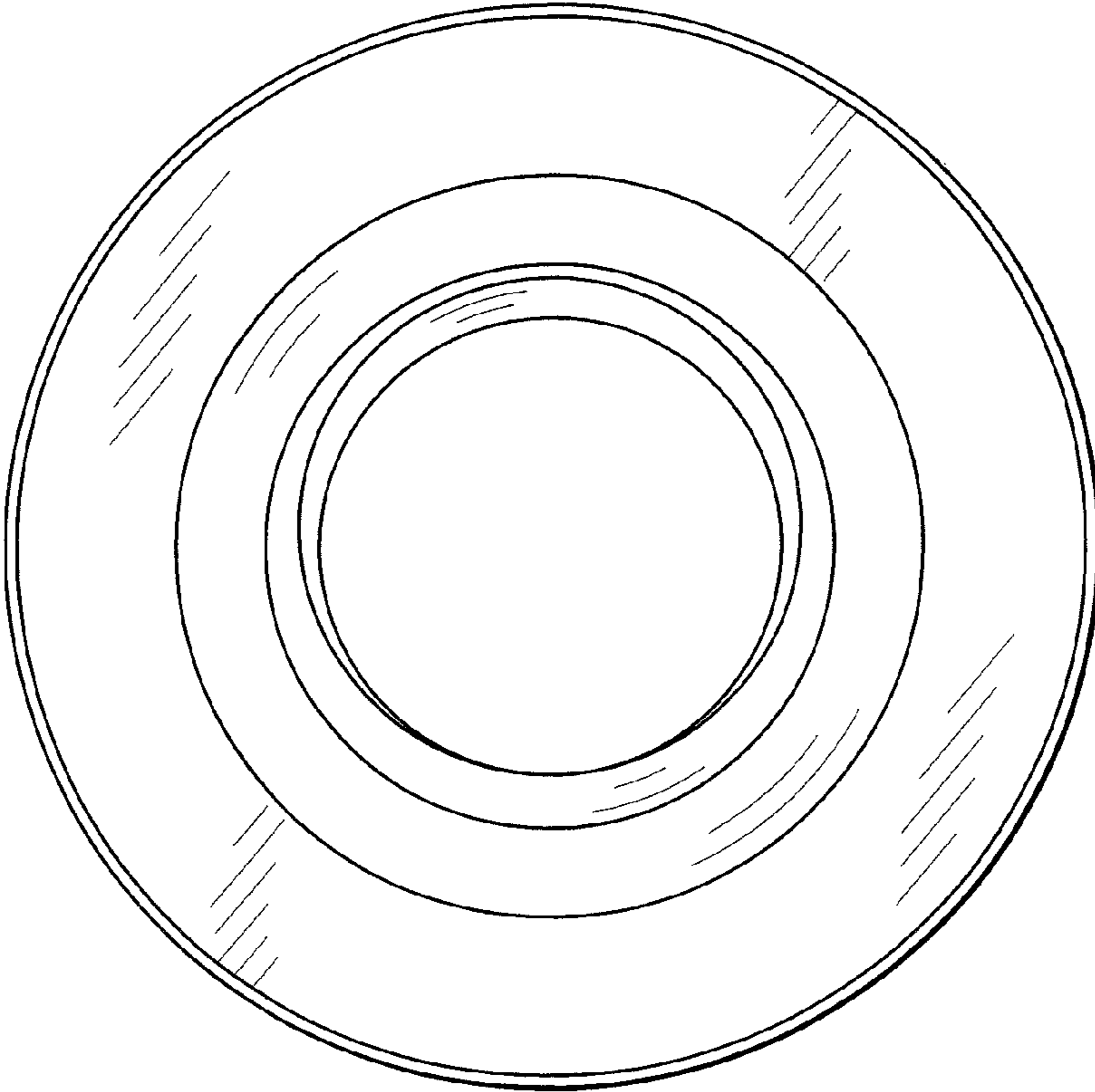


FIG.4

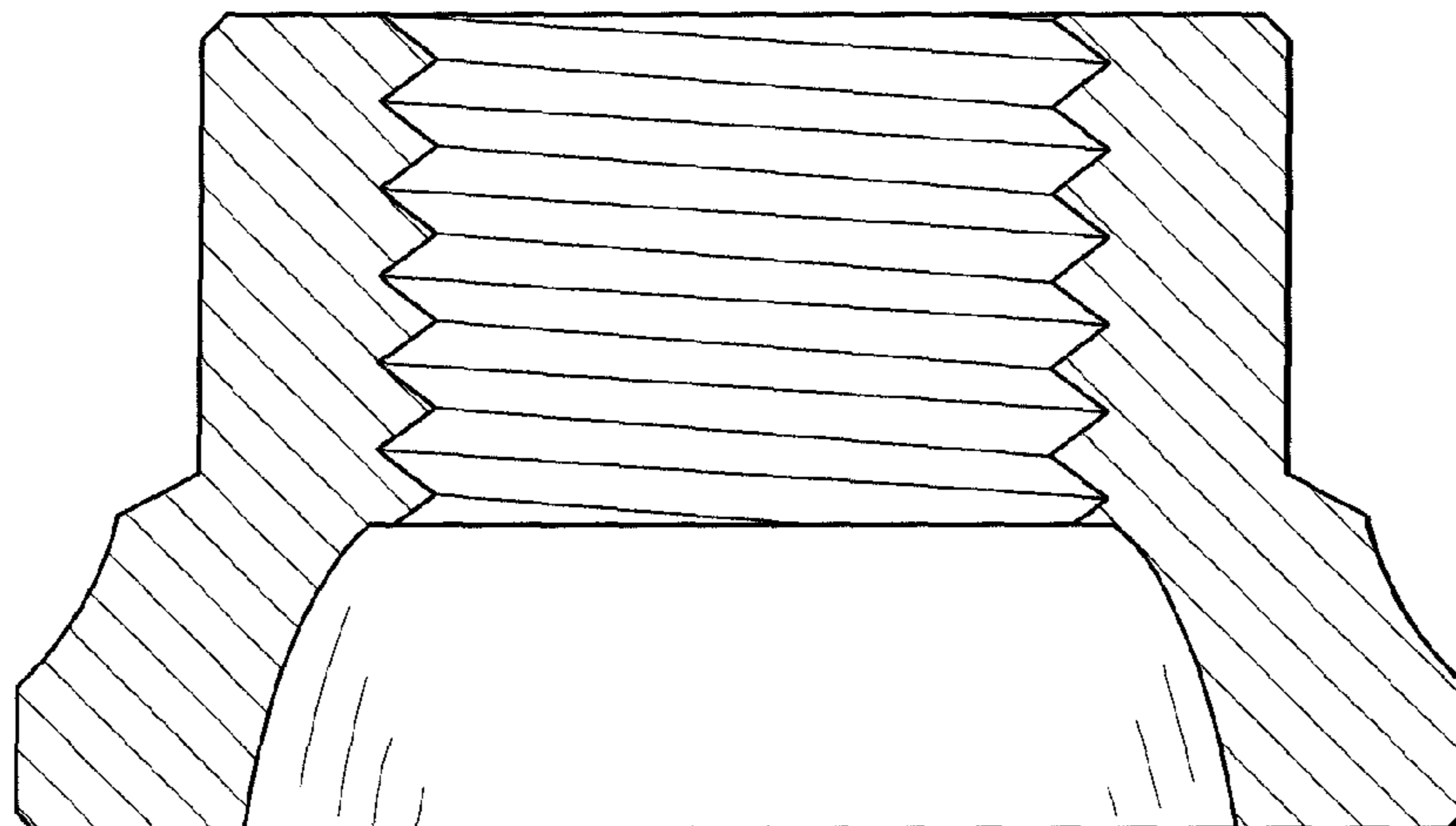


FIG.5

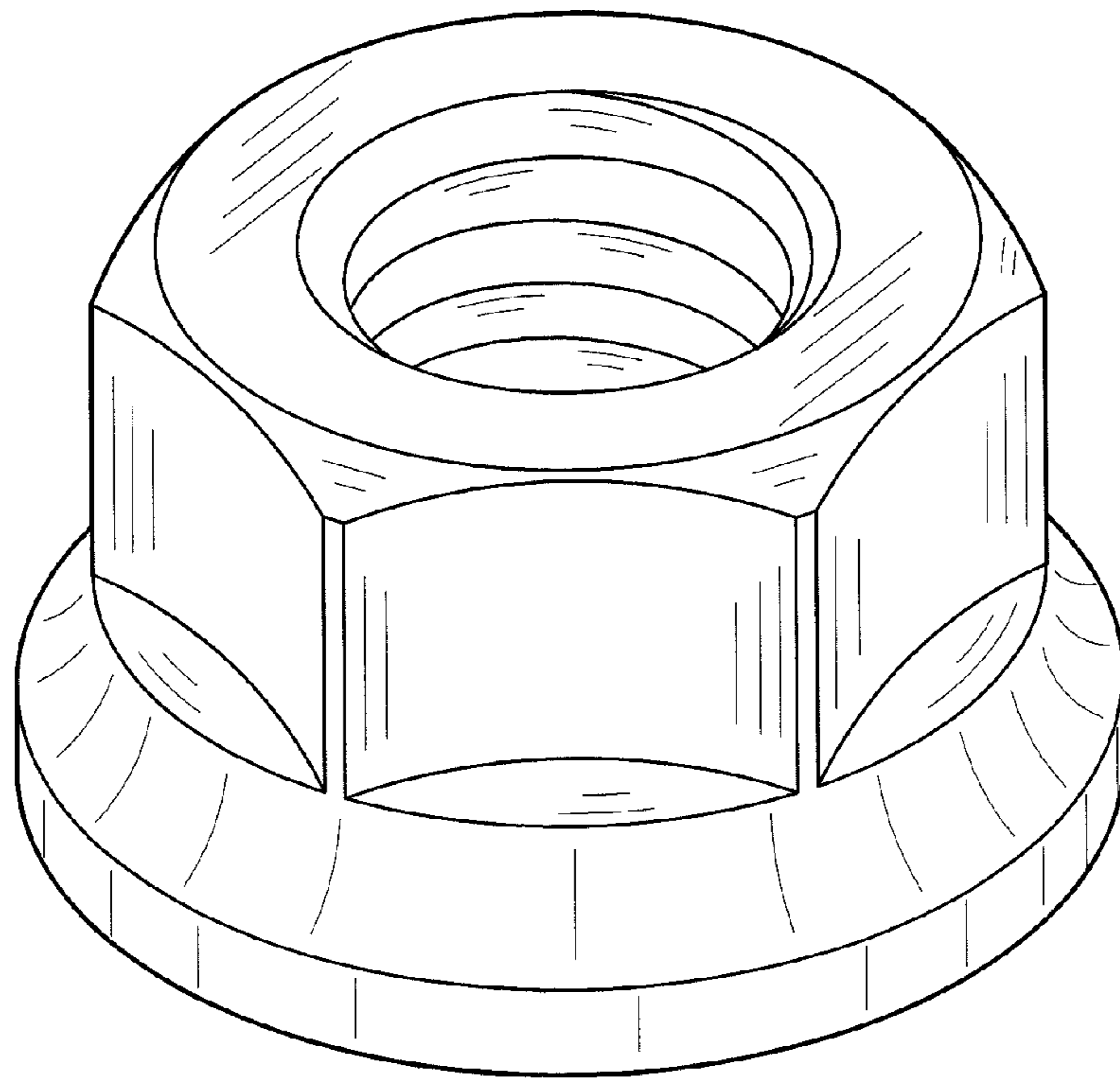


FIG.6