



US00D679987S

(12) **United States Design Patent**  
**Wardi**

(10) **Patent No.:** **US D679,987 S**  
(45) **Date of Patent:** **\*\* Apr. 16, 2013**

(54) **SASH FASTENER**  
(75) Inventor: **Florian Wardi**, Wuppertal (DE)  
(73) Assignee: **Steinbach & Vollmann GmbH & Co. KG**, Helligenhaus (DE)  
(\*\*) Term: **14 Years**  
(21) Appl. No.: **29/400,697**  
(22) Filed: **Aug. 31, 2011**

5,251,467 A \* 10/1993 Anderson ..... 70/370  
D352,884 S 11/1994 Schlack  
D365,011 S 12/1995 Myers  
5,491,993 A \* 2/1996 Anderson ..... 70/367  
D469,680 S 2/2003 Laabs et al.  
D482,596 S 11/2003 Laabs et al.  
D494,839 S 8/2004 Ford  
D520,340 S 5/2006 Freck  
D551,941 S 10/2007 Miao et al.  
D590,234 S \* 4/2009 Wu et al. .... D8/331  
D591,139 S 4/2009 Gulley  
D652,285 S \* 1/2012 Wardi ..... D8/331

\* cited by examiner

**Related U.S. Application Data**

(62) Division of application No. 29/367,016, filed on Aug. 2, 2010, now Pat. No. Des. 652,285.

*Primary Examiner* — Prabhakar Deshmukh

(74) *Attorney, Agent, or Firm* — Advitam IP, LLC

**Foreign Application Priority Data**

(30) Feb. 1, 2010 (EP) ..... 1664012  
(51) **LOC (9) Cl.** ..... **08-07**  
(52) **U.S. Cl.**  
USPC ..... **D8/331**  
(58) **Field of Classification Search** ..... D8/339,  
D8/331, 333, 343, 341; 70/77-79, 57, 58,  
70/89, 158, 230, 275, 423, 427, 455, 372,  
70/373, 281, 449, 377, 381, 379 R, DIG. 62,  
70/DIG. 43  
See application file for complete search history.

(57) **CLAIM**

The ornamental design for a sash fastener, as shown and described.

**DESCRIPTION**

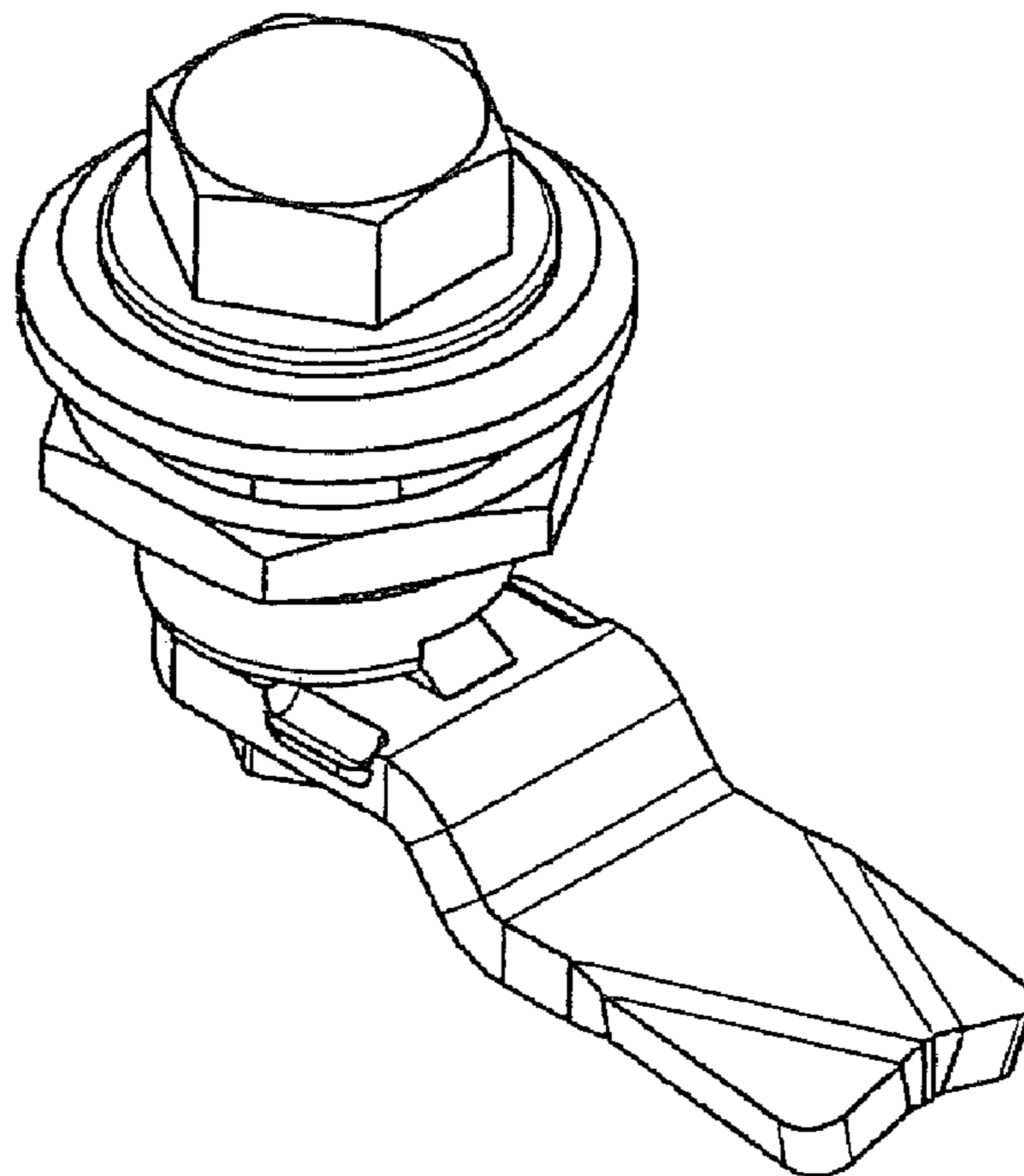
FIG. 1 is a perspective view of a sash fastener showing my new design;  
FIG. 2 is a top plan view thereof;  
FIG. 3 is a sectional view thereof, taken along line 3-3 of FIG. 4;  
FIG. 4 is a left side elevational view thereof, the right side elevational view being a mirror image thereof;  
FIG. 5 is a front elevational view thereof;  
FIG. 6 is a bottom plan view thereof;  
FIG. 7 is a perspective view of a bolt element thereof, shown separately for clarity of illustration; and,  
FIG. 8 is a rear elevational view thereof.

(56) **References Cited**

**U.S. PATENT DOCUMENTS**

4,208,894 A \* 6/1980 Surko, Jr. .... 70/494  
5,249,443 A \* 10/1993 Anderson ..... 70/370

**1 Claim, 1 Drawing Sheet**



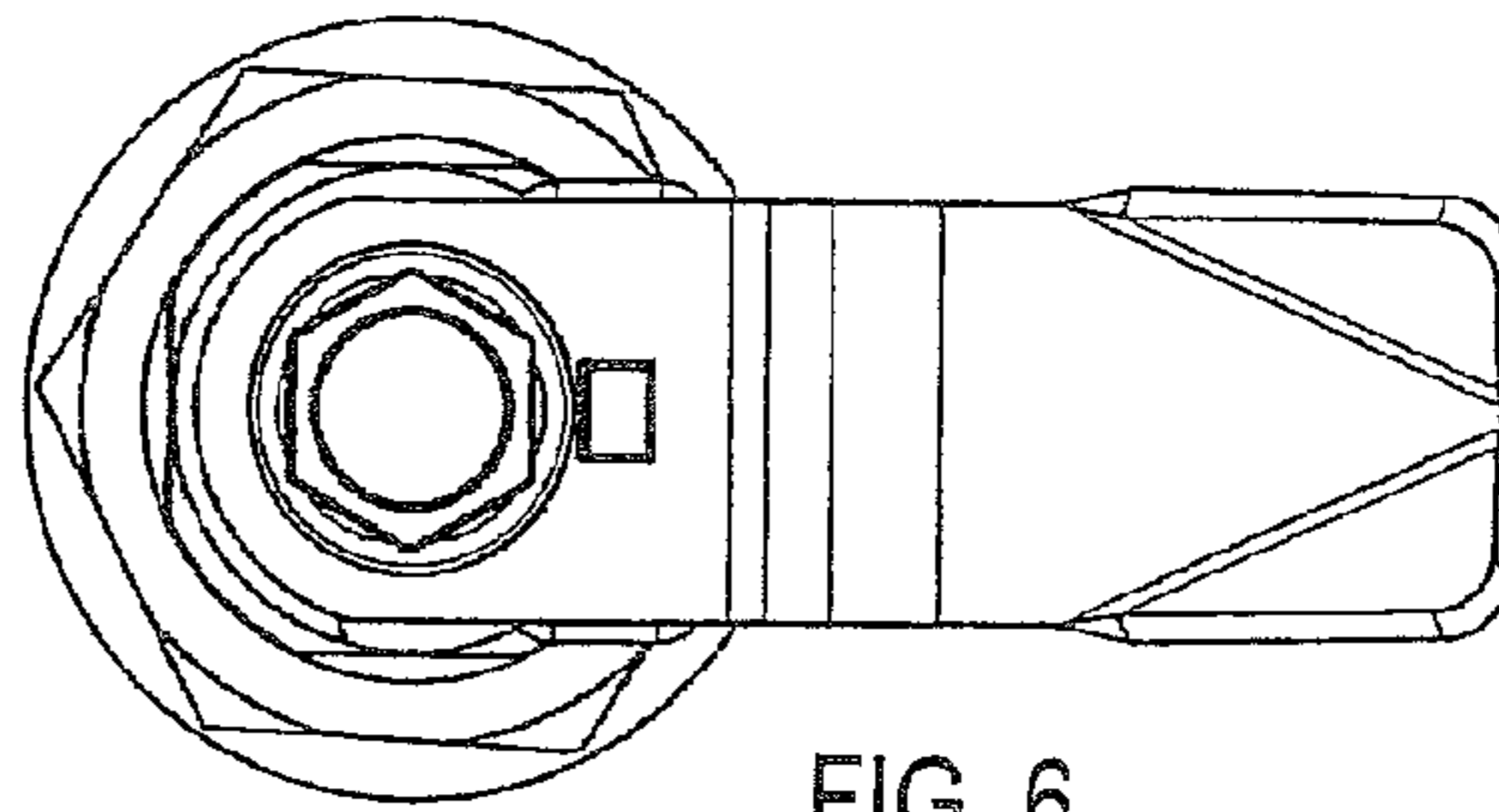


FIG. 6

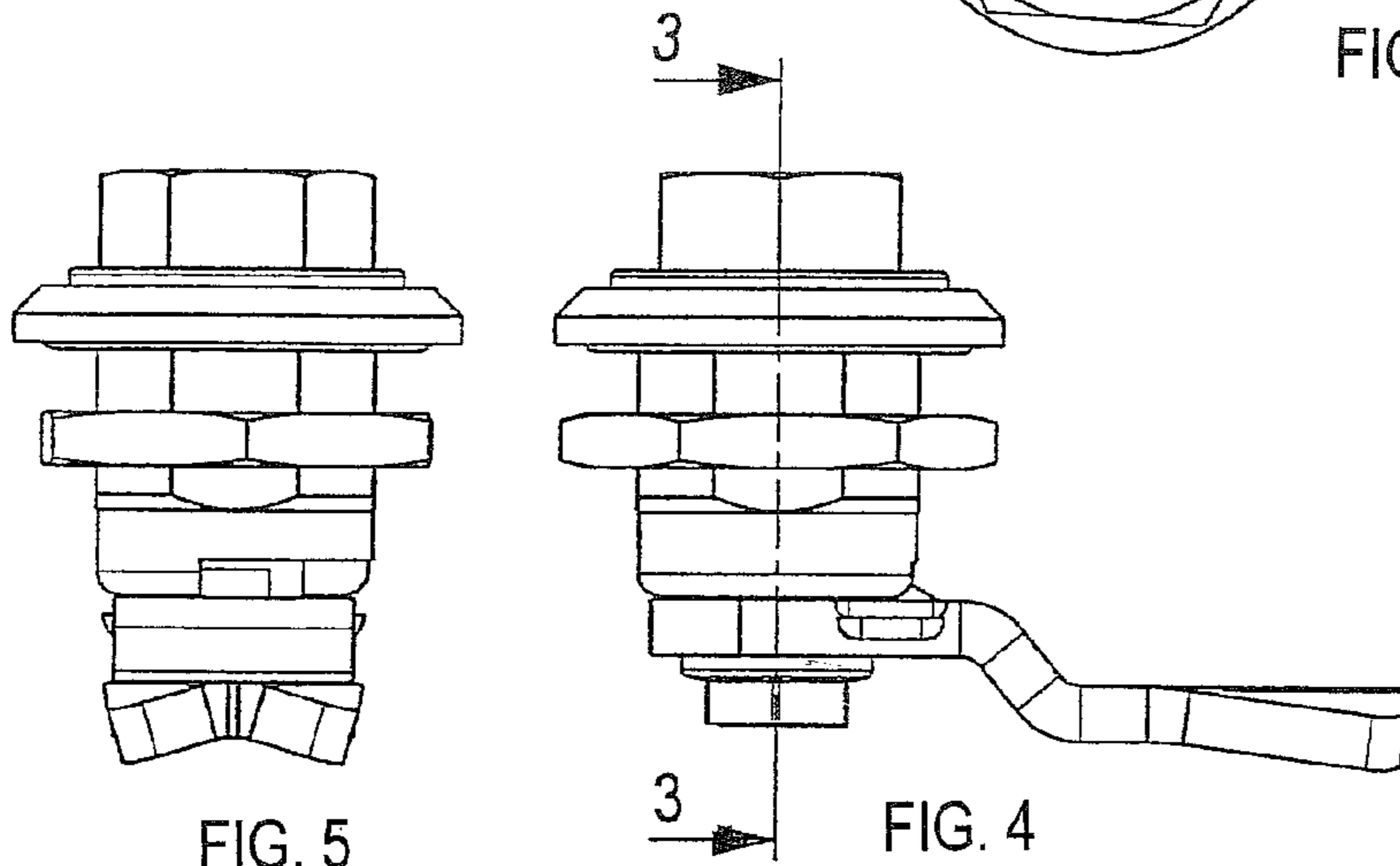


FIG. 5

FIG. 4

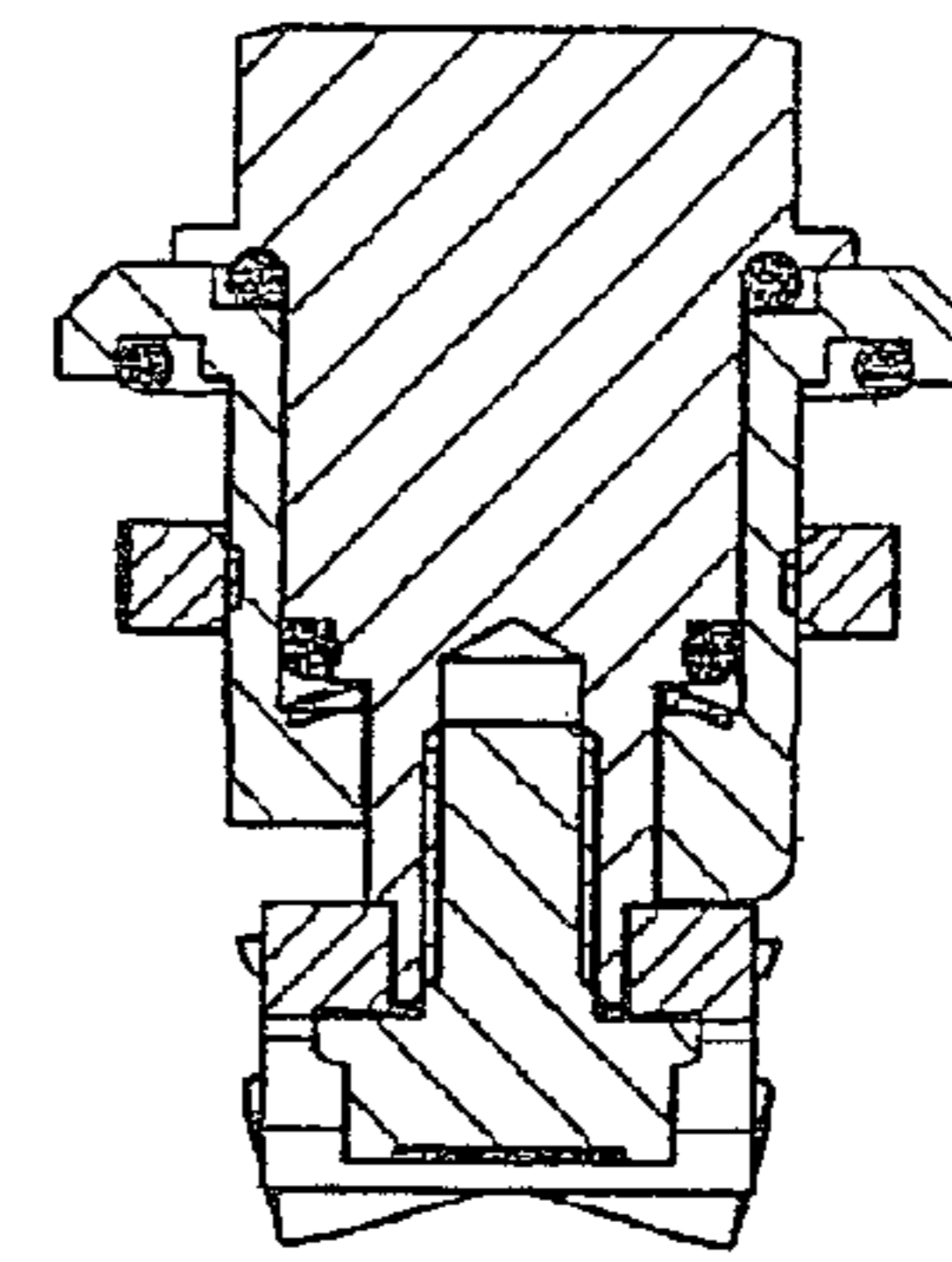


FIG. 3

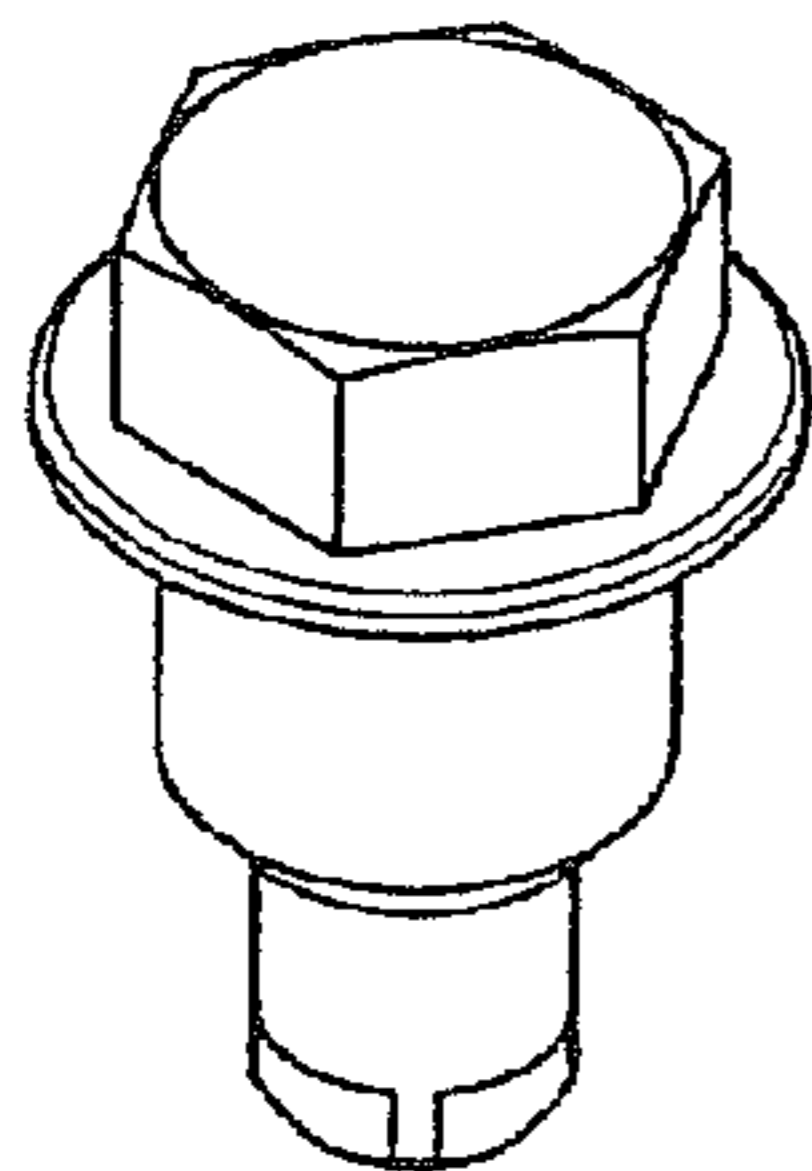


FIG. 7

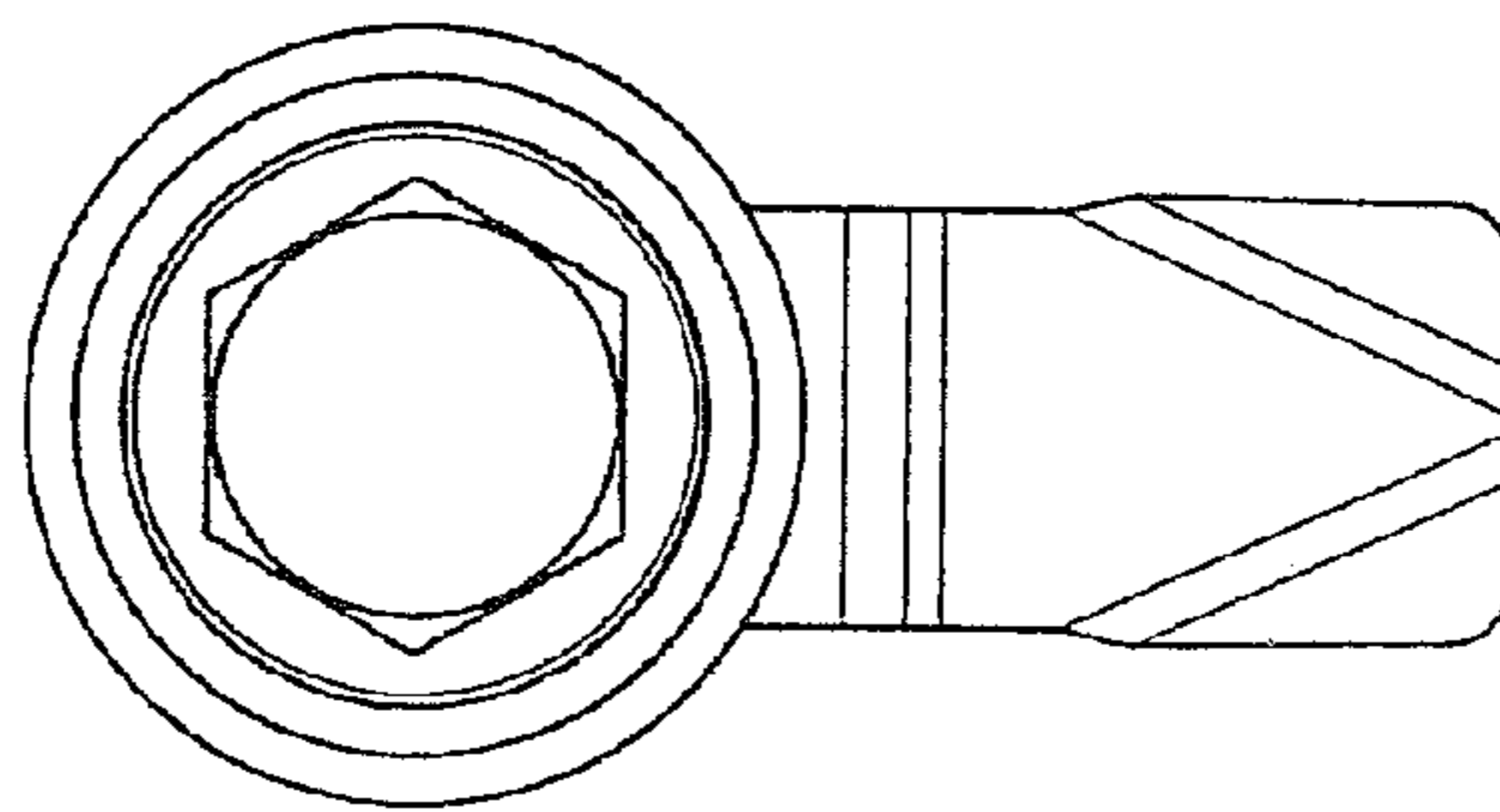


FIG. 2

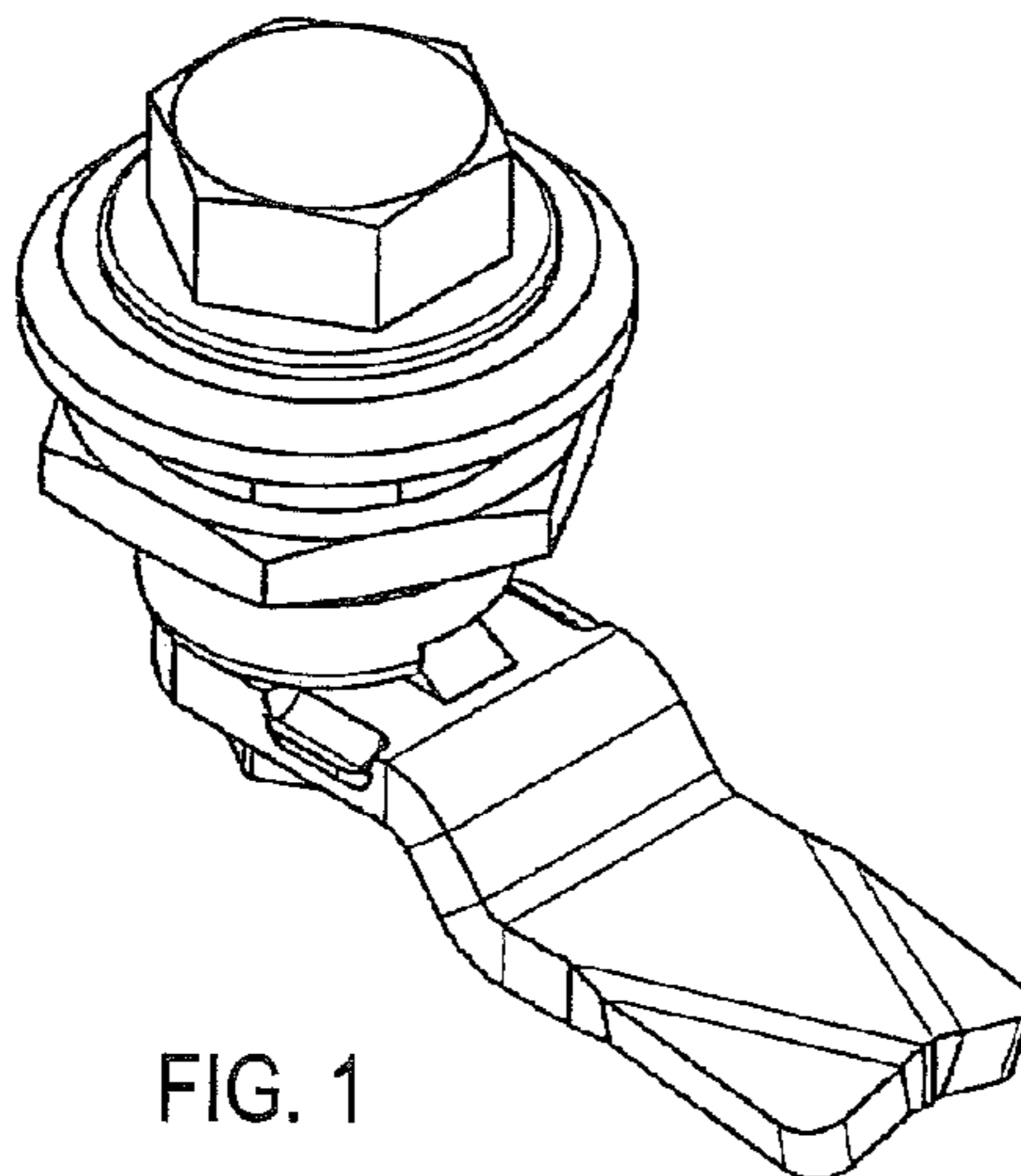


FIG. 1

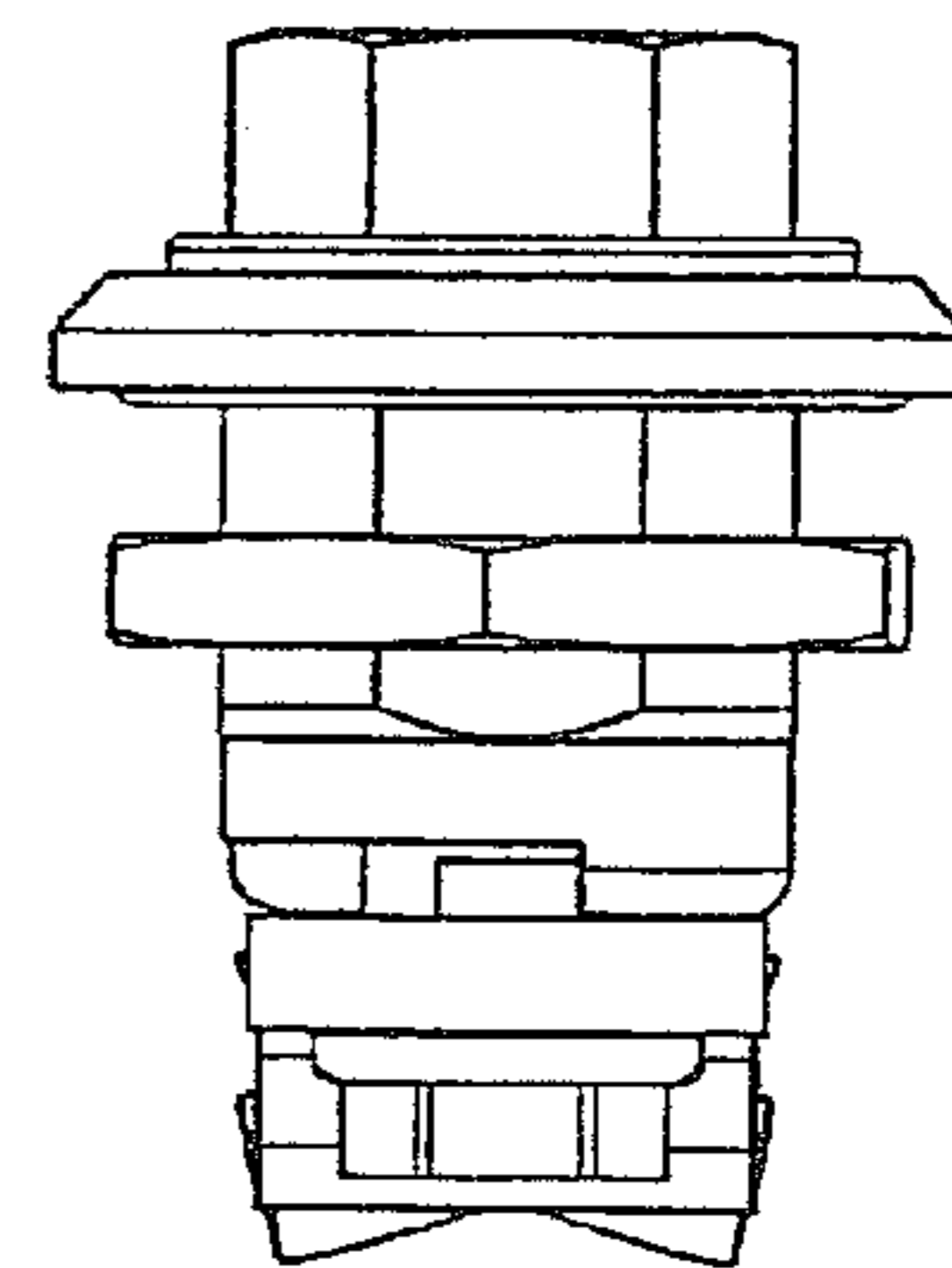


FIG. 8