



US00D679985S

(12) **United States Design Patent**
Ramsland et al.

(10) **Patent No.:** **US D679,985 S**

(45) **Date of Patent:** **** Apr. 16, 2013**

(54) **CABINET HANDLE**

(75) Inventors: **Warren Ramsland**, Hillsborough, NJ
(US); **Christine Zimmer**, Hillsborough,
NJ (US)

(73) Assignee: **Top Knobs USA, Inc.**, Hillsborough, NJ
(US)

(**) Term: **14 Years**

(21) Appl. No.: **29/416,377**

(22) Filed: **Mar. 21, 2012**

(51) **LOC (9) Cl.** **08-06**

(52) **U.S. Cl.**
USPC **D8/317**

(58) **Field of Classification Search** D8/300,
D8/DIG. 1, 315, 316, 317; D6/549; D7/393;
16/110.1, 412, 414, 417, 441; 292/336.3,
292/347

See application file for complete search history.

(56) **References Cited**

U.S. PATENT DOCUMENTS

D98,441 S *	2/1936	Martin	D8/316
D102,568 S *	12/1936	Martin	D8/316
D109,466 S *	5/1938	Aldeen	D8/317
D116,604 S *	9/1939	Hefferan	D8/319
D119,283 S *	3/1940	Reitich	D8/317
D121,560 S *	7/1940	Borchers	D8/317
D122,120 S *	8/1940	Johns	D8/318
D123,853 S *	12/1940	Borchers	D8/317
D129,927 S *	10/1941	Peat	D8/317
D130,321 S *	11/1941	Borchers	D8/316
2,329,767 A *	9/1943	Jakeway	16/419
D138,909 S *	9/1944	Stone	D8/317
D138,910 S *	9/1944	Stone	D8/317
D141,520 S *	6/1945	Stewart	D8/317
D142,943 S *	11/1945	Borchers	D8/317

D144,638 S *	5/1946	Stewart	D8/317
D150,342 S *	7/1948	Felver	D8/319
D153,796 S *	5/1949	Hefferan	D8/317
D169,414 S *	4/1953	Budai	D8/319
D192,348 S *	3/1962	Anderson	D8/319
D197,961 S *	4/1964	Heyer	D8/317
D200,953 S *	4/1965	Menezes	D8/317
D312,380 S *	11/1990	Kim	D8/316
D326,990 S *	6/1992	Bishop	D8/315
D343,107 S *	1/1994	Fulton	D8/315
D368,644 S *	4/1996	Bishop	D8/317
D368,843 S *	4/1996	Chieda	D8/317
D374,390 S *	10/1996	De'Armond	D8/320
D381,252 S *	7/1997	Chieda	D8/317
D399,406 S *	10/1998	Decursu et al.	D8/317
D403,230 S *	12/1998	Ziemer et al.	D8/317
D530,590 S *	10/2006	Singtoroj et al.	D8/302
D551,056 S *	9/2007	Ricereto	D8/317
D571,184 S *	6/2008	Ricereto	D8/316
D574,217 S *	8/2008	Jou	D8/317
D598,269 S *	8/2009	Hanes	D8/317

* cited by examiner

Primary Examiner — Paula Greene

(74) *Attorney, Agent, or Firm* — Schultz & Associates, P.C.

(57) **CLAIM**

The ornamental design for a cabinet handle, as shown and described.

DESCRIPTION

FIG. 1 is a perspective view of a cabinet handle showing my new design;

FIG. 2 is a side elevation view thereof;

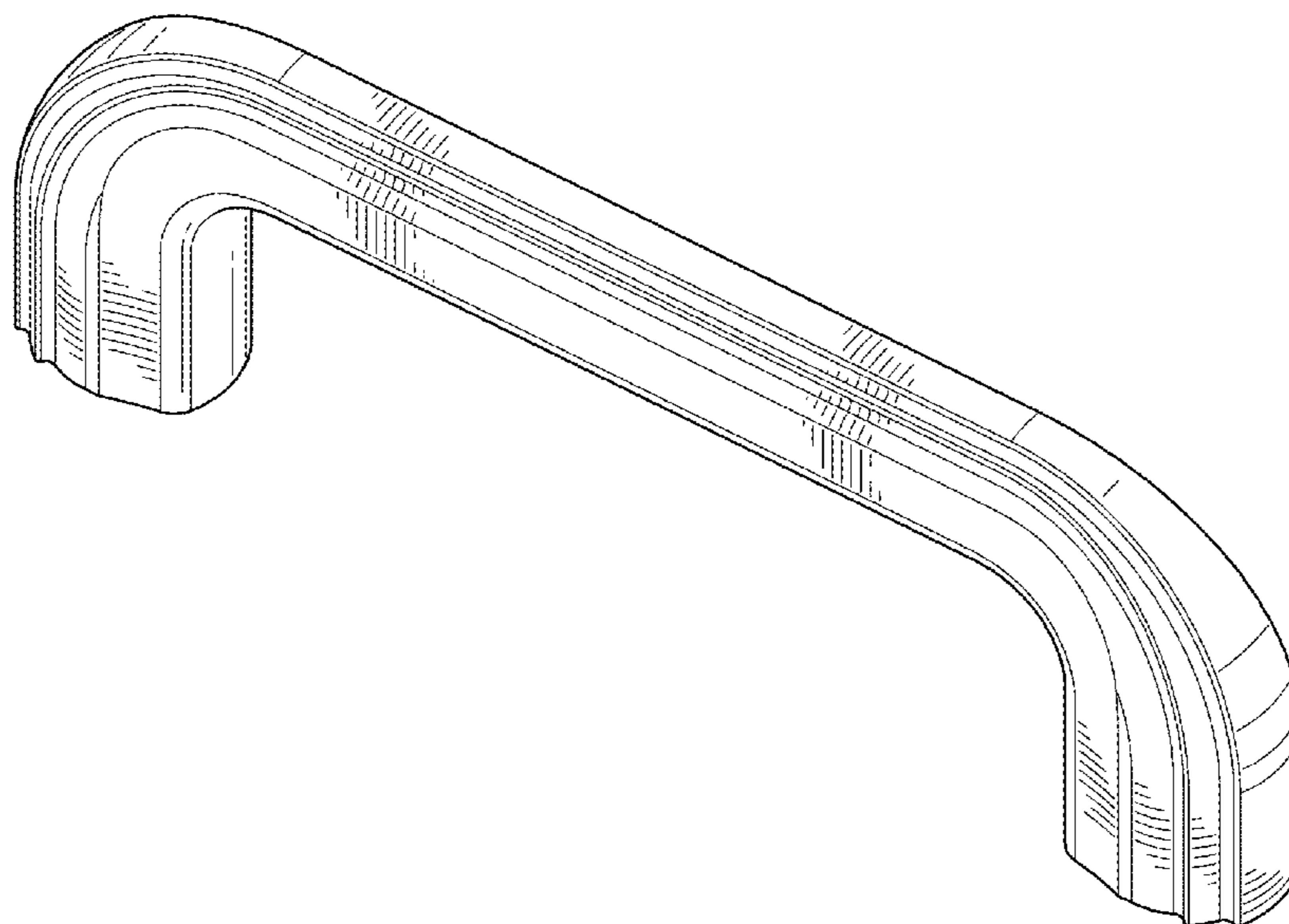
FIG. 3 is a top plan view thereof;

FIG. 4 is a side elevation view thereof; and,

FIG. 5 is a bottom plan view thereof.

The broken lines shown represent unclaimed subject matter and form no part of the claimed design.

1 Claim, 2 Drawing Sheets



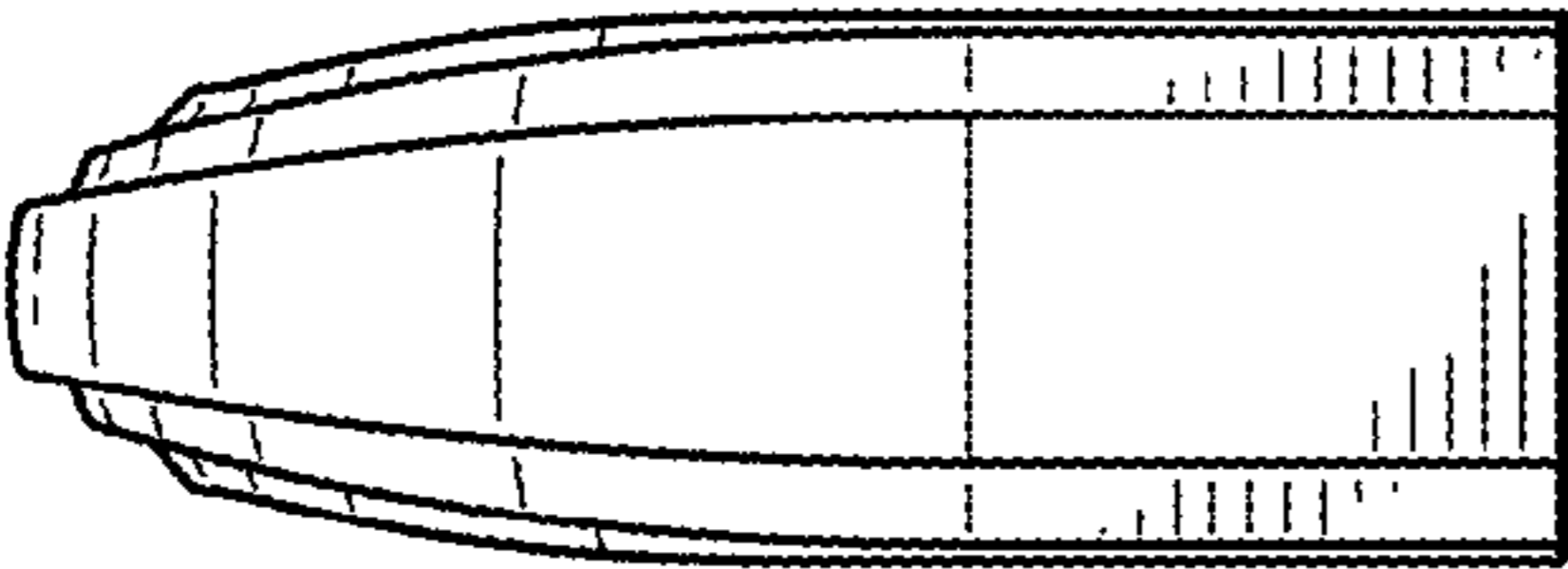


FIG. 2

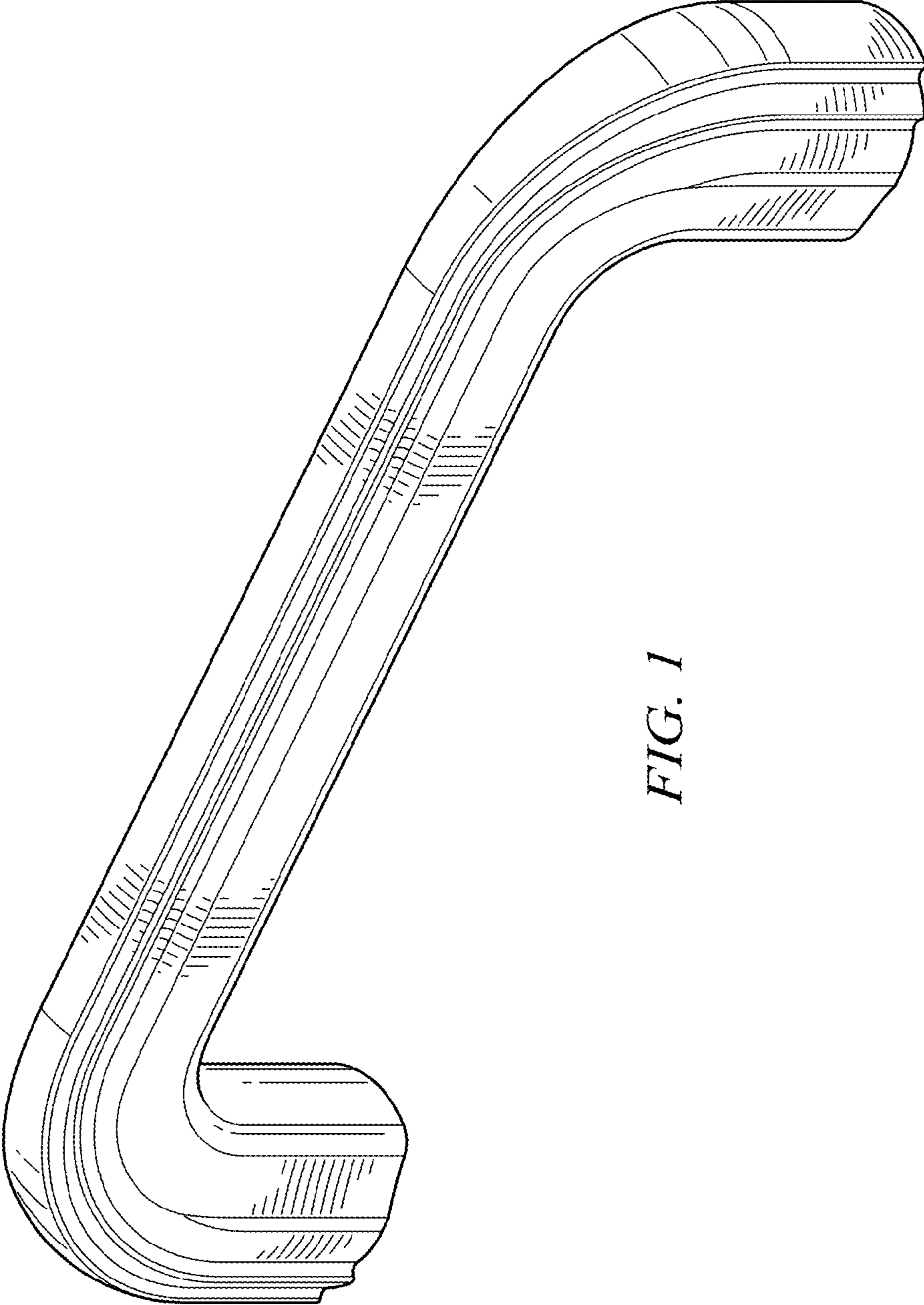


FIG. 1

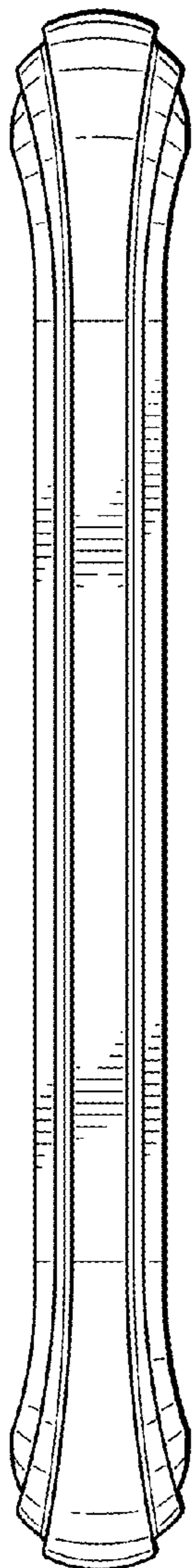


FIG. 3

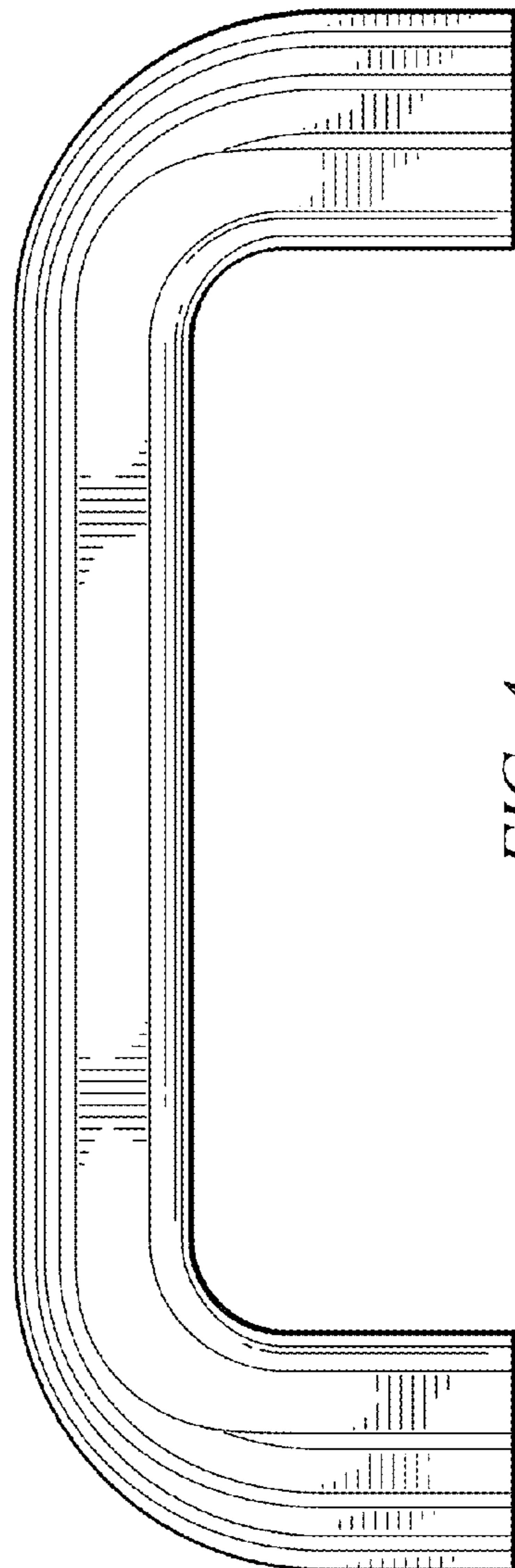


FIG. 4

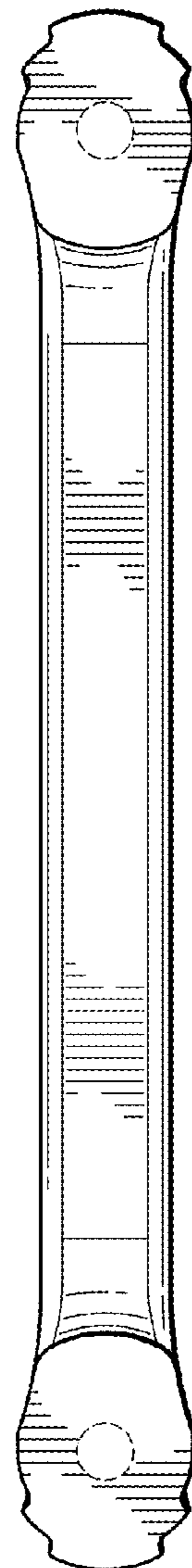


FIG. 5