



US00D679984S

(12) **United States Design Patent**
Ramsland et al.

(10) **Patent No.:** **US D679,984 S**

(45) **Date of Patent:** **** Apr. 16, 2013**

(54) **CABINET HANDLE**

(75) Inventors: **Warren Ramsland**, Hillsborough, NJ
(US); **Christine Zimmer**, Hillsborough,
NJ (US)

(73) Assignee: **Top Knobs USA, Inc.**, Hillsborough, NJ
(US)

(**) Term: **14 Years**

(21) Appl. No.: **29/416,287**

(22) Filed: **Mar. 20, 2012**

(51) **LOC (9) Cl.** **08-06**

(52) **U.S. Cl.**
USPC **D8/316**

(58) **Field of Classification Search** D8/315,
D8/316, 317-320, DIG. 1, 305; 16/110.1;
D6/549; D99/11; D23/304; 292/336.3
See application file for complete search history.

(56) **References Cited**

U.S. PATENT DOCUMENTS

D61,057 S * 6/1922 Walker D8/316
D204,128 S * 3/1966 Clayton D8/317

D206,056 S * 10/1966 Amdal D8/318
D207,633 S * 5/1967 Rhoades D8/316
D252,183 S * 6/1979 DeWindt D8/300
D542,119 S * 5/2007 Ricereto D8/317
D598,270 S * 8/2009 Hanes D8/317
D611,323 S * 3/2010 Koskela D8/316
D639,134 S * 6/2011 Owens D8/316

* cited by examiner

Primary Examiner — Paula Greene

(74) *Attorney, Agent, or Firm* — Schultz & Associates, P.C.

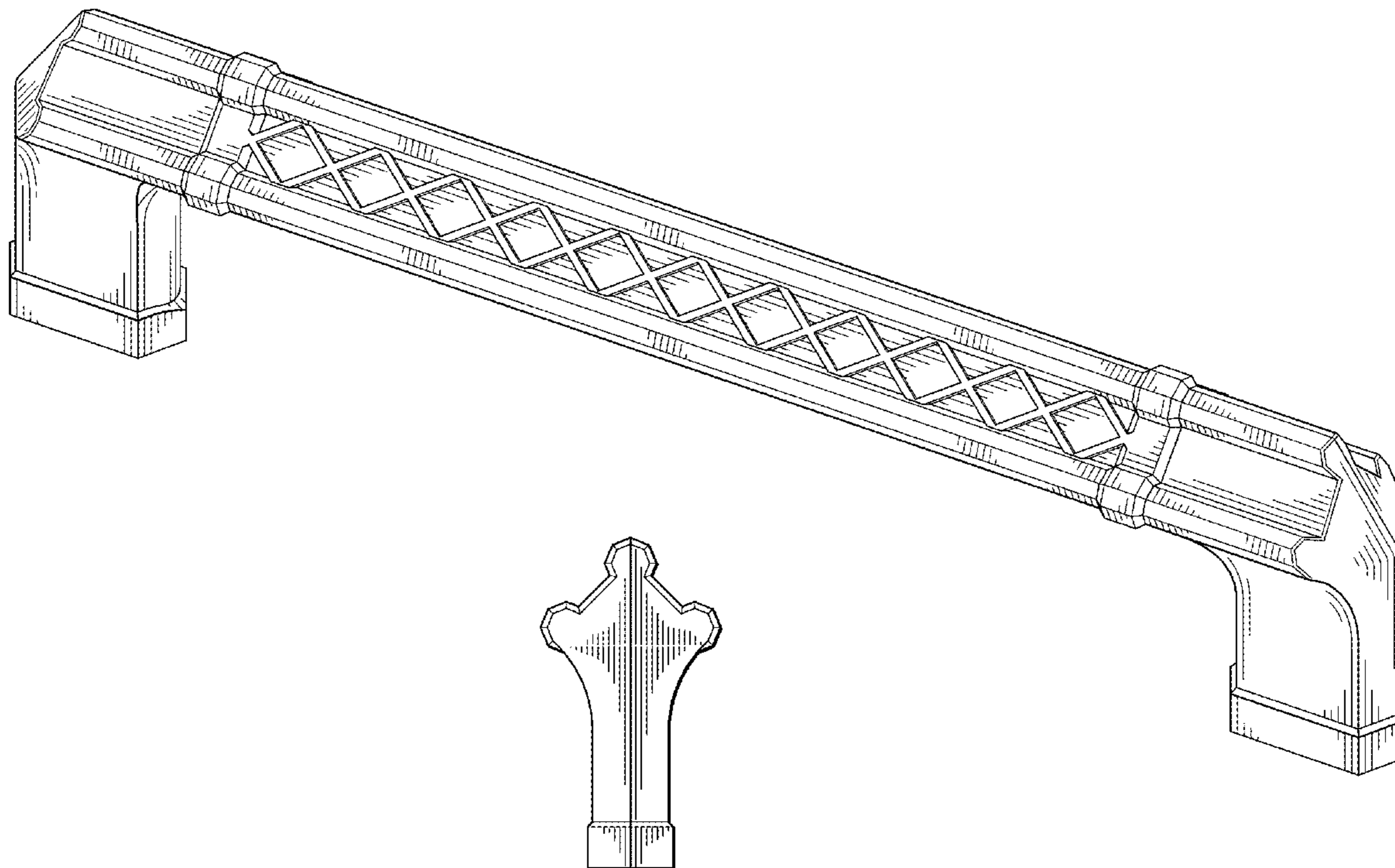
(57) **CLAIM**

The ornamental design for a cabinet handle, as shown and described.

DESCRIPTION

FIG. 1 is a perspective view of a cabinet handle showing my new design;
FIG. 2 is a side elevation view thereof;
FIG. 3 is a side elevation view thereof;
FIG. 4 is a top plan view thereof; and,
FIG. 5 is a bottom plan view thereof.
The broken lines shown represent unclaimed subject matter and form no part of the claimed design.

1 Claim, 3 Drawing Sheets



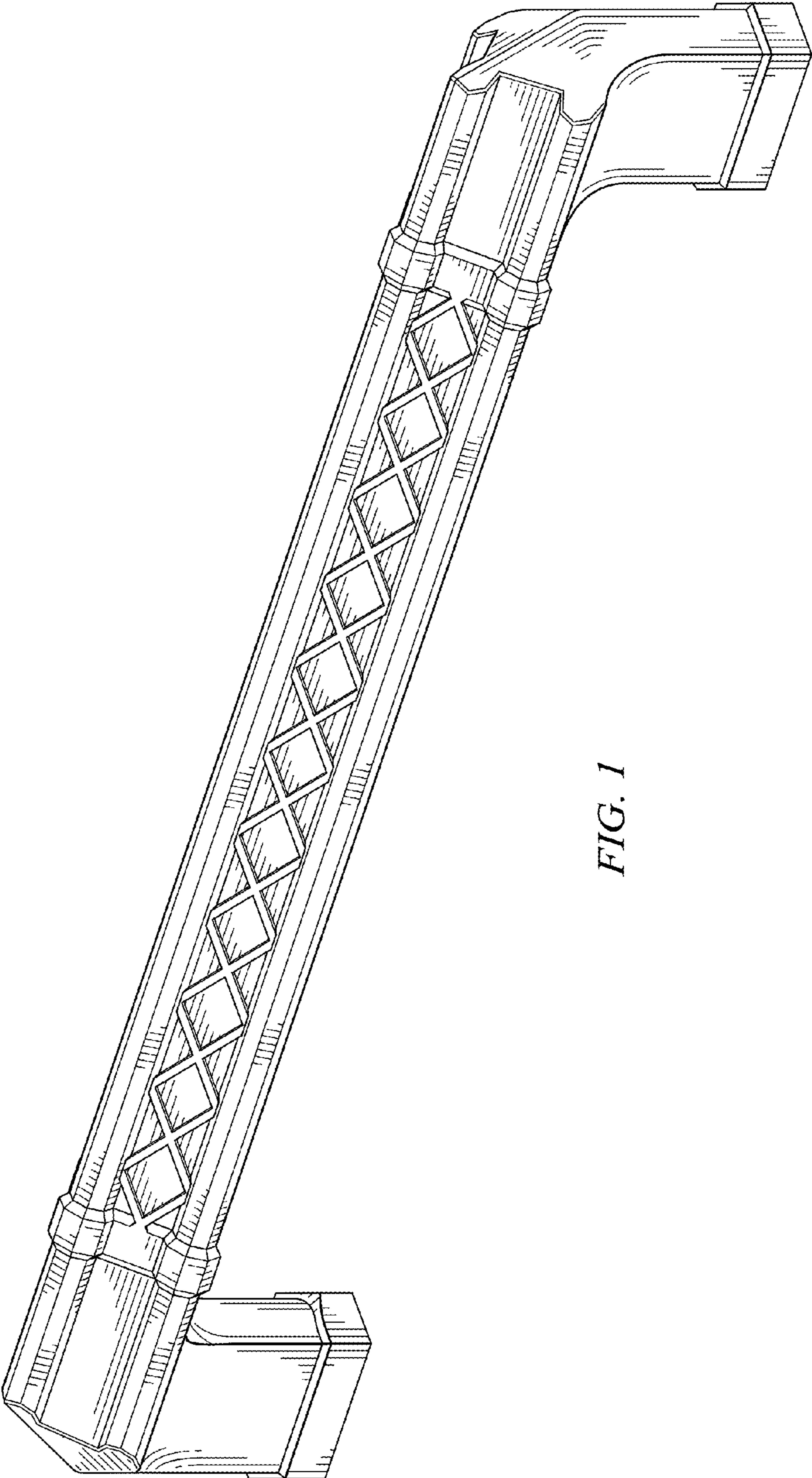


FIG. 1

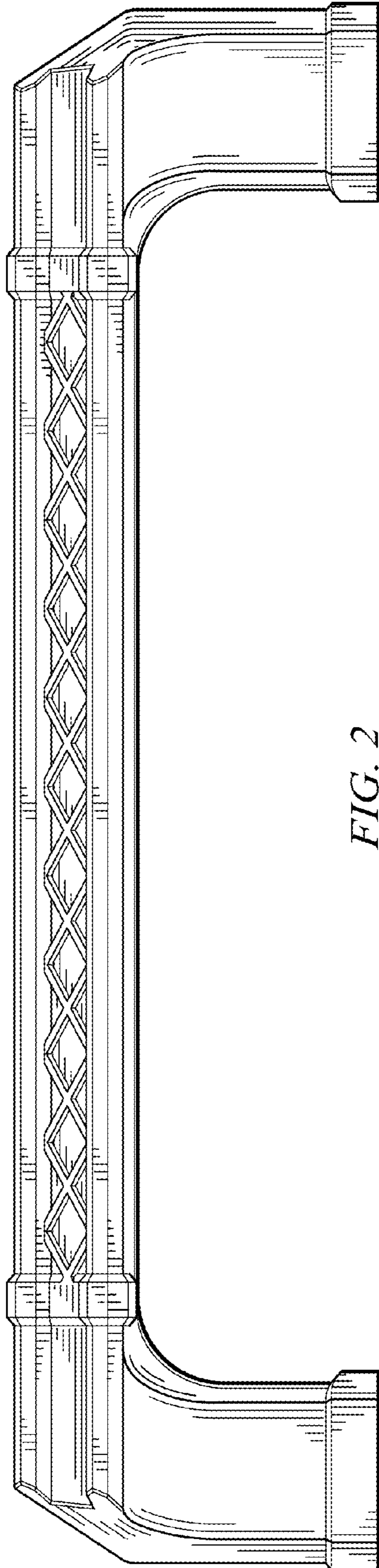


FIG. 2

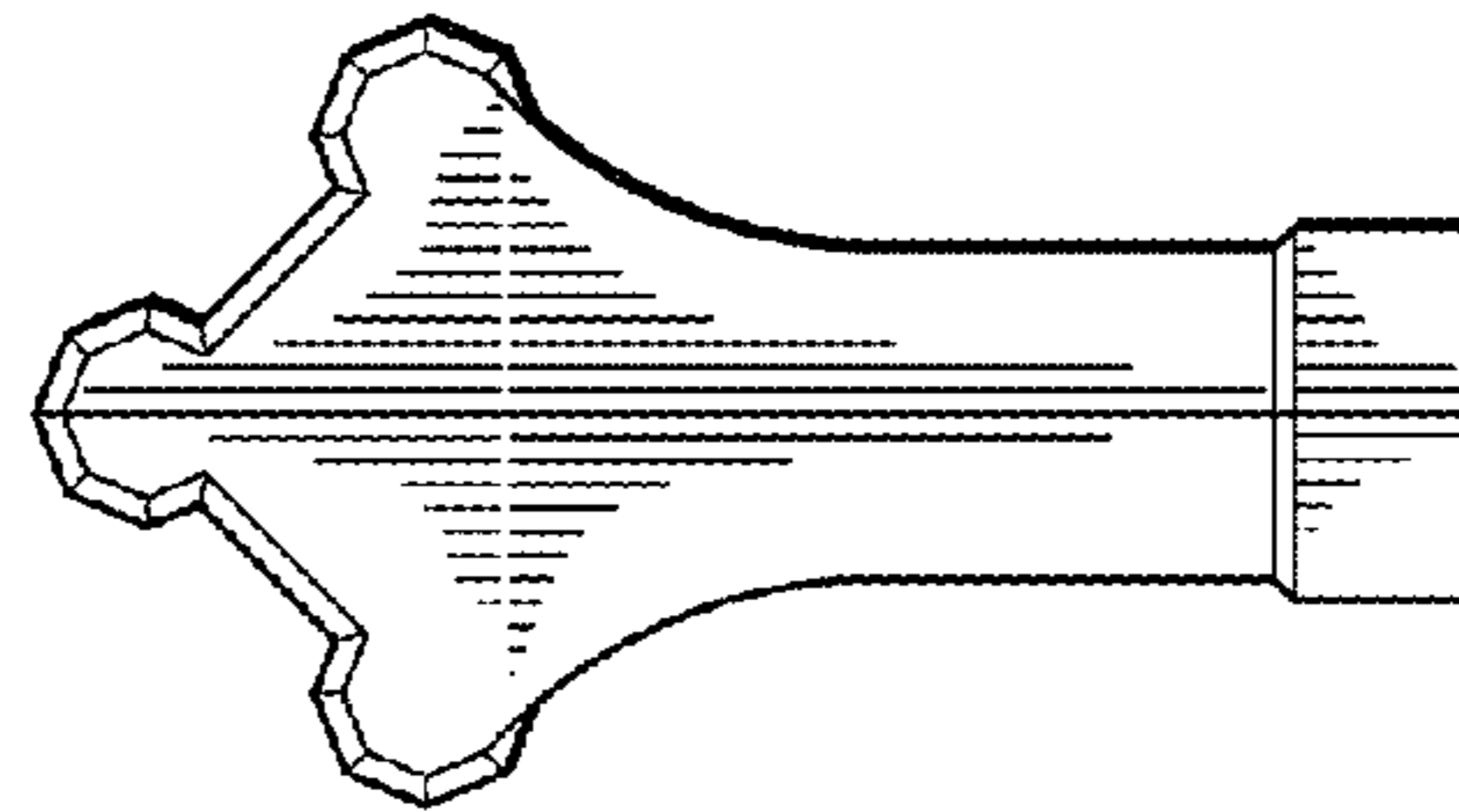


FIG. 3

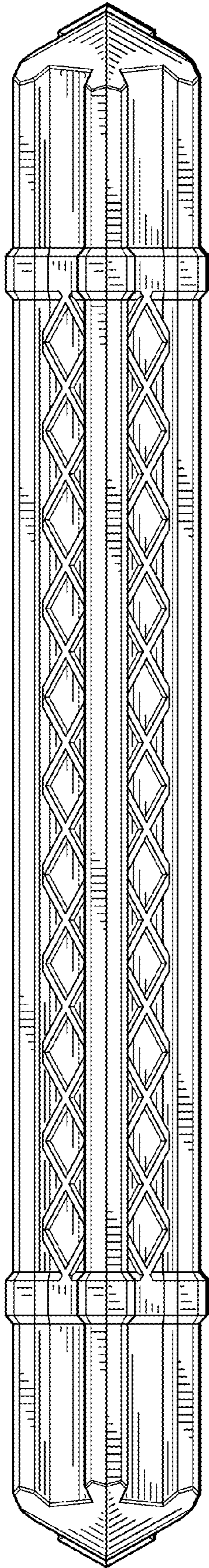


FIG. 4

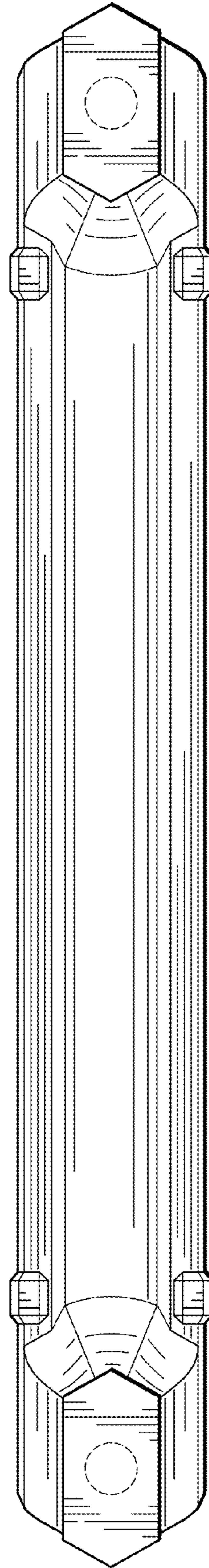


FIG. 5