



US00D679983S

(12) **United States Design Patent**
Ramsland et al.

(10) **Patent No.:** **US D679,983 S**

(45) **Date of Patent:** **** Apr. 16, 2013**

(54) **CABINET HANDLE**

(75) Inventors: **Warren Ramsland**, Hillsborough, NJ
(US); **Christine Zimmer**, Hillsborough,
NJ (US)

(73) Assignee: **Top Knobs USA, Inc.**, Hillsborough, NJ
(US)

(**) Term: **14 Years**

(21) Appl. No.: **29/416,285**

(22) Filed: **Mar. 20, 2012**

(51) **LOC (9) Cl.** **08-06**

(52) **U.S. Cl.**
USPC **D8/316**

(58) **Field of Classification Search** D8/315,
D8/316, 317-320, 305, DIG. 1; D23/304;
D99/11; D6/549; 16/110.1; 292/336.3
See application file for complete search history.

(56) **References Cited**

U.S. PATENT DOCUMENTS

D150,343 S *	7/1948	Felver	D8/319
D153,796 S *	5/1949	Hefferan	D8/317
D194,968 S *	4/1963	Stelma	D8/317
D199,615 S *	11/1964	Aleks	D8/317
D205,349 S *	7/1966	Clayton	D8/316
D257,476 S *	11/1980	Sirois	D8/316

D451,782 S *	12/2001	Dewald	D8/317
D478,759 S *	8/2003	Hoernig	D6/549
D530,590 S *	10/2006	Singtoroj et al.	D8/302
D543,436 S *	5/2007	Ricereto	D8/316
D551,056 S *	9/2007	Ricereto	D8/317
D563,761 S *	3/2008	Ricereto	D8/316
D569,704 S *	5/2008	Ricereto	D8/315
D570,185 S *	6/2008	Hanes	D8/315
D570,646 S *	6/2008	Jeon	D7/402
D580,202 S *	11/2008	Dolan	D6/549
D635,005 S *	3/2011	McConnell	D8/316

* cited by examiner

Primary Examiner — Paula Greene

(74) *Attorney, Agent, or Firm* — Schultz & Associates, P.C.

(57) **CLAIM**

The ornamental design for a cabinet handle, as shown and described.

DESCRIPTION

FIG. 1 is a perspective view of a cabinet handle showing my new design;

FIG. 2 is a side elevation view thereof;

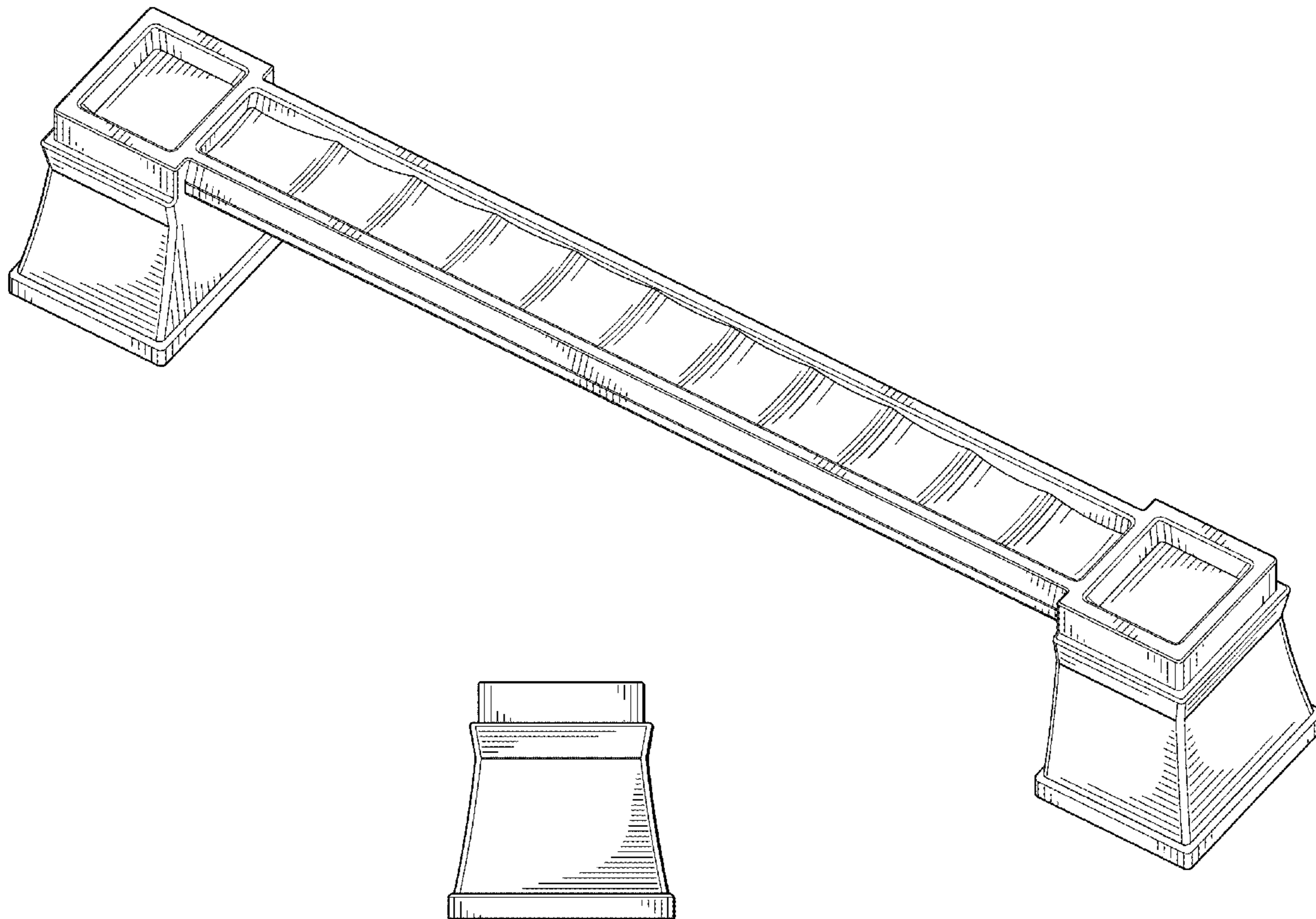
FIG. 3 is a side elevation view thereof;

FIG. 4 is a top plan view thereof; and,

FIG. 5 is a bottom plan view thereof.

The broken lines shown represent unclaimed subject matter and form no part of the claimed design.

1 Claim, 3 Drawing Sheets



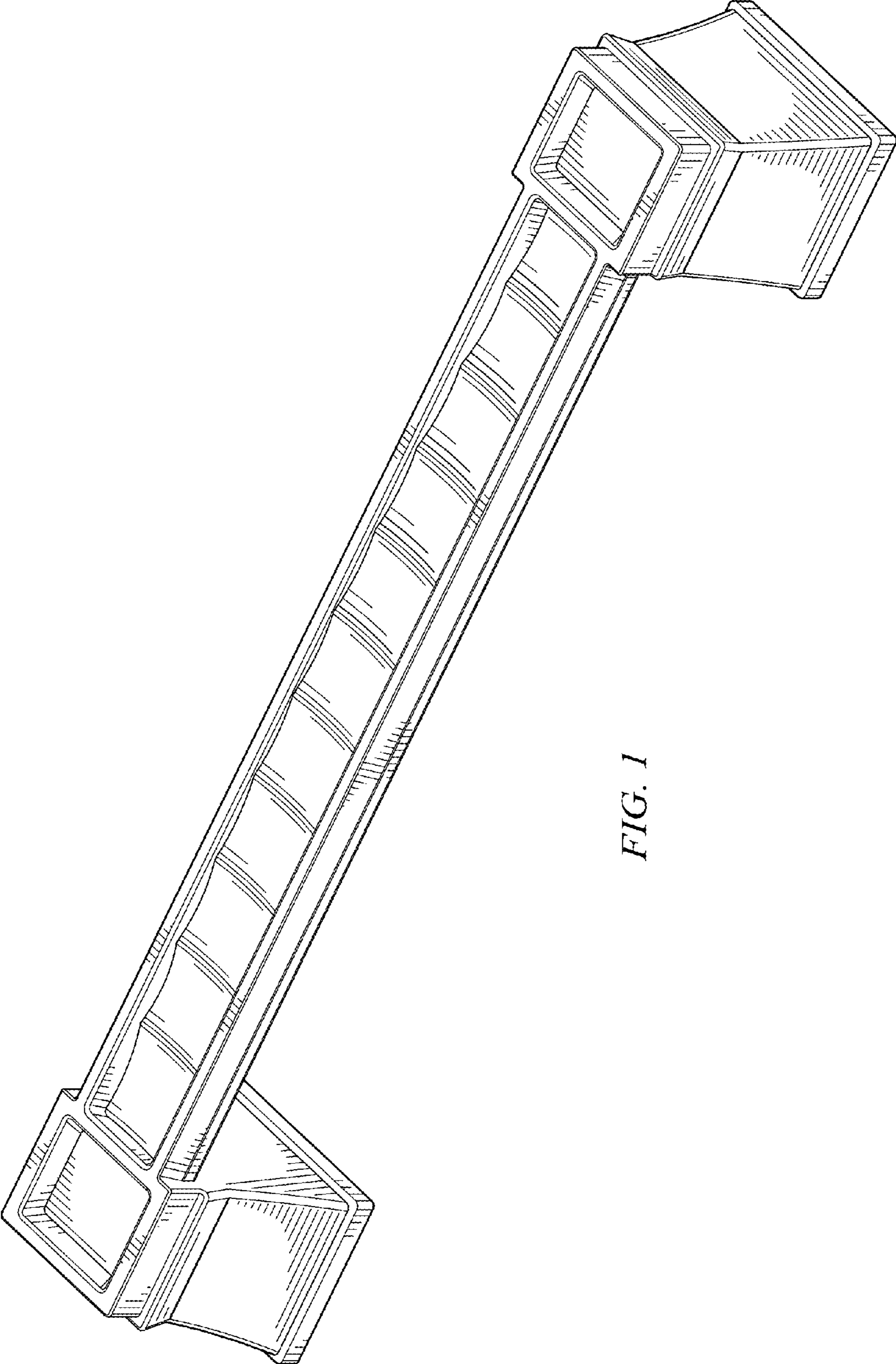


FIG. 1

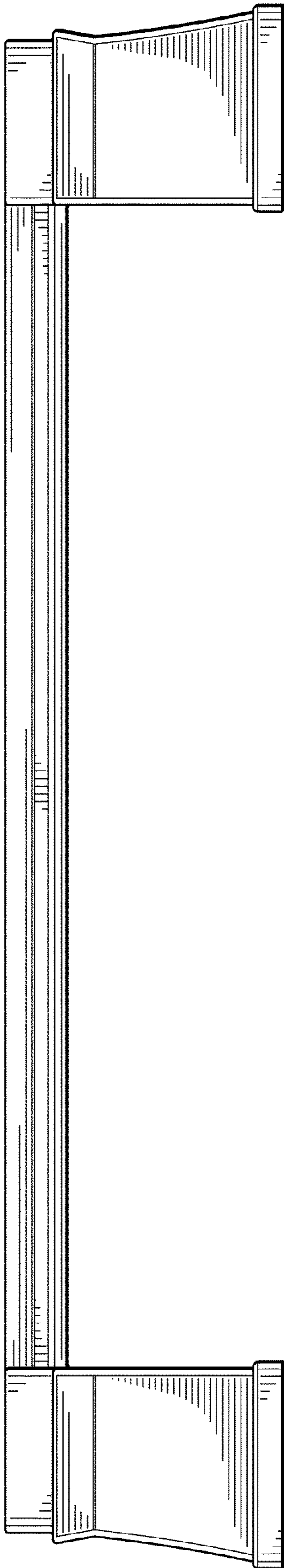


FIG. 2

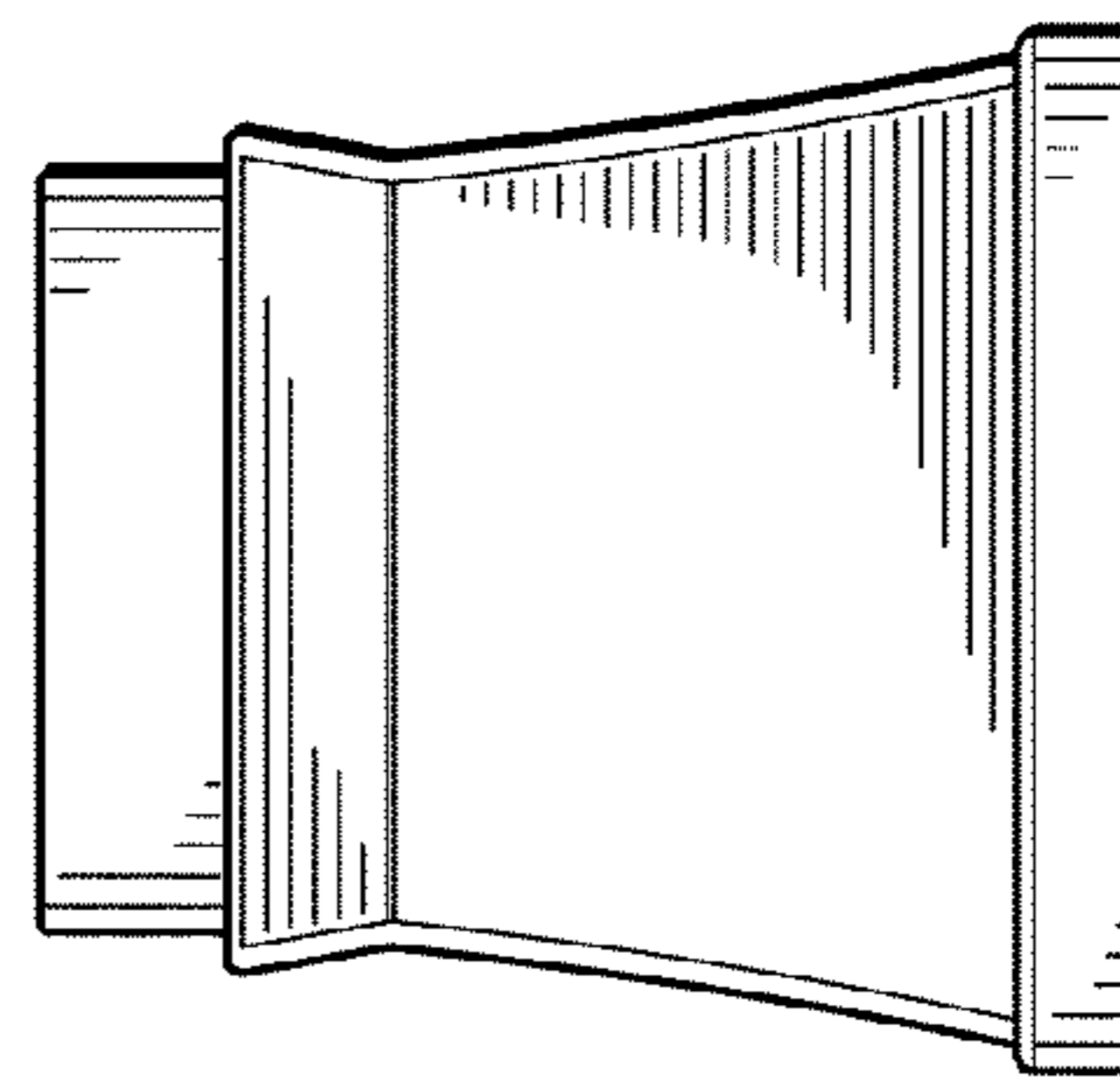


FIG. 3

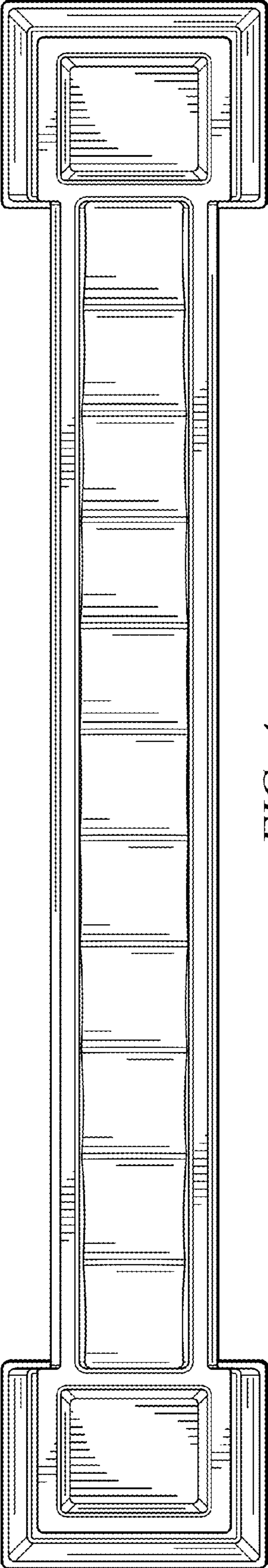


FIG. 4

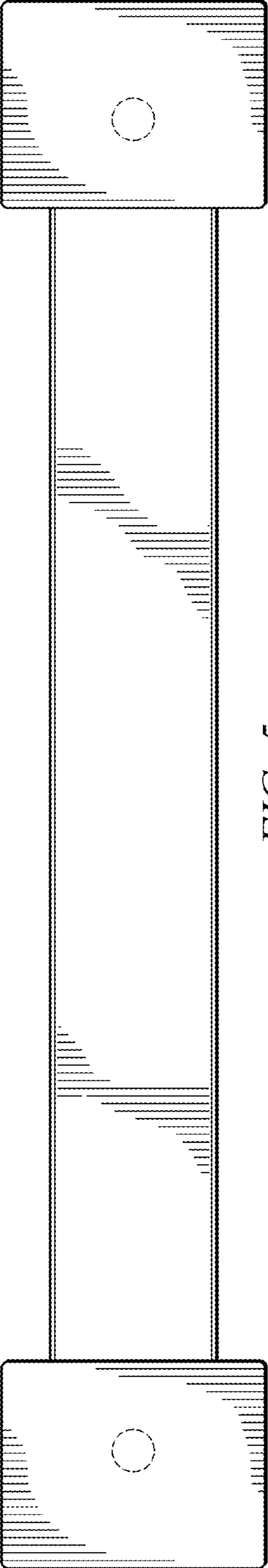


FIG. 5