



US00D679982S

(12) **United States Design Patent**  
**Ramsland et al.**

(10) **Patent No.:** **US D679,982 S**

(45) **Date of Patent:** **\*\* \*Apr. 16, 2013**

(54) **CABINET KNOB**

(75) Inventors: **Warren Ramsland**, Hillsborough, NJ  
(US); **Scott Thor**, Grand Rapids, MI  
(US)

(73) Assignee: **Top Knobs USA, Inc.**, Hillsborough, NJ  
(US)

(\*) Notice: This patent is subject to a terminal disclaimer.

(\*\*) Term: **14 Years**

(21) Appl. No.: **29/417,228**

(22) Filed: **Mar. 30, 2012**

(51) **LOC (9) Cl.** ..... **08-06**

(52) **U.S. Cl.**  
USPC ..... **D8/312; D8/307**

(58) **Field of Classification Search** ..... D8/300–302,  
D8/305, 310, 312–321, DIG. 1; D6/633;  
D7/393; D3/291, 318; D23/250–254; 292/347,  
292/336.3; 16/101.1, 412, 414–420, 443–446,  
16/441, 110 R, 111 R, DIG. 19, DIG. 20  
See application file for complete search history.

(56) **References Cited**

**U.S. PATENT DOCUMENTS**

D327,732 S *	7/1992	Yost	.....	D23/250
D328,335 S *	7/1992	Yost	.....	D23/250
D368,638 S *	4/1996	Sonnenleiter	.....	D8/310
D372,185 S *	7/1996	Doughty et al.	.....	D8/310
D373,066 S *	8/1996	De'Armond	.....	D8/310
D401,834 S *	12/1998	Burns et al.	.....	D8/310

D474,393 S *	5/2003	Fields	.....	D8/310
D474,672 S *	5/2003	Fields	.....	D8/310
D560,110 S *	1/2008	Ricereto	.....	D8/310
D563,194 S *	3/2008	Ricereto	.....	D8/310
D564,332 S *	3/2008	McConnell	.....	D8/310
D569,220 S *	5/2008	McConnell	.....	D8/310
D579,303 S *	10/2008	Schneider	.....	D8/307
D580,735 S *	11/2008	Matijevic	.....	D8/310
D580,736 S *	11/2008	Matijevic	.....	D8/310
D580,737 S *	11/2008	Singtoroj	.....	D8/312
D584,127 S *	1/2009	Matijevic	.....	D8/312
D592,484 S *	5/2009	Ricereto	.....	D8/310
D602,329 S *	10/2009	Hanes	.....	D8/305
D602,330 S *	10/2009	Hanes	.....	D8/307
D602,332 S *	10/2009	Hanes	.....	D8/307
D604,586 S *	11/2009	Rauk et al.	.....	D8/312
D621,238 S *	8/2010	Rauk et al.	.....	D8/312

\* cited by examiner

*Primary Examiner* — Mark Goodwin

(74) *Attorney, Agent, or Firm* — Schultz & Associates, P.C.

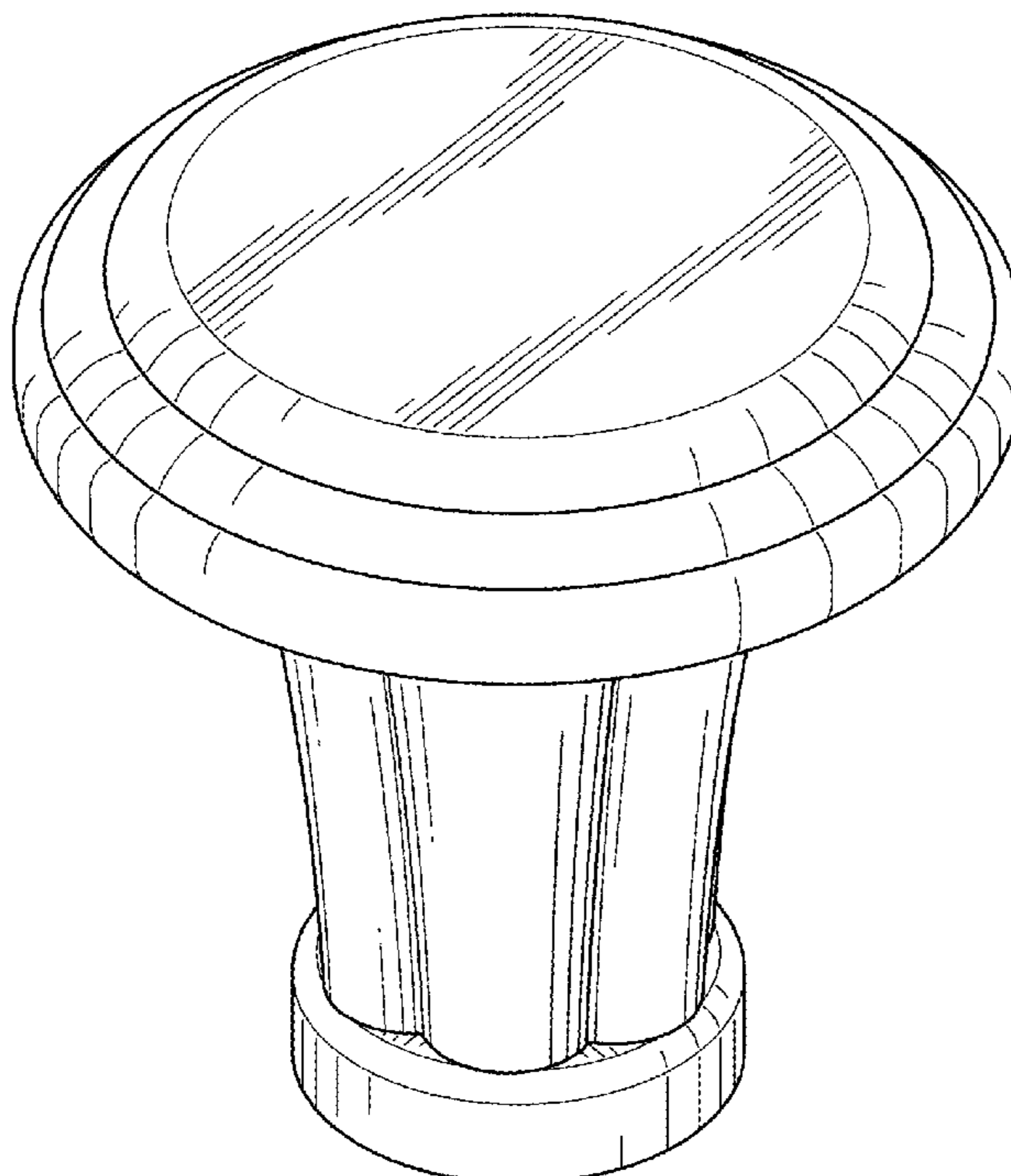
(57) **CLAIM**

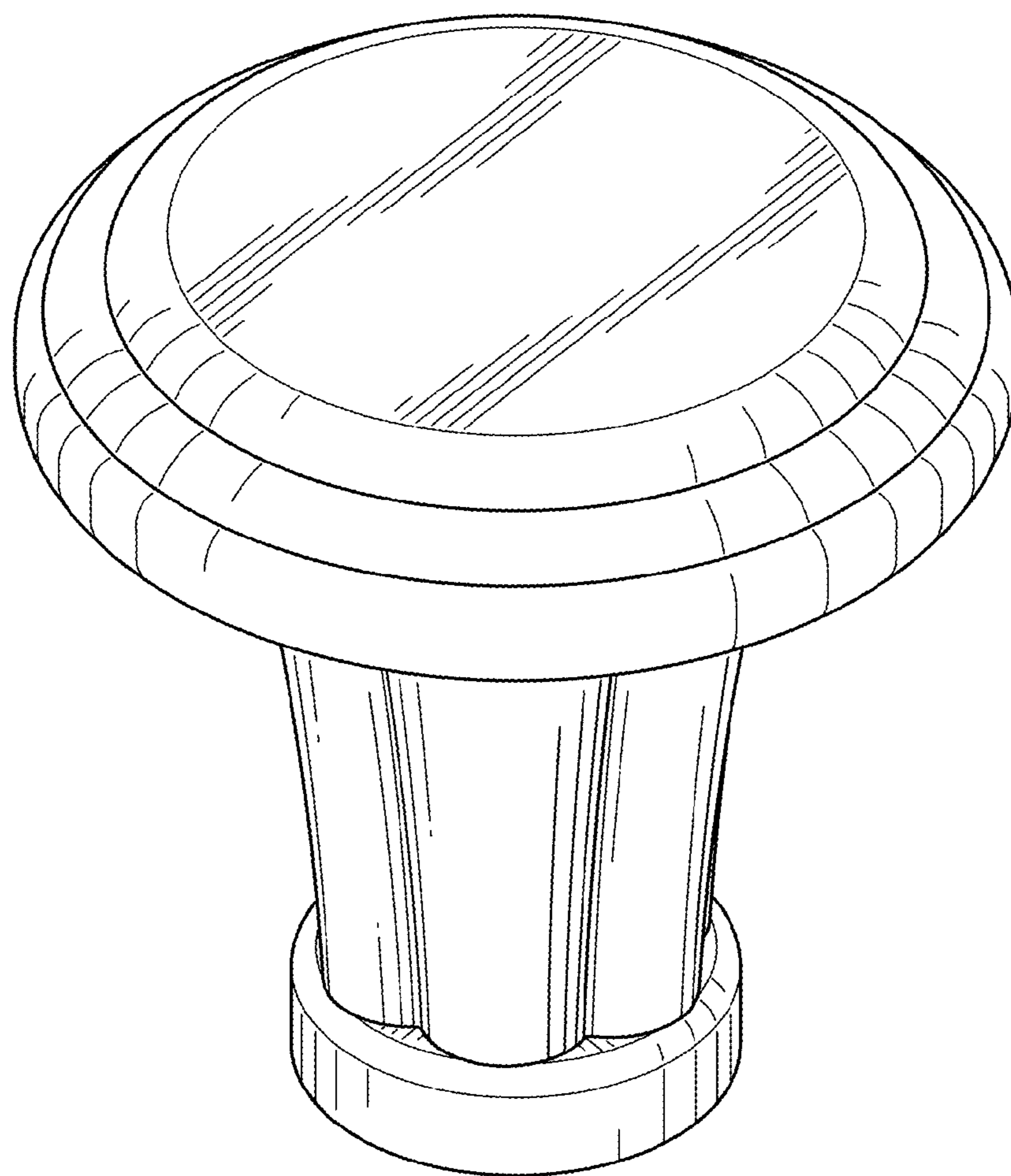
The ornamental design for a cabinet knob, as shown and described.

**DESCRIPTION**

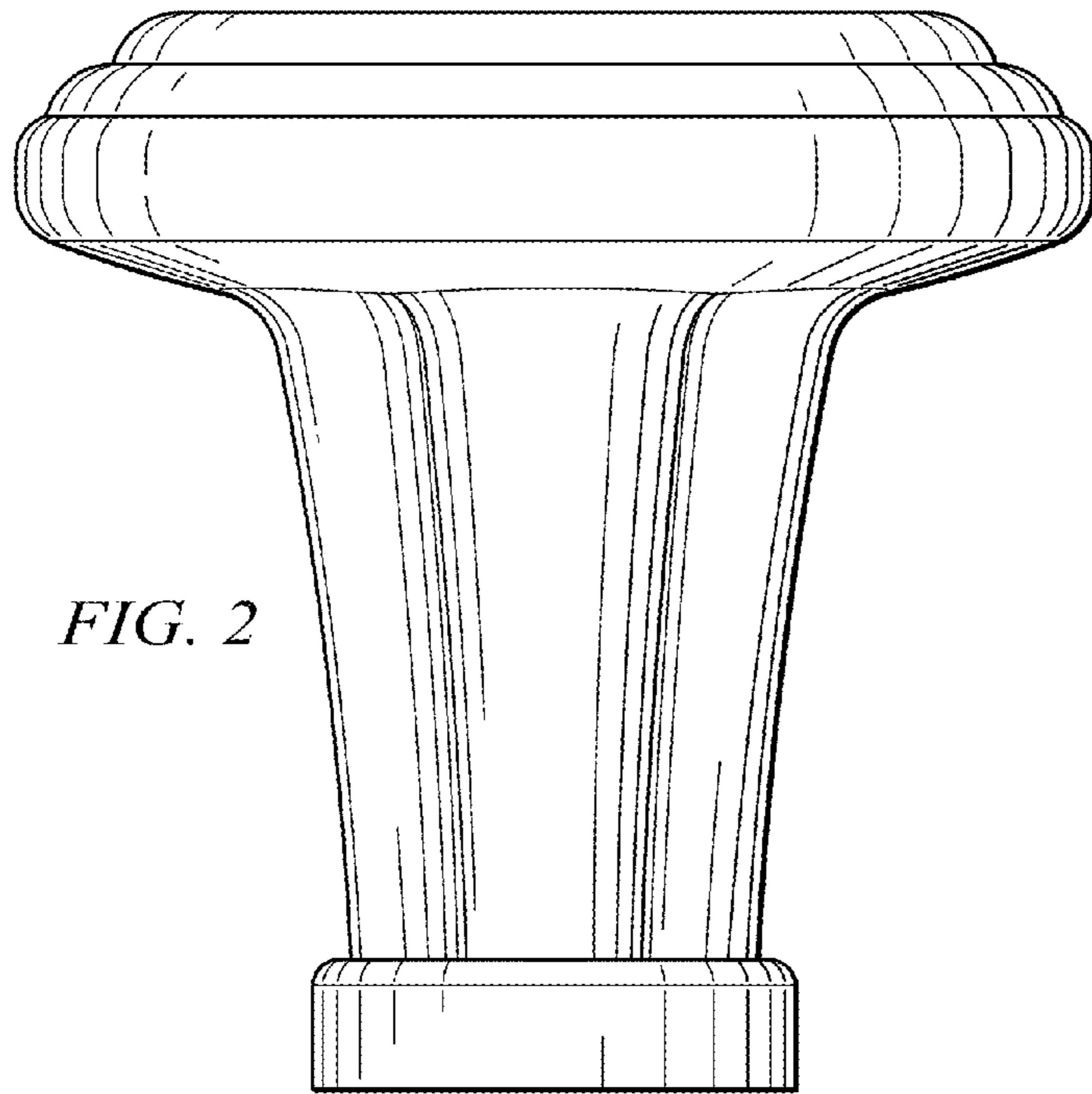
FIG. 1 is a perspective view of a cabinet handle showing our new design;  
FIG. 2 is a side elevation view thereof;  
FIG. 3 is a side elevation view thereof;  
FIG. 4 is a top plan view thereof; and,  
FIG. 5 is a bottom plan view thereof.  
The broken lines shown represent unclaimed subject matter and form no part of the claimed design.

**1 Claim, 3 Drawing Sheets**

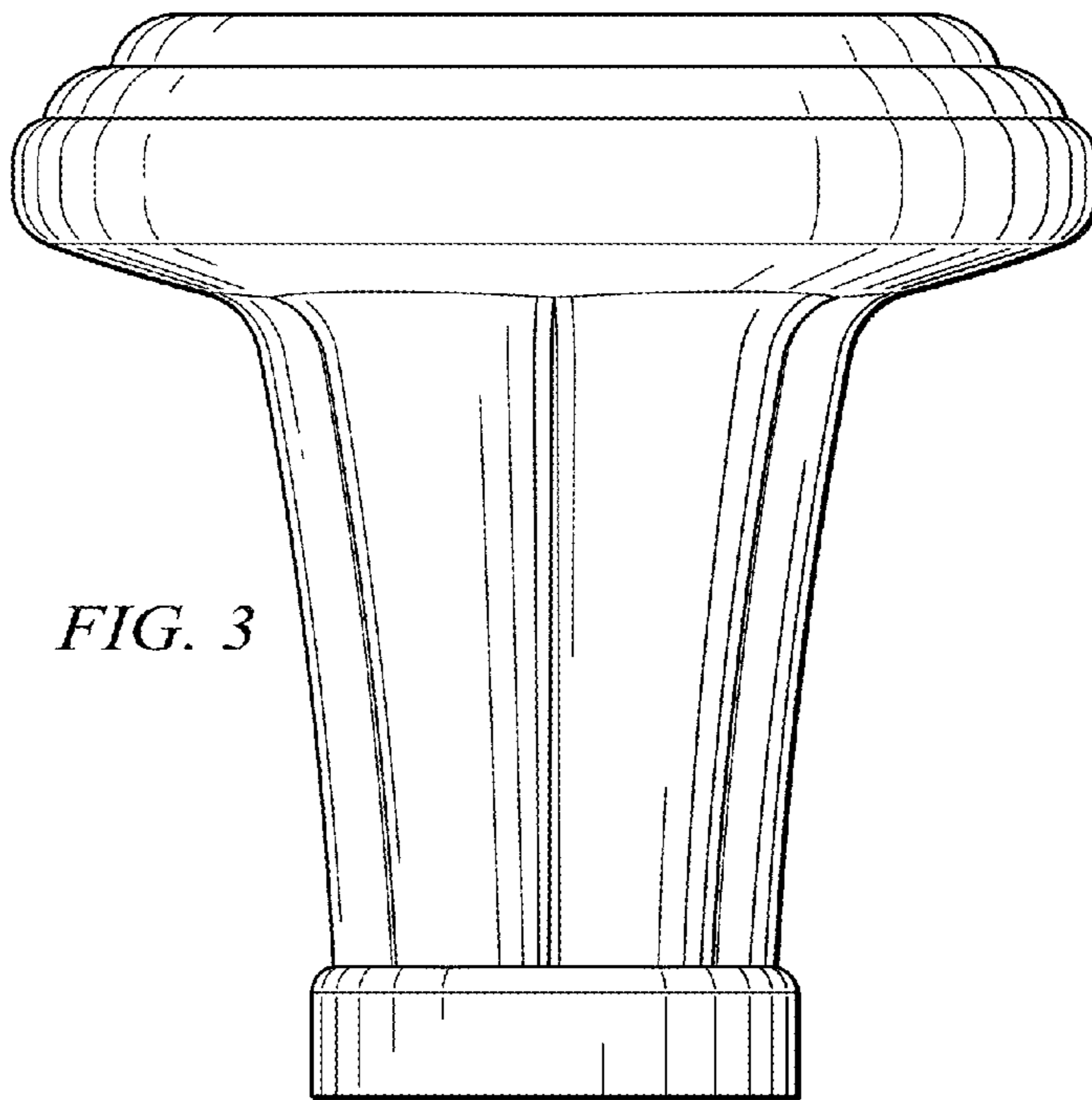




*FIG. 1*



*FIG. 2*



*FIG. 3*

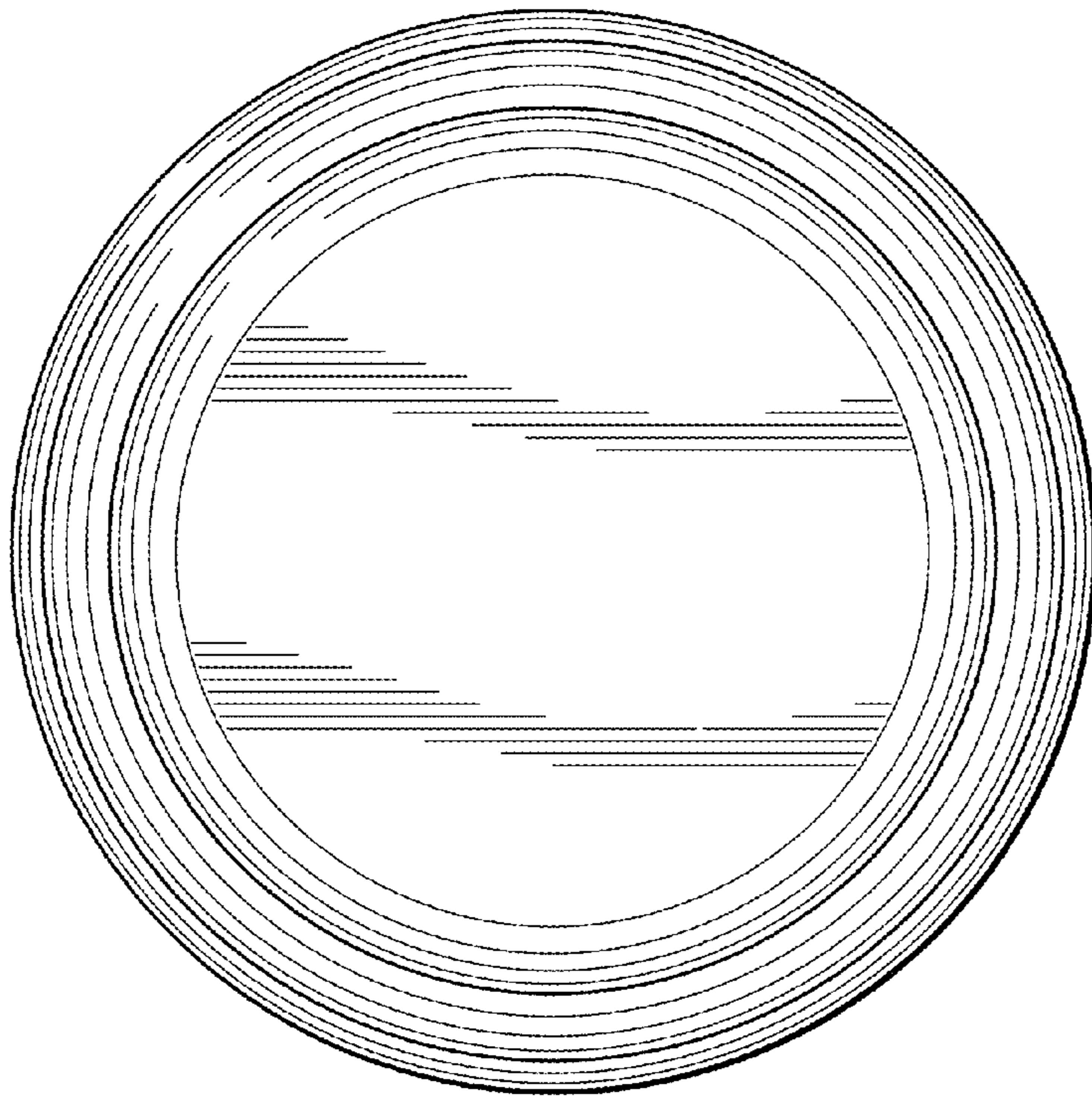


FIG. 4

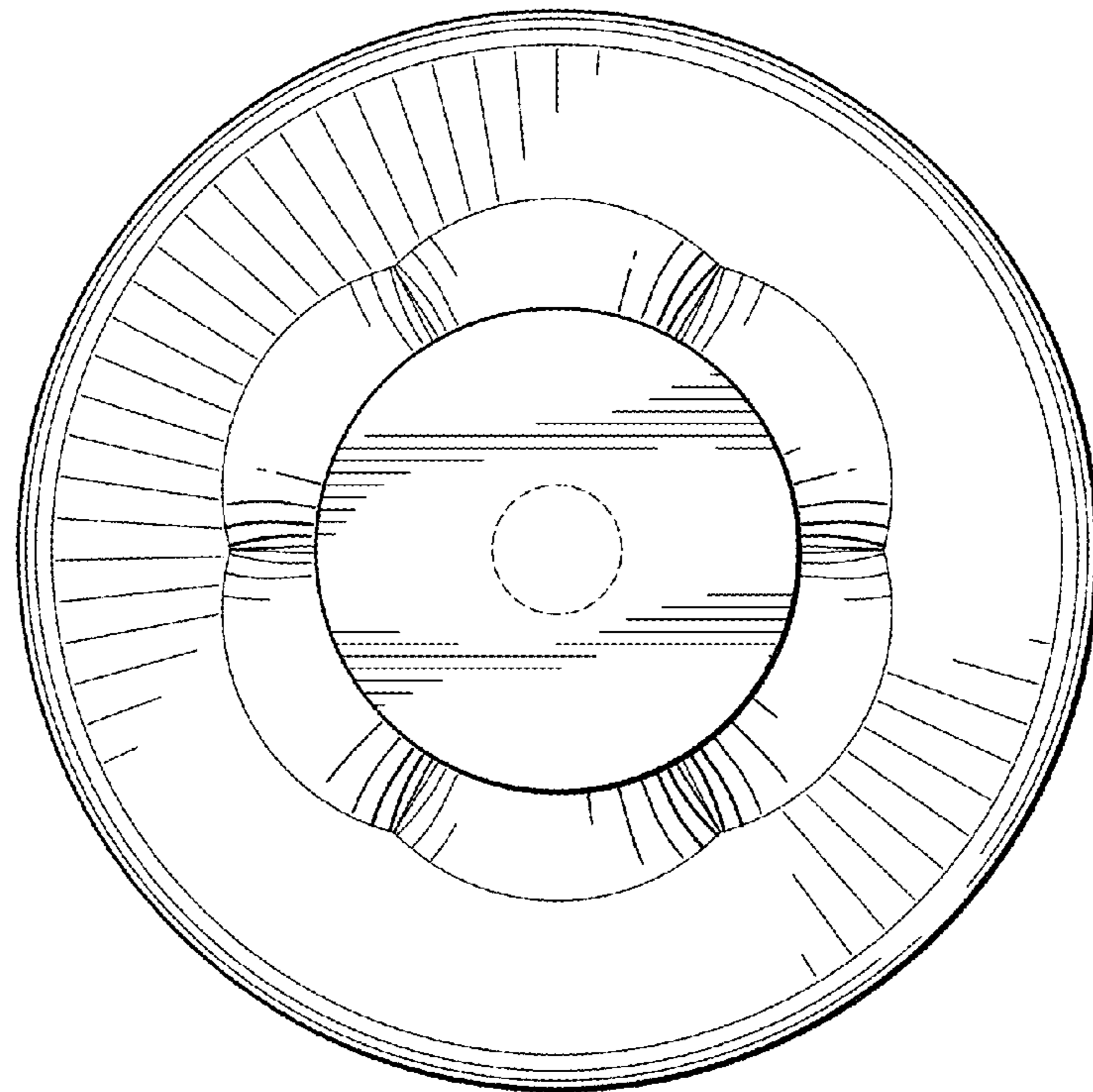


FIG. 5