



US00D679981S

(12) **United States Design Patent**
Ramsland et al.

(10) **Patent No.:** **US D679,981 S**
(45) **Date of Patent:** **** Apr. 16, 2013**

(54) **CABINET KNOB**

(75) Inventors: **Warren Ramsland**, Hillsborough, NJ
(US); **Scott Thor**, Grand Rapids, MI
(US)

(73) Assignee: **Top Knobs USA, Inc.**, Hillsborough, NJ
(US)

(**) Term: **14 Years**

(21) Appl. No.: **29/417,226**

(22) Filed: **Mar. 30, 2012**

(51) **LOC (9) Cl.** **08-06**

(52) **U.S. Cl.**
USPC **D8/312; D8/307**

(58) **Field of Classification Search** D8/300-302,
D8/305, 310, 312-321, DIG. 1; D6/633;
D7/393; D3/291, 318; D23/250-254; 292/347,
292/336.3; 16/101.1, 412, 414-420, 443-446,
16/441, 110 R, 111 R, DIG. 19, DIG. 20
See application file for complete search history.

(56) **References Cited**

U.S. PATENT DOCUMENTS

D327,732 S *	7/1992	Yost	D23/250
D328,335 S *	7/1992	Yost	D23/250
D368,638 S *	4/1996	Sonnenleiter	D8/310
D372,185 S *	7/1996	Doughty et al.	D8/310
D373,066 S *	8/1996	De'Armond	D8/310
D401,834 S *	12/1998	Burns et al.	D8/310
D474,393 S *	5/2003	Fields	D8/310
D474,672 S *	5/2003	Fields	D8/310

D560,110 S *	1/2008	Ricereto	D8/310
D563,194 S *	3/2008	Ricereto	D8/310
D564,332 S *	3/2008	McConnell	D8/310
D569,220 S *	5/2008	McConnell	D8/310
D579,303 S *	10/2008	Schneider	D8/307
D580,735 S *	11/2008	Matijevic	D8/310
D580,736 S *	11/2008	Matijevic	D8/310
D580,737 S *	11/2008	Singtoroj	D8/312
D584,127 S *	1/2009	Matijevic	D8/312
D592,484 S *	5/2009	Ricereto	D8/310
D602,329 S *	10/2009	Hanes	D8/305
D602,330 S *	10/2009	Hanes	D8/307
D602,332 S *	10/2009	Hanes	D8/307
D604,586 S *	11/2009	Rauk et al.	D8/312
D621,238 S *	8/2010	Rauk et al.	D8/312

* cited by examiner

Primary Examiner — Mark Goodwin

(74) *Attorney, Agent, or Firm* — Schultz & Associates, P.C.

(57) **CLAIM**

The ornamental design for a cabinet knob, as shown and described.

DESCRIPTION

FIG. 1 is a perspective view of a cabinet knob showing my new design;

FIG. 2 is a side elevation view thereof;

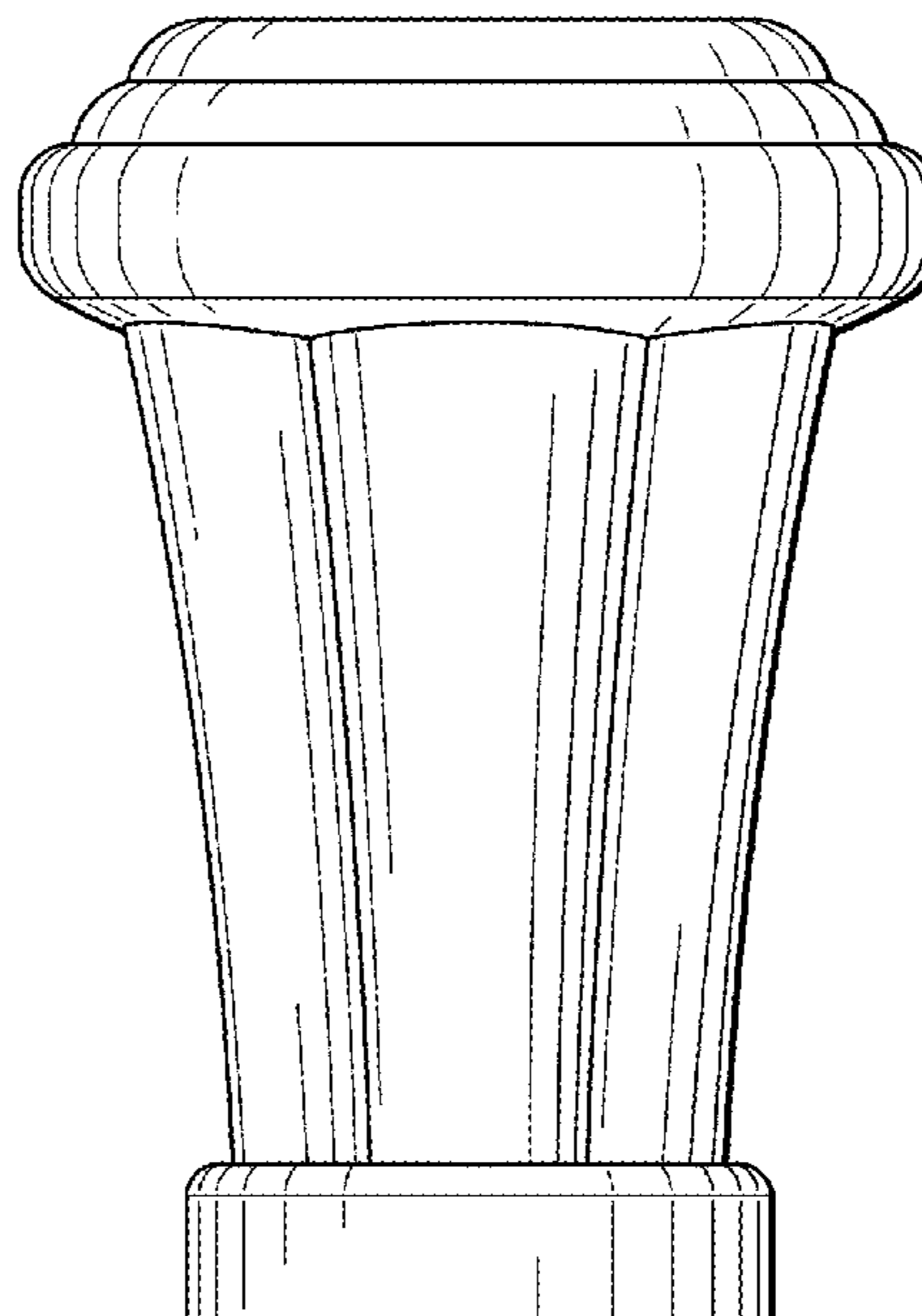
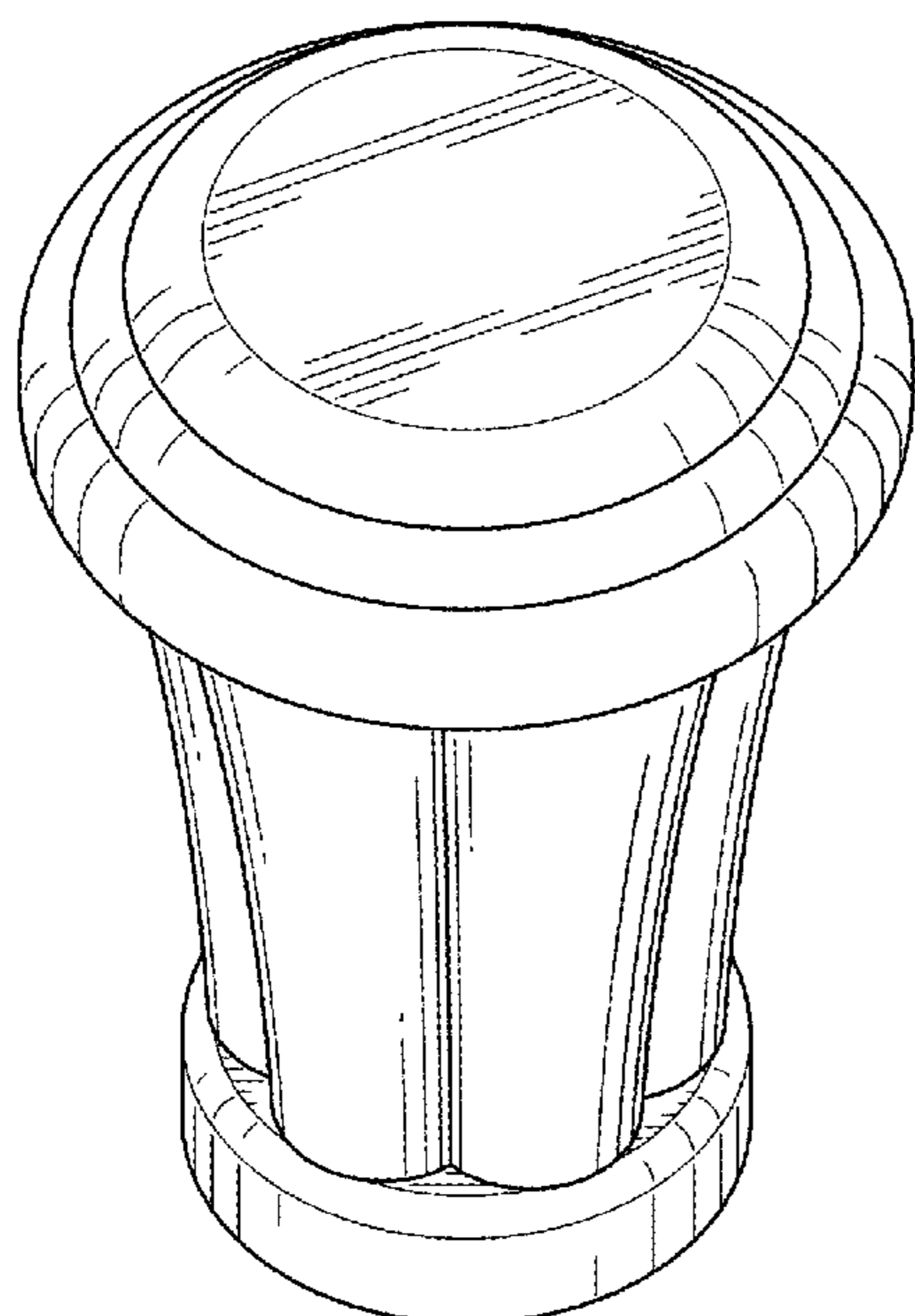
FIG. 3 is a side elevation view thereof;

FIG. 4 is a top plan view thereof; and,

FIG. 5 is a bottom plan view thereof.

The broken lines shown represent unclaimed subject matter and form no part of the claimed design.

1 Claim, 3 Drawing Sheets



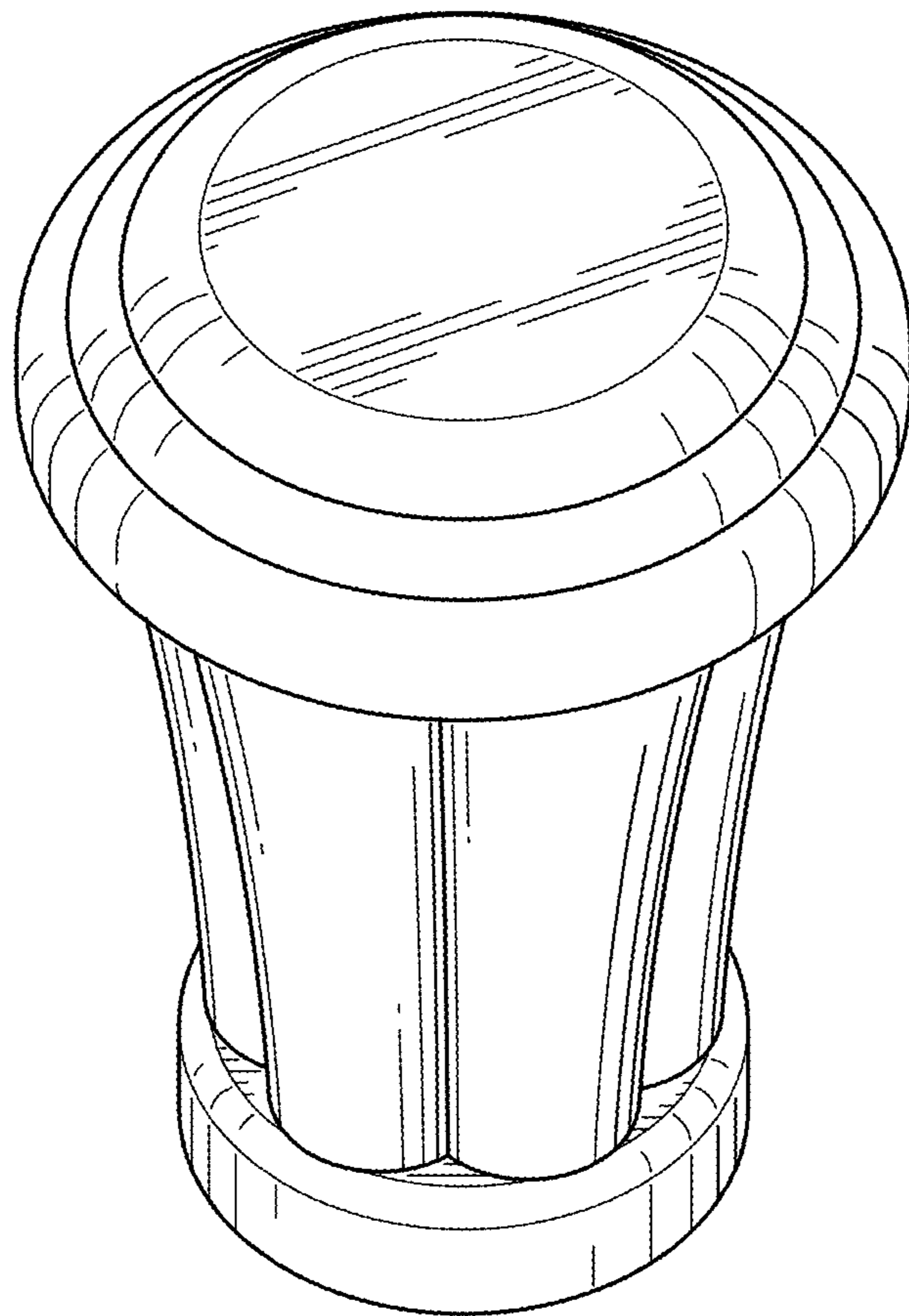


FIG. 1

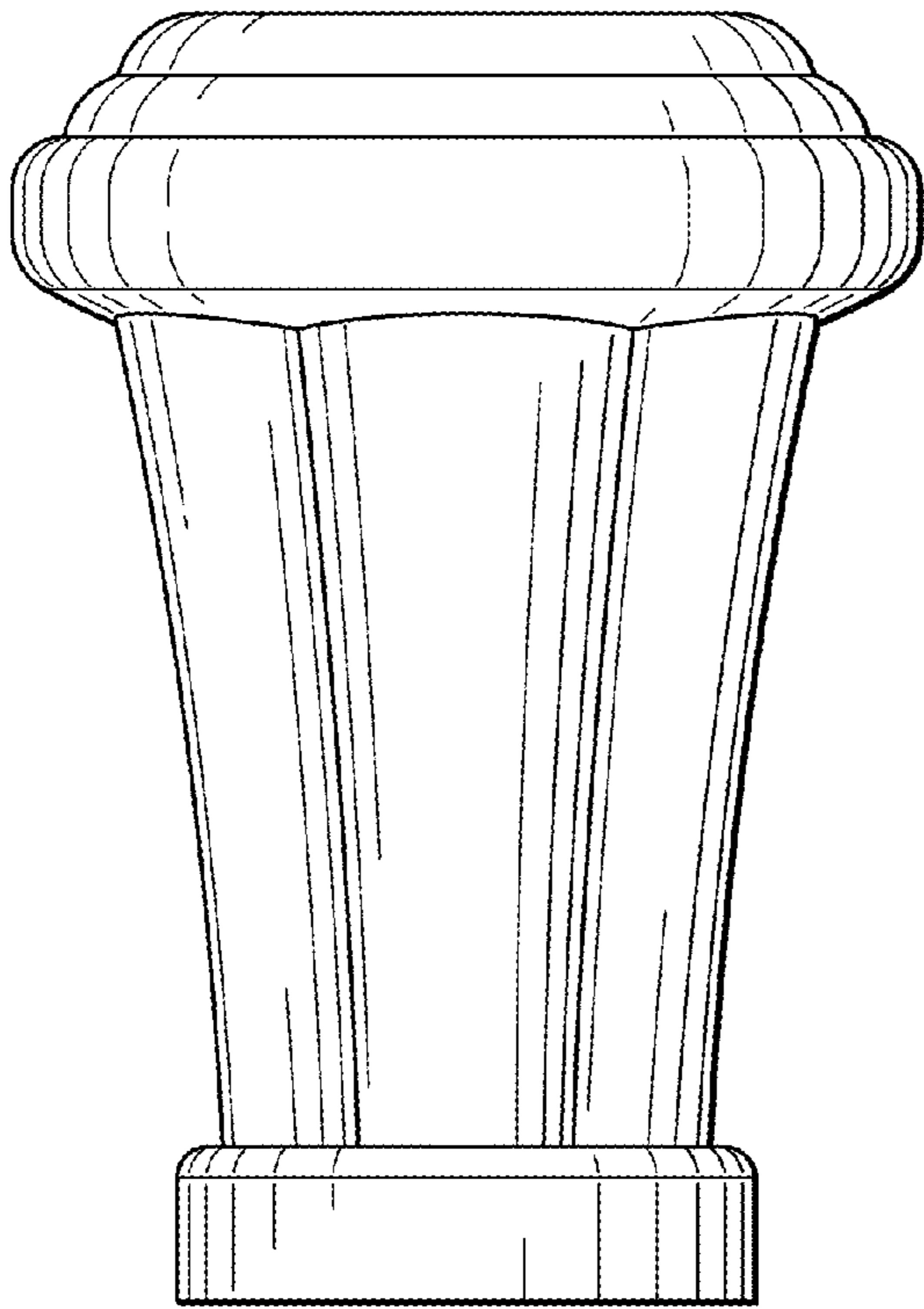


FIG. 2

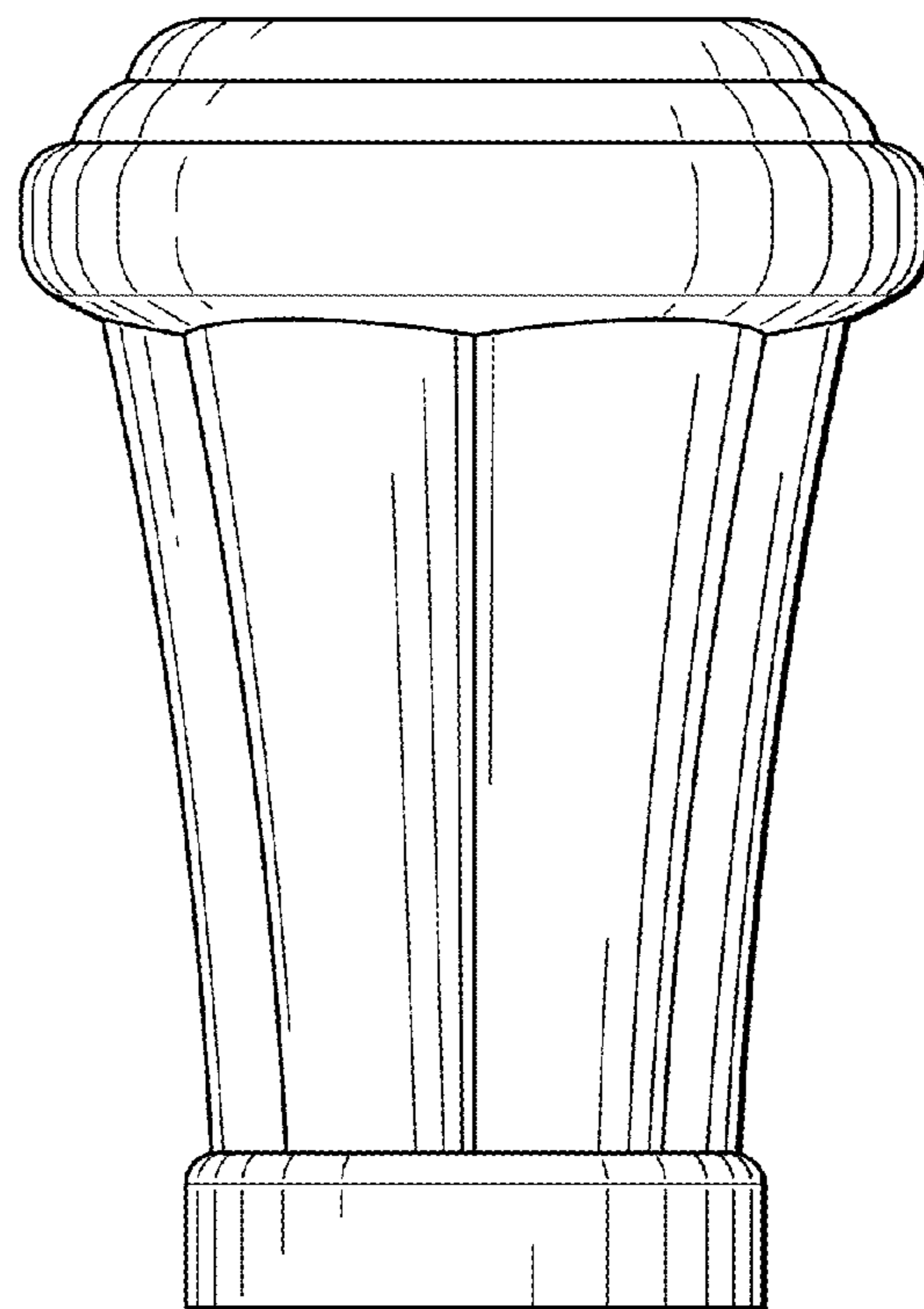


FIG. 3

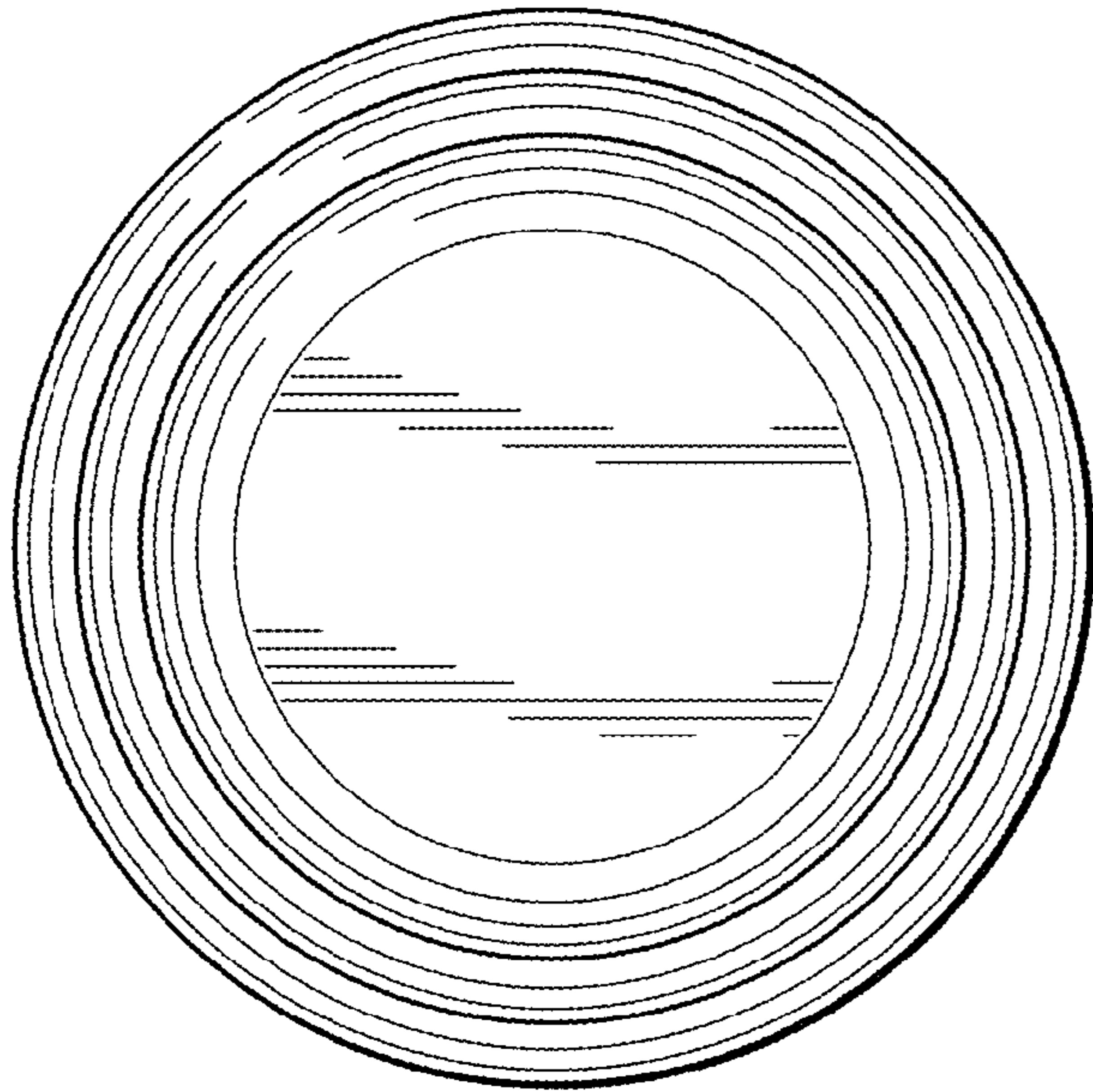


FIG. 4

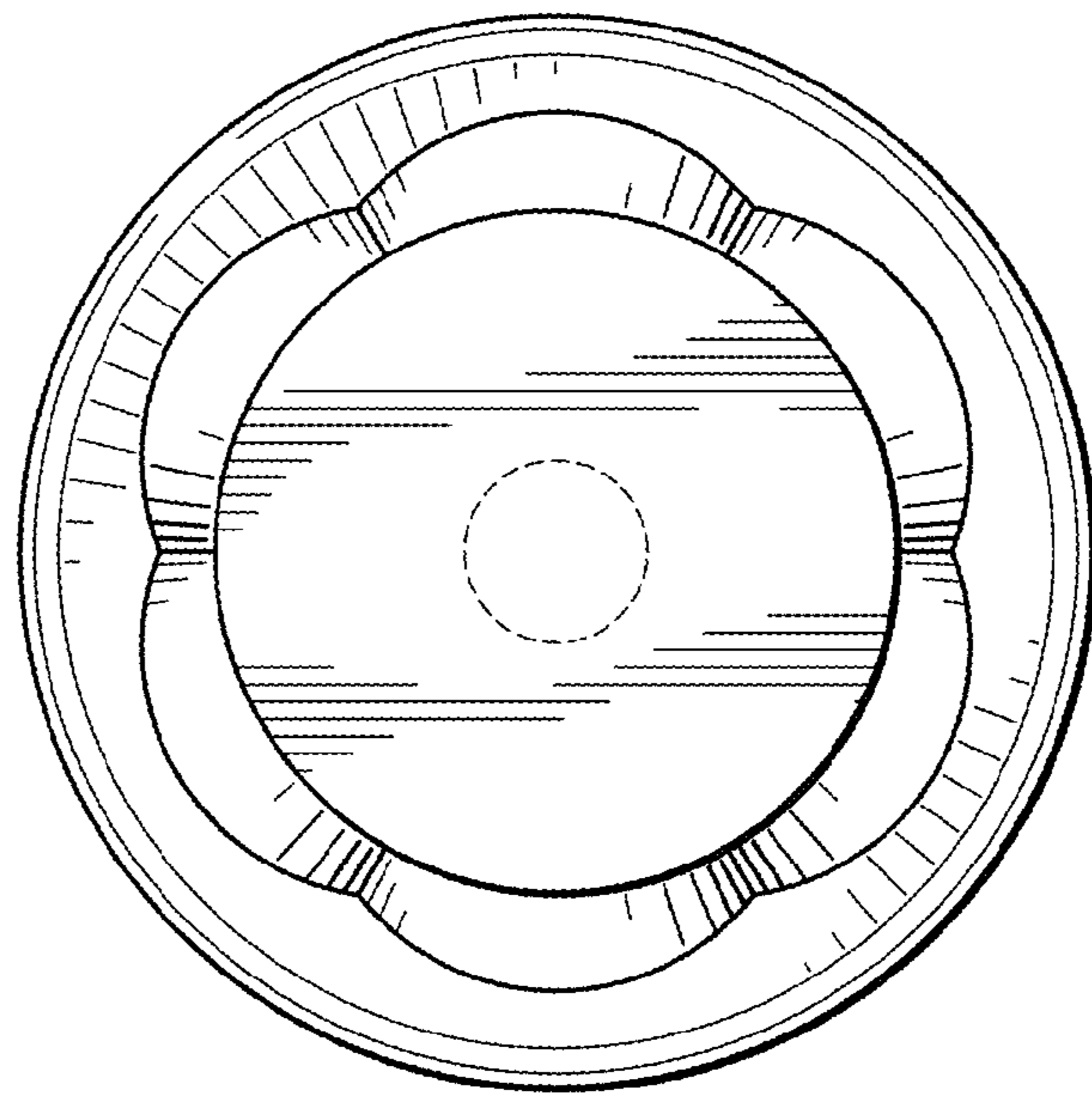


FIG. 5