



US00D679980S

(12) **United States Design Patent**  
**Ramsland et al.**

(10) **Patent No.:** **US D679,980 S**  
(45) **Date of Patent:** **\*\* Apr. 16, 2013**

(54) **CABINET KNOB**  
(75) Inventors: **Warren Ramsland**, Hillsborough, NJ  
(US); **Christine Zimmer**, Hillsborough,  
NJ (US)  
(73) Assignee: **Top Knobs USA, Inc.**, Hillsborough, NJ  
(US)  
(\*\*) Term: **14 Years**

D232,621 S *	9/1974	Zagaroll	.....	D8/310
D361,493 S *	8/1995	Chieda	.....	D8/310
D434,962 S *	12/2000	Short	.....	D8/310
D558,557 S *	1/2008	Jou	.....	D8/310
D563,195 S *	3/2008	Ricereto	.....	D8/310
D565,385 S *	4/2008	Jou	.....	D8/307
D574,212 S *	8/2008	Jou	.....	D8/305
D580,736 S *	11/2008	Matijevic	.....	D8/310
D585,263 S *	1/2009	Jou	.....	D8/305
D604,586 S *	11/2009	Rauk et al.	.....	D8/312
D621,238 S *	8/2010	Rauk et al.	.....	D8/312
D660,680 S *	5/2012	Han	.....	D8/310

(21) Appl. No.: **29/416,379**  
(22) Filed: **Mar. 21, 2012**  
(51) **LOC (9) Cl.** ..... **08-06**  
(52) **U.S. Cl.**  
USPC ..... **D8/310; D8/305**  
(58) **Field of Classification Search** ..... D8/300,  
D8/305, 307, 310, DIG. 1; D23/242, 250,  
D23/254; 16/110.1, 412, 414, 417, 422,  
16/441; 292/336.3  
See application file for complete search history.

\* cited by examiner

*Primary Examiner* — Paula Greene  
(74) *Attorney, Agent, or Firm* — Schultz & Associates, P.C.

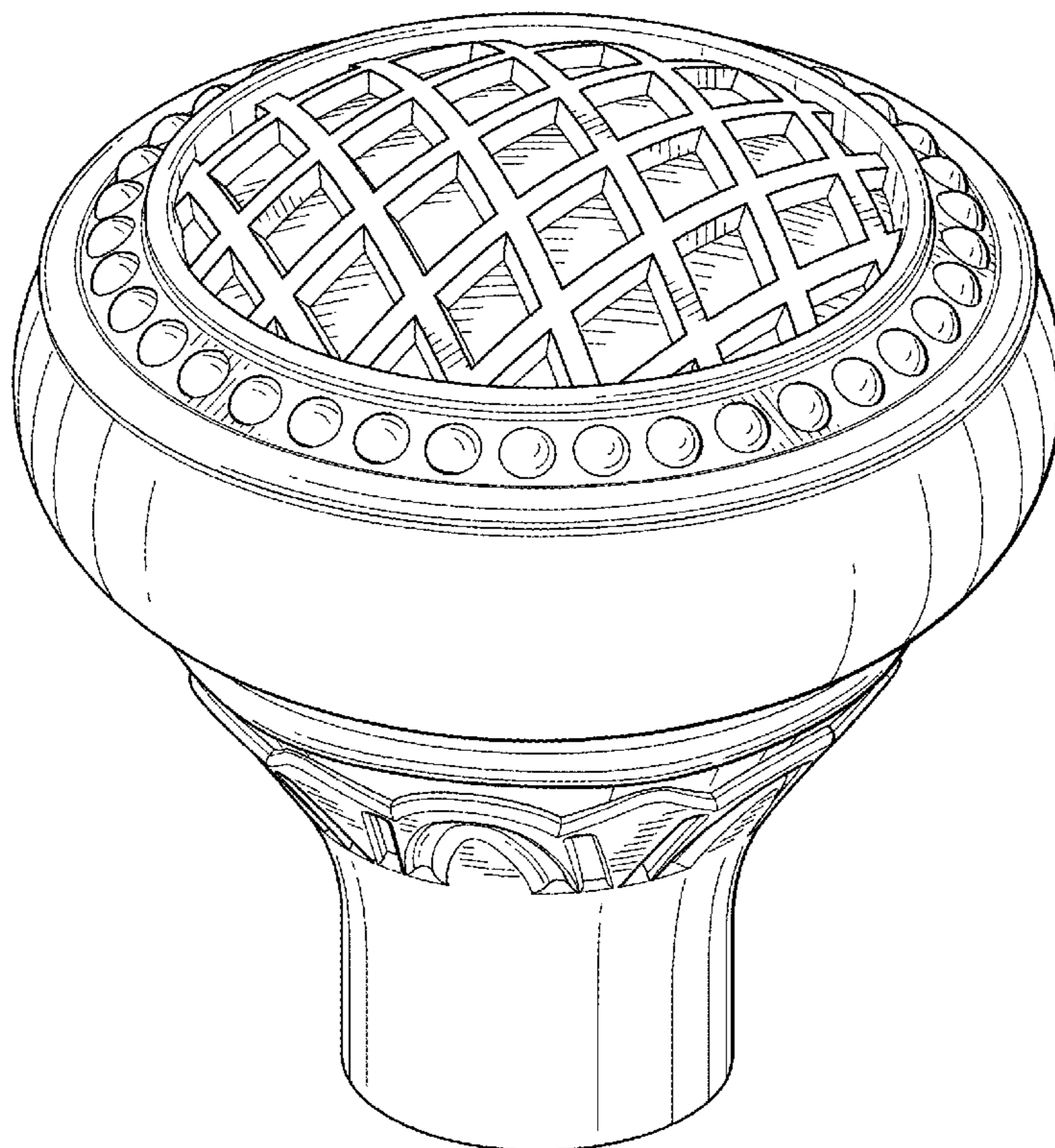
(57) **CLAIM**  
The ornamental design for a cabinet knob, as shown and described.

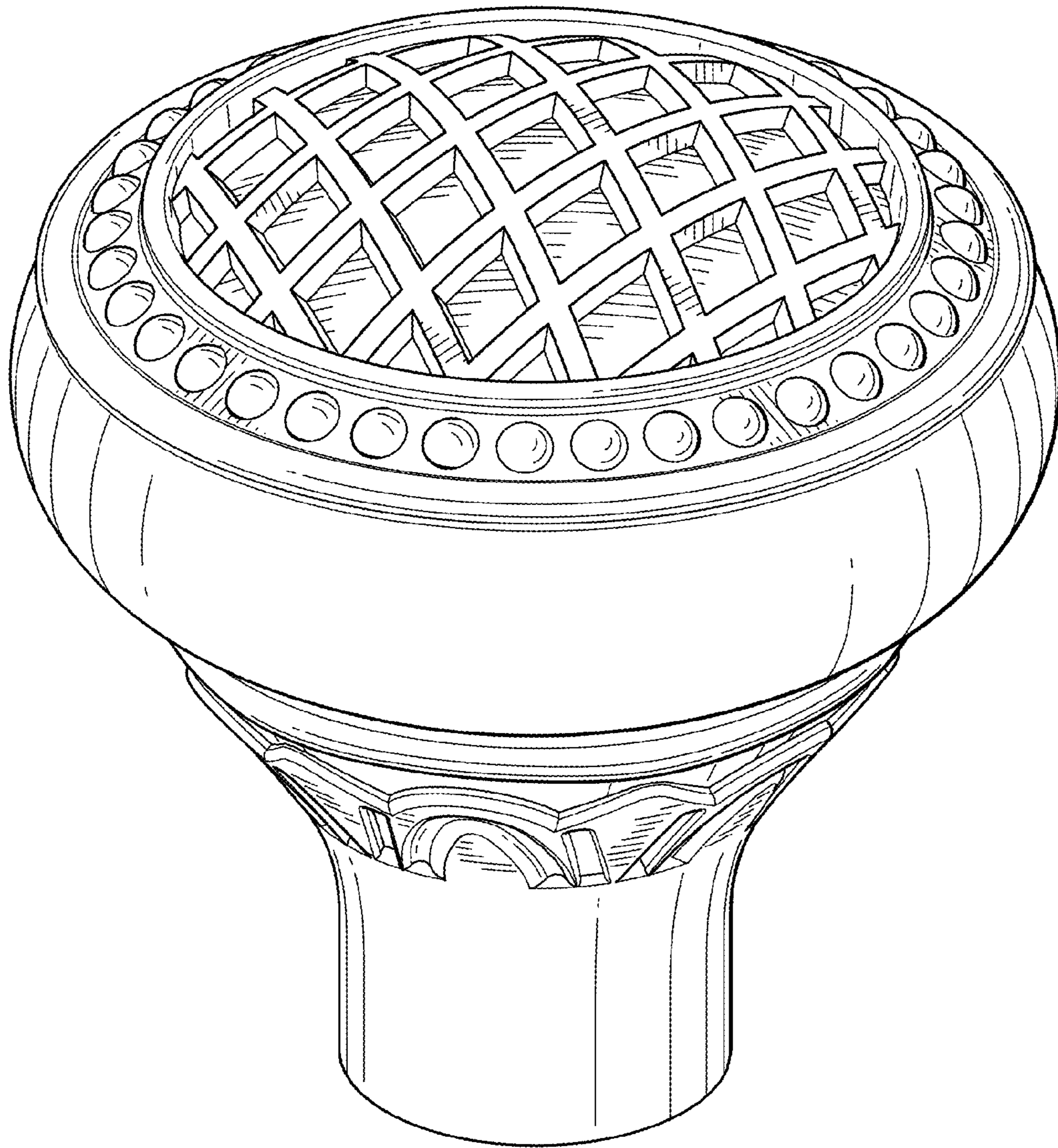
**DESCRIPTION**

FIG. 1 is a perspective view of a cabinet knob showing my new design;  
FIG. 2 is a top plan view thereof;  
FIG. 3 is a side elevation view thereof;  
FIG. 4 is a side elevation view thereof; and,  
FIG. 5 is a bottom plan view thereof.  
The broken lines shown represent unclaimed subject matter and form no part of the claimed design.

(56) **References Cited**  
U.S. PATENT DOCUMENTS  
D22,755 S \* 8/1893 Russell ..... D8/305  
D198,522 S \* 6/1964 Clayton ..... D8/305  
D219,422 S \* 12/1970 Tegner ..... D8/310

**1 Claim, 3 Drawing Sheets**





*FIG. 1*

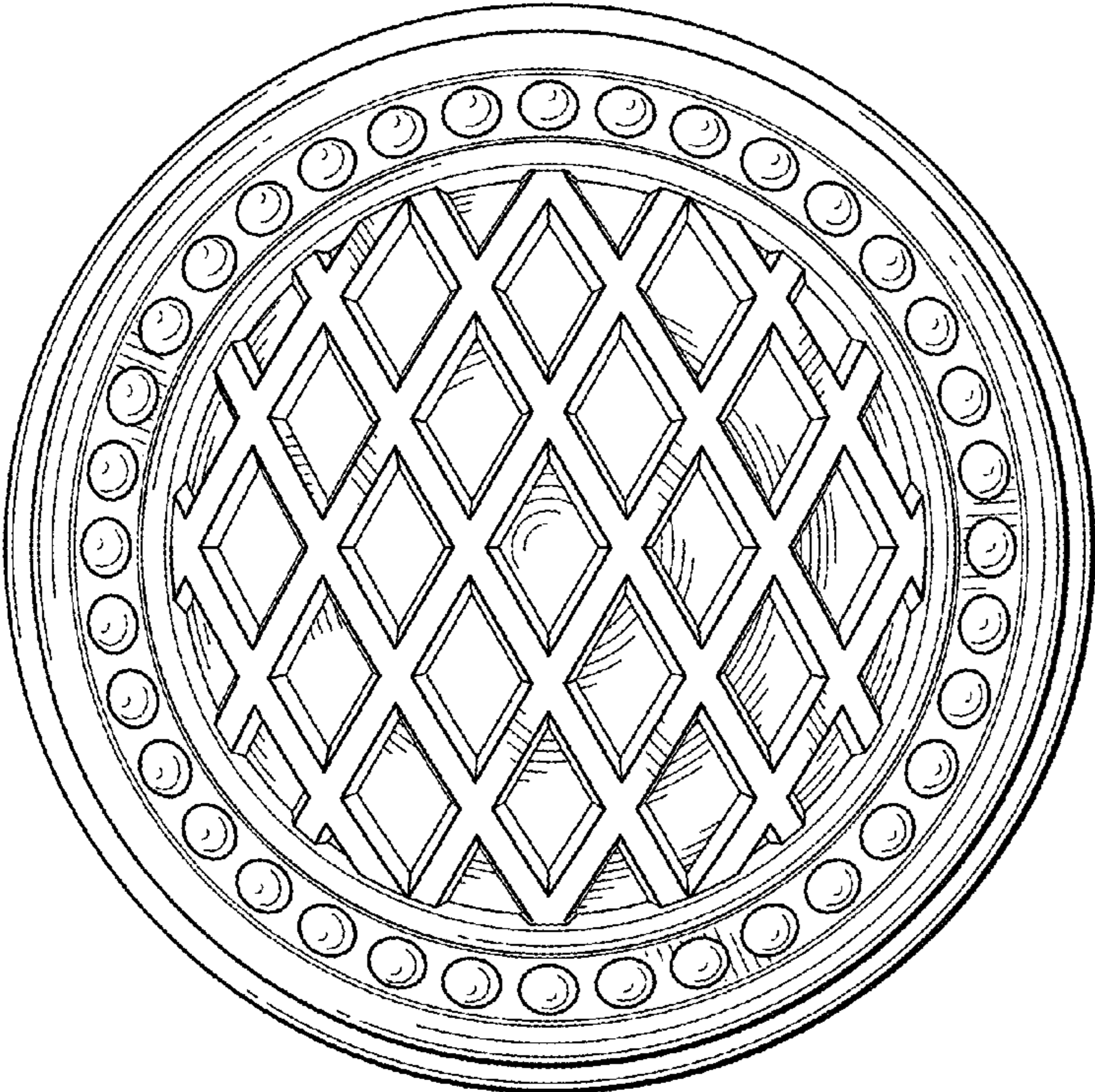


FIG. 2

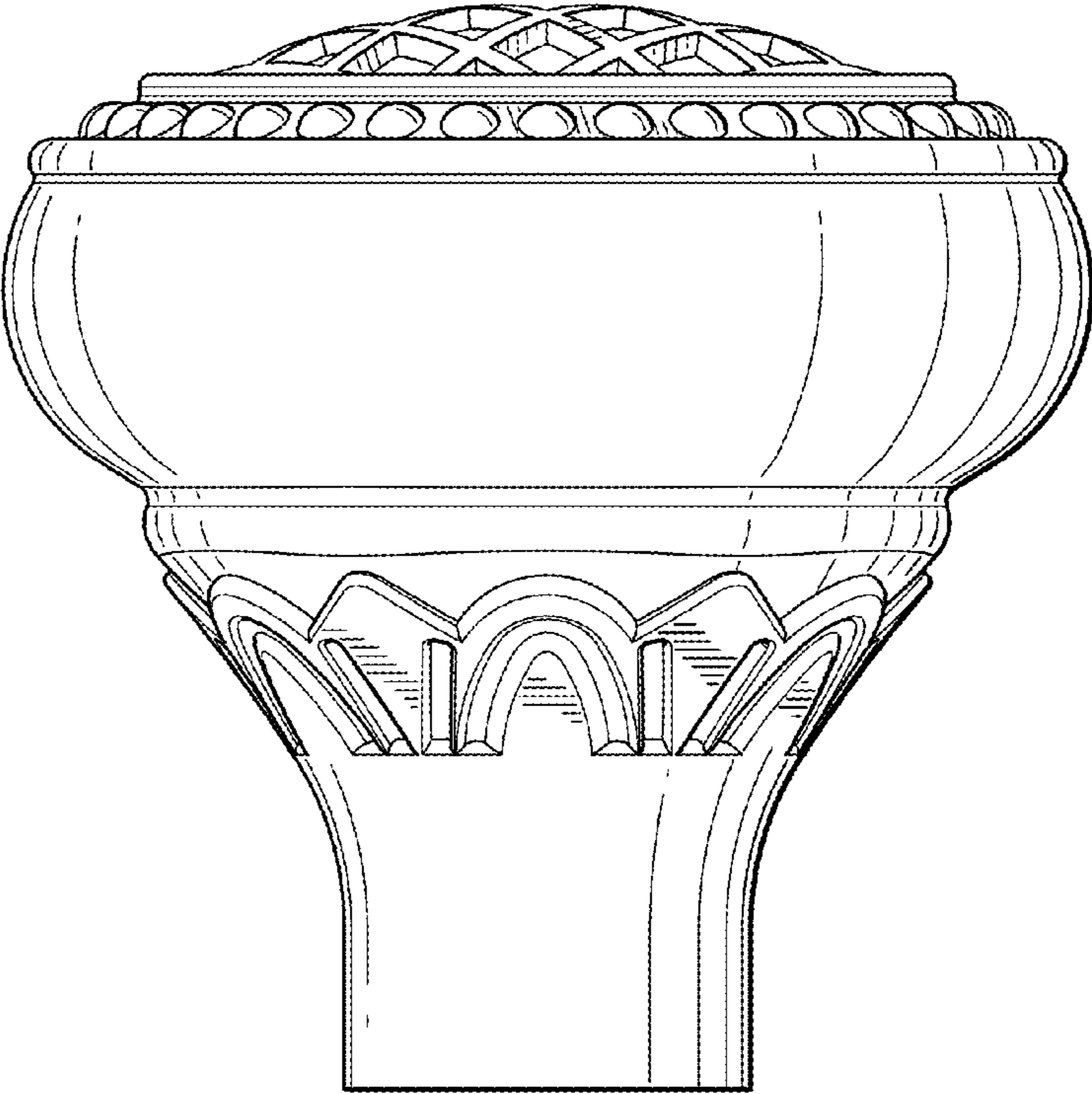


FIG. 3

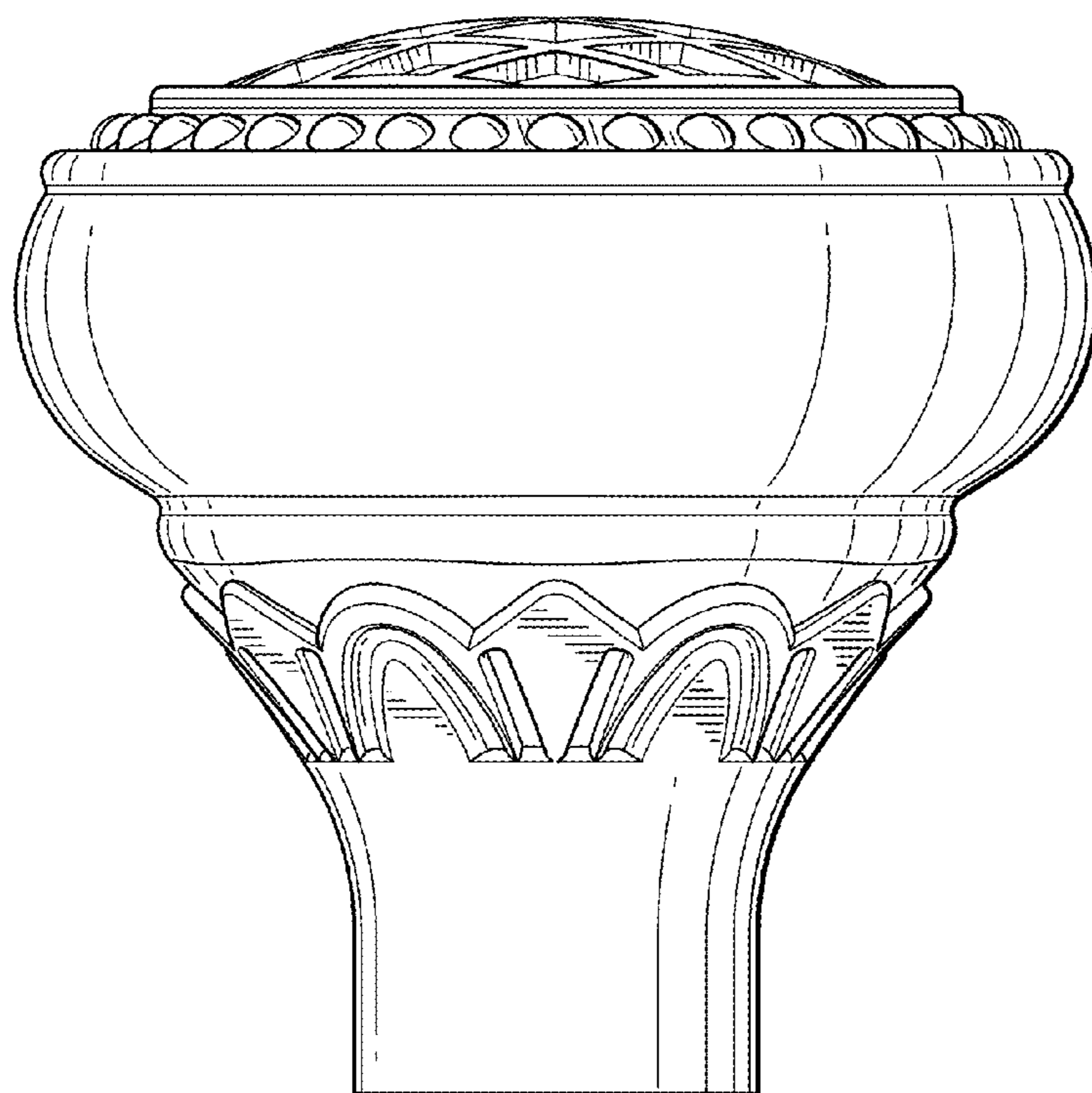


FIG. 4

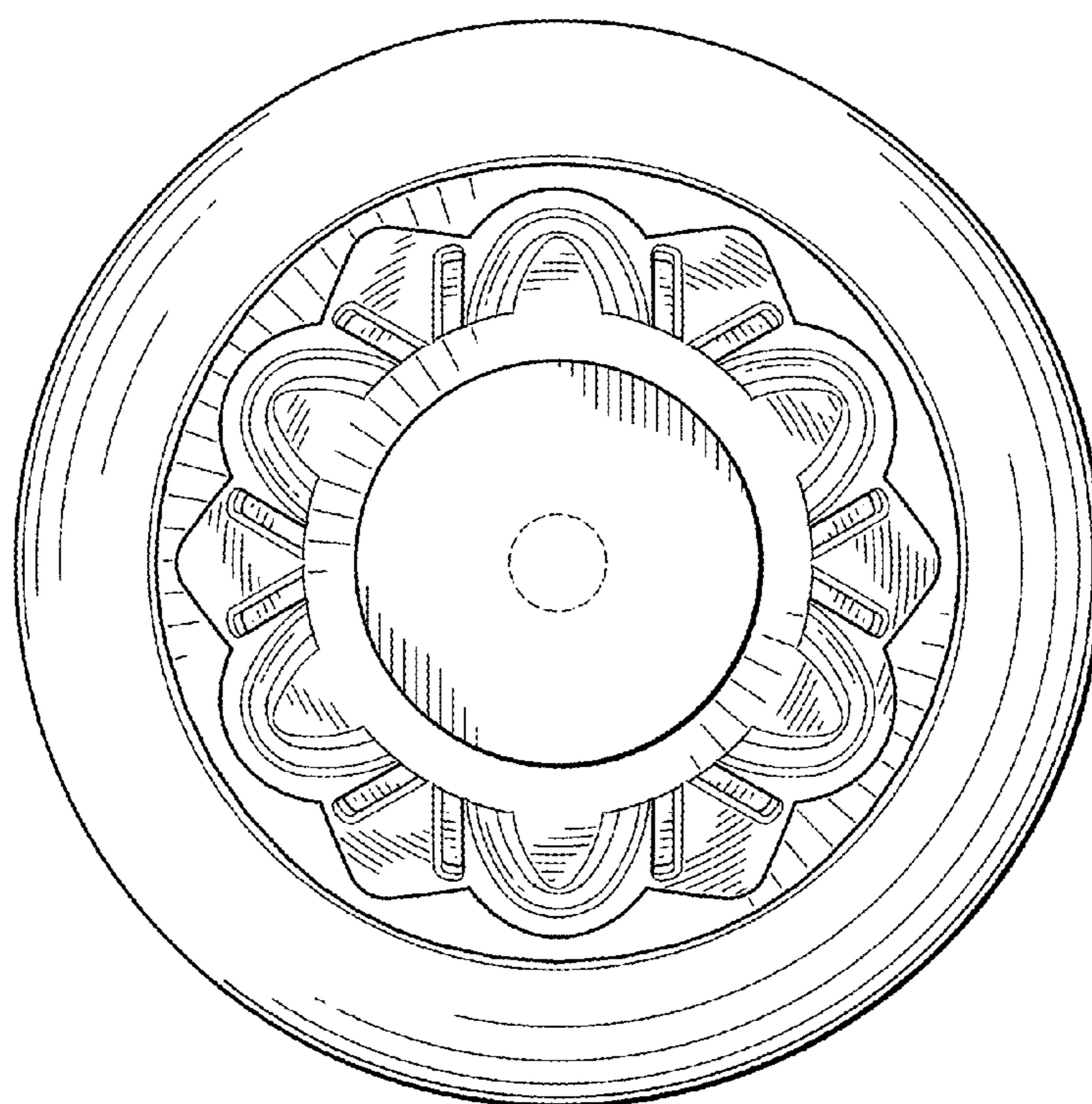


FIG. 5