



US00D679979S

(12) **United States Design Patent**
Ramsland et al.

(10) **Patent No.:** **US D679,979 S**

(45) **Date of Patent:** **** *Apr. 16, 2013**

(54) **CABINET KNOB**

(75) Inventors: **Warren Ramsland**, Hillsborough, NJ
(US); **Christine Zimmer**, Hillsborough,
NJ (US)

(73) Assignee: **Top Knobs USA, Inc.**, Hillsborough, NJ
(US)

(*) Notice: This patent is subject to a terminal disclaimer.

(**) Term: **14 Years**

(21) Appl. No.: **29/417,223**

(22) Filed: **Mar. 30, 2012**

(51) **LOC (9) Cl.** **08-06**

(52) **U.S. Cl.**
USPC **D8/307**

(58) **Field of Classification Search** D8/300,
D8/305, 307, 310, DIG. 1; D23/250, 254;
D6/549; D7/393; 16/110.1, 412, 414, 417,
16/441; 292/336.3, 347
See application file for complete search history.

(56) **References Cited**

U.S. PATENT DOCUMENTS

2,796,627	A *	6/1957	Heyer	16/417
D185,283	S *	5/1959	Heyer	D8/307
D213,865	S *	4/1969	Sonnenleiter	D8/307
D274,690	S *	7/1984	Cesaroni	D8/310
D357,851	S *	5/1995	Off	D8/310

D382,480	S *	8/1997	Wacker	D9/435
D452,413	S *	12/2001	Rae	D7/393
D541,619	S *	5/2007	Ricereto	D8/307
D542,622	S *	5/2007	Ricereto	D8/307
D543,088	S *	5/2007	Ricereto	D8/310
D568,713	S *	5/2008	Ricereto	D8/305
D570,184	S *	6/2008	Ricereto	D8/307
D579,303	S *	10/2008	Schneider	D8/307
D580,769	S *	11/2008	Lloyd et al.	D9/529
D581,767	S *	12/2008	Thompson	D8/313
D586,733	S *	2/2009	Shinohara	D12/588
D598,267	S *	8/2009	Menzies	D8/307
D602,332	S *	10/2009	Hanes	D8/307
D606,381	S *	12/2009	Menzies	D8/307
D645,723	S *	9/2011	Roe et al.	D8/307

* cited by examiner

Primary Examiner — Paula Greene

(74) *Attorney, Agent, or Firm* — Schultz & Associates, P.C.

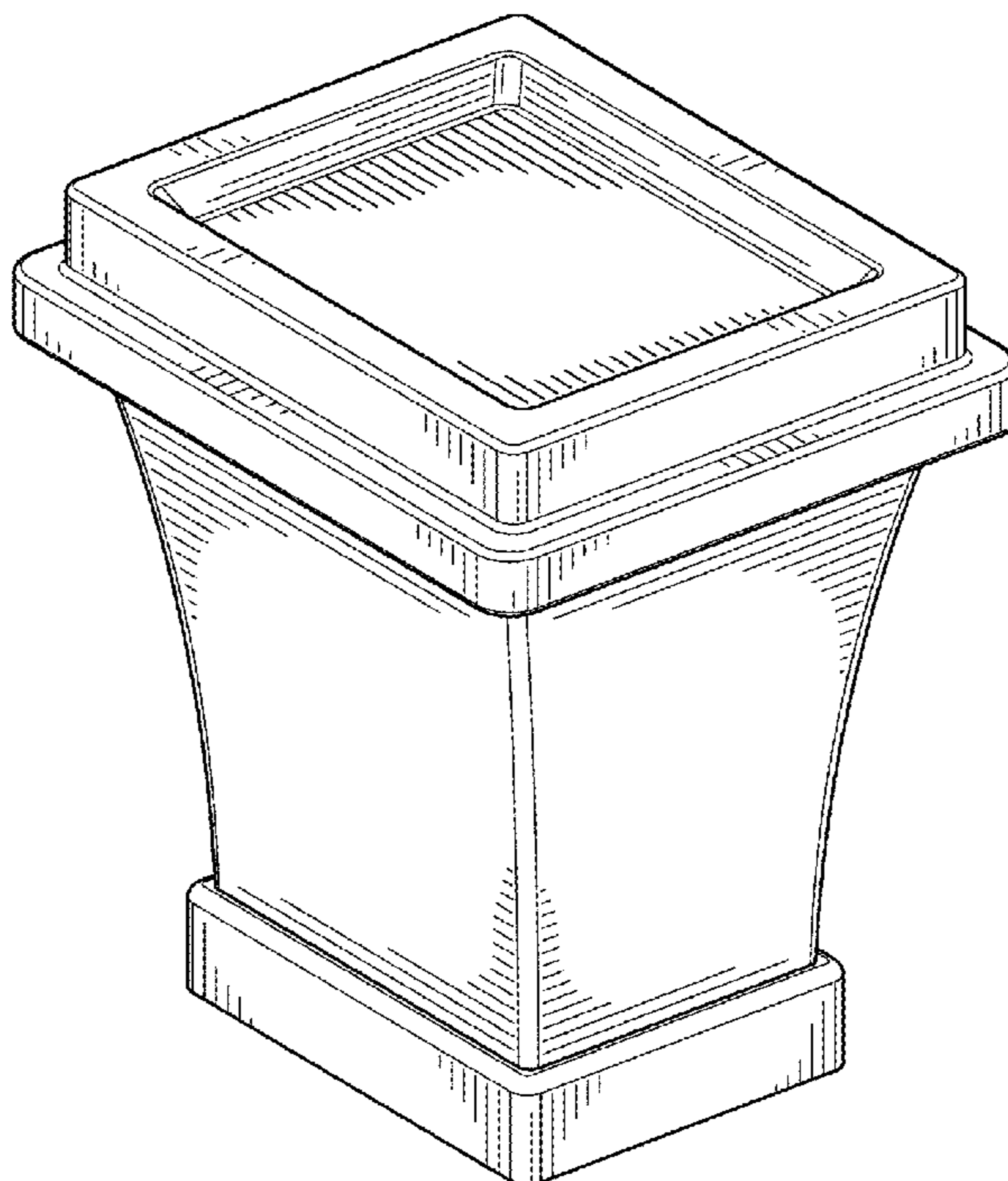
(57) **CLAIM**

The ornamental design for a cabinet knob, as shown and described.

DESCRIPTION

FIG. 1 is a perspective view of a cabinet knob showing my new design;
FIG. 2 is a side elevation view thereof;
FIG. 3 is a side elevation view thereof;
FIG. 4 is a top plan view thereof; and,
FIG. 5 is a bottom plan view thereof.
The broken lines shown represent unclaimed subject matter and form no part of the claimed design.

1 Claim, 3 Drawing Sheets



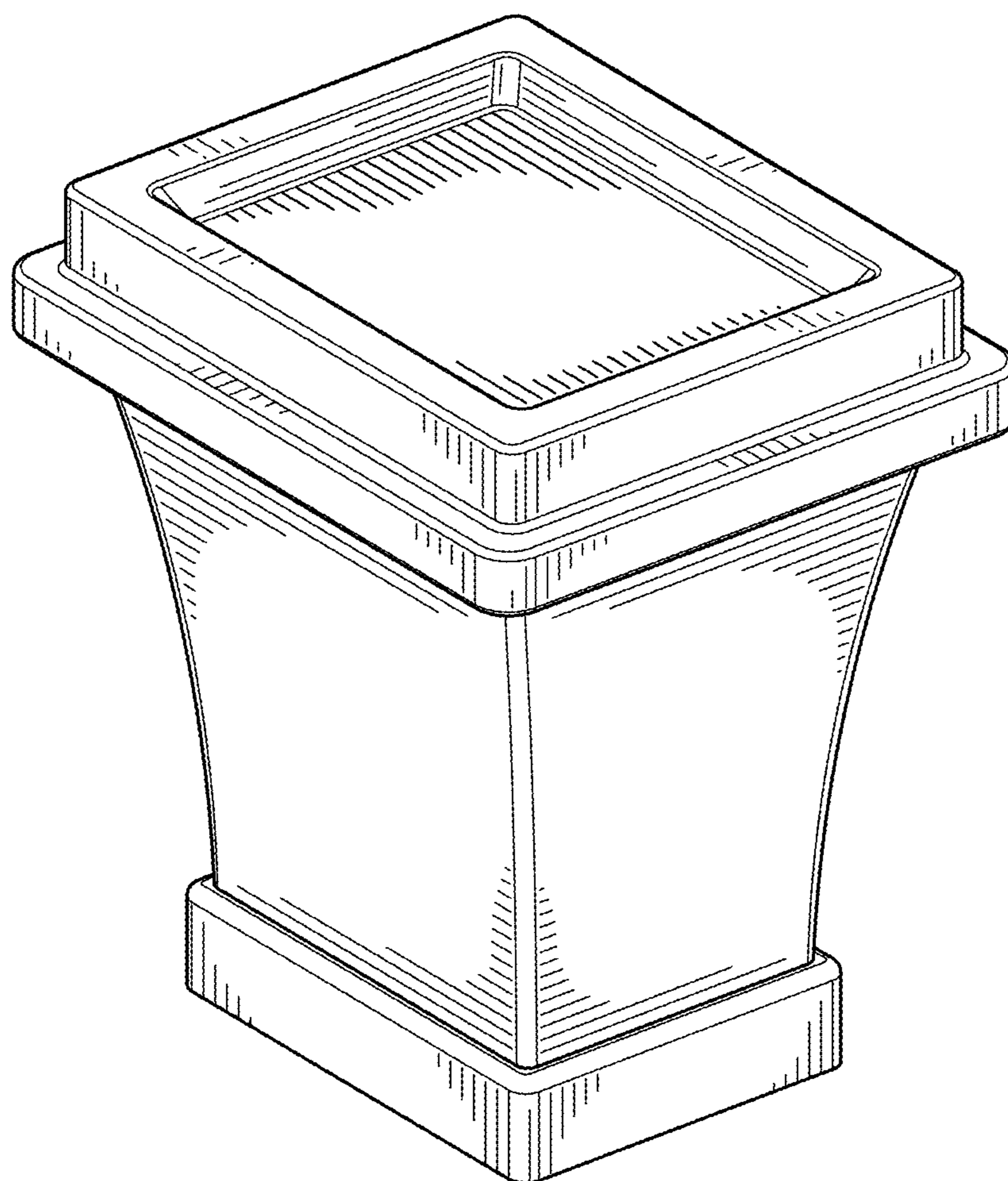


FIG. 1

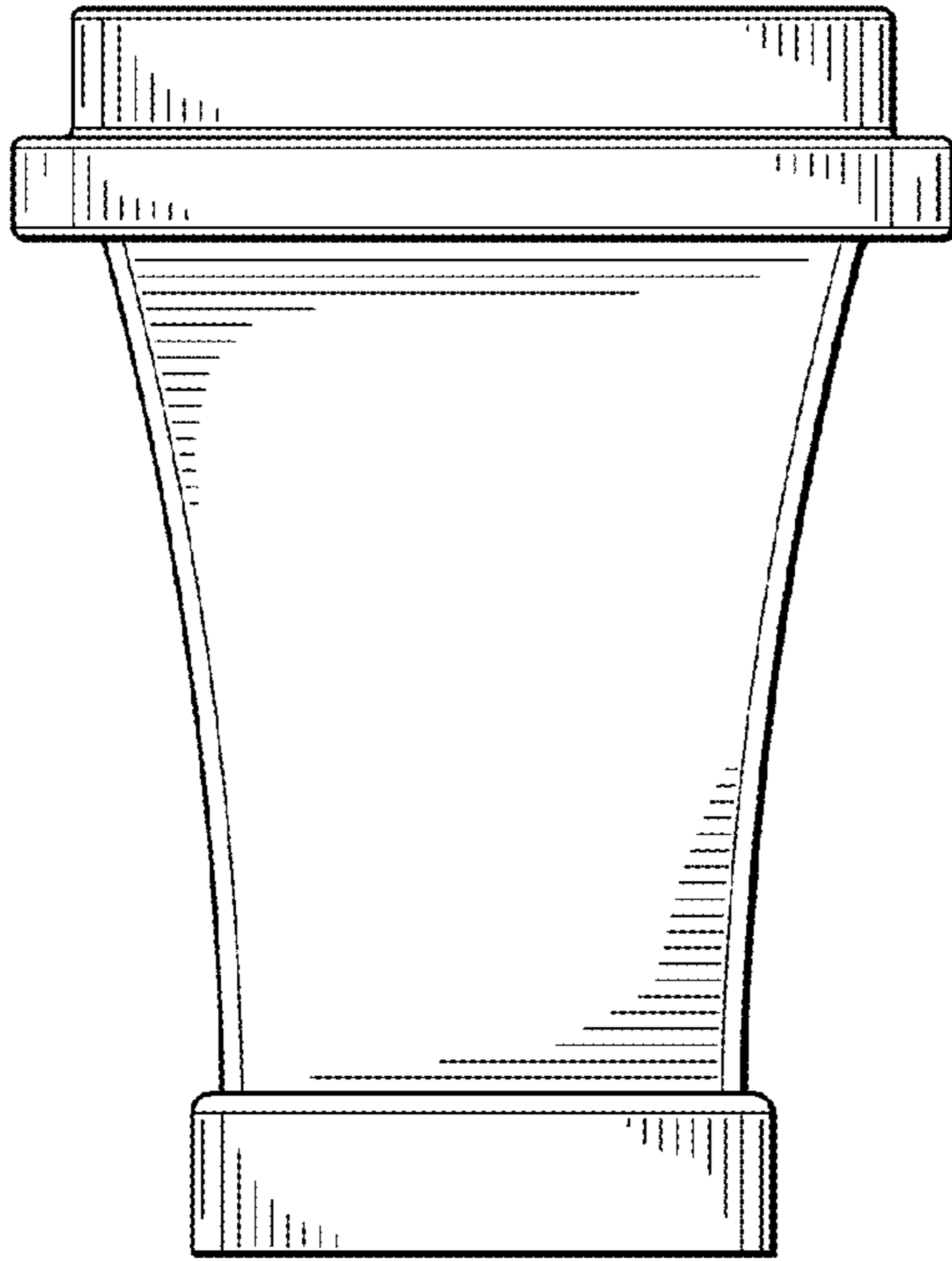


FIG. 2

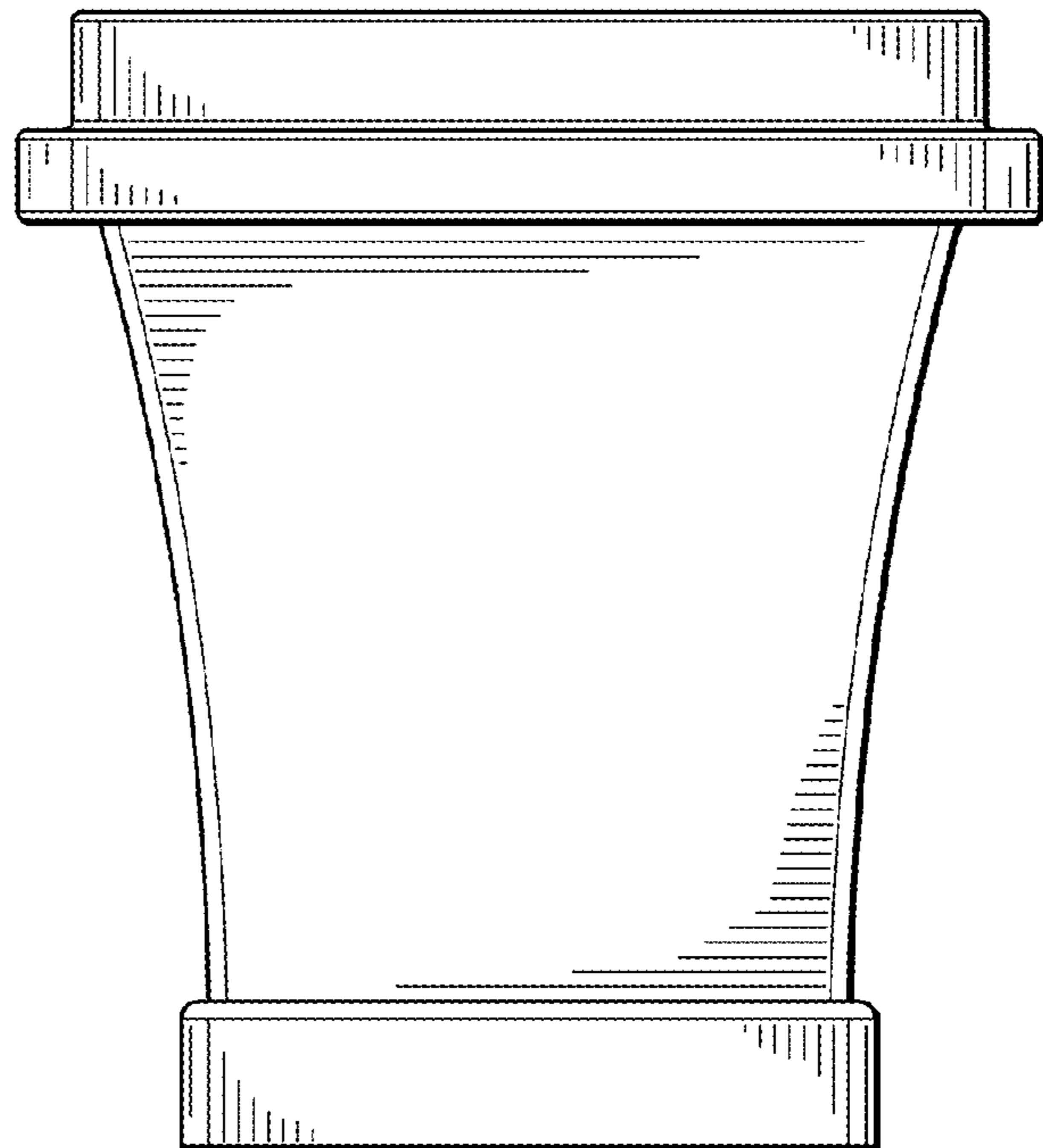


FIG. 3

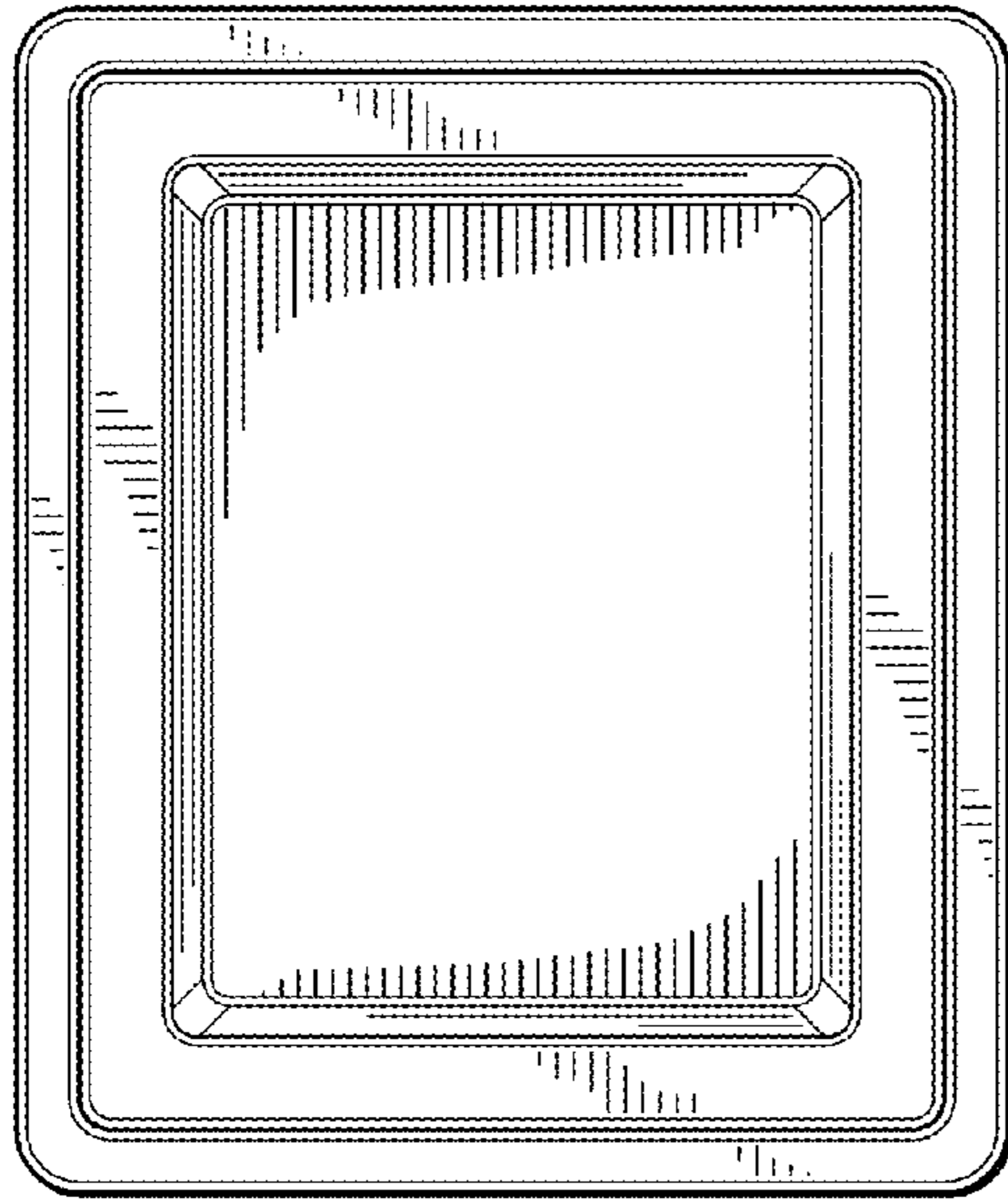


FIG. 4

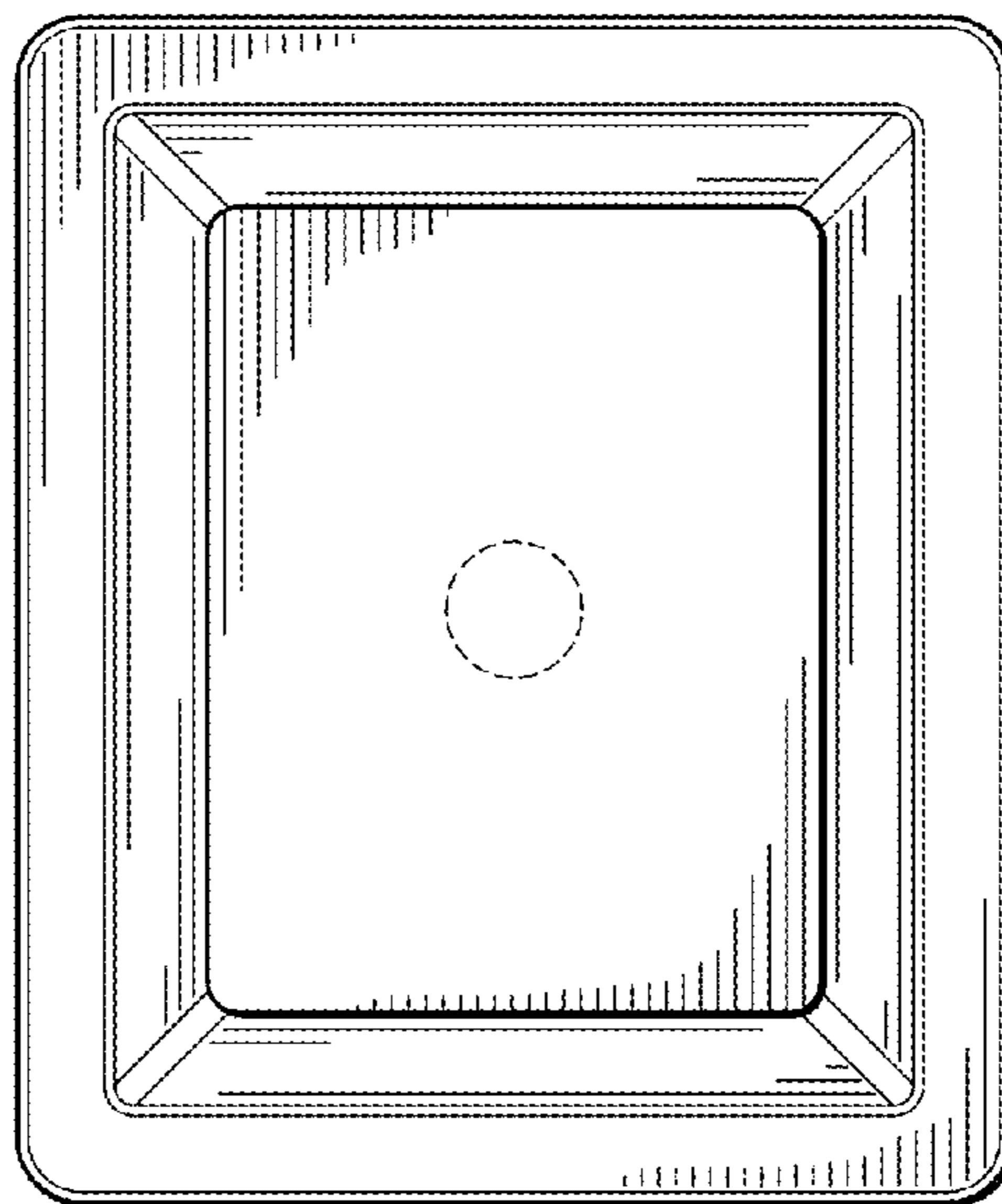


FIG. 5