



US00D679978S

(12) **United States Design Patent**
Ramsland et al.

(10) **Patent No.:** **US D679,978 S**

(45) **Date of Patent:** **** Apr. 16, 2013**

(54) **CABINET KNOB**

(75) Inventors: **Warren Ramsland**, Hillsborough, NJ
(US); **Christine Zimmer**, Hillsborough,
NJ (US)

(73) Assignee: **Top Knobs USA, Inc.**, Hillsborough, NJ
(US)

(**) Term: **14 Years**

(21) Appl. No.: **29/416,392**

(22) Filed: **Mar. 21, 2012**

(51) **LOC (9) Cl.** **08-06**

(52) **U.S. Cl.**
USPC **D8/307; D8/305**

(58) **Field of Classification Search** D8/300,
D8/305, 307, 310, 315, 316, 317, DIG. 1;
D23/250, 254; D7/393; D6/549; 16/110.1,
16/412, 414, 417, 422; 292/336.3

See application file for complete search history.

(56) **References Cited**

U.S. PATENT DOCUMENTS

D98,585 S *	2/1936	Fisher	D11/222
D196,294 S *	9/1963	Zola	D8/307
D197,212 S *	12/1963	Clayton	D8/307
D203,148 S *	12/1965	Kaiser	D23/250
D204,128 S *	3/1966	Clayton	D8/317
D227,737 S *	7/1973	Chasen	D8/307
D252,183 S *	6/1979	DeWindt	D8/300

D361,493 S *	8/1995	Chieda	D8/310
D372,657 S *	8/1996	De'Armond	D8/307
D377,747 S *	2/1997	De'Armond	D8/310
D442,055 S *	5/2001	Dewald et al.	D8/310
D515,394 S *	2/2006	Citterio	D8/300
D540,142 S *	4/2007	Rexach	D8/307
D563,195 S *	3/2008	Ricereto	D8/310
D633,364 S *	3/2011	Owens	D8/310
D634,176 S *	3/2011	Owens	D8/307
D634,178 S *	3/2011	Owens	D8/316
D639,134 S *	6/2011	Owens	D8/316

* cited by examiner

Primary Examiner — Paula Greene

(74) *Attorney, Agent, or Firm* — Schultz & Associates, P.C.

(57) **CLAIM**

The ornamental design for a cabinet knob, as shown and described.

DESCRIPTION

FIG. 1 is a perspective view of a cabinet knob showing my new design;

FIG. 2 is a side elevation view thereof;

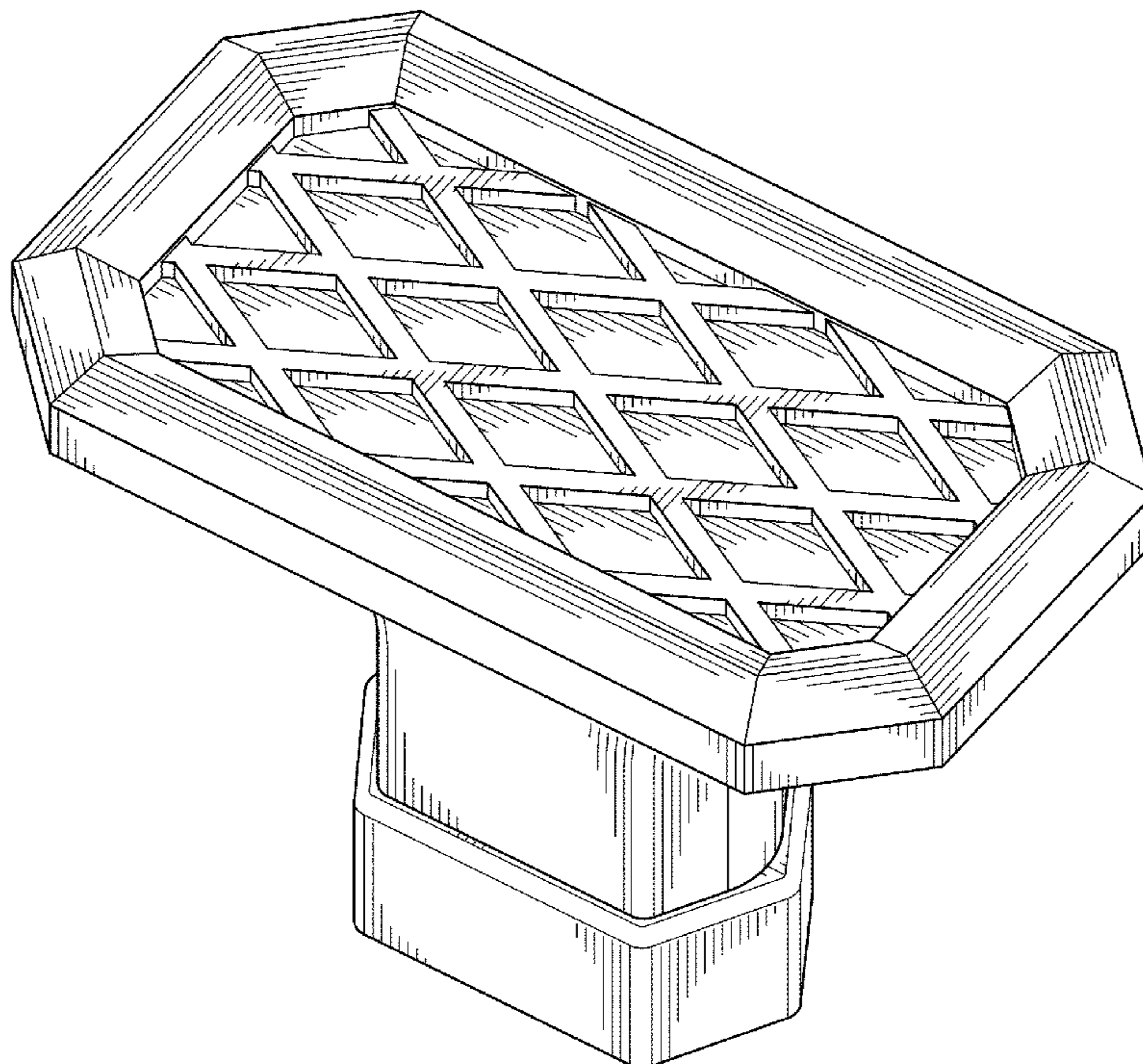
FIG. 3 is a side elevation view thereof;

FIG. 4 is a top plan view thereof; and,

FIG. 5 is a bottom plan view thereof.

The broken lines shown represent unclaimed subject matter and form no part of the claimed design.

1 Claim, 3 Drawing Sheets



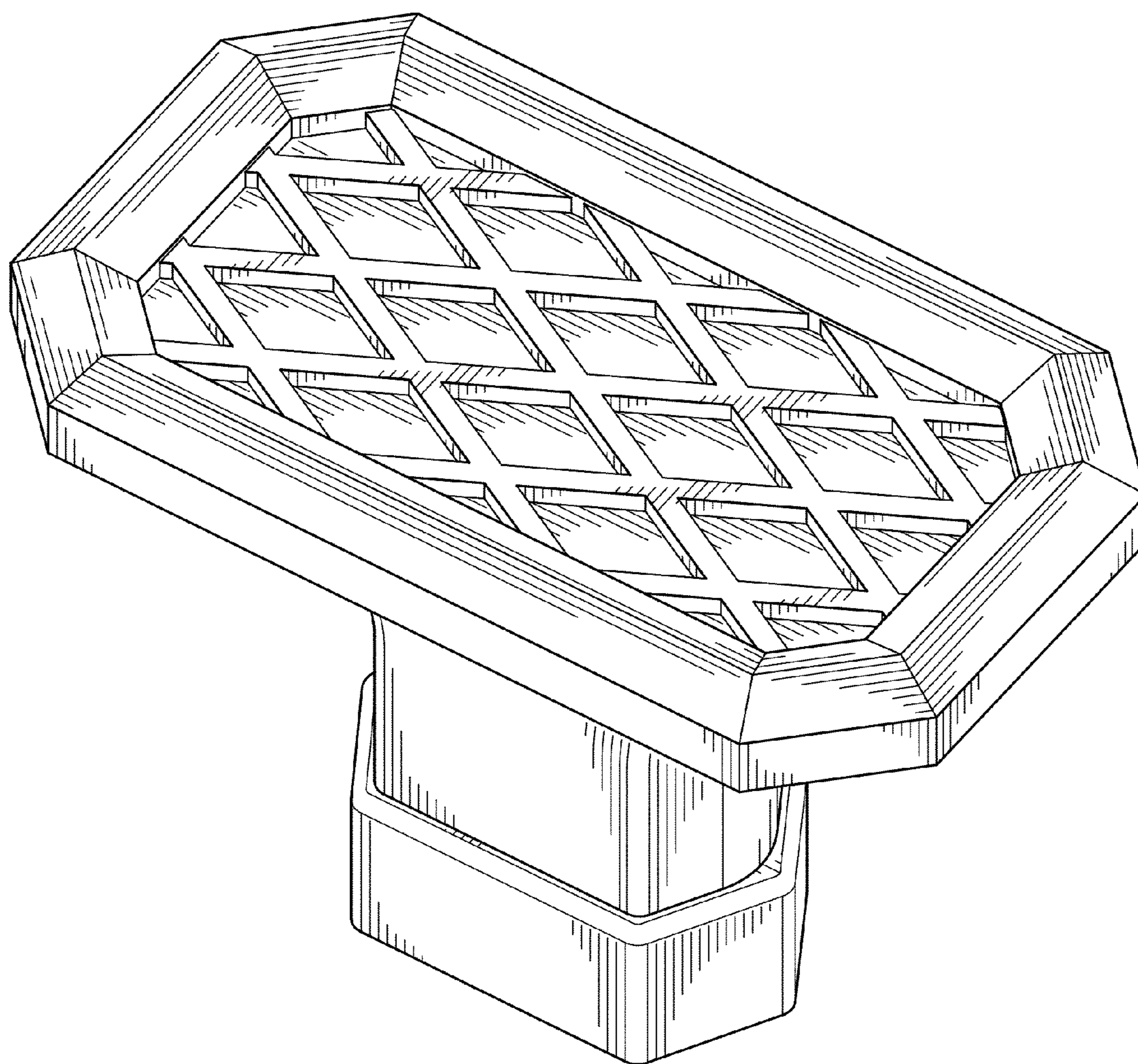


FIG. 1

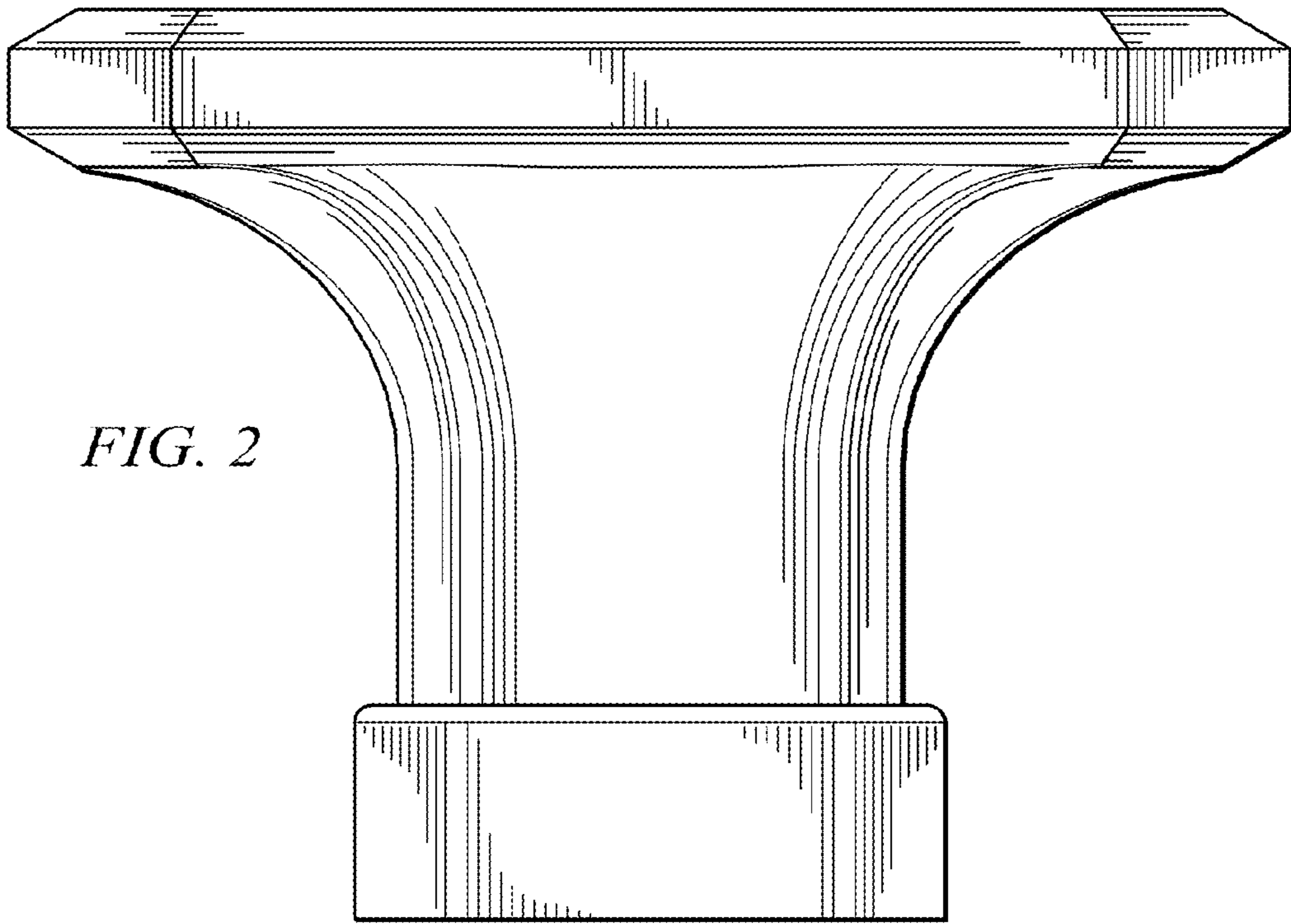


FIG. 2

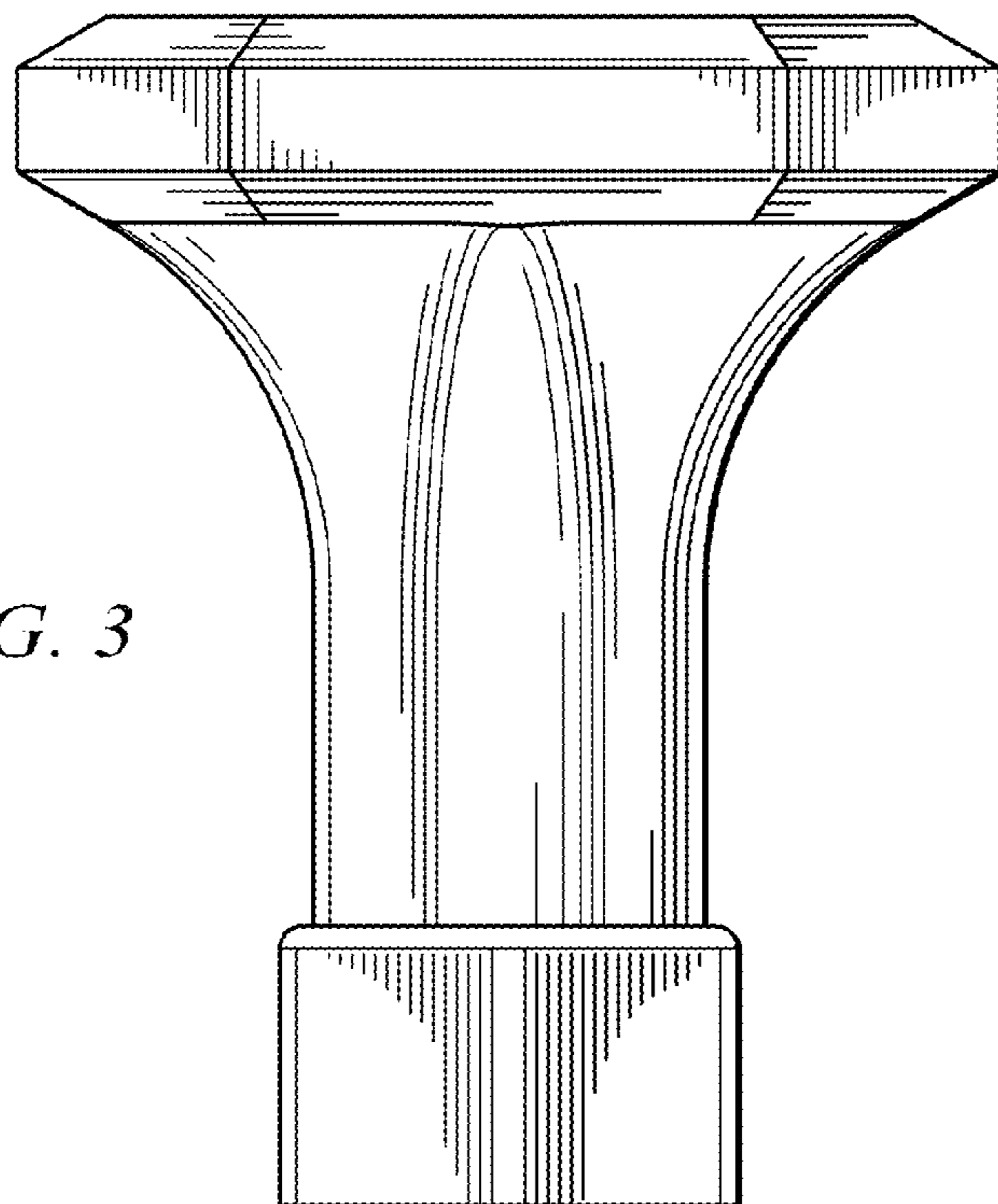


FIG. 3

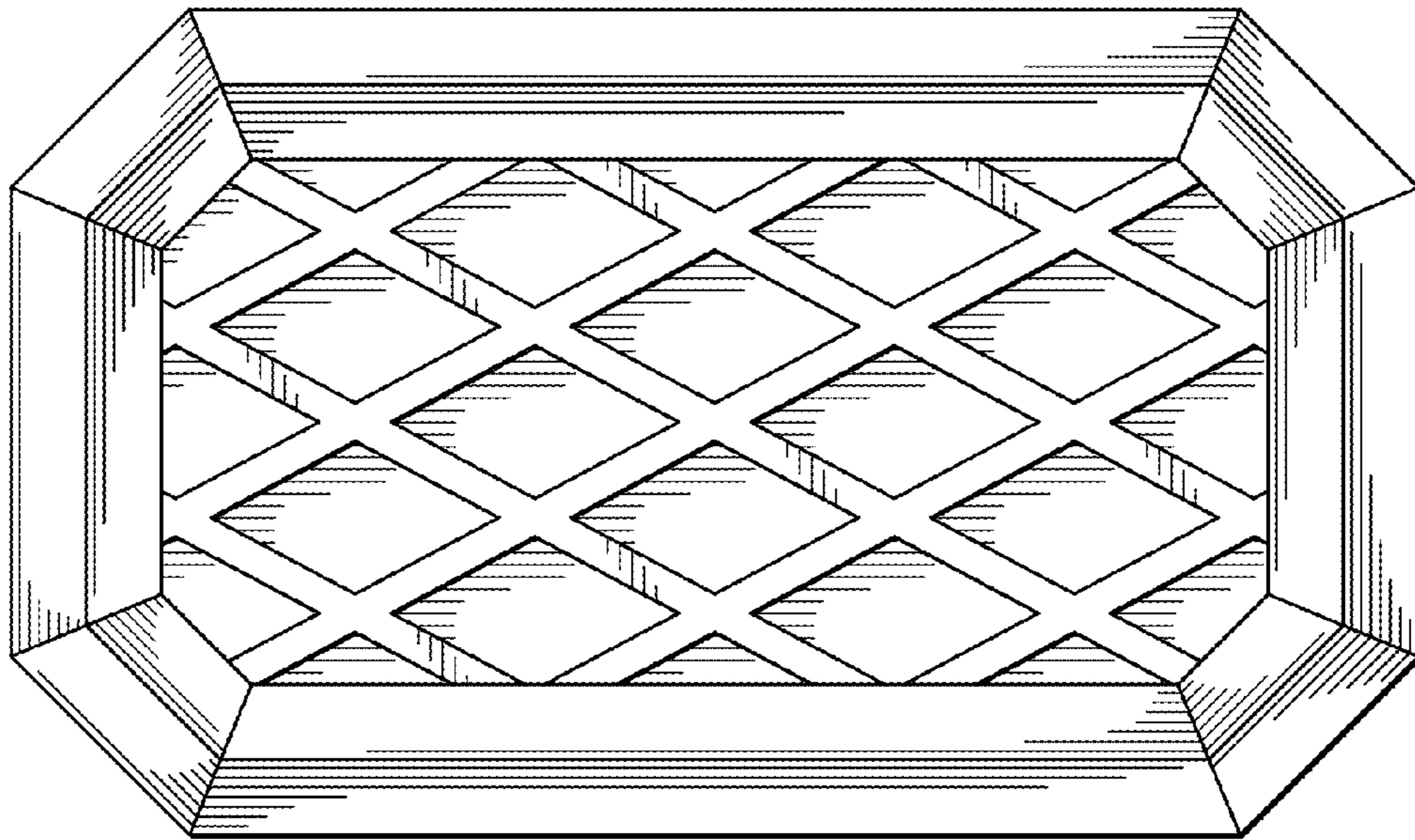


FIG. 4

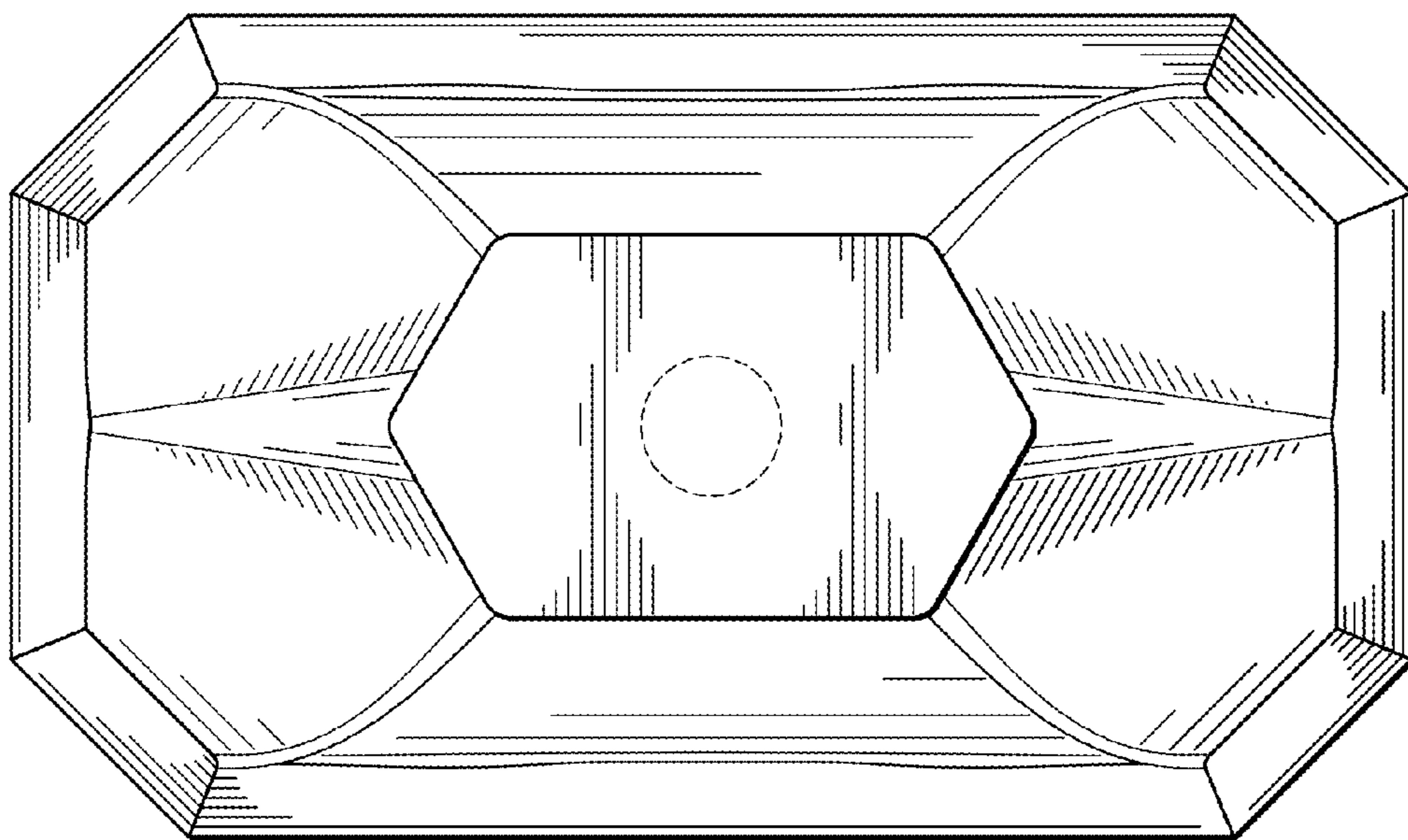


FIG. 5