



US00D679977S

(12) **United States Design Patent**
Ramsland et al.

(10) **Patent No.:** **US D679,977 S**

(45) **Date of Patent:** **** Apr. 16, 2013**

(54) **CABINET KNOB**

(75) Inventors: **Warren Ramsland**, Hillsborough, NJ
(US); **Christine Zimmer**, Hillsborough,
NJ (US)

(73) Assignee: **Top Knobs USA, Inc.**, Hillsborough, NJ
(US)

(**) Term: **14 Years**

(21) Appl. No.: **29/416,389**

(22) Filed: **Mar. 21, 2012**

(51) **LOC (9) Cl.** **08-06**

(52) **U.S. Cl.**
USPC **D8/307**

(58) **Field of Classification Search** D8/300,
D8/305, 307, 310, DIG. 1; D23/250, 254;
D6/549; D7/393; 16/110.1, 412, 414, 417,
16/441; 292/336.3, 347

See application file for complete search history.

(56) **References Cited**

U.S. PATENT DOCUMENTS

2,796,627	A	*	6/1957	Heyer	16/417
D185,283	S	*	5/1959	Heyer	D8/307
D213,865	S	*	4/1969	Sonnenleiter	D8/307
D274,690	S	*	7/1984	Cesaroni	D8/310
D357,851	S	*	5/1995	Off	D8/310
D382,480	S	*	8/1997	Wacker	D9/435

D452,413	S	*	12/2001	Rae	D7/393
D541,619	S	*	5/2007	Ricereto	D8/307
D542,622	S	*	5/2007	Ricereto	D8/307
D543,088	S	*	5/2007	Ricereto	D8/310
D568,713	S	*	5/2008	Ricereto	D8/305
D570,184	S	*	6/2008	Ricereto	D8/307
D579,303	S	*	10/2008	Schneider	D8/307
D580,769	S	*	11/2008	Lloyd et al.	D9/529
D581,767	S	*	12/2008	Thompson	D8/313
D586,733	S	*	2/2009	Shinohara	D12/588
D598,267	S	*	8/2009	Menzies	D8/307
D602,332	S	*	10/2009	Hanes	D8/307
D606,381	S	*	12/2009	Menzies	D8/307
D645,723	S	*	9/2011	Roe et al.	D8/307

* cited by examiner

Primary Examiner — Paula Greene

(74) *Attorney, Agent, or Firm* — Schultz & Associates, P.C.

(57) **CLAIM**

The ornamental design for a cabinet knob, as shown and described.

DESCRIPTION

FIG. 1 is a perspective view of a cabinet knob showing my new design;

FIG. 2 is a side elevation view thereof;

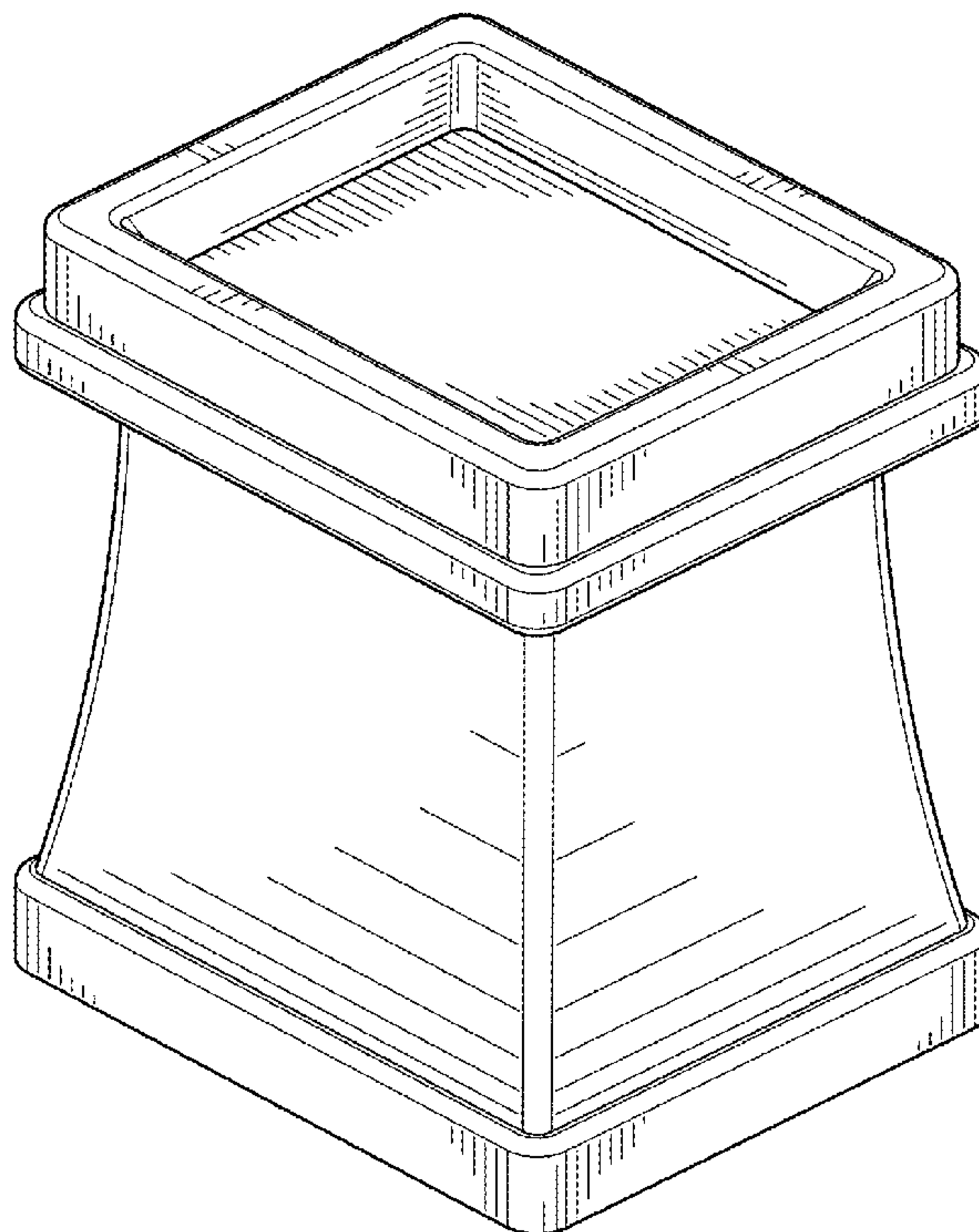
FIG. 3 is a side elevation view thereof;

FIG. 4 is a top plan view thereof; and,

FIG. 5 is a bottom plan view thereof.

The broken lines shown represent unclaimed subject matter and form no part of the claimed design.

1 Claim, 3 Drawing Sheets



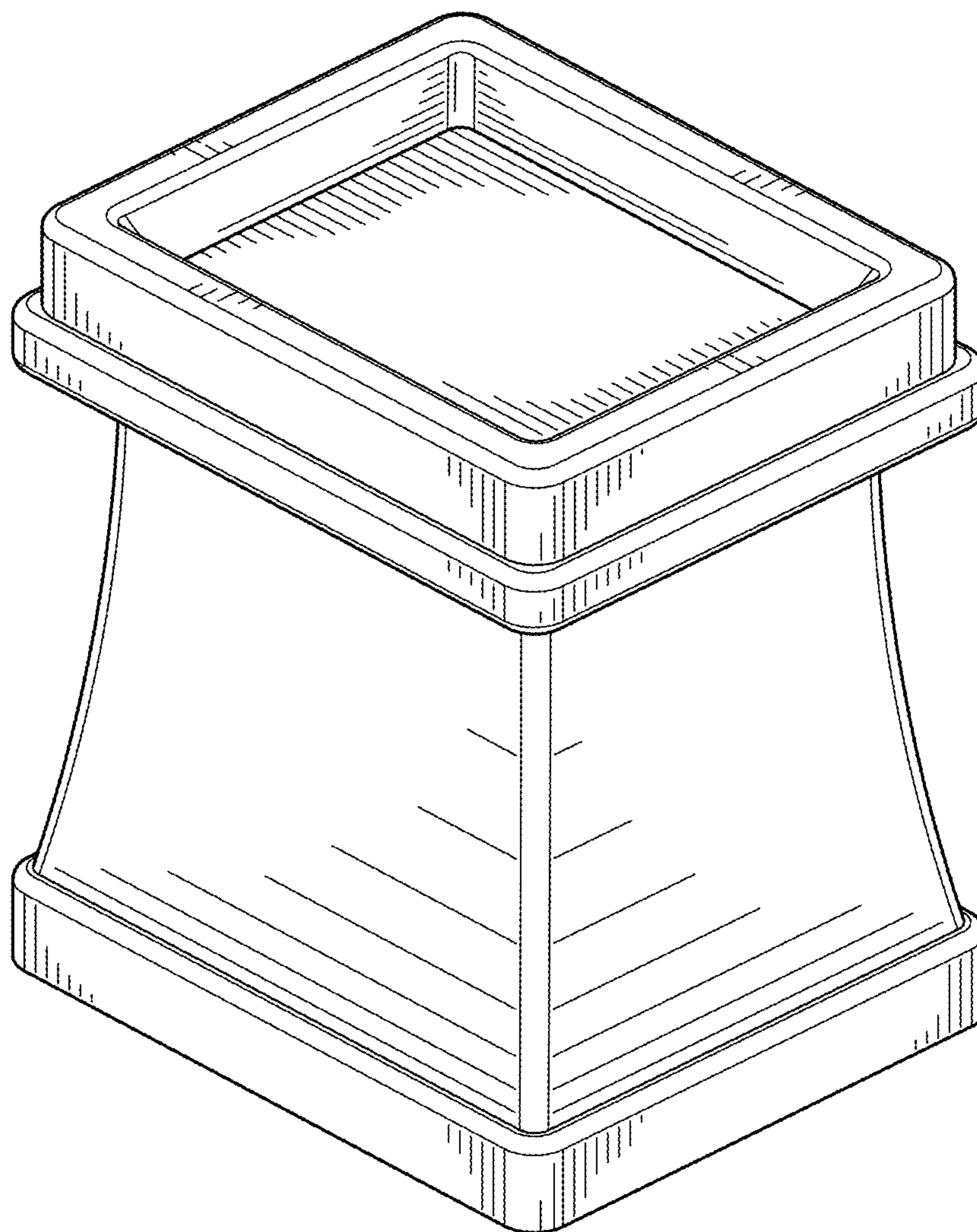


FIG. 1

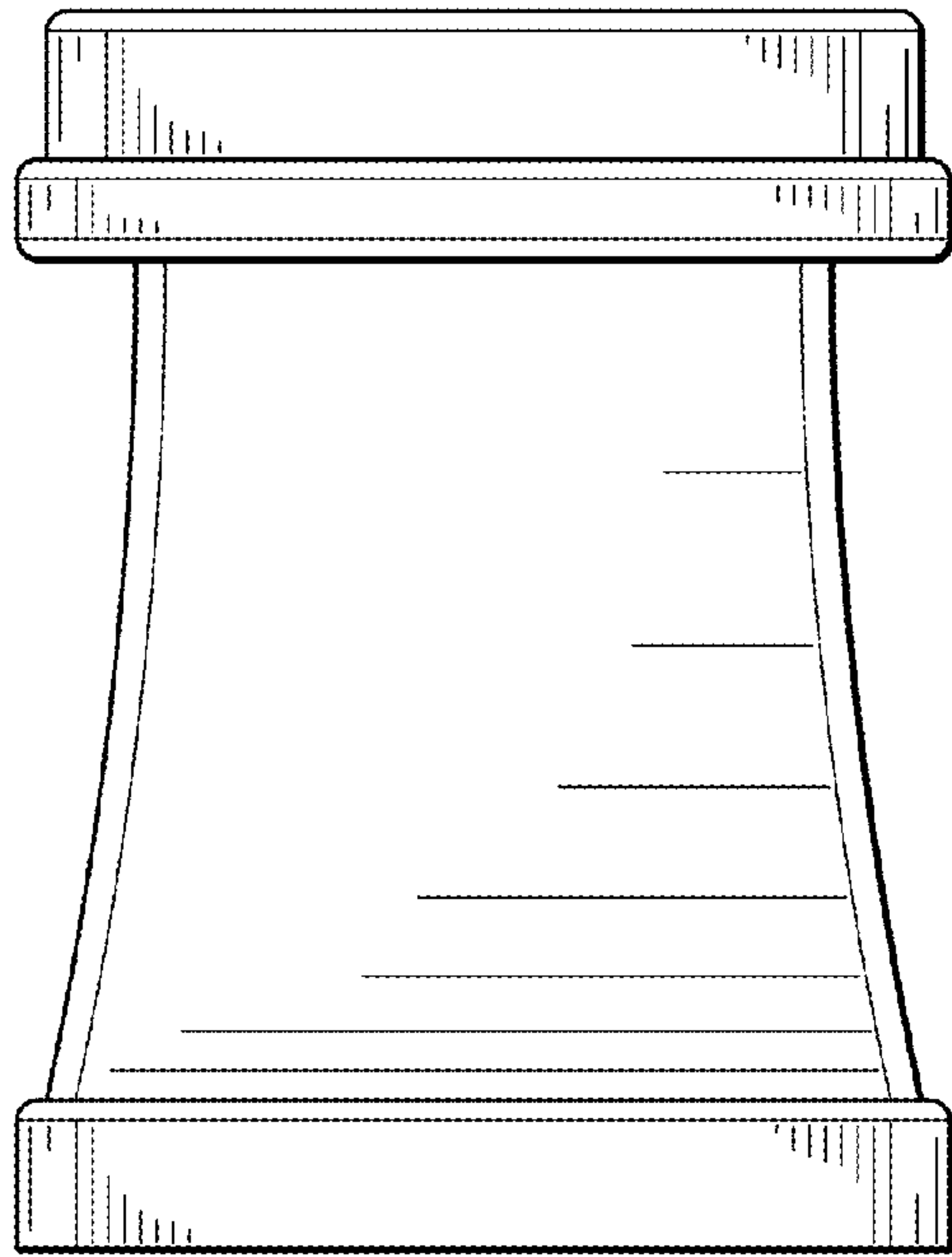


FIG. 2

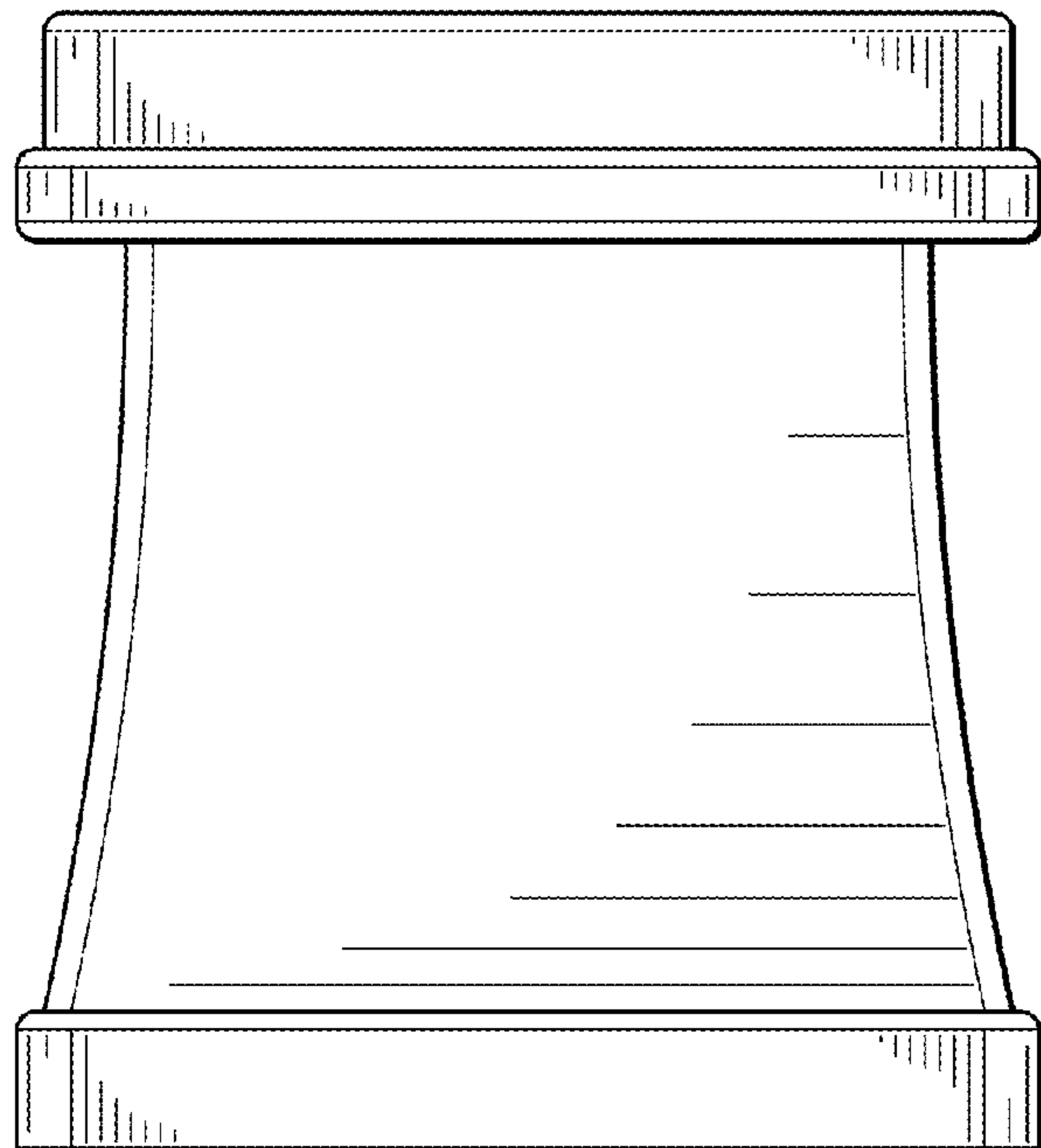


FIG. 3

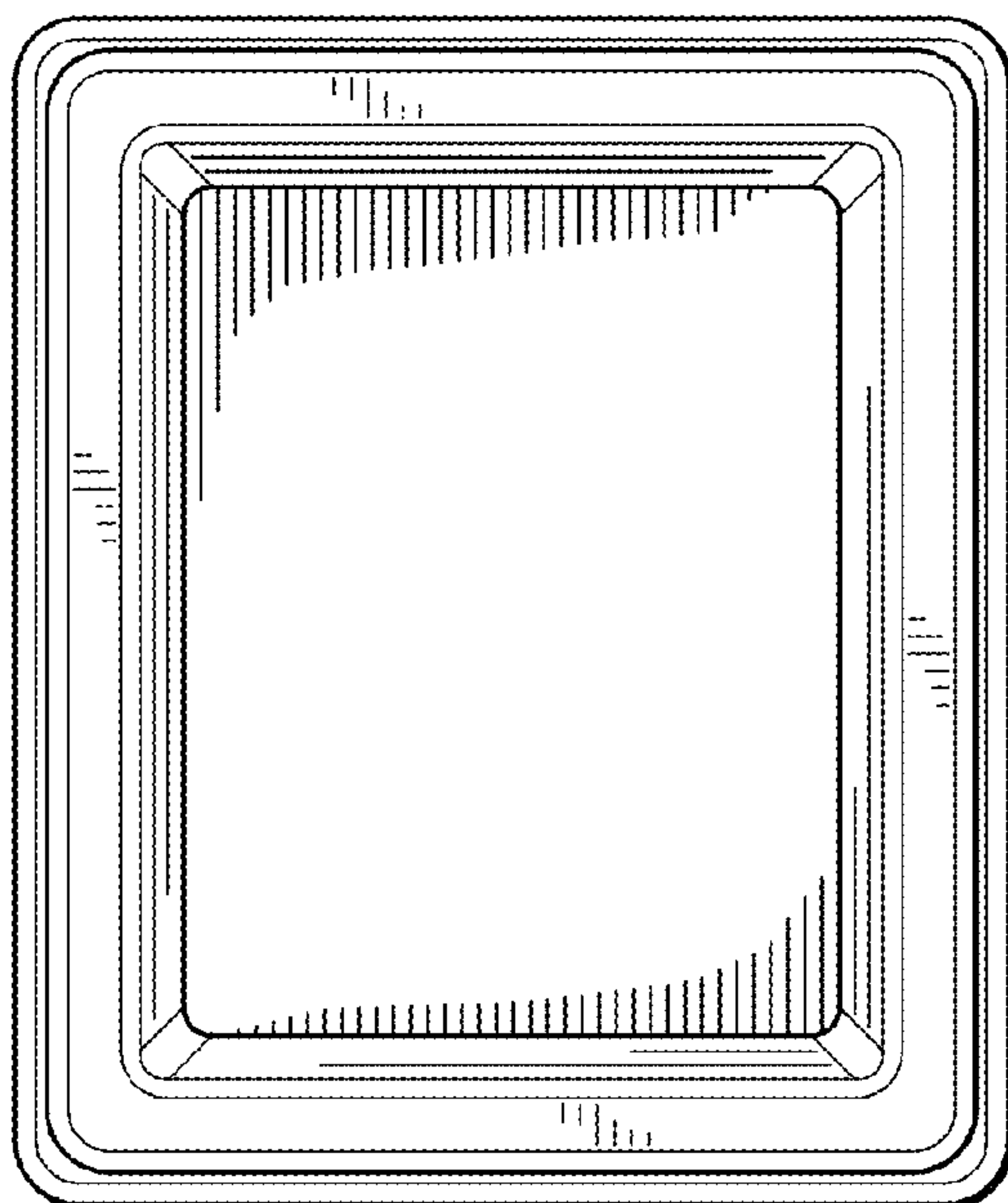


FIG. 4

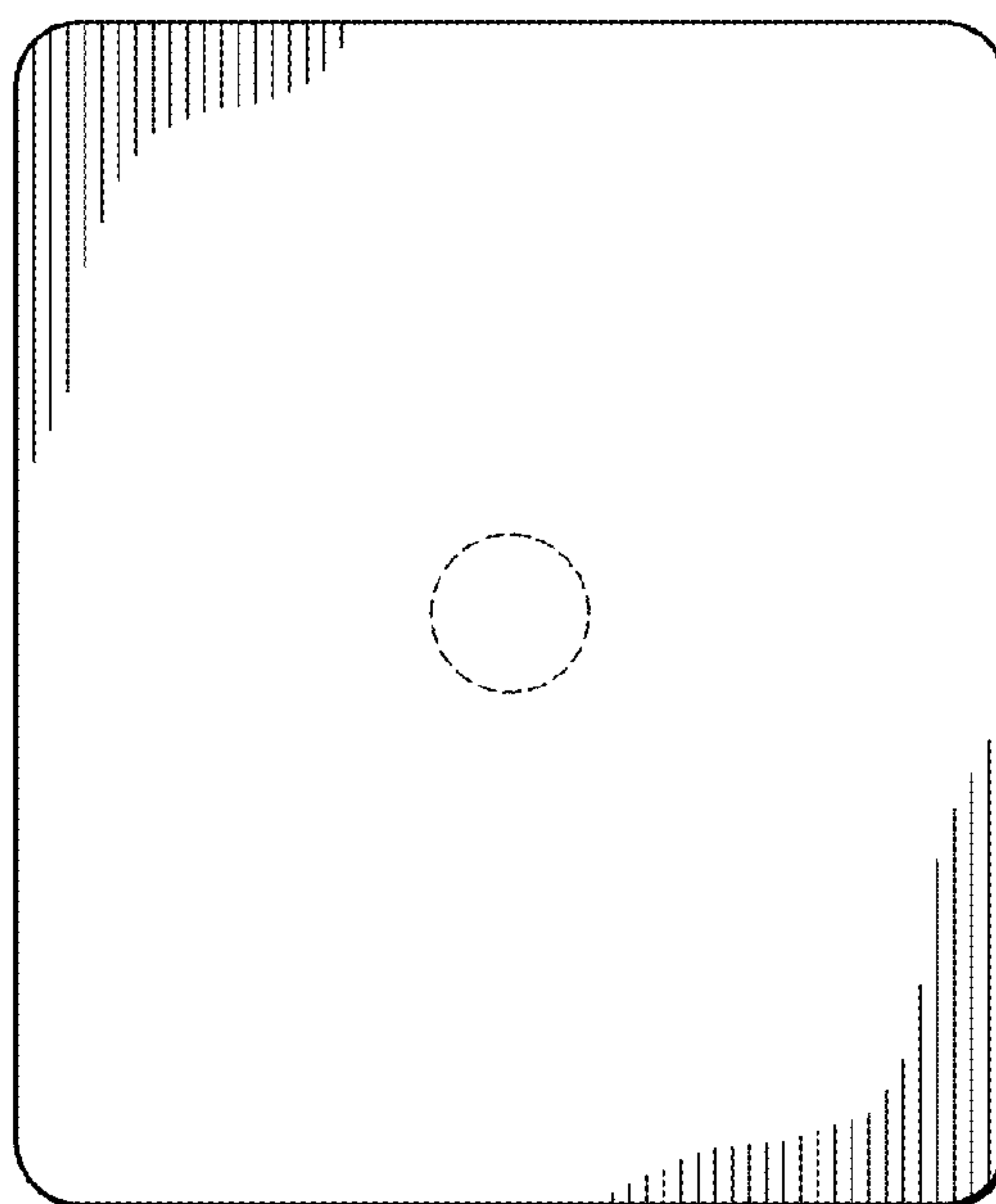


FIG. 5