



US00D679975S

(12) **United States Design Patent**
Pelton

(10) **Patent No.:** **US D679,975 S**

(45) **Date of Patent:** **** Apr. 16, 2013**

- (54) **KNIFE**
- (75) Inventor: **Robert Young Pelton**, Bonsall, CA (US)
- (73) Assignee: **DPX Ventures Limited**, Ras Al Khaimah (AE)
- (**) Term: **14 Years**
- (21) Appl. No.: **29/413,761**
- (22) Filed: **Feb. 20, 2012**

- D369,287 S * 4/1996 Seber et al. D8/98
- D371,289 S * 7/1996 Huang D8/107
- 5,642,567 A 7/1997 Lin
- D385,471 S * 10/1997 Seber et al. D8/99
- 5,727,325 A 3/1998 Mussell
- D393,405 S * 4/1998 Seber et al. D8/99
- 6,009,581 A 1/2000 Davis et al.
- 6,009,582 A 1/2000 Harrison et al.
- 6,009,584 A 1/2000 Padden
- D422,669 S * 4/2000 Elishewitz D22/118

(Continued)

Related U.S. Application Data

- (63) Continuation-in-part of application No. 13/312,965, filed on Dec. 6, 2011.
 - (51) **LOC (9) Cl.** **08-03**
 - (52) **U.S. Cl.**
USPC **D8/98**; D22/118
 - (58) **Field of Classification Search** D8/20,
D8/95-99, 105, 107; D22/118; 30/123,
30/154-162; 7/106, 118
- See application file for complete search history.

References Cited

U.S. PATENT DOCUMENTS

- 1,455,621 A 5/1923 Joyner
- D141,321 S 5/1945 Gallagher
- 3,760,438 A * 9/1973 White 7/106
- D230,696 S * 3/1974 Eskilstuma et al. D8/99
- 4,363,147 A 12/1982 Deweese
- 4,442,559 A 4/1984 Collins
- 4,553,279 A 11/1985 Gassew et al.
- 4,622,707 A 11/1986 Finn
- 4,817,221 A 4/1989 Ryan
- 4,821,356 A 4/1989 Finn
- 5,259,281 A 11/1993 Burke

OTHER PUBLICATIONS

Ontario Hest Original Fixed Blade. Downloaded from <http://www.sears.com/ontario-hest-original-fixed-blade/p-SPM6596962201?prdNo=2&bl...> on Nov. 16, 2012.*

(Continued)

Primary Examiner — Philip S Hyder
Assistant Examiner — Roselynn Cody
(74) *Attorney, Agent, or Firm* — ARC IP Law, PC; Joseph J. Mayo

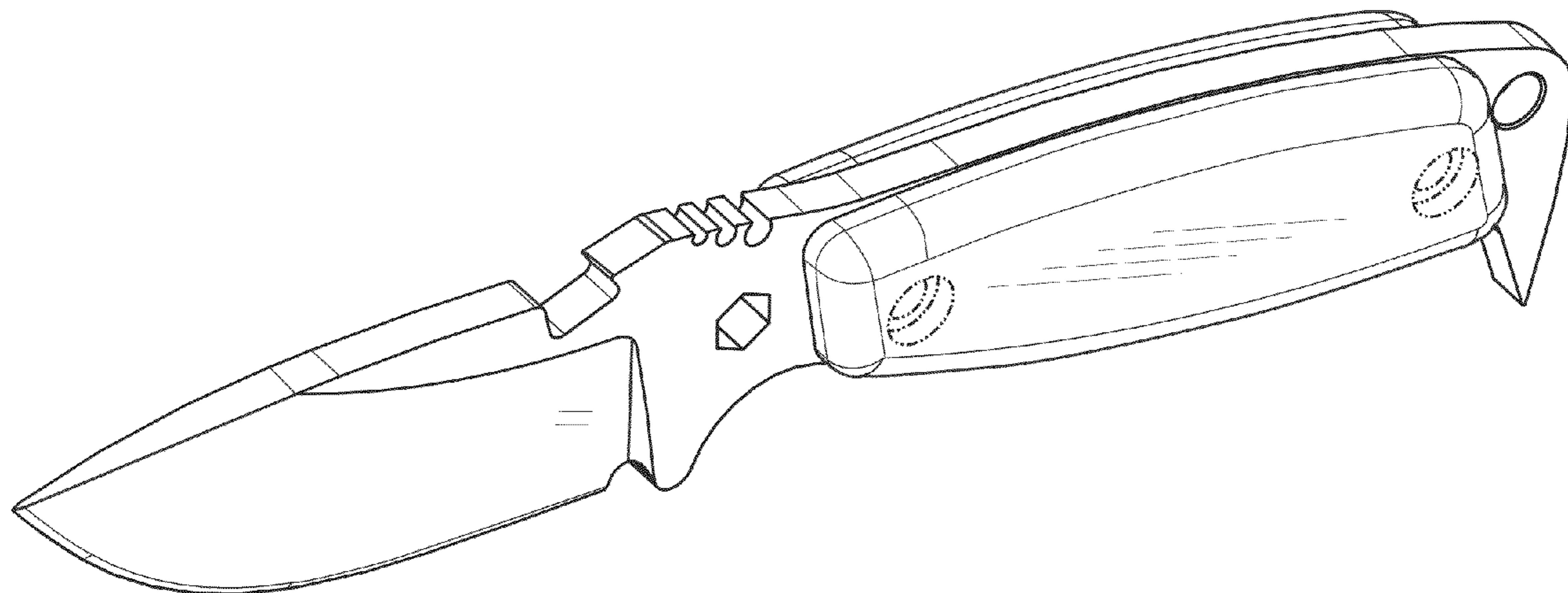
CLAIM

(57) The ornamental design for a knife, as shown and described.

DESCRIPTION

FIG. 1 is a side perspective view of knife in an open position. FIG. 2 is a left side view of the knife as shown in FIG. 1. FIG. 3 is a right side view of the knife as shown in FIG. 1. FIG. 4 is a top view of the knife as shown in FIG. 1. FIG. 5 is a bottom view of the knife as shown in FIG. 1. FIG. 6 is a front view of the knife as shown in FIG. 1; and, FIG. 7 is a rear view of the knife as shown in FIG. 1.

1 Claim, 4 Drawing Sheets



US D679,975 S

Page 2

U.S. PATENT DOCUMENTS

D425,389 S * 5/2000 Elishewitz D8/98
6,318,218 B1 11/2001 Anderson et al.
6,347,875 B1 2/2002 Painsith
6,574,816 B2 * 6/2003 Yu Chen 7/100
6,782,576 B1 8/2004 Valencic et al.
6,957,466 B2 10/2005 Rivera
D553,468 S * 10/2007 Freeman D8/99
7,337,486 B2 3/2008 Tsuda et al.
7,360,267 B2 4/2008 Quenzi
D609,992 S 2/2010 Delaney
D614,933 S * 5/2010 Freeman et al. D8/107

D653,520 S * 2/2012 Chang D8/99
2008/0222895 A1 * 9/2008 Marfione et al. 30/151
2012/0017443 A1 * 1/2012 Hao 30/161

OTHER PUBLICATIONS

“Microtech Troodon Double Edge OTF Knife, Beadblast Plain Edge, 138-7” BladeOps, LLC, 2 pages, retrieved on Feb. 23, 2012.
CRKT “ExiTool—Designed by Russ Kommer”, Columbia River Knife & Tool Inc., 2 pages, retrieved on Feb. 23, 2012.

* cited by examiner

FIGURE 1

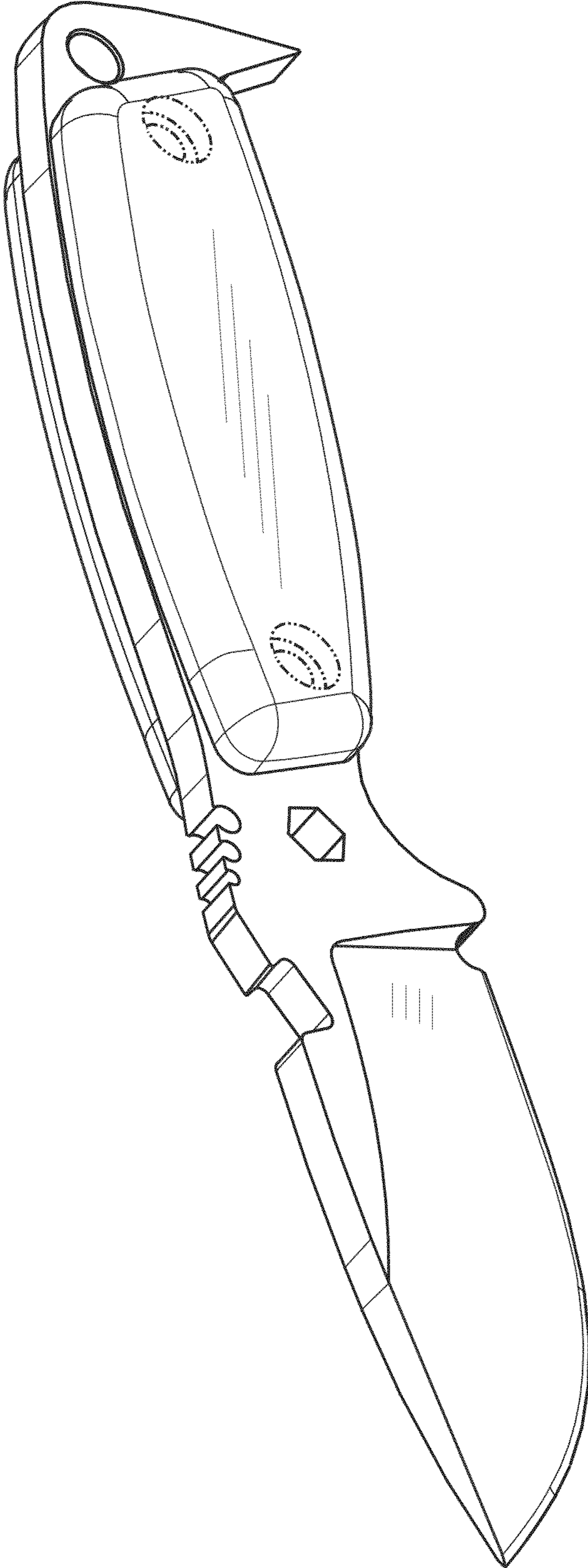


FIGURE 2

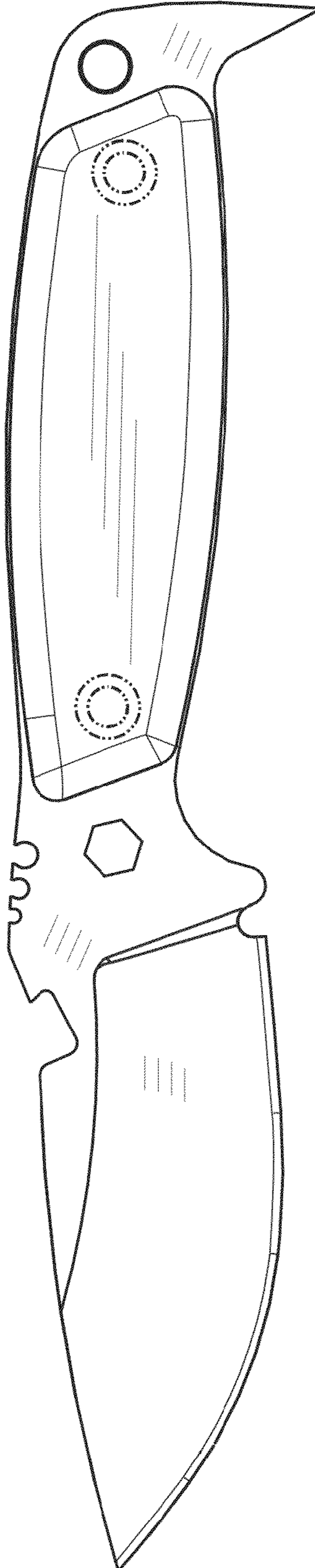


FIGURE 3

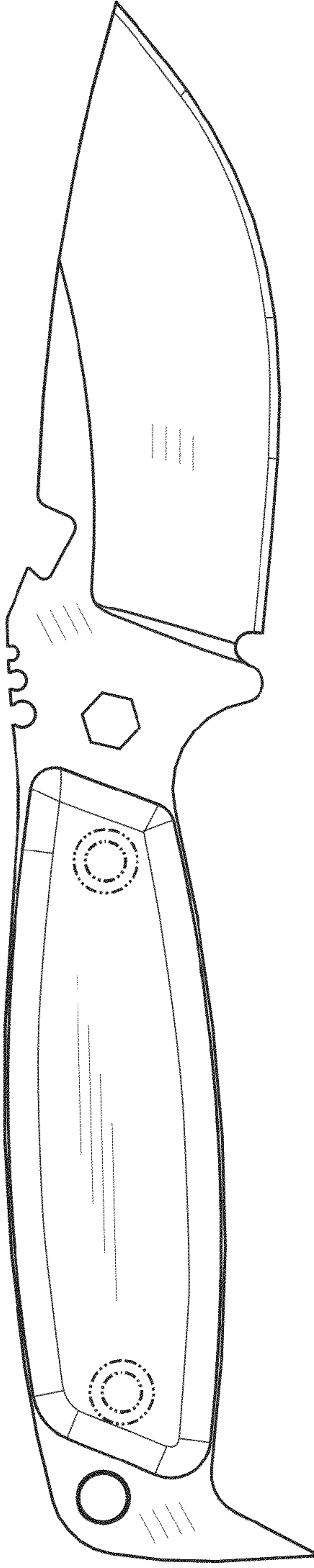


FIGURE 4

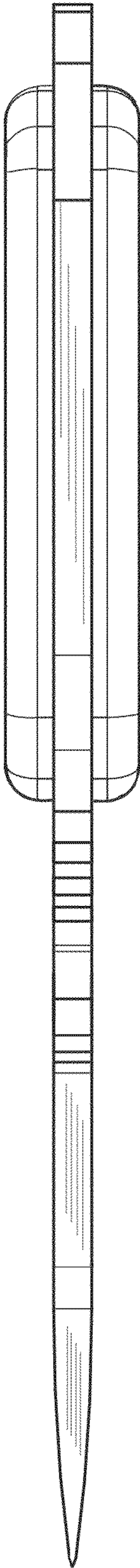


FIGURE 5

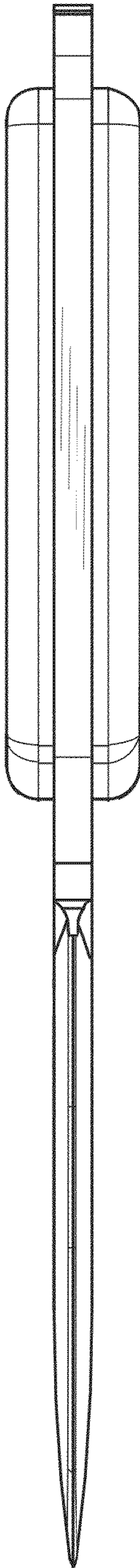


FIGURE 7

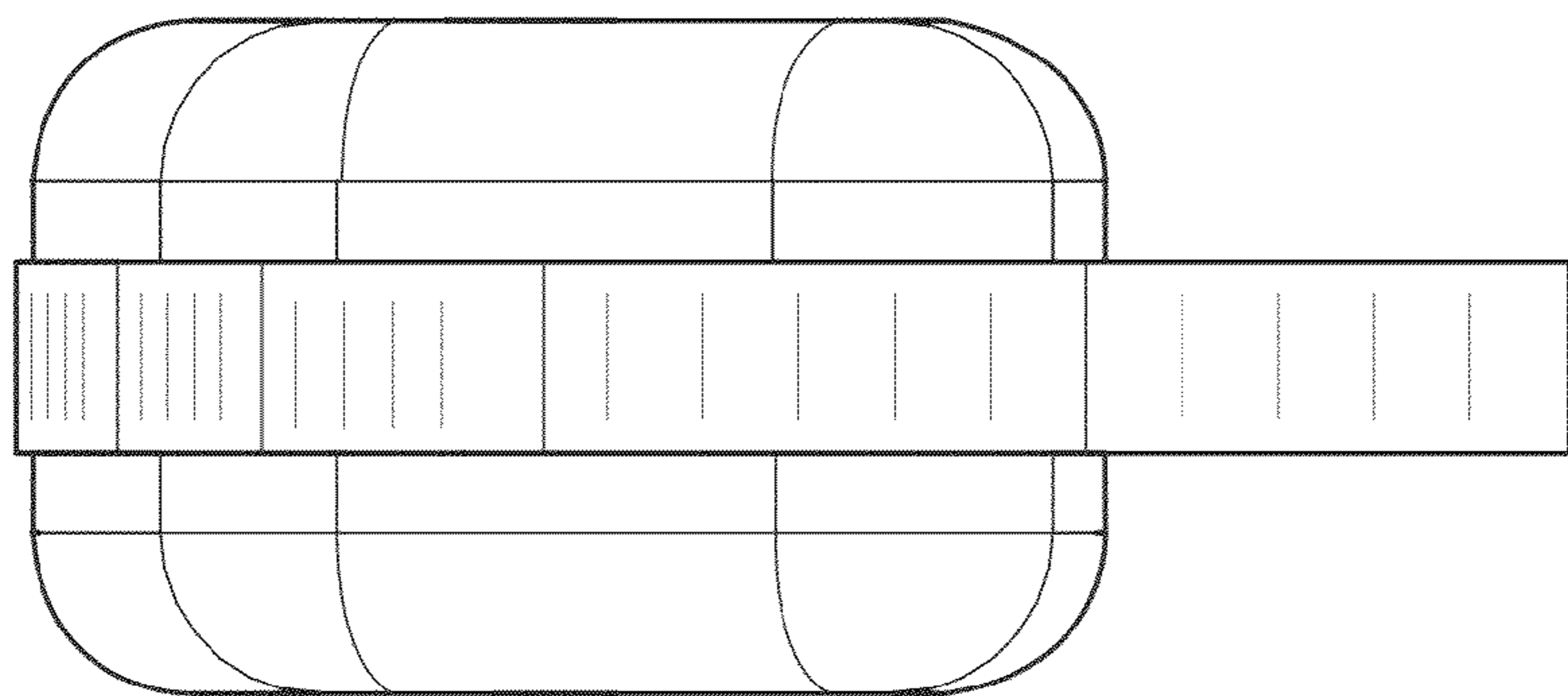


FIGURE 6

