



US00D679974S

(12) **United States Design Patent**  
**Wu**

(10) **Patent No.:** **US D679,974 S**  
(45) **Date of Patent:** **\*\* Apr. 16, 2013**

(54) **ATTACHMENT TYPE SHARPENING TOOL**

(75) Inventor: **Shih-Piao Wu**, Changhua Hsien (TW)

(73) Assignee: **Jiin Haur Industrial Co., Ltd.**,  
Changhua Hsien (TW)

(\*\*) Term: **14 Years**

(21) Appl. No.: **29/414,602**

(22) Filed: **Mar. 1, 2012**

(51) **LOC (9) Cl.** ..... **08-05**

(52) **U.S. Cl.**  
USPC ..... **D8/93**

(58) **Field of Classification Search** ..... D8/63,  
D8/90-94; 76/82, 84, 86-89; 451/45, 552,  
451/555-558

See application file for complete search history.

(56) **References Cited**

**U.S. PATENT DOCUMENTS**

2,432,231	A *	12/1947	Elphee	.....	451/555
D151,323	S *	10/1948	Chapin et al.	.....	D8/93
D151,324	S *	10/1948	Chapin et al.	.....	D8/93
D169,539	S *	5/1953	Folli	.....	D8/63
2,834,230	A *	5/1958	Tengberg	.....	76/88
3,589,214	A *	6/1971	Lindsay	.....	76/88
4,388,780	A *	6/1983	Rees	.....	451/282
D335,075	S *	4/1993	Martin	.....	D8/93
D390,084	S *	2/1998	McCabe, Jr.	.....	D8/62
D432,385	S *	10/2000	Milani et al.	.....	D8/91
6,470,929	B2 *	10/2002	Fregeolle	.....	144/28.72
D473,777	S *	4/2003	Thompson et al.	.....	D8/93
D481,285	S *	10/2003	Moeller et al.	.....	D8/93
D491,786	S *	6/2004	Waltzer	.....	D8/93
7,153,200	B1 *	12/2006	Wu	.....	451/344
D537,698	S *	3/2007	Hasegawa	.....	D8/91
7,189,142	B2 *	3/2007	Da Batista	.....	451/8

D541,615	S *	5/2007	Wu	.....	D8/93
D575,125	S *	8/2008	Smith	.....	D8/63
D604,133	S *	11/2009	Smith	.....	D8/63
D618,532	S *	6/2010	Wu	.....	D8/71
2004/0219868	A1 *	11/2004	Ikegaki et al.	.....	451/185
2012/0108150	A1 *	5/2012	Bagley	.....	451/45

**OTHER PUBLICATIONS**

Knife Sharpener With Suction Pad. Downloaded at <http://www.jiinhourcom.tw/productsinfo.php?KindID=3&ID=39> on Jun. 9, 2012.\*

Kocera DS-50 Knife Sharpener. Downloaded at [http://www.google.com/products/catalog?hl=en&cp=9&gs\\_id=r&xhr=t&q=sharpener&bav...](http://www.google.com/products/catalog?hl=en&cp=9&gs_id=r&xhr=t&q=sharpener&bav...) on Jun. 9, 2012.\*

\* cited by examiner

*Primary Examiner* — Philip S Hyder

*Assistant Examiner* — Roselynn Cody

(74) *Attorney, Agent, or Firm* — Alan Kamrath; Kamrath IP Lawfirm, P.A.

(57) **CLAIM**

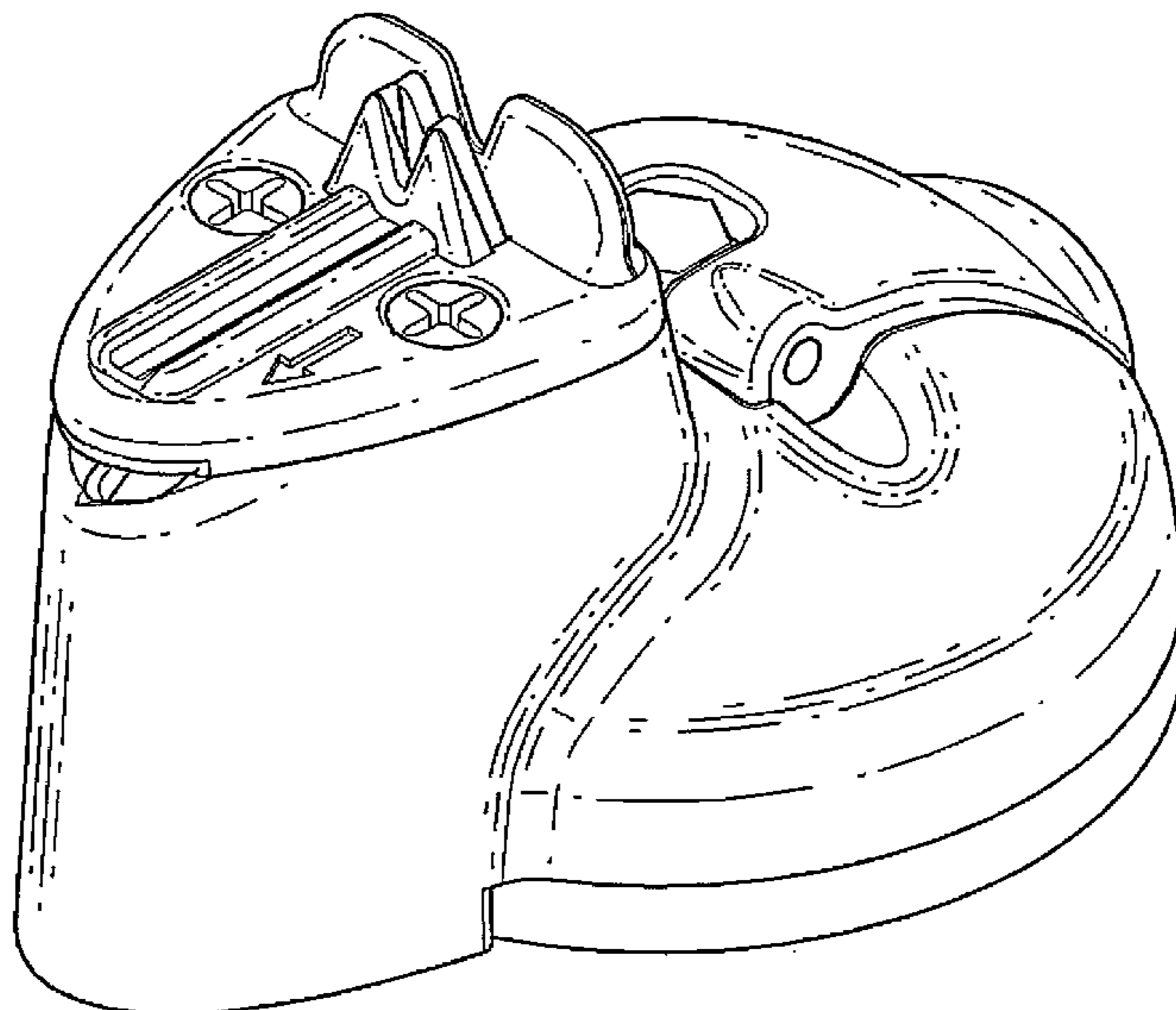
The ornamental design for an attachment type sharpening tool, as shown and described.

**DESCRIPTION**

FIG. 1 is a perspective view of an attachment type sharpening tool showing my design;  
FIG. 2 is a front elevational view thereof;  
FIG. 3 is a rear elevational view thereof;  
FIG. 4 is a left side elevational view thereof;  
FIG. 5 is a right side elevational view thereof;  
FIG. 6 is a top plan view thereof; and,  
FIG. 7 is a bottom plan view thereof.

The broken lines in the drawings illustrate features that form no part of the claim.

**1 Claim, 7 Drawing Sheets**



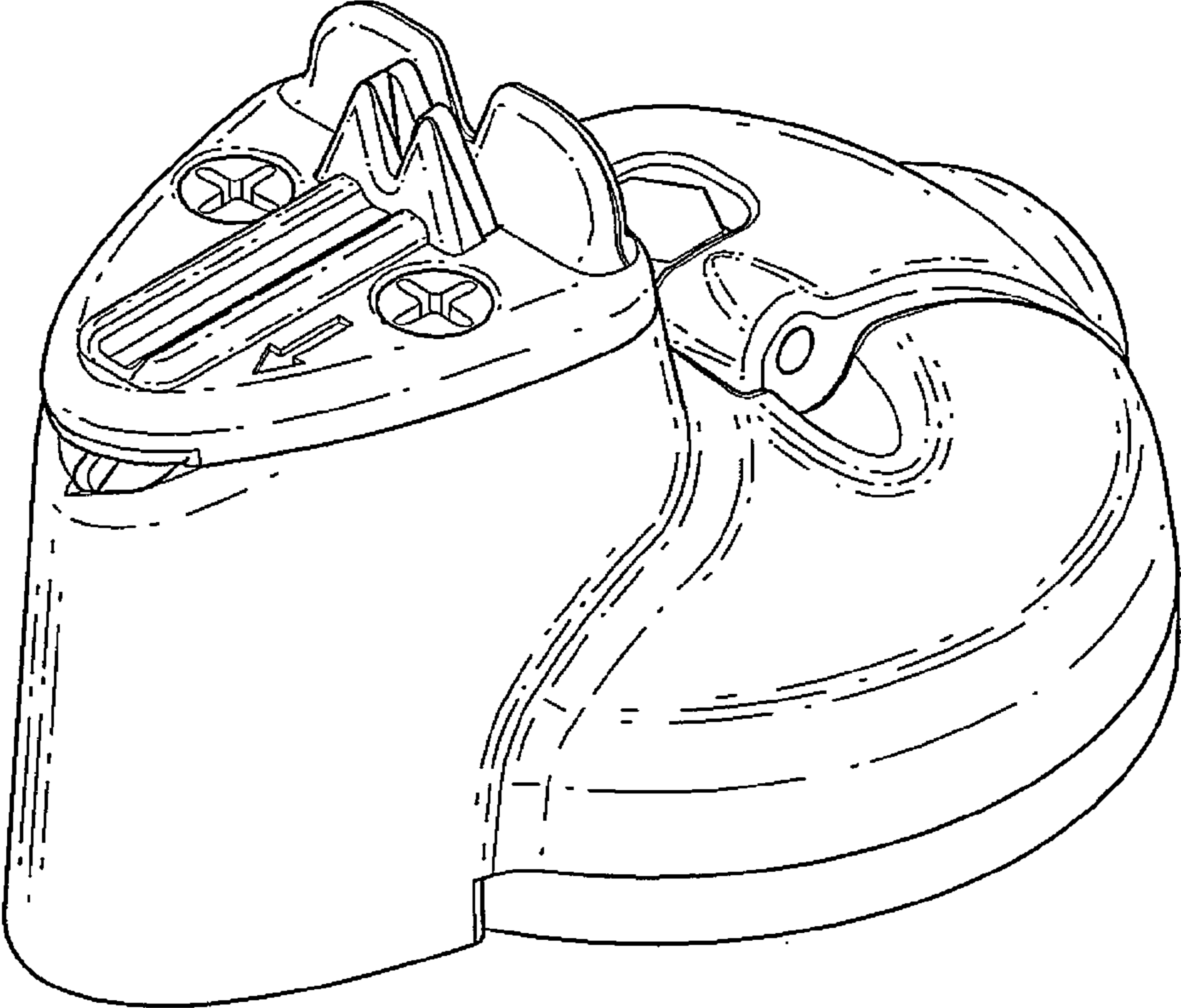


FIG. 1

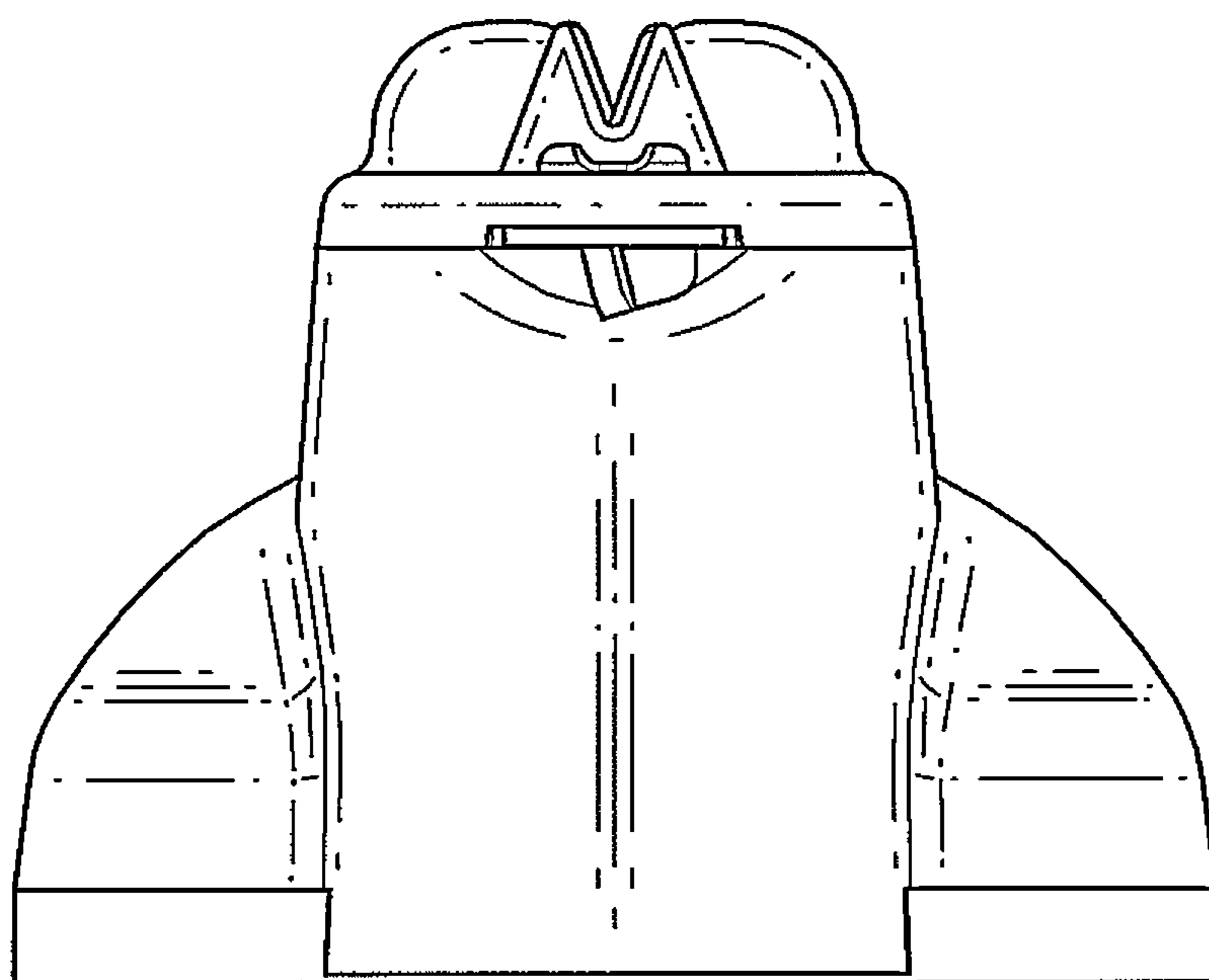


FIG. 2

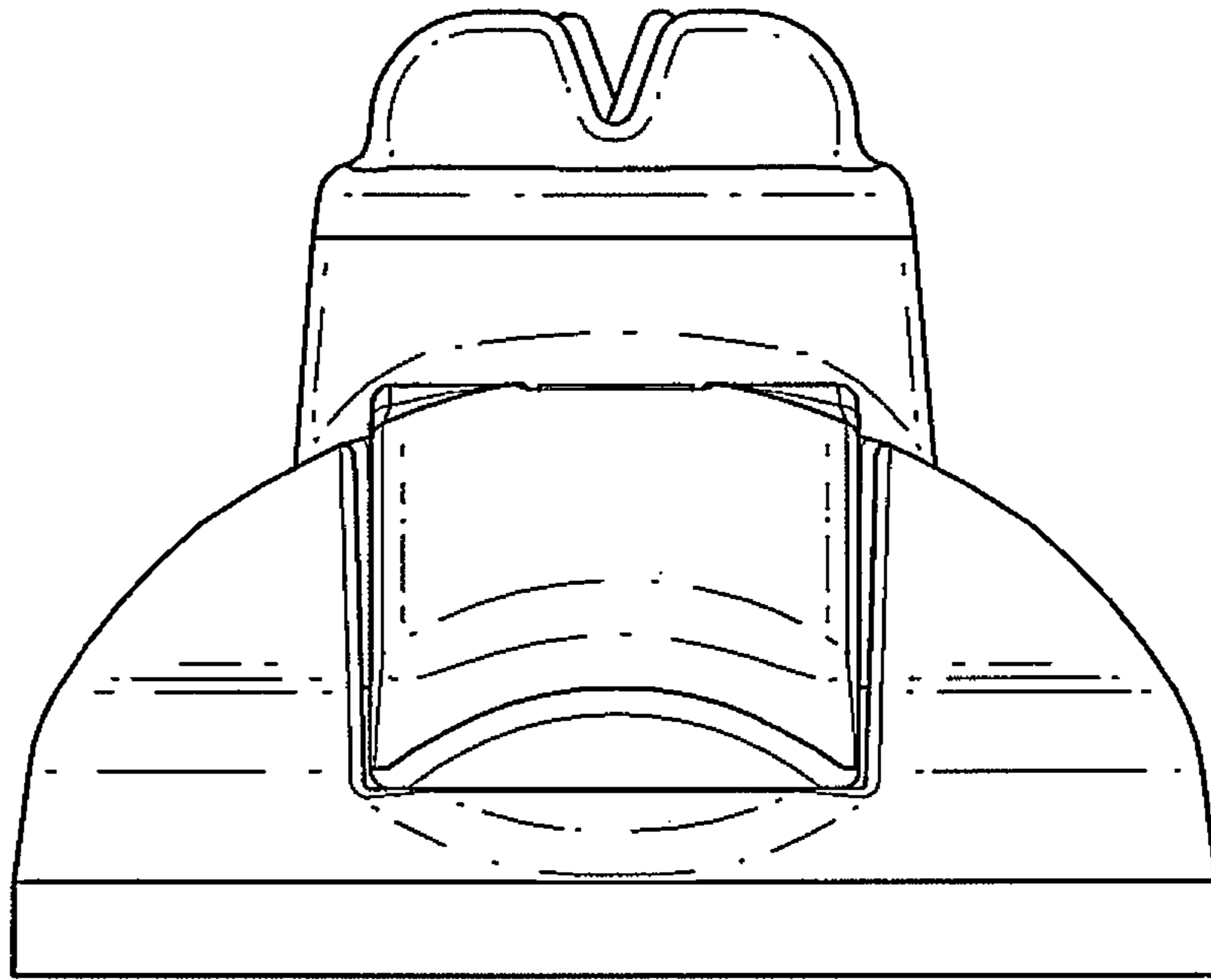


FIG. 3

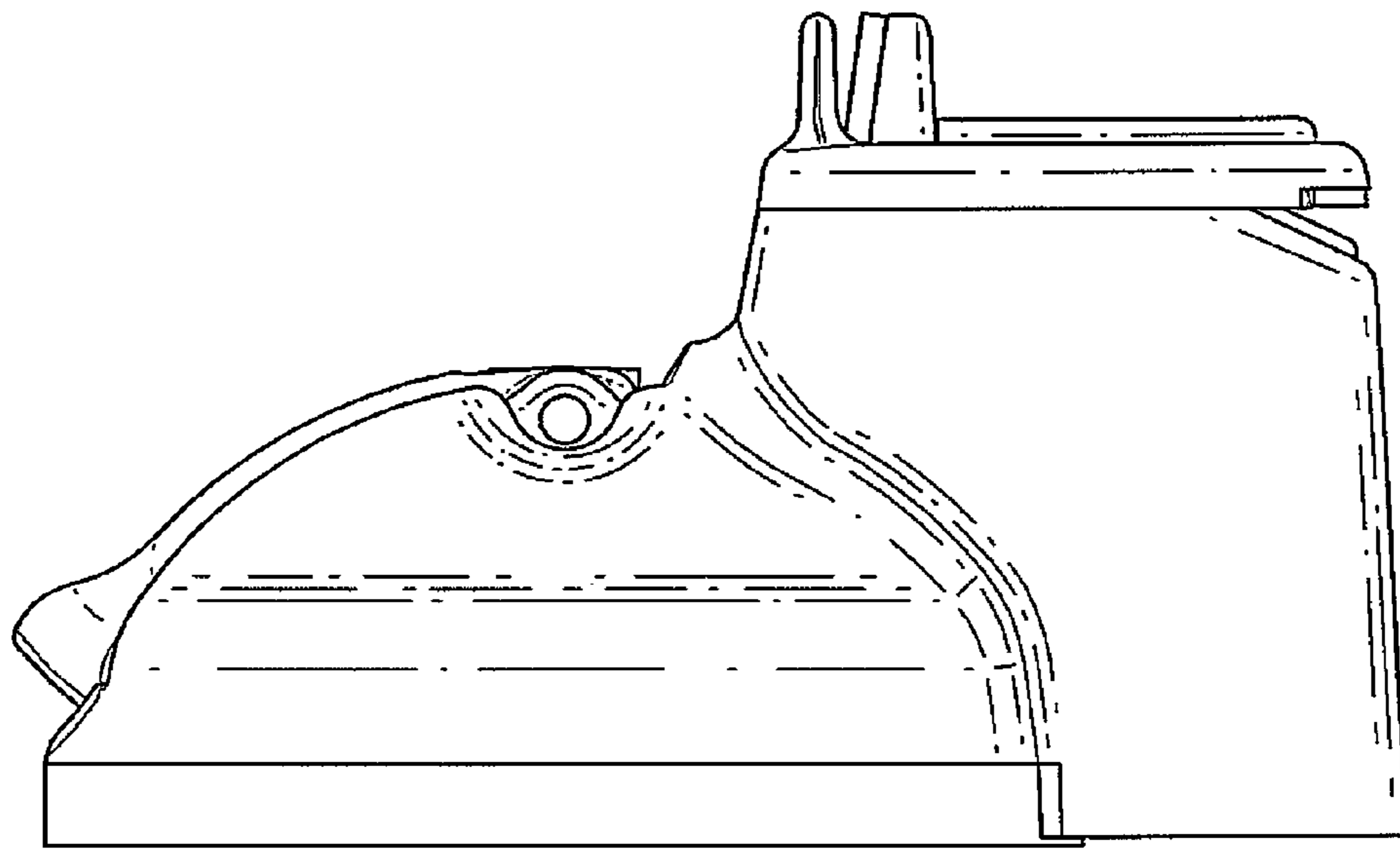


FIG. 4

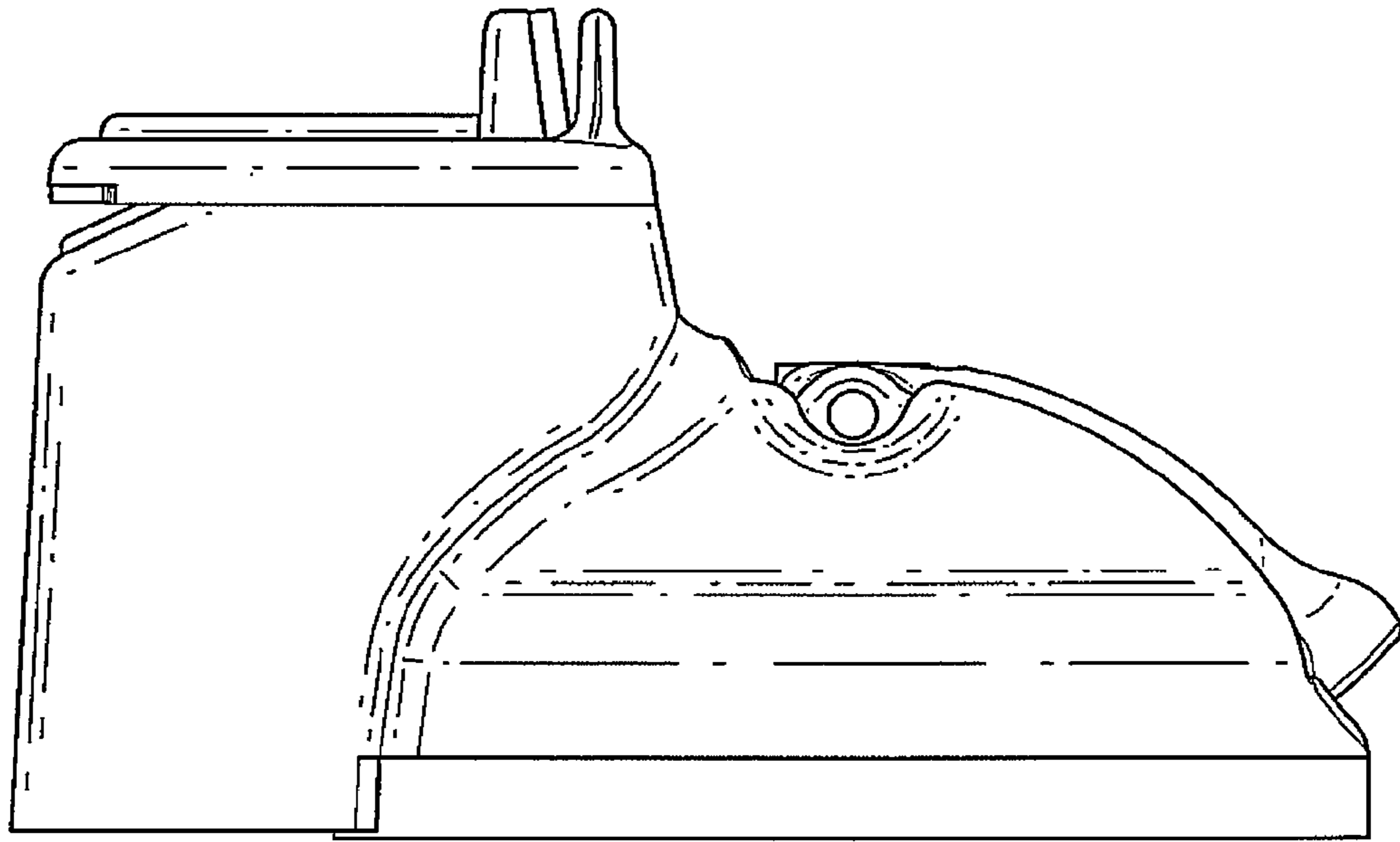


FIG. 5

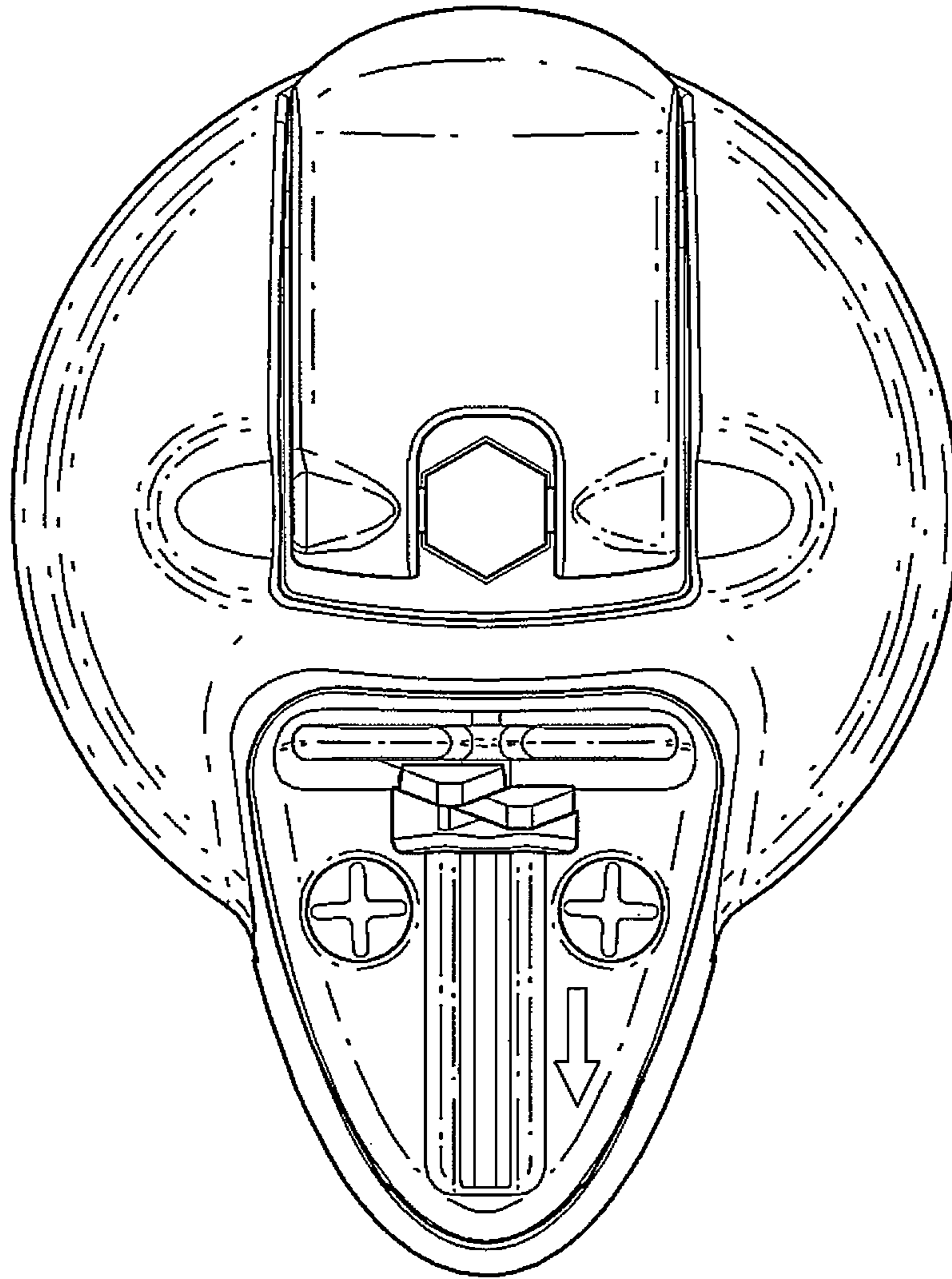


FIG. 6

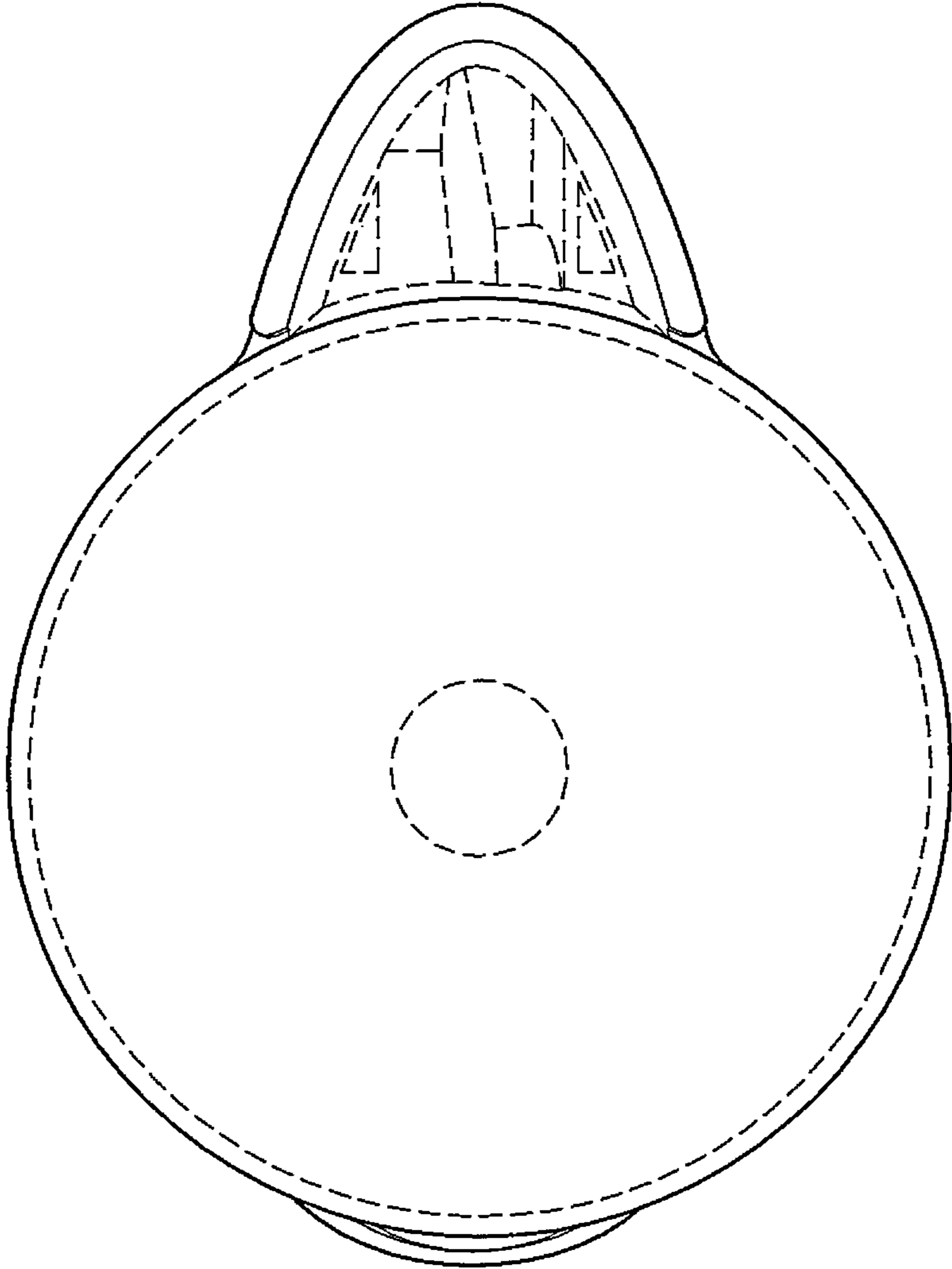


FIG. 7