



US00D679973S

(12) **United States Design Patent**
Burris

(10) **Patent No.:** **US D679,973 S**

(45) **Date of Patent:** **** *Apr. 16, 2013**

(54) **LOAD SECUREMENT DEVICE**

(76) Inventor: **Andrew D. Burris**, Beaufort, SC (US)

(*) Notice: This patent is subject to a terminal disclaimer.

(**) Term: **14 Years**

(21) Appl. No.: **29/415,911**

(22) Filed: **Mar. 15, 2012**

Related U.S. Application Data

(63) Continuation-in-part of application No. 12/587,296, filed on Oct. 5, 2009, now abandoned.

(51) **LOC (9) Cl.** **08-05**

(52) **U.S. Cl.**
USPC **D8/44**

(58) **Field of Classification Search** D8/44,
D8/336, 338, 356; 24/68 CD, 68 CT, 68 E,
24/68 R, 68 TT, 163 R, 168-170; 254/217-220,
254/223, 247-248; 410/100; 70/18, 58
See application file for complete search history.

(56) **References Cited**

U.S. PATENT DOCUMENTS

700,158	A *	5/1902	Stoneman	70/64
4,199,182	A *	4/1980	Sunesson	24/68 CD
D328,840	S *	8/1992	Jensen	D8/44
5,271,606	A *	12/1993	Kamper	254/217

6,880,810	B1 *	4/2005	Hu	254/218
7,100,902	B1 *	9/2006	Lu	254/218
7,281,701	B1 *	10/2007	Huang	254/218
7,293,760	B1 *	11/2007	Chang	254/218
7,444,718	B1 *	11/2008	Chang	24/68 CD
7,651,072	B1 *	1/2010	Chang	254/218
7,758,023	B2 *	7/2010	Chang	254/218
7,861,382	B1 *	1/2011	Madachy et al.	24/68 CD
7,909,306	B2 *	3/2011	Adcock	254/218
2006/0177282	A1 *	8/2006	Blosser	410/106
2010/0181410	A1 *	7/2010	Ting et al.	242/395
2011/0233317	A1 *	9/2011	Chou	242/395

* cited by examiner

Primary Examiner — Philip S Hyder

Assistant Examiner — Roselynn Cody

(74) *Attorney, Agent, or Firm* — P. Jeff Martin; The Law Firm of P. Jeffrey Martin, LLC

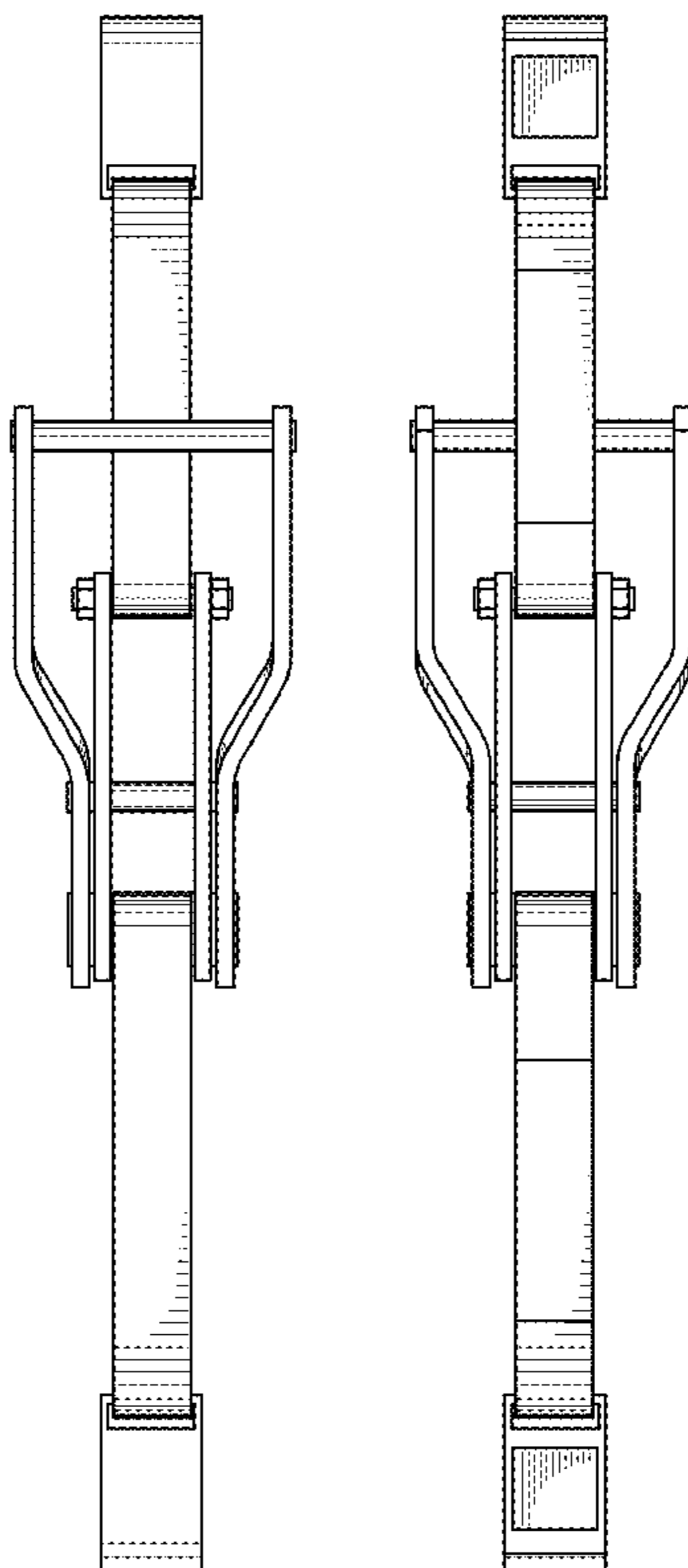
(57) **CLAIM**

The ornamental design for a load securement device, as shown and described.

DESCRIPTION

FIG. 1 is a top perspective view of a load securement device showing my new design;
FIG. 2 is a right side view thereof;
FIG. 3 is a left side view thereof;
FIG. 4 is a front view thereof;
FIG. 5 is a rear view of thereof;
FIG. 6 is a top end view thereof; and,
FIG. 7 is a bottom end view thereof.

1 Claim, 3 Drawing Sheets



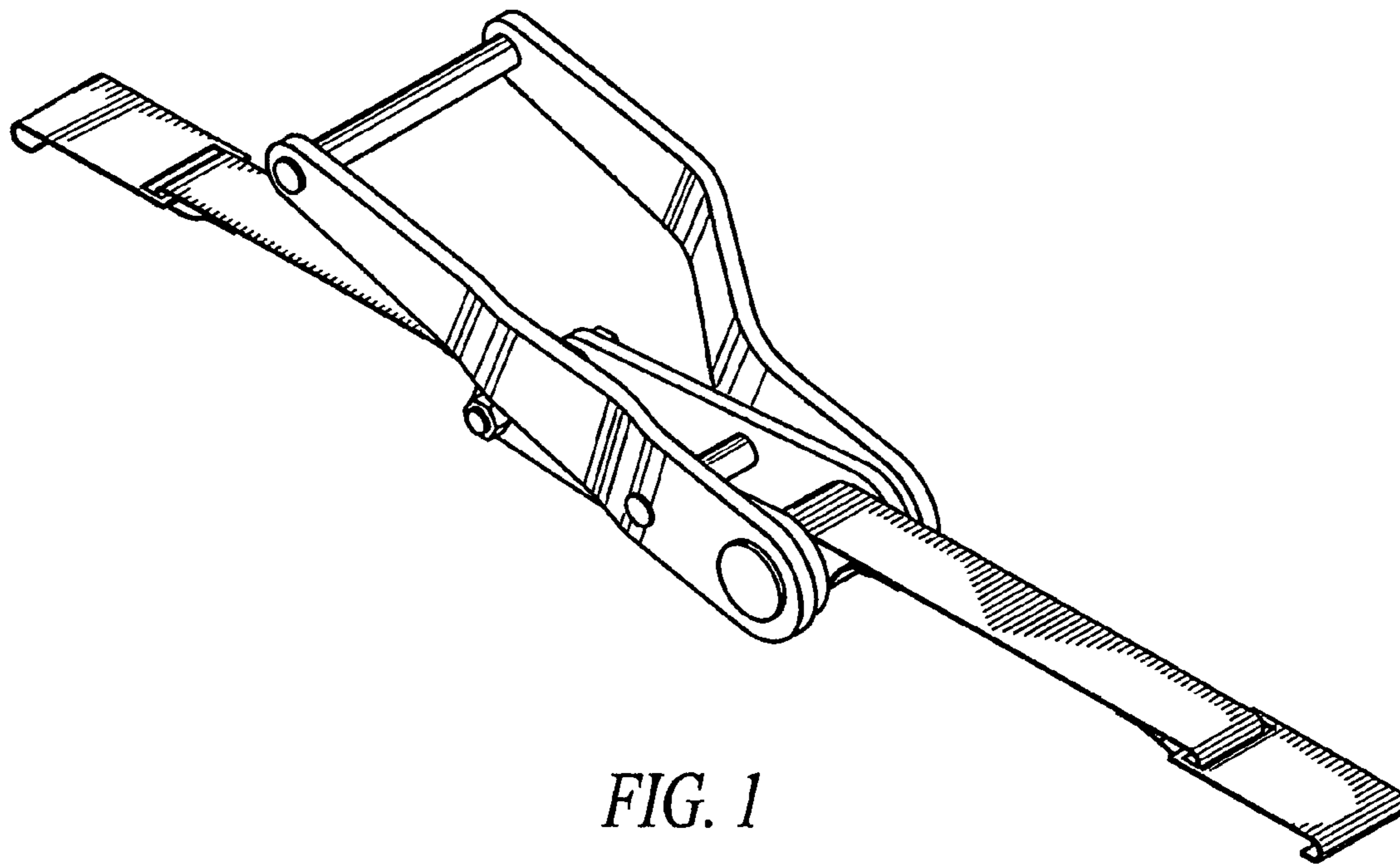


FIG. 1

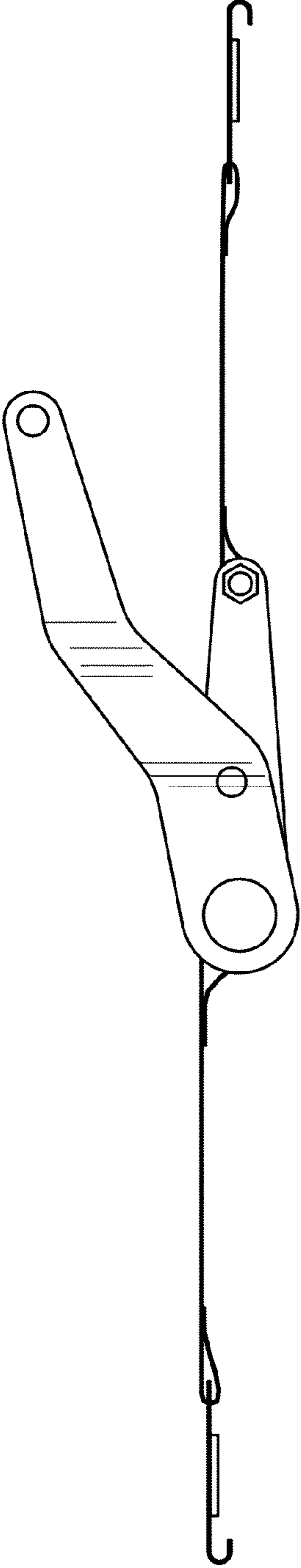


FIG. 2

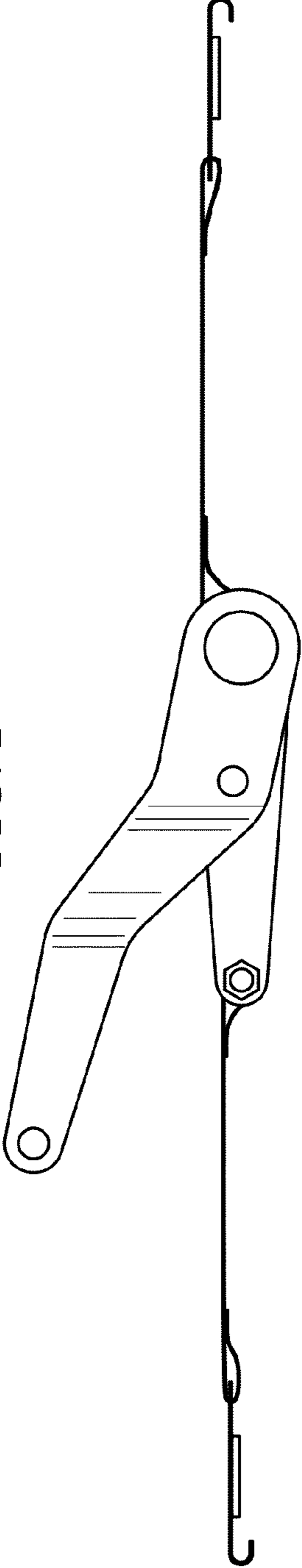


FIG. 3

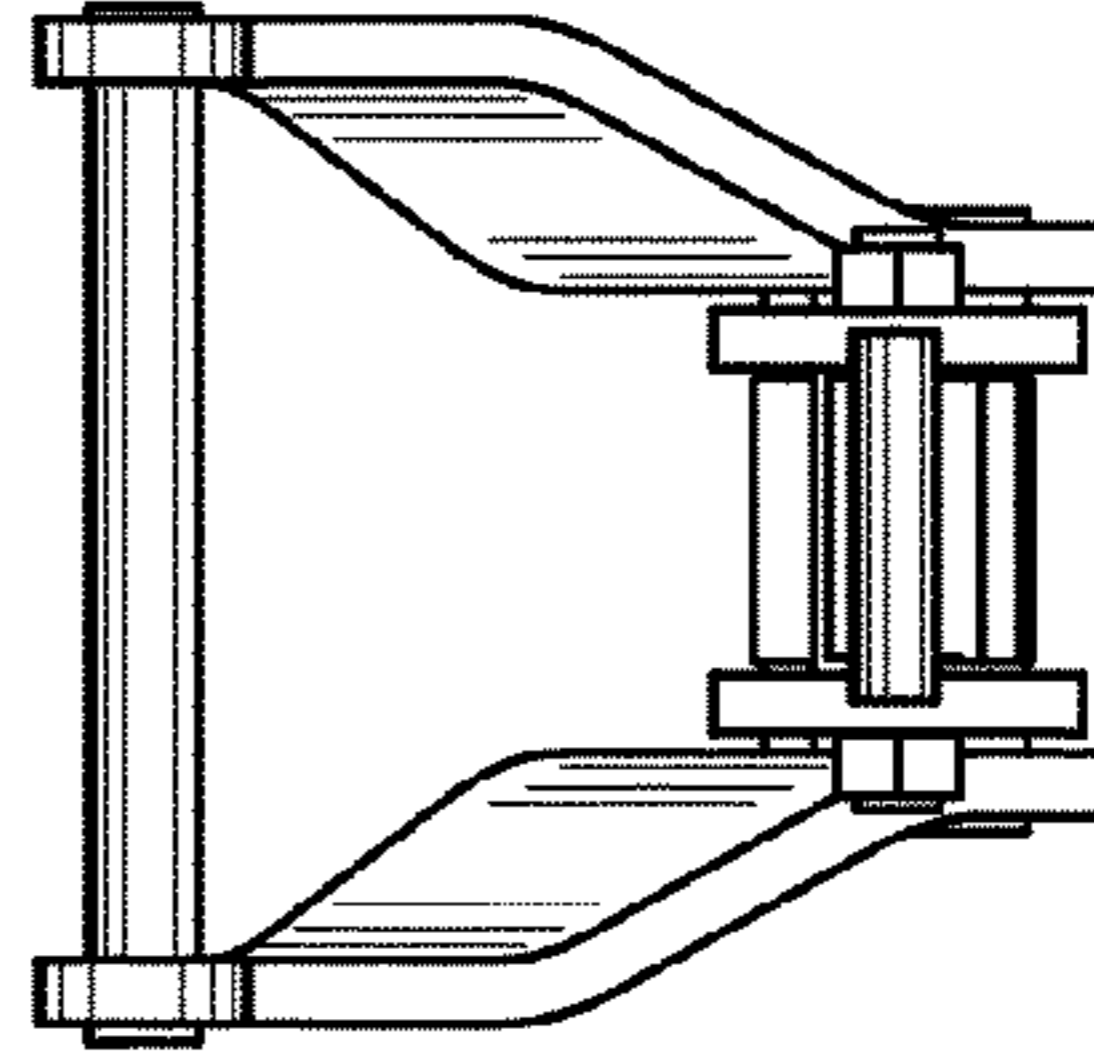


FIG. 4

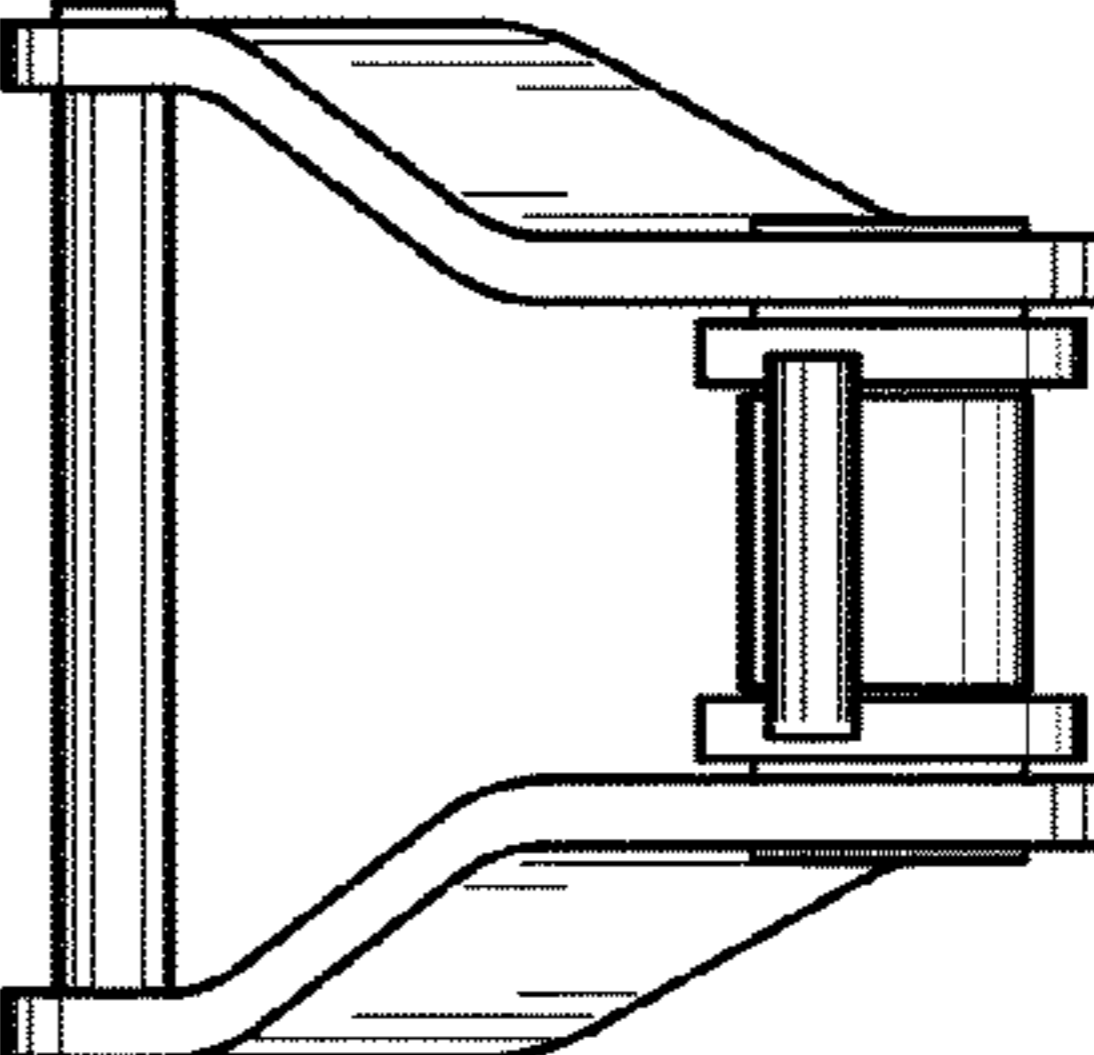


FIG. 5

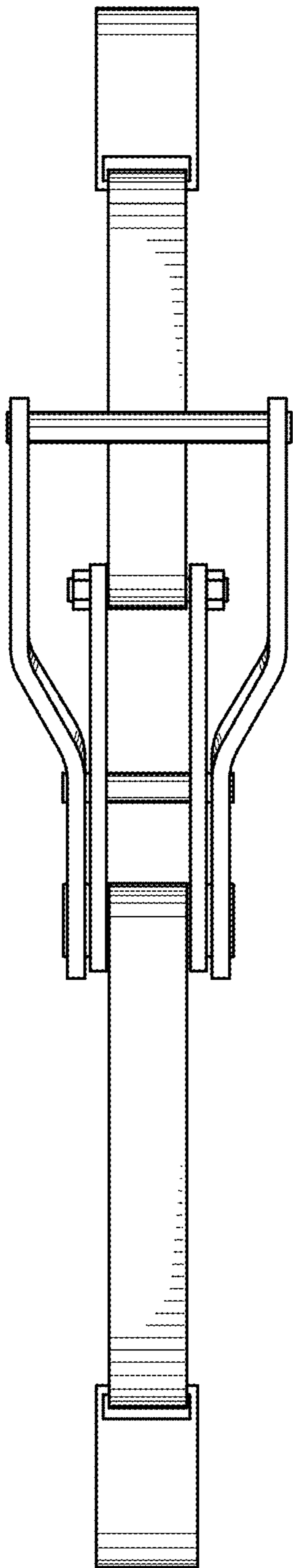


FIG. 6

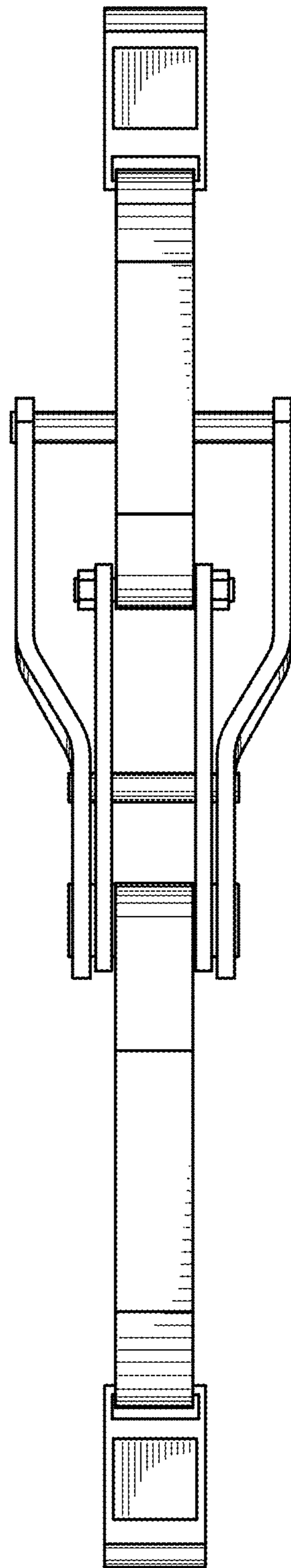


FIG. 7