



US00D679971S

(12) **United States Design Patent**  
**Weyer et al.**

(10) **Patent No.:** **US D679,971 S**

(45) **Date of Patent:** **\*\* Apr. 16, 2013**

(54) **BOTTLE OPENER**

(75) Inventors: **Leslie Weyer**, Brownsville, WI (US);  
**Bruce Weyer**, Campbellsport, WI (US)

(73) Assignee: **Tecre Co., Inc.**, Fond du Lac, WI (US)

(\*\*) Term: **14 Years**

(21) Appl. No.: **29/397,917**

(22) Filed: **Jul. 22, 2011**

(51) **LOC (9) Cl.** ..... **07-99**

(52) **U.S. Cl.**  
USPC ..... **D8/40; D3/210; D8/34**

(58) **Field of Classification Search** ..... D3/207-210;  
D8/14, 16-19, 333-43, 88, 89, 105; 7/113,  
7/151-156; 30/400-410, 416-430, 433,  
30/434, 443, 450; 81/3.07, 3.09, 3.2, 3.27,  
81/3.29, 3.31, 3.35, 3.37, 3.4, 3.45, 3.48,  
81/3.49, 3.55

See application file for complete search history.

(56) **References Cited**

**U.S. PATENT DOCUMENTS**

D256,660	S	*	9/1980	Mascia	.....	D8/40
D277,160	S	*	1/1985	Antone	.....	D8/40
D278,950	S	*	5/1985	Vaughan	.....	D8/18
D281,051	S	*	10/1985	Nielsen	.....	D8/40
D440,134	S	*	4/2001	Brix-Hansen	.....	D8/33

D443,804	S	*	6/2001	Wysopal	.....	D8/38
D458,097	S	*	6/2002	de la Guardia	.....	D8/33
D653,512	S	*	2/2012	Frazier et al.	.....	D8/40
8,141,211	B2	*	3/2012	Weyer et al.	.....	24/113 R

\* cited by examiner

*Primary Examiner* — Garth Rademaker

(74) *Attorney, Agent, or Firm* — Ryan Kromholz & Manion,  
S.C.

(57) **CLAIM**

The ornamental design for a bottle opener, as shown and described.

**DESCRIPTION**

FIG. 1 is a rear perspective view of a bottle opener.

FIG. 2 is a front perspective view thereof.

FIG. 3 is an exploded view thereof.

FIG. 4 is a rear view thereof.

FIG. 5 is a front view thereof.

FIG. 6 is a bottom view thereof.

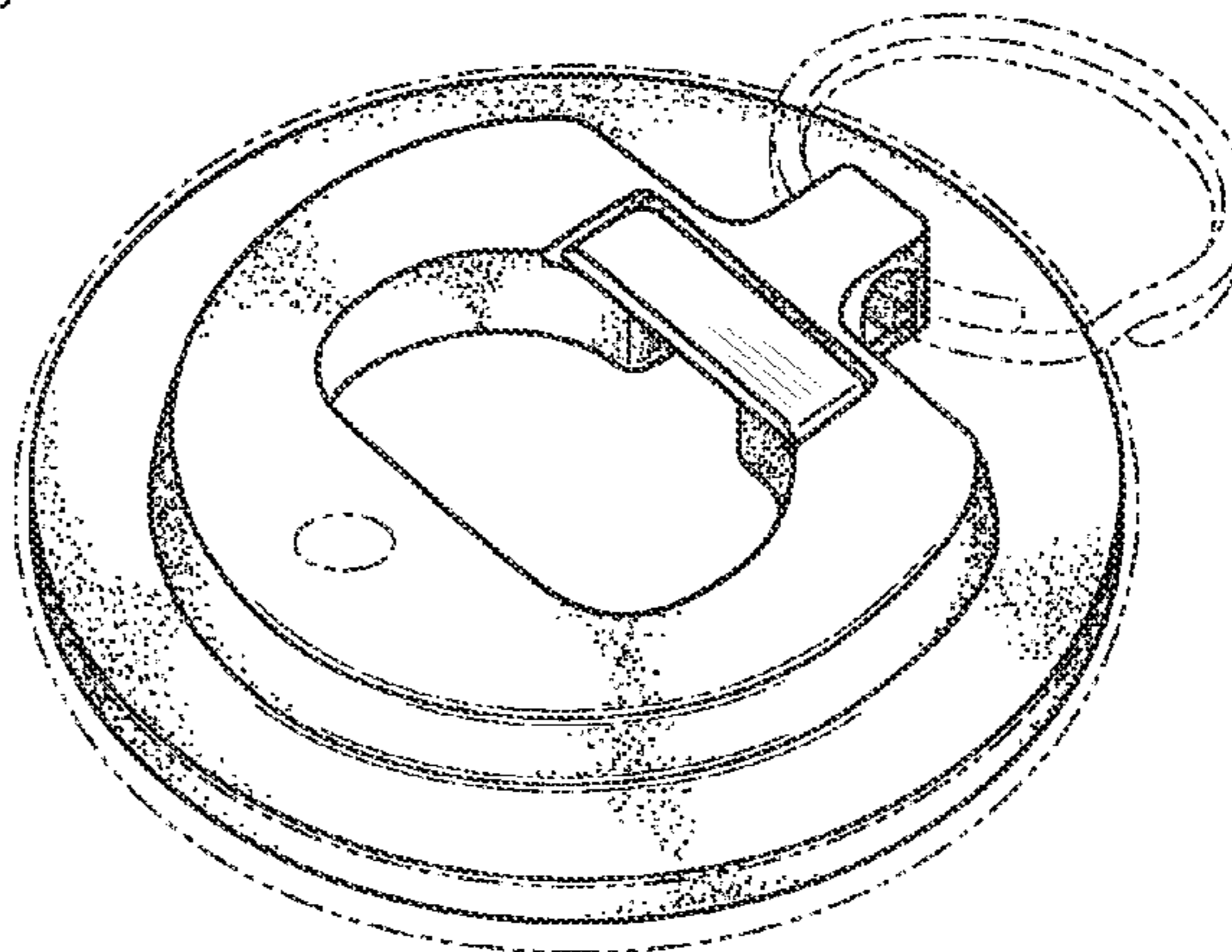
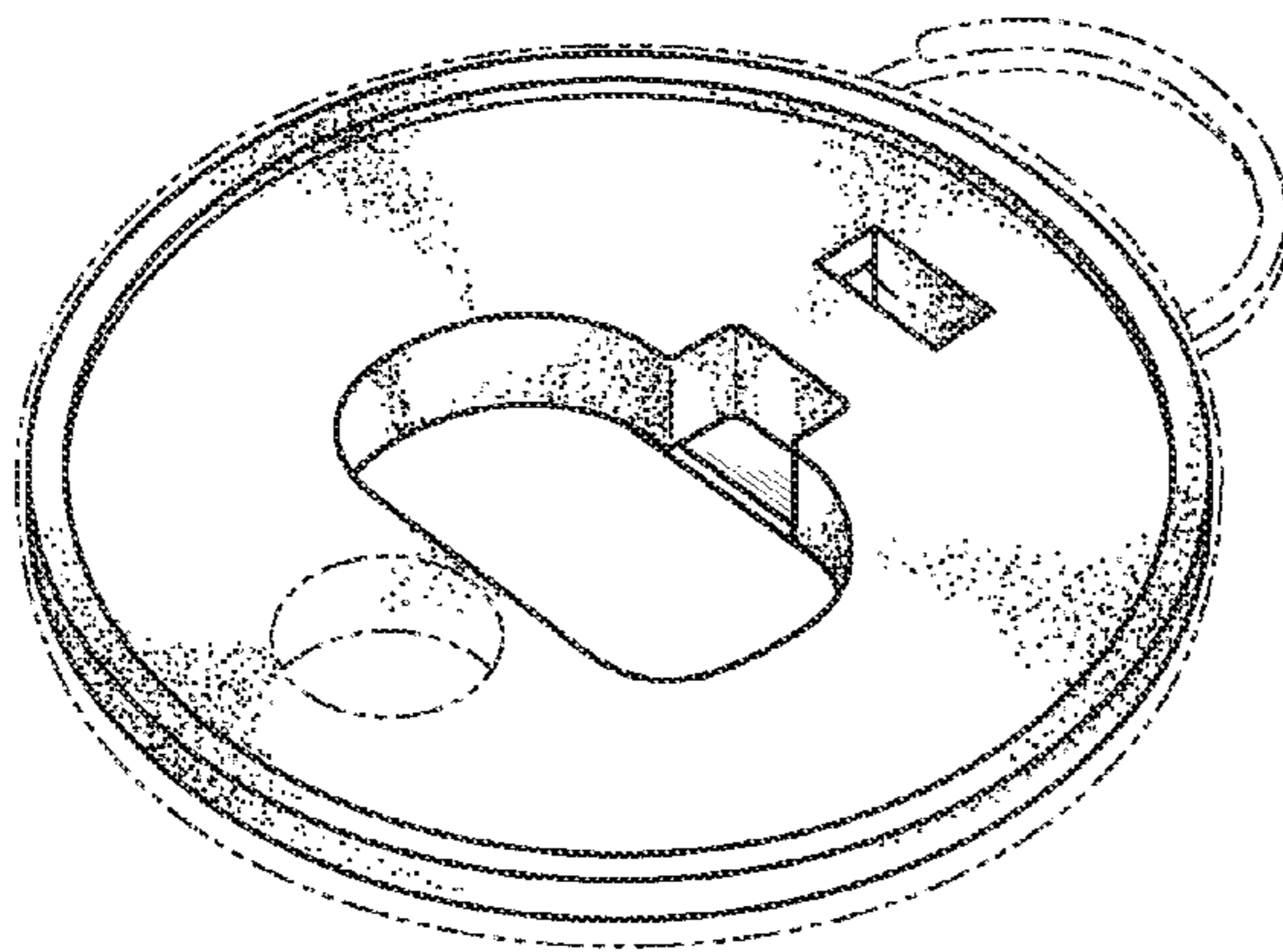
FIG. 7 is a top view thereof.

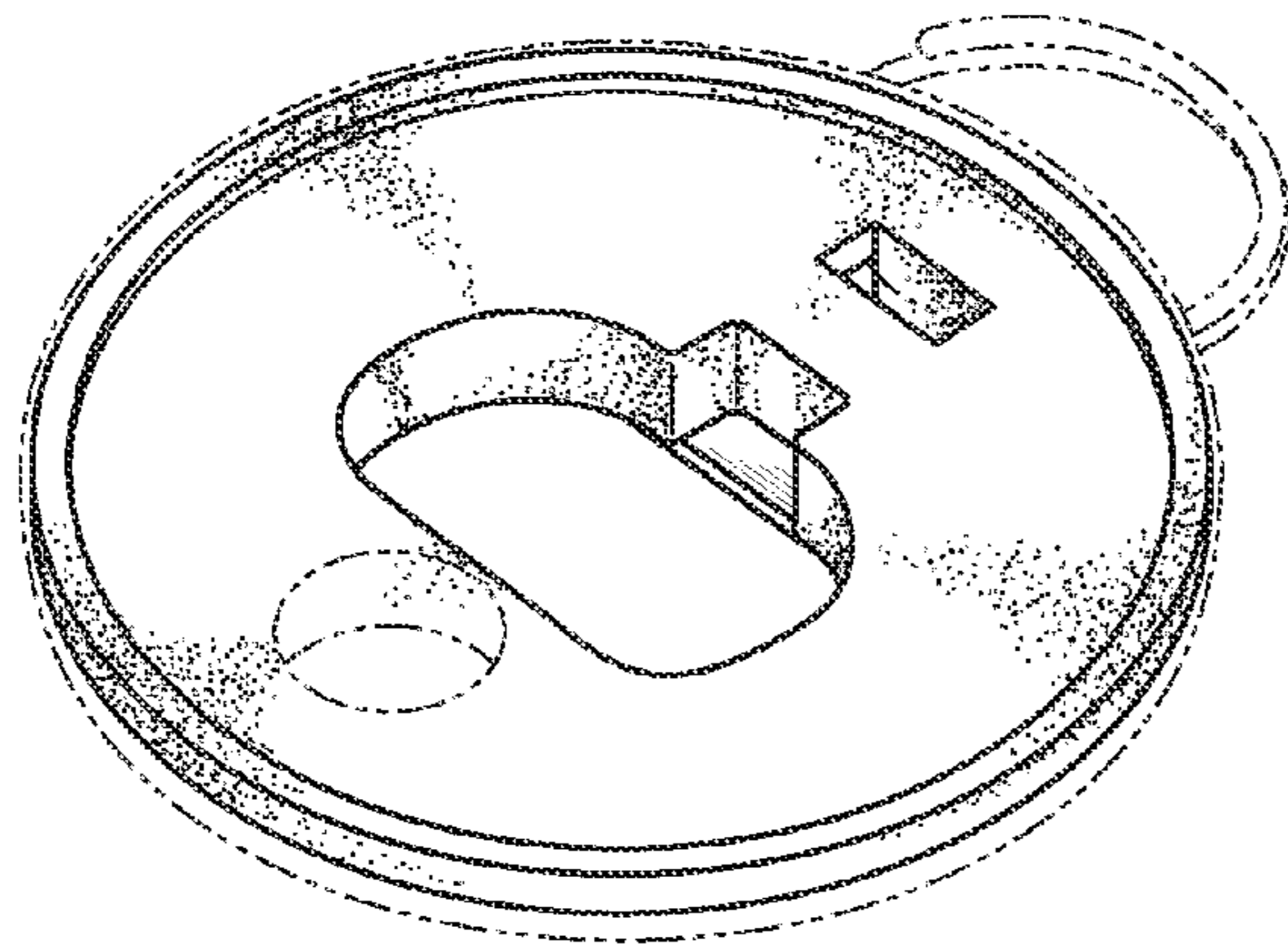
FIG. 8 is a left side view thereof; and,

FIG. 9 is a right side view thereof.

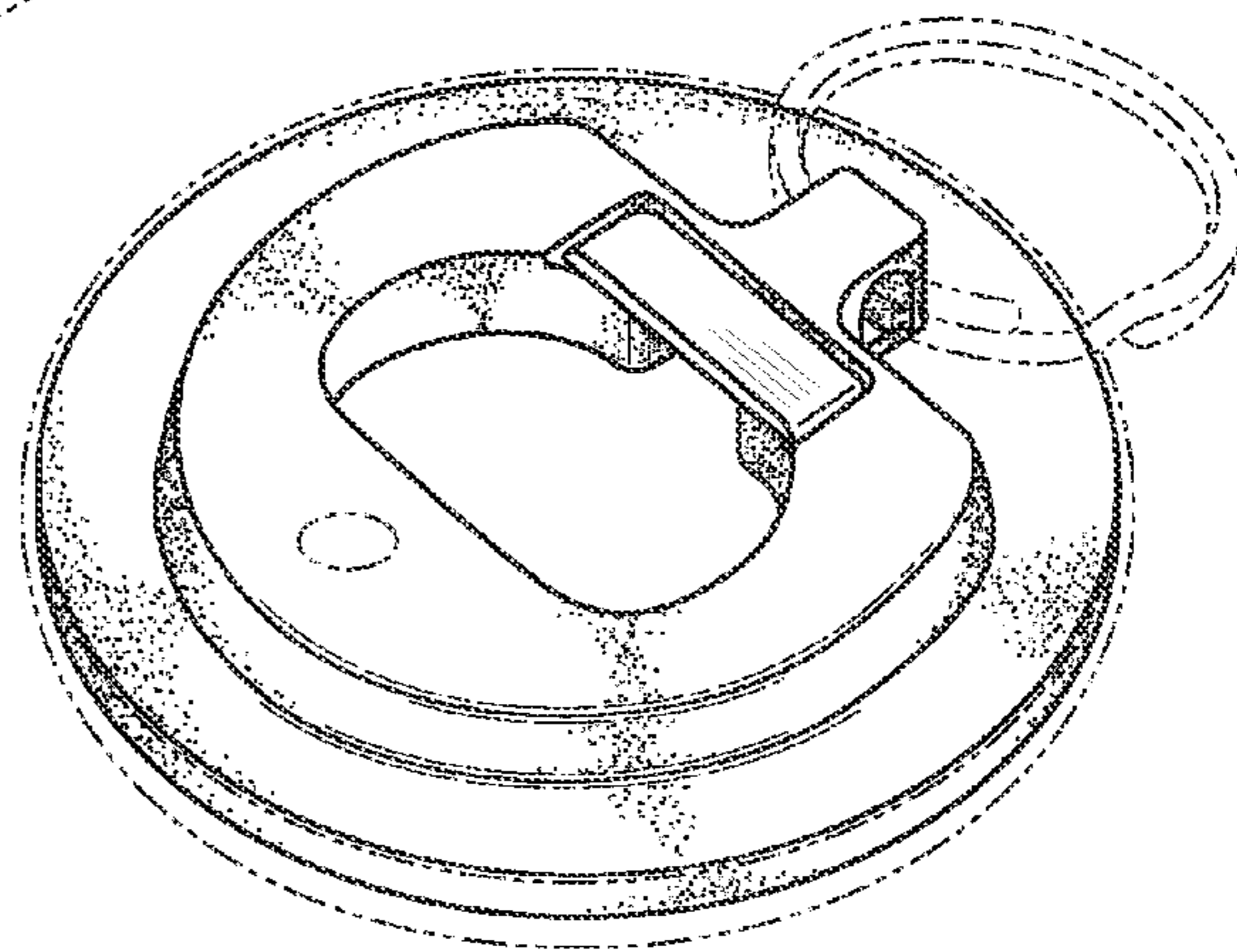
The broken lines depict a button, a magnet, and a key ring which may be attached or detached to the design and a space into which a magnet may be inserted, none of which form any part of the claimed design.

**1 Claim, 2 Drawing Sheets**

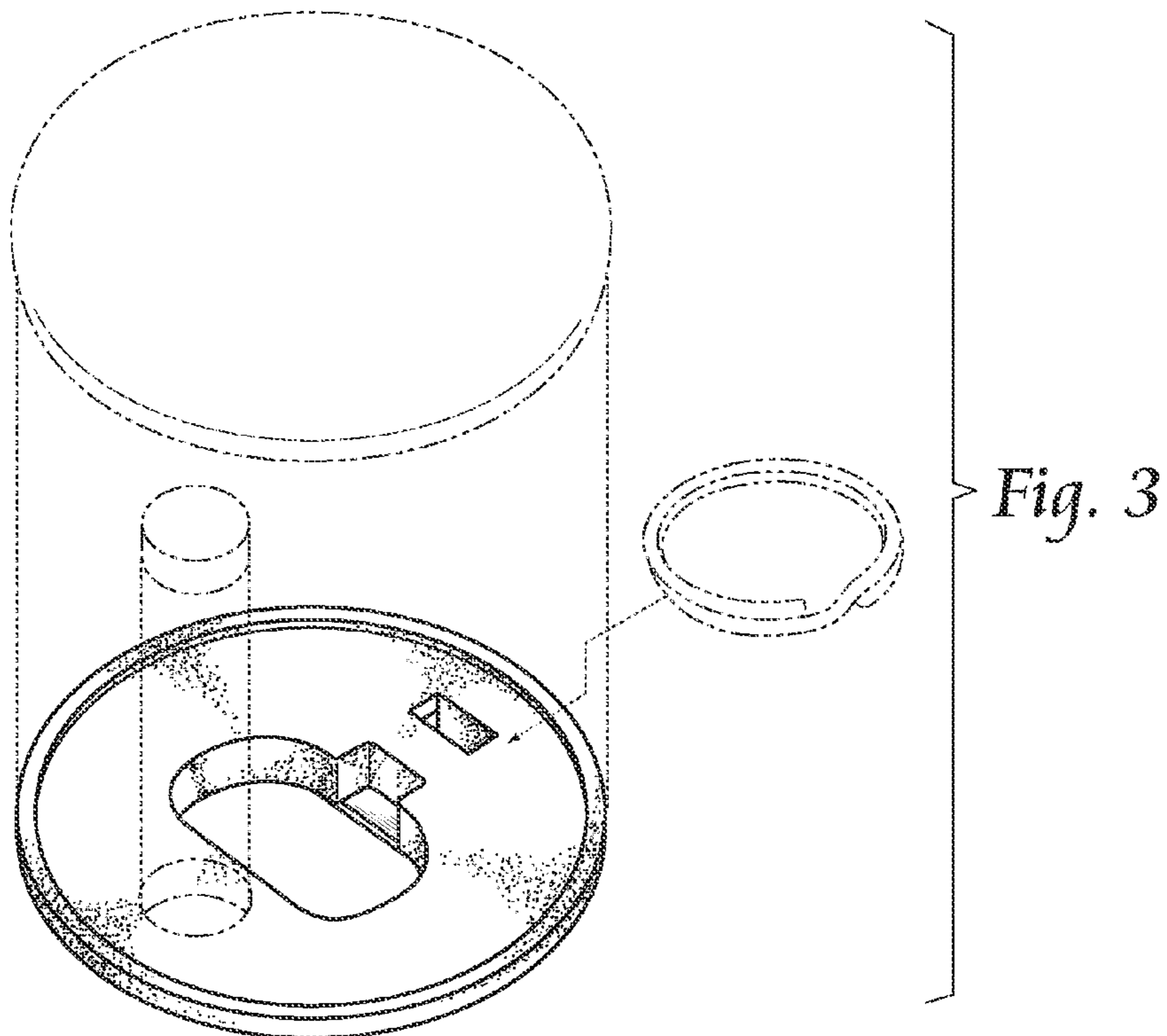




*Fig. 1*



*Fig. 2*



*Fig. 3*



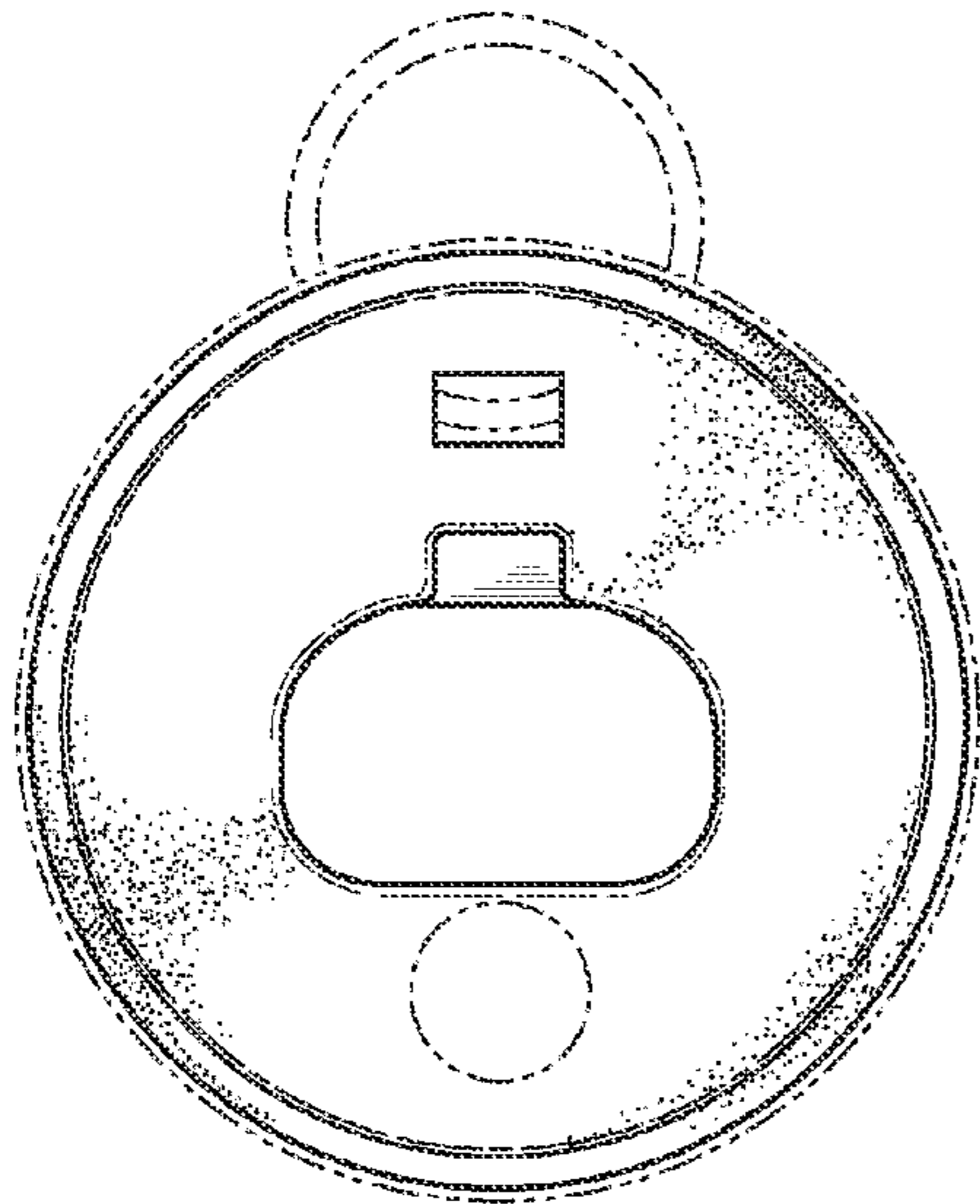


Fig. 4

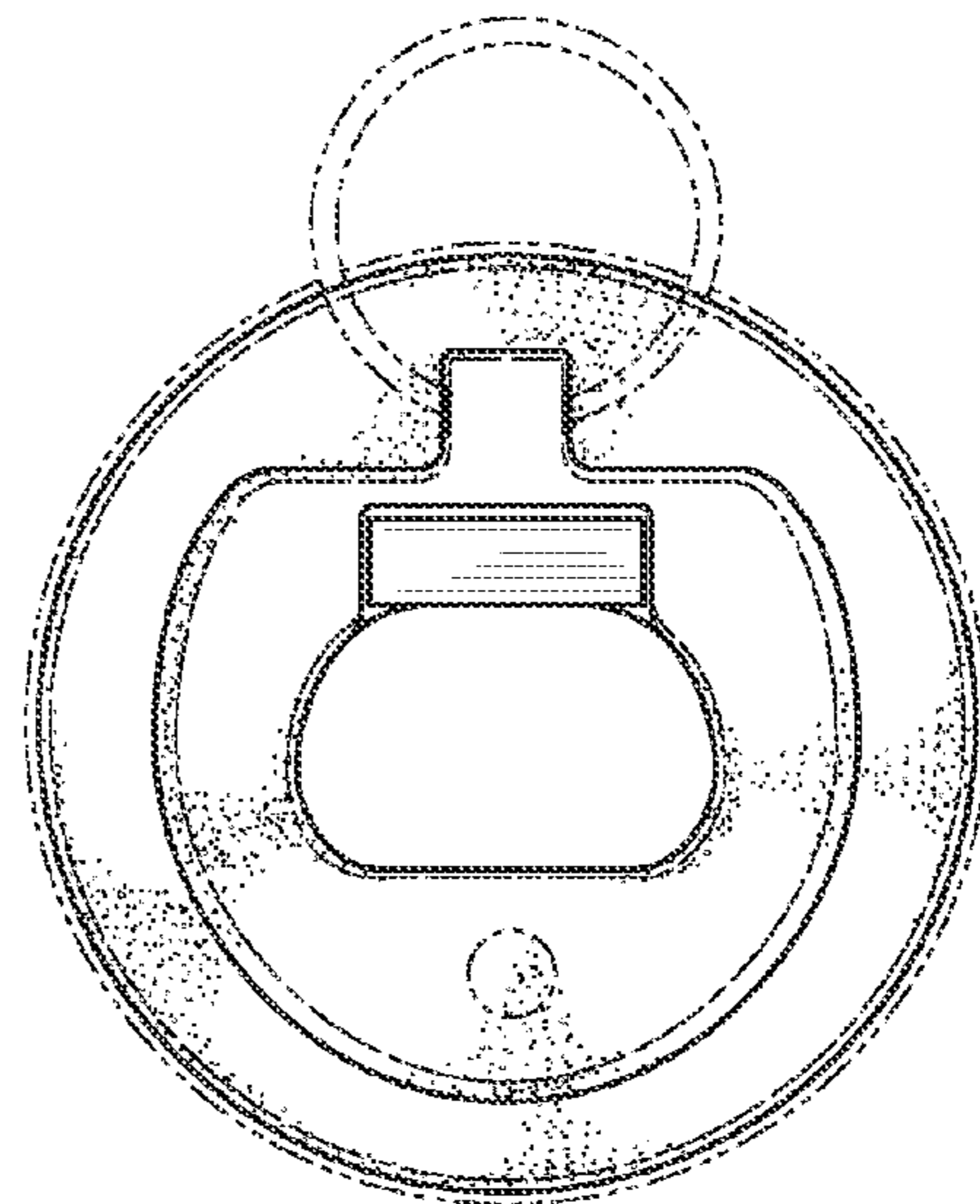


Fig. 5

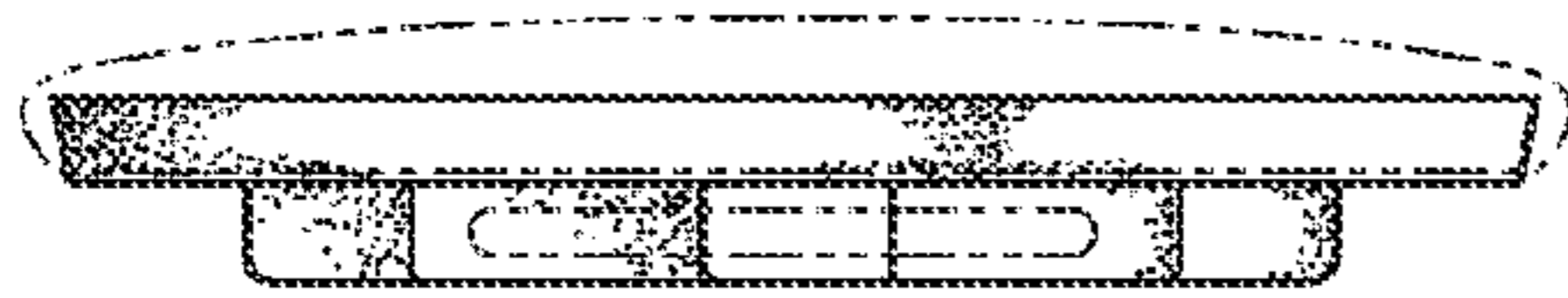


Fig. 6



Fig. 7

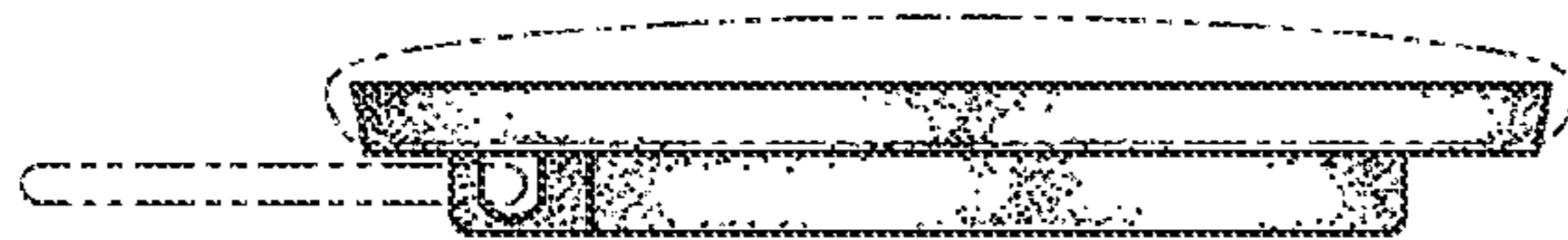


Fig. 8

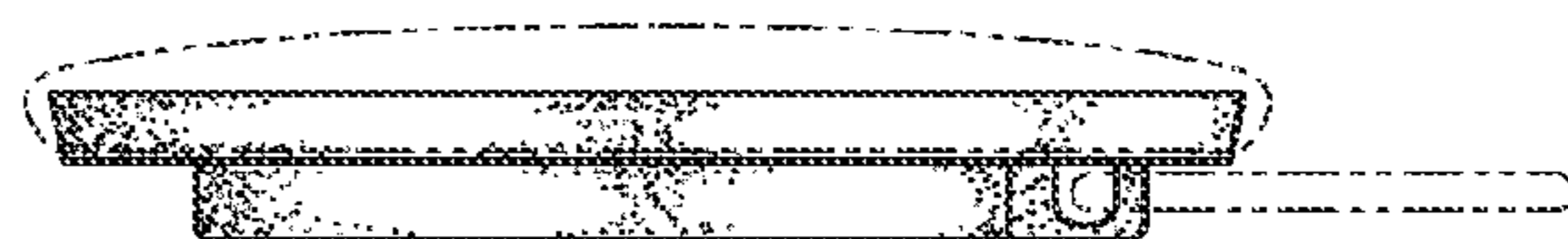


Fig. 9