



US00D679968S

(12) **United States Design Patent**  
**Chiu**

(10) **Patent No.:** **US D679,968 S**

(45) **Date of Patent:** **\*\* Apr. 16, 2013**

(54) **BLADE**

(75) Inventor: **Chin-Chang Chiu**, Taichung (TW)

(73) Assignee: **Goodly-CH Enterprise Co., Ltd.**,  
Taichung (TW)

(\*\*) Term: **14 Years**

(21) Appl. No.: **29/424,469**

(22) Filed: **Jun. 13, 2012**

(51) **LOC (9) Cl.** ..... **08-03**

(52) **U.S. Cl.**  
USPC ..... **D8/20**

(58) **Field of Classification Search** ..... D8/5, 16,  
D8/18-20, 64, 66, 70, 90-105; D15/127,  
D15/133, 134, 138, 139; D22/117, 118;  
D24/146, 147; 7/118, 148, 149; 30/142,  
30/144, 165, 166.3, 272.1, 275.4, 276, 314,  
30/320, 346, 346.5, 346.55, 346.56, 349,  
30/351, 355-357; 83/663, 676, 835, 846,  
83/854

See application file for complete search history.

(56) **References Cited**

U.S. PATENT DOCUMENTS

1,499,698	A *	7/1924	Schoenert	.....	30/346.55
2,384,051	A *	9/1945	Stampleman	.....	30/346.55
D455,057	S *	4/2002	Medhurst	.....	D8/20
D475,575	S *	6/2003	Mendenhall	.....	D8/20
D506,663	S *	6/2005	Biller et al.	.....	D8/98
D663,595	S *	7/2012	Nikkel	.....	D8/20
2007/0157476	A1 *	7/2007	Hunt	.....	30/355

\* cited by examiner

*Primary Examiner* — Garth Rademaker

(74) *Attorney, Agent, or Firm* — Alan Kamrath; Kamrath IP Lawfirm, P.A.

(57) **CLAIM**

The ornamental design for a blade, as shown and described.

**DESCRIPTION**

FIG. 1 is a perspective view of a blade showing my new design;

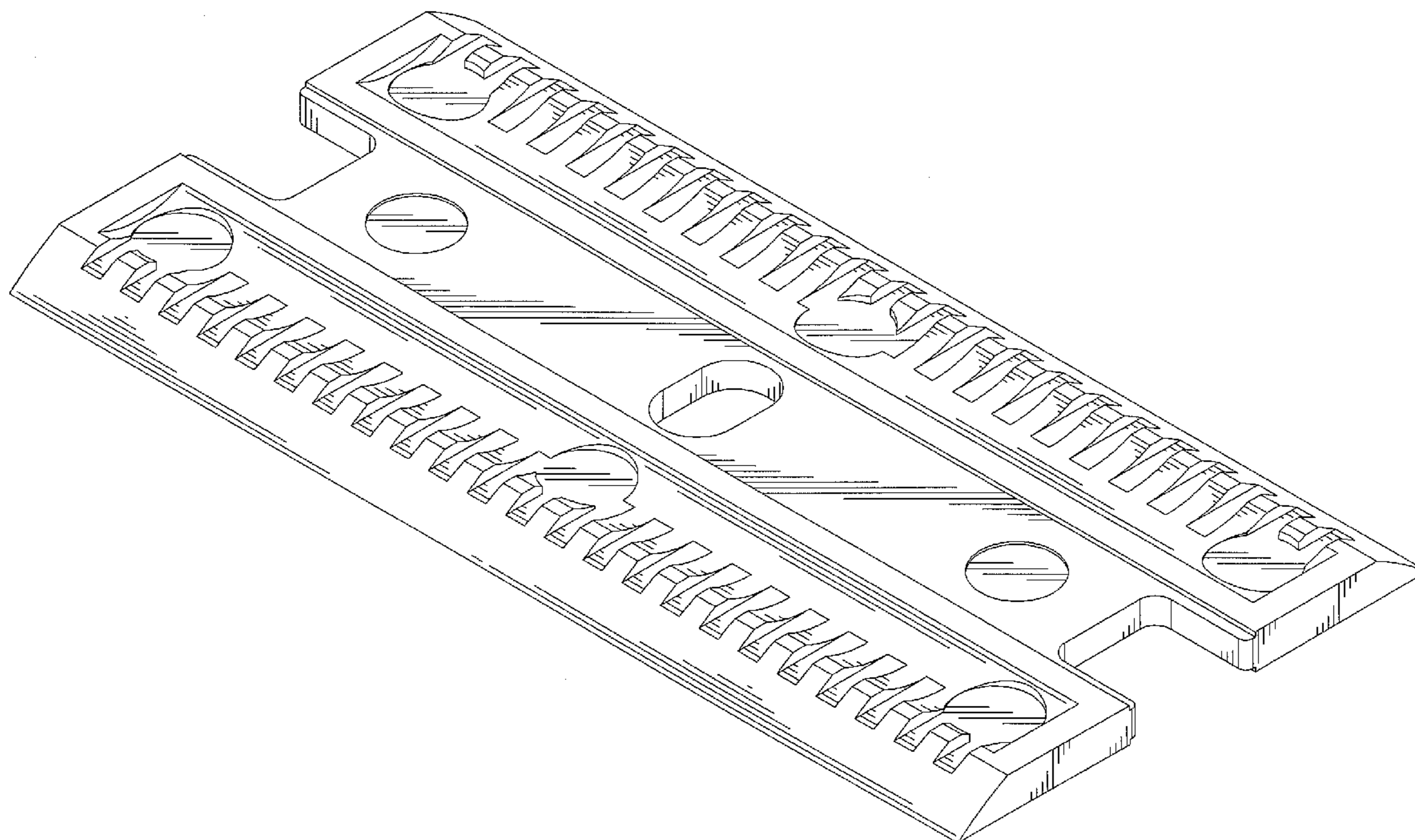
FIG. 2 is a front view thereof, a rear view being identical thereto;

FIG. 3 is a right side view thereof, a left side view being identical thereto;

FIG. 4 is a top view thereof; and,

FIG. 5 is a bottom view thereof.

**1 Claim, 4 Drawing Sheets**



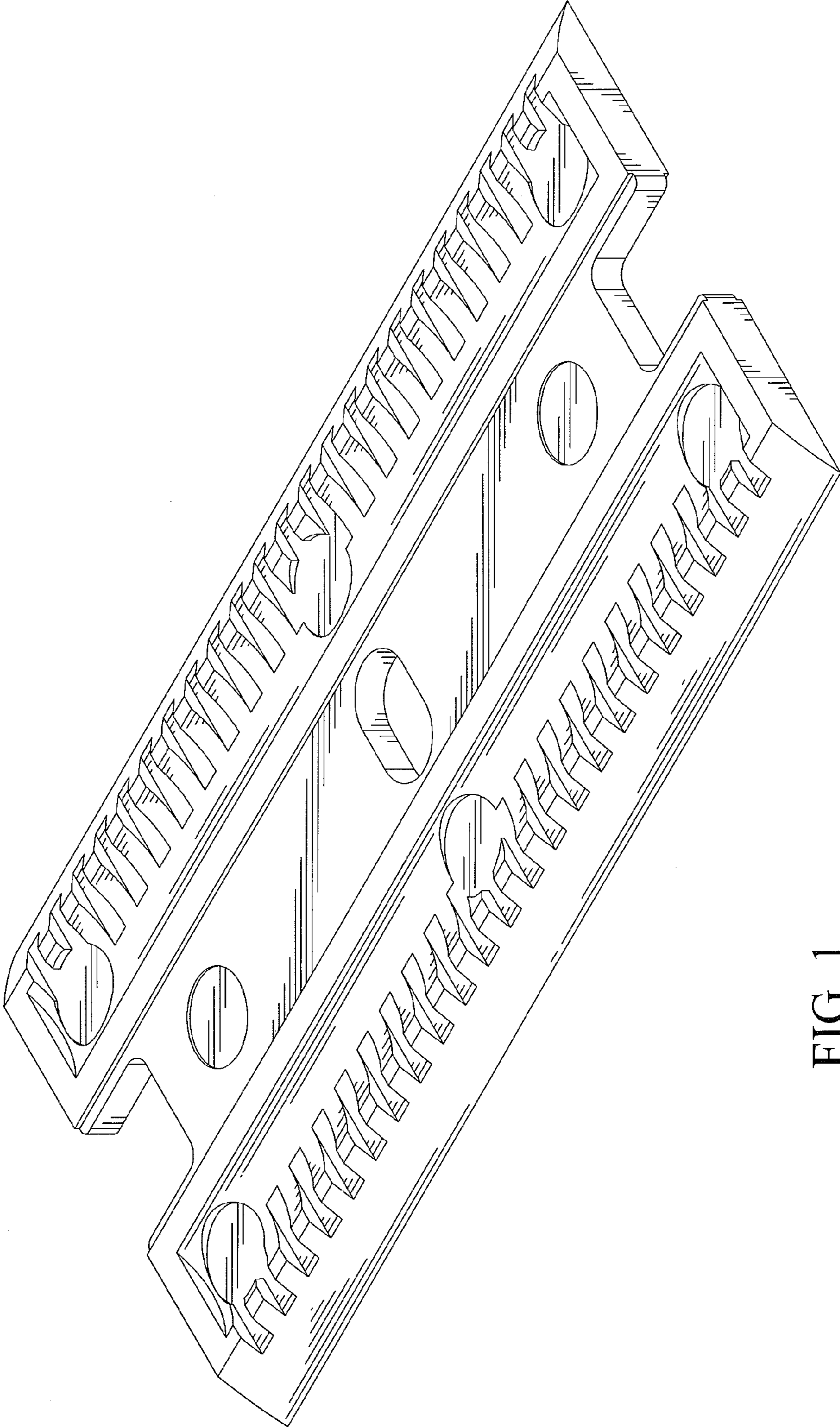


FIG. 1

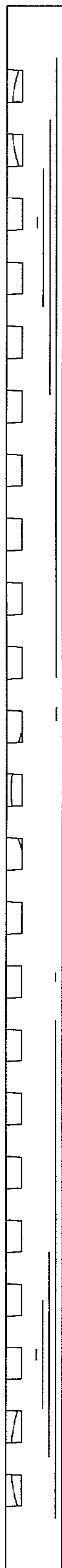


FIG. 2

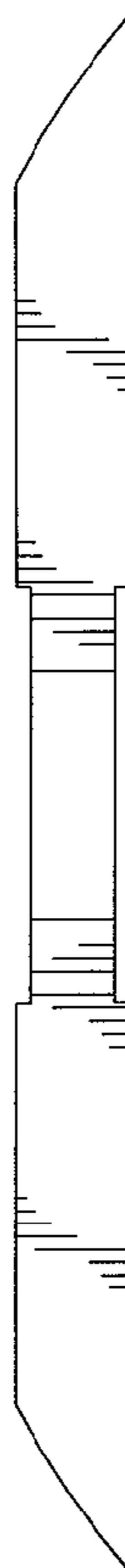


FIG. 3

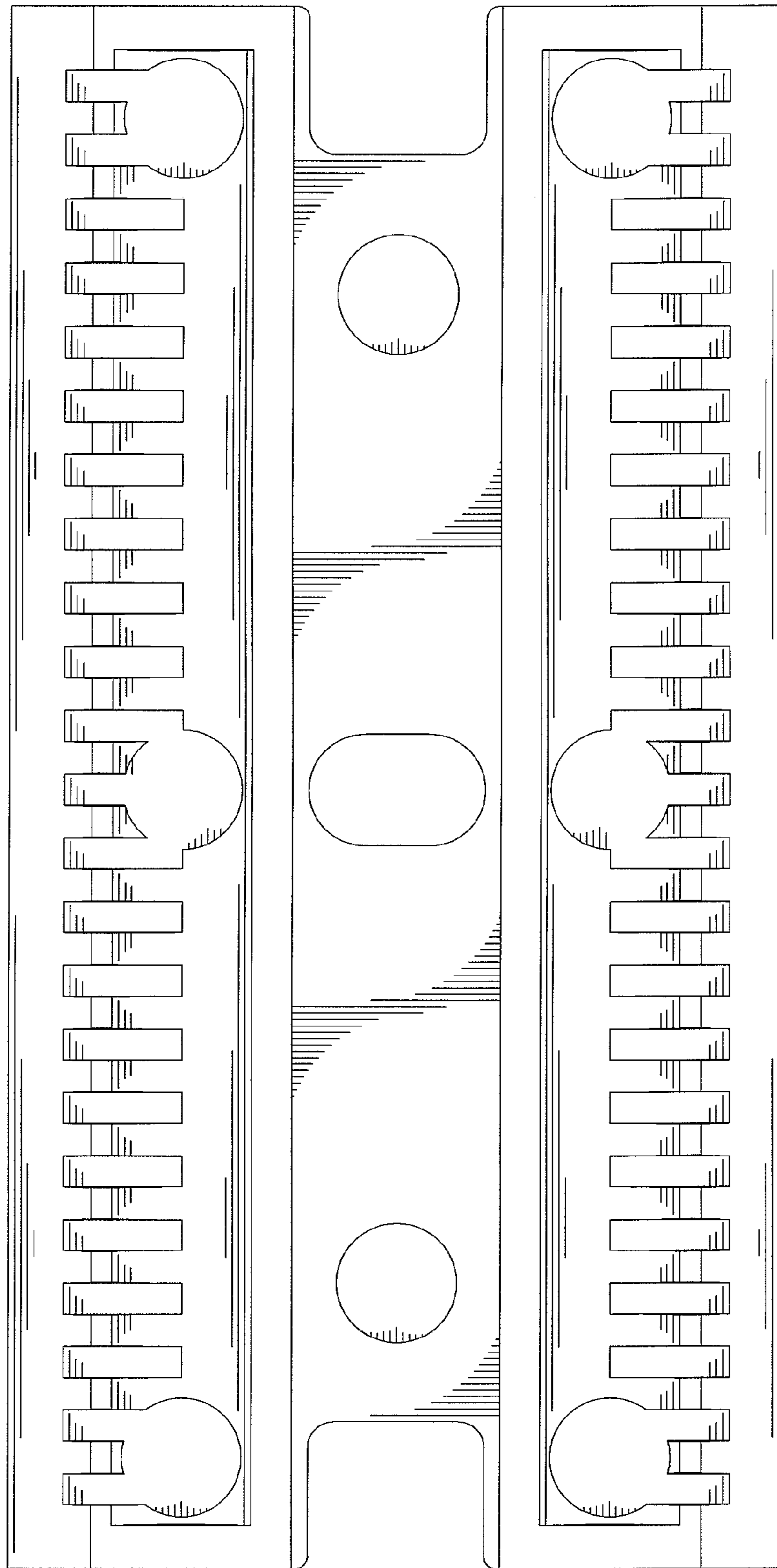


FIG. 4



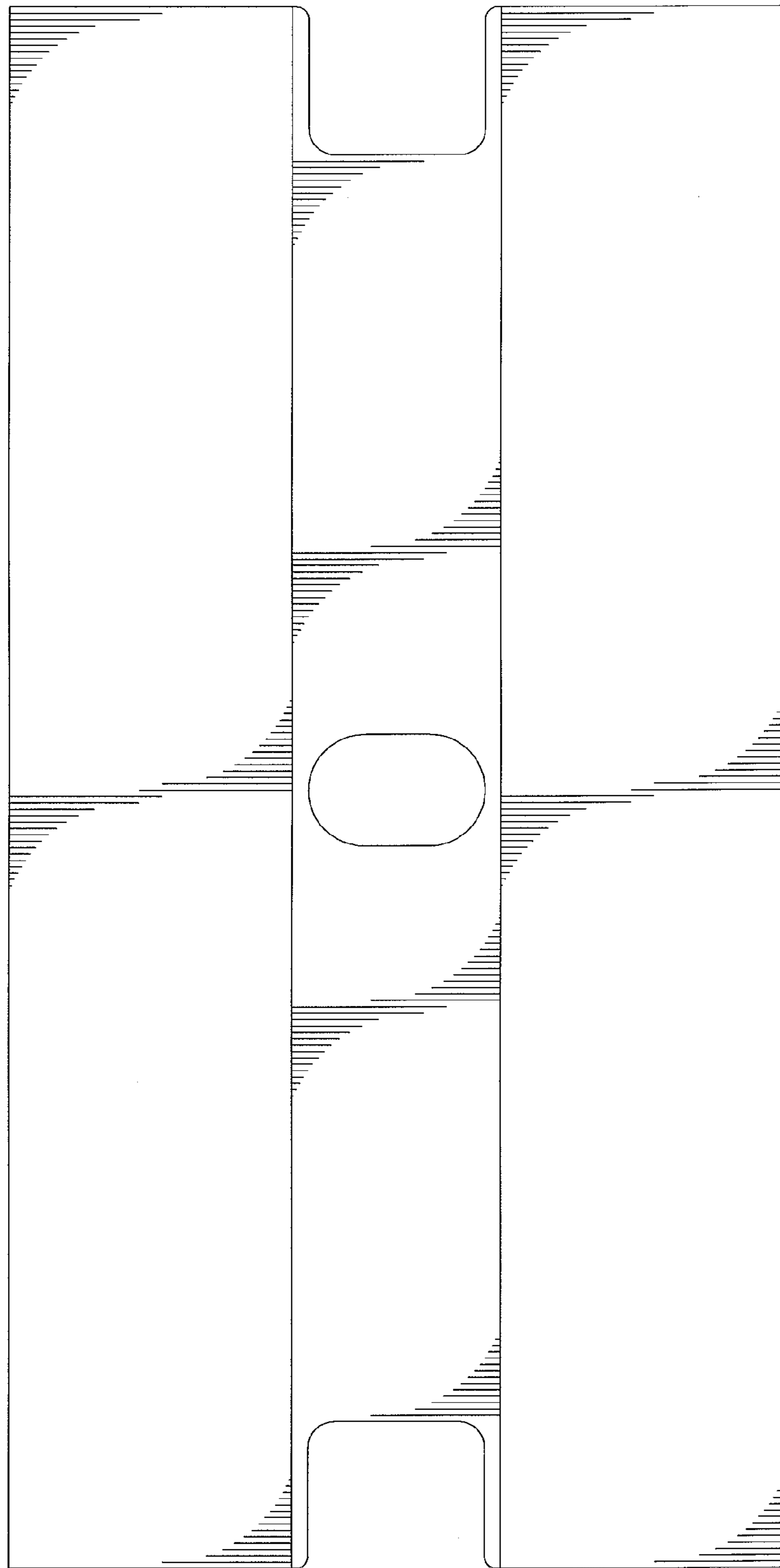


FIG. 5