



US00D679967S

(12) **United States Design Patent**
Junyong et al.

(10) **Patent No.:** **US D679,967 S**

(45) **Date of Patent:** **** Apr. 16, 2013**

(54) **MULTI-FUNCTION WRENCH**

(75) Inventors: **Yang Junyong**, HangZhou (CN);
Richard Monteverde, Chicago, IL (US)

(73) Assignee: **Robert Bosch GmbH**, Stuttgart (DE)

(**) Term: **14 Years**

(21) Appl. No.: **29/418,812**

(22) Filed: **Apr. 20, 2012**

(51) **LOC (9) Cl.** **08-05**

(52) **U.S. Cl.**
USPC **D8/17**

(58) **Field of Classification Search** D8/17,
D8/18, 19, 21, 28, 105; 81/119, 120, 121.1,
81/124.3, 124.4, 125.1, 176.1, 176.2, 186
See application file for complete search history.

(56) **References Cited**

U.S. PATENT DOCUMENTS

D309,411 S *	7/1990	Strock	D8/17
D418,727 S *	1/2000	Hsieh	D8/28
D458,522 S *	6/2002	Cox	D8/17
D465,976 S *	11/2002	Wang	D8/17
D477,197 S *	7/2003	Yates	D8/21
D529,349 S *	10/2006	Kitchen et al.	D8/21
7,117,766 B1 *	10/2006	Boehringer	81/121.1

D584,585 S *	1/2009	Juelch et al.	D8/28
7,530,295 B2 *	5/2009	Jones et al.	81/124.4
D598,723 S *	8/2009	Cheng	D8/17
D601,393 S *	10/2009	Cui	D8/17
D666,883 S *	9/2012	Howard et al.	D8/19

* cited by examiner

Primary Examiner — Raphael Barkai
Assistant Examiner — Randall Gholson

(74) *Attorney, Agent, or Firm* — Taft Stettinius & Hollister
LLP; Keith Swedo

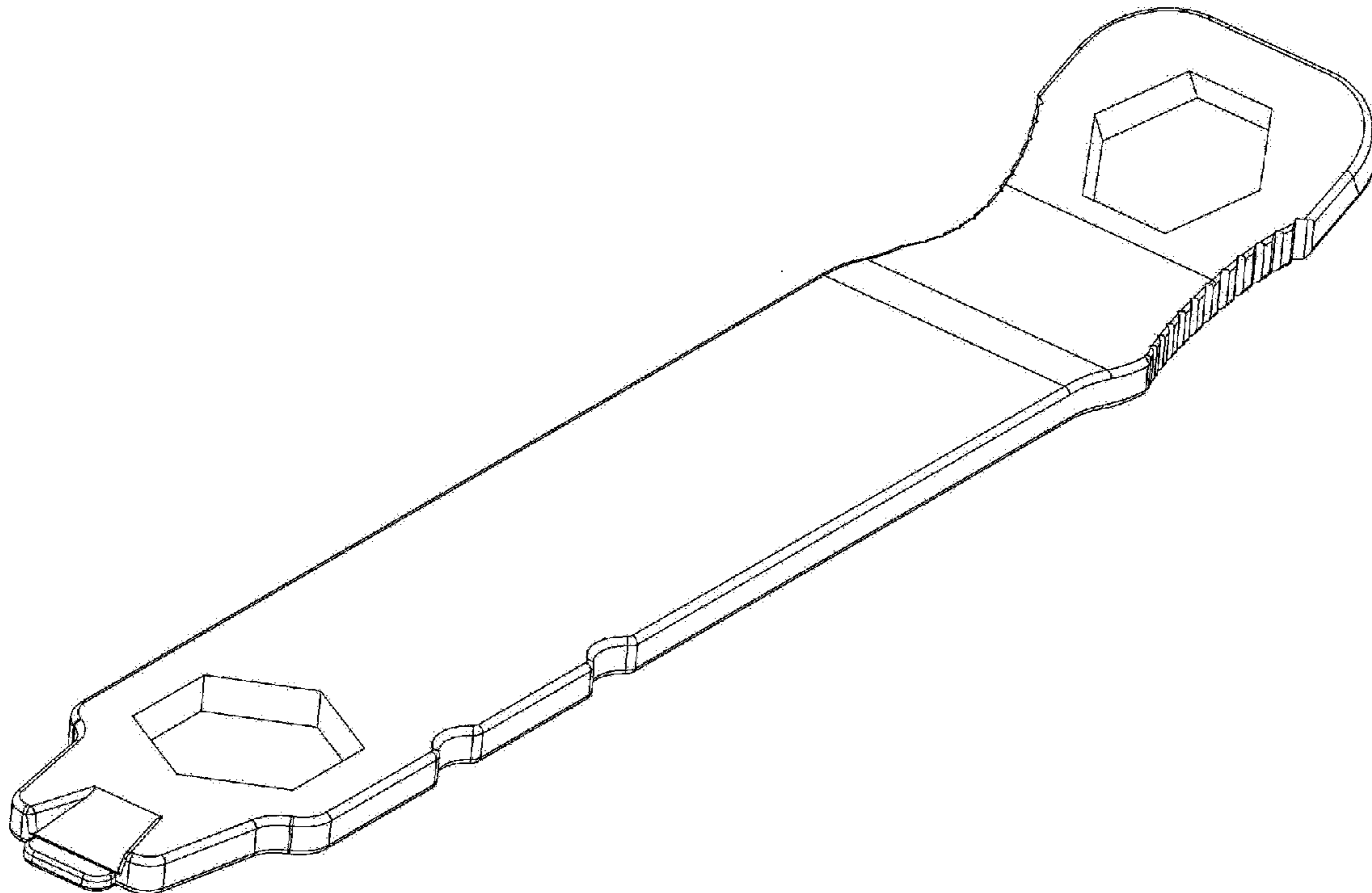
(57) **CLAIM**

The ornamental design for the multi-function wrench, as shown and described.

DESCRIPTION

FIG. 1 is a rear bottom left perspective view of the multi-function wrench;
FIG. 2 is a rear view thereof;
FIG. 3 is a front view thereof;
FIG. 4 is a right side view thereof;
FIG. 5 is a left side view thereof;
FIG. 6 is a top view thereof;
FIG. 7 is a bottom view thereof; and,
FIG. 8 is a rear upper right perspective view thereof engaging a circular saw blade.

1 Claim, 4 Drawing Sheets



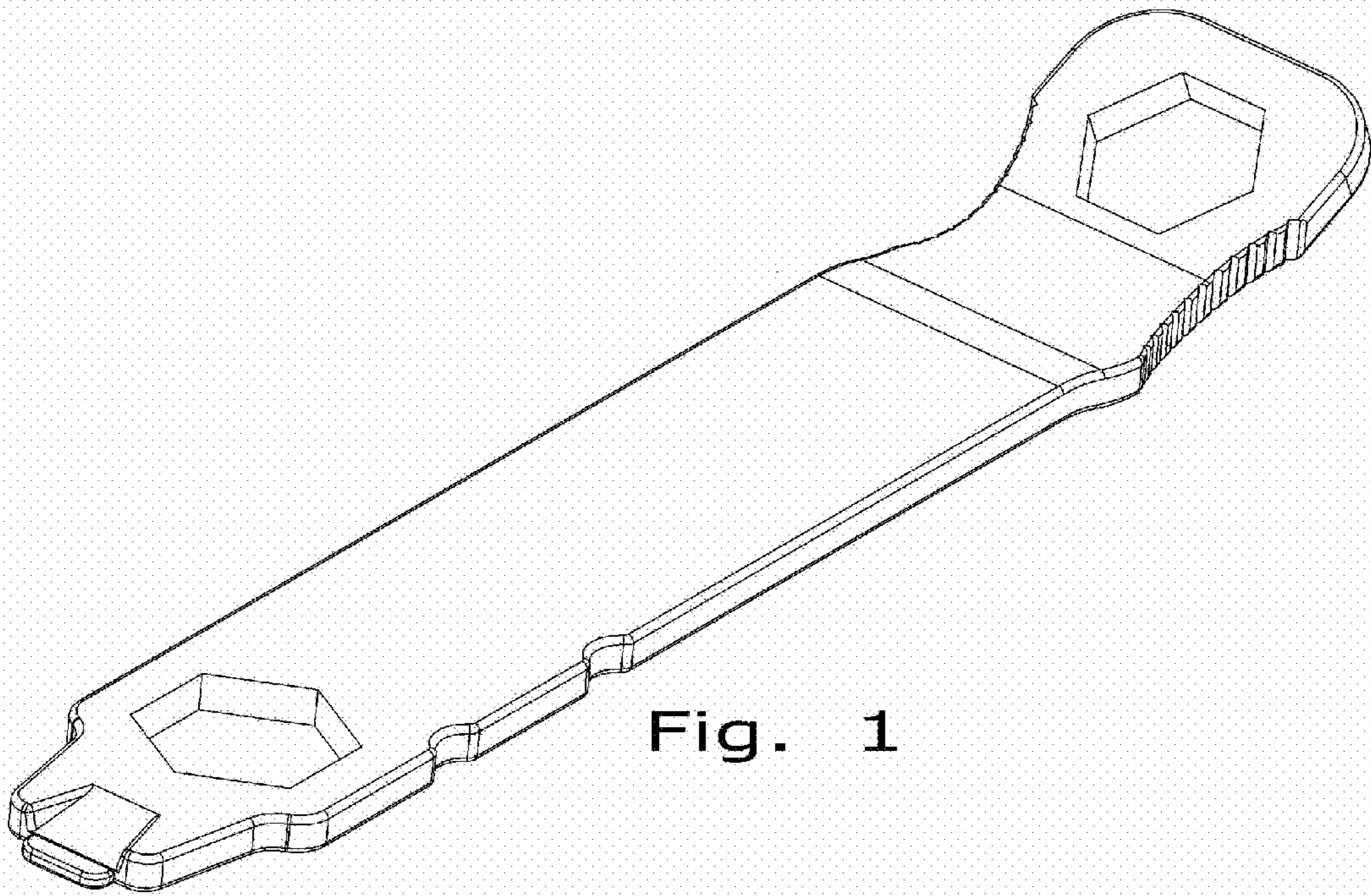


Fig. 1

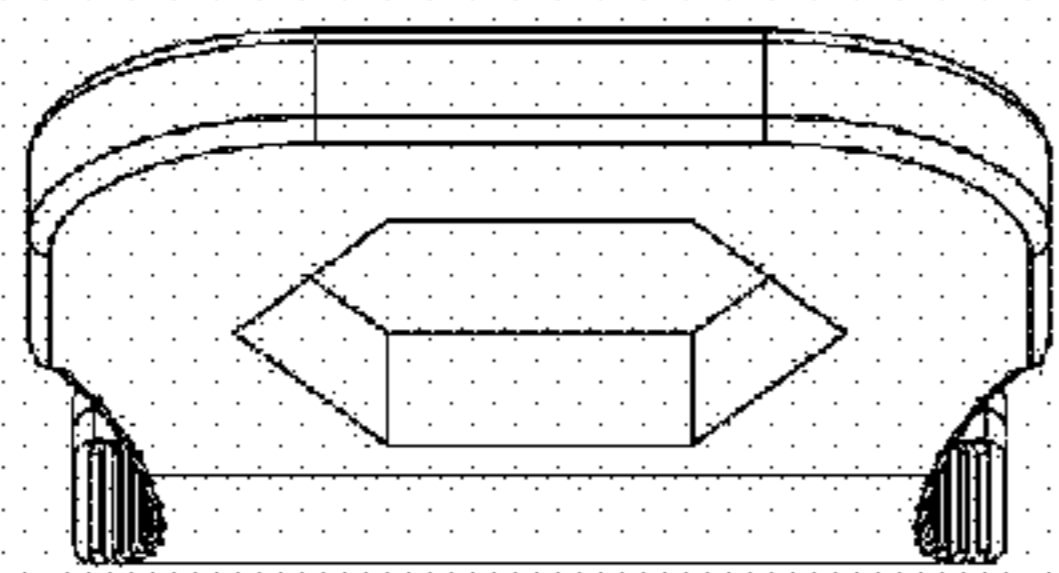


Fig. 6

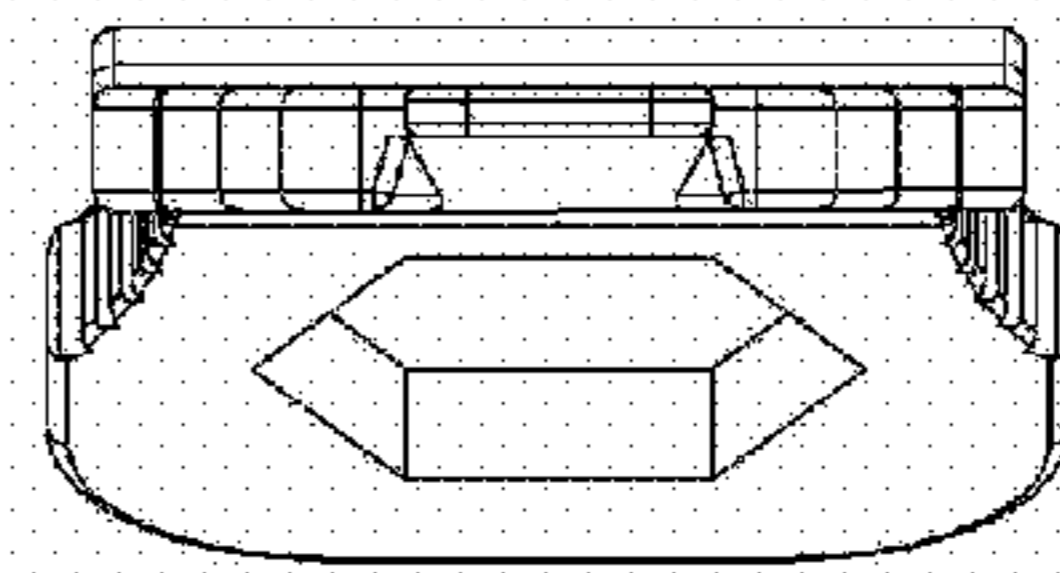


Fig. 7

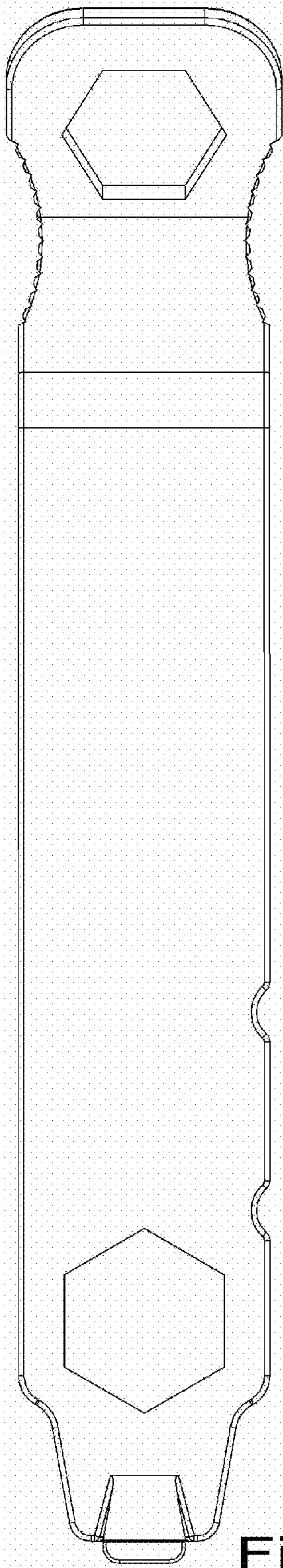


Fig. 2

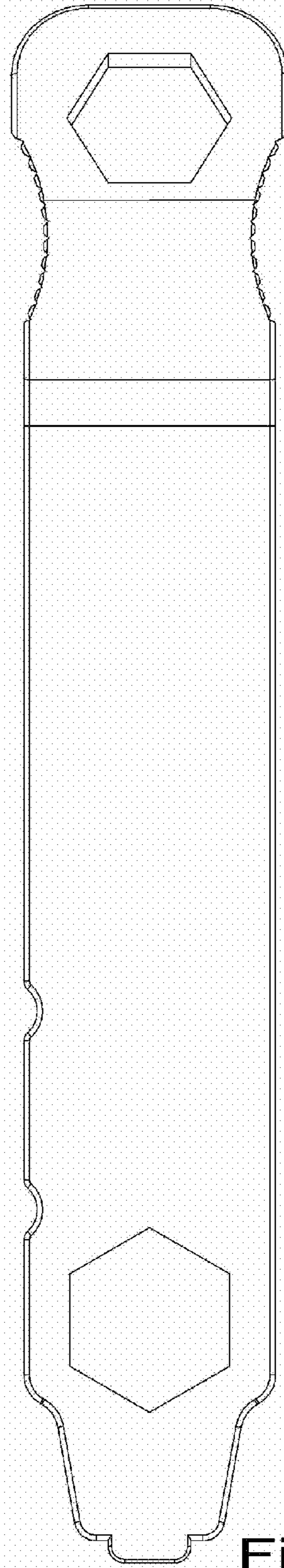


Fig. 3

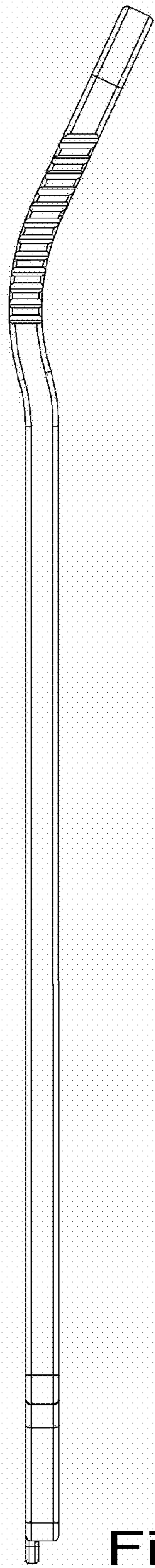


Fig. 4

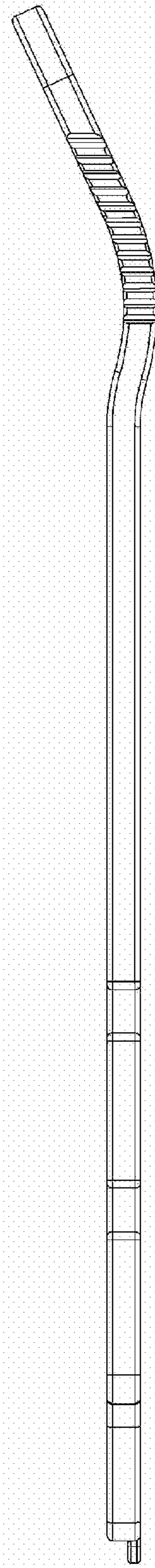


Fig. 5

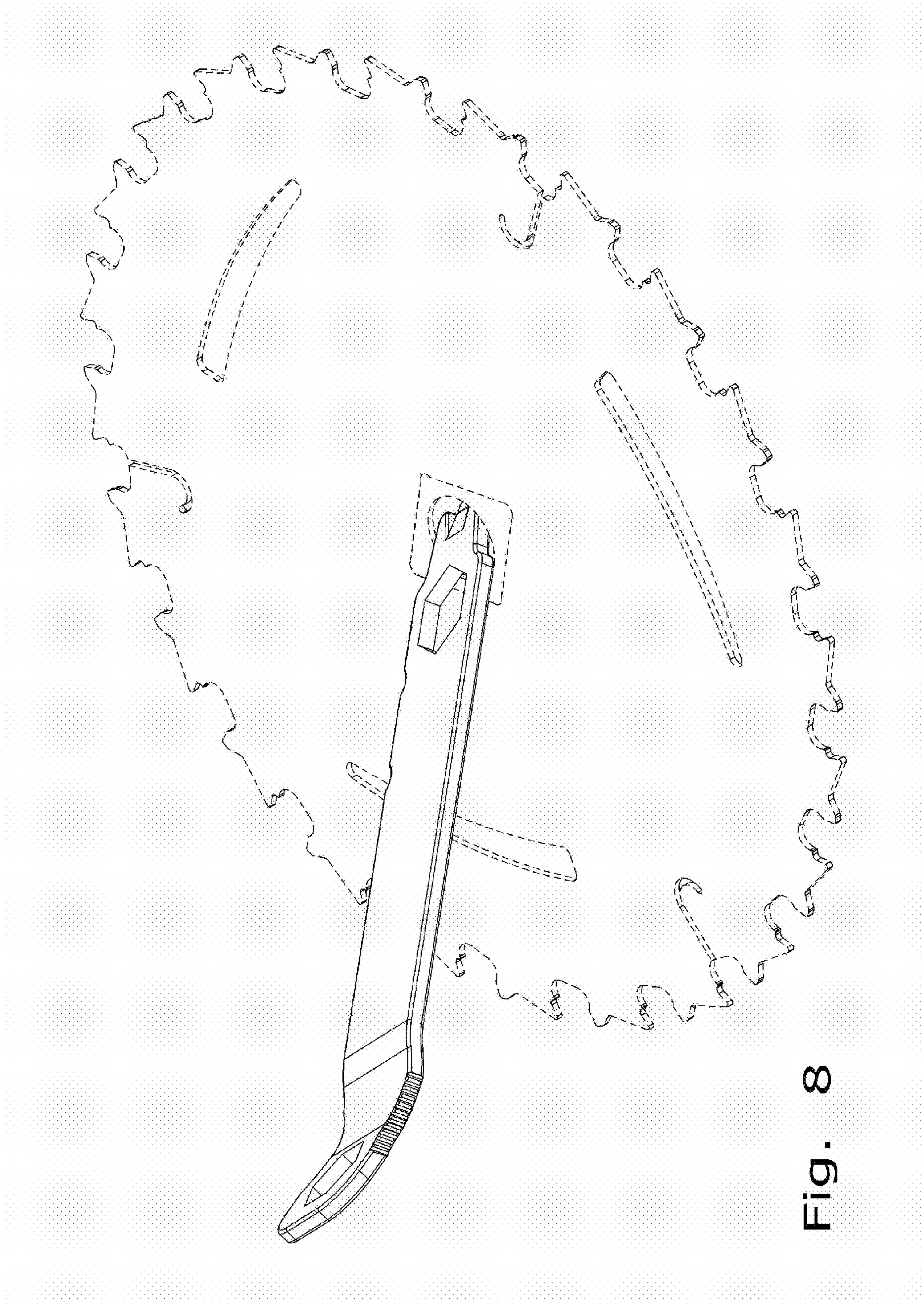


Fig. 8