



US00D679966S

(12) **United States Design Patent**
Meiller et al.

(10) **Patent No.:** **US D679,966 S**

(45) **Date of Patent:** **** Apr. 16, 2013**

(54) **GARDEN CULTIVATOR**

(75) Inventors: **James Meiller**, Fitchburg, WI (US);
Daniel J. Lipscomb, Prairie du Sac, WI
(US); **Colin Roberts**, Stevens Point, WI
(US)

(73) Assignee: **Fiskars Brands, Inc.**, Madison, WI (US)

(**) Term: **14 Years**

(21) Appl. No.: **29/425,364**

(22) Filed: **Jun. 21, 2012**

(51) **LOC (9) Cl.** **08-01**

(52) **U.S. Cl.**
USPC **D8/13**

(58) **Field of Classification Search** D8/13,
D8/1; 172/371-372, 375, 376; 7/114-116;
56/400.1-400.21

See application file for complete search history.

(56) **References Cited**

U.S. PATENT DOCUMENTS

D256,542 S	8/1980	Nadle
D295,712 S	5/1988	Scott
D339,039 S	9/1993	Concari
D349,023 S	7/1994	Linden et al.
D383,049 S	9/1997	Concari et al.
D387,649 S	12/1997	Concari et al.
D388,670 S	1/1998	Yeh
D409,710 S	5/1999	Bauer
D435,407 S	12/2000	Yager et al.
D476,537 S	7/2003	Lin
D506,655 S	6/2005	Lipscomb et al.

D522,324 S	*	6/2006	Demar et al.	D8/13
D547,145 S		7/2007	Shan		
D582,227 S		12/2008	Wong et al.		
D595,549 S	*	7/2009	Wong et al.	D8/6

OTHER PUBLICATIONS

U.S. Appl. No. 29/414,287, filed Feb. 27, 2012, Paloheimo et al.

* cited by examiner

Primary Examiner — Sheryl Lane

(74) *Attorney, Agent, or Firm* — Foley & Lardner LLP

(57) **CLAIM**

We claim the ornamental design for a garden cultivator, as shown and described.

DESCRIPTION

FIG. 1 is a perspective view of an embodiment of the claimed design;

FIG. 2 is a top view of the claimed design of FIG. 1;

FIG. 3 is a bottom view of the claimed design of FIG. 1;

FIG. 4 is a right side view of the claimed design of FIG. 1, and where the left side view is a mirror image of the right side view;

FIG. 5 is a front view of the claimed design of FIG. 1; and,

FIG. 6 is a rear view of the claimed design of FIG. 1.

The broken lines represent portions of the article and form no part of the claimed design.

The ornamental design which is claimed is shown in solid lines in the drawings. The broken lines in the drawings are for illustrative purposes only and form no part of the claimed design.

1 Claim, 5 Drawing Sheets

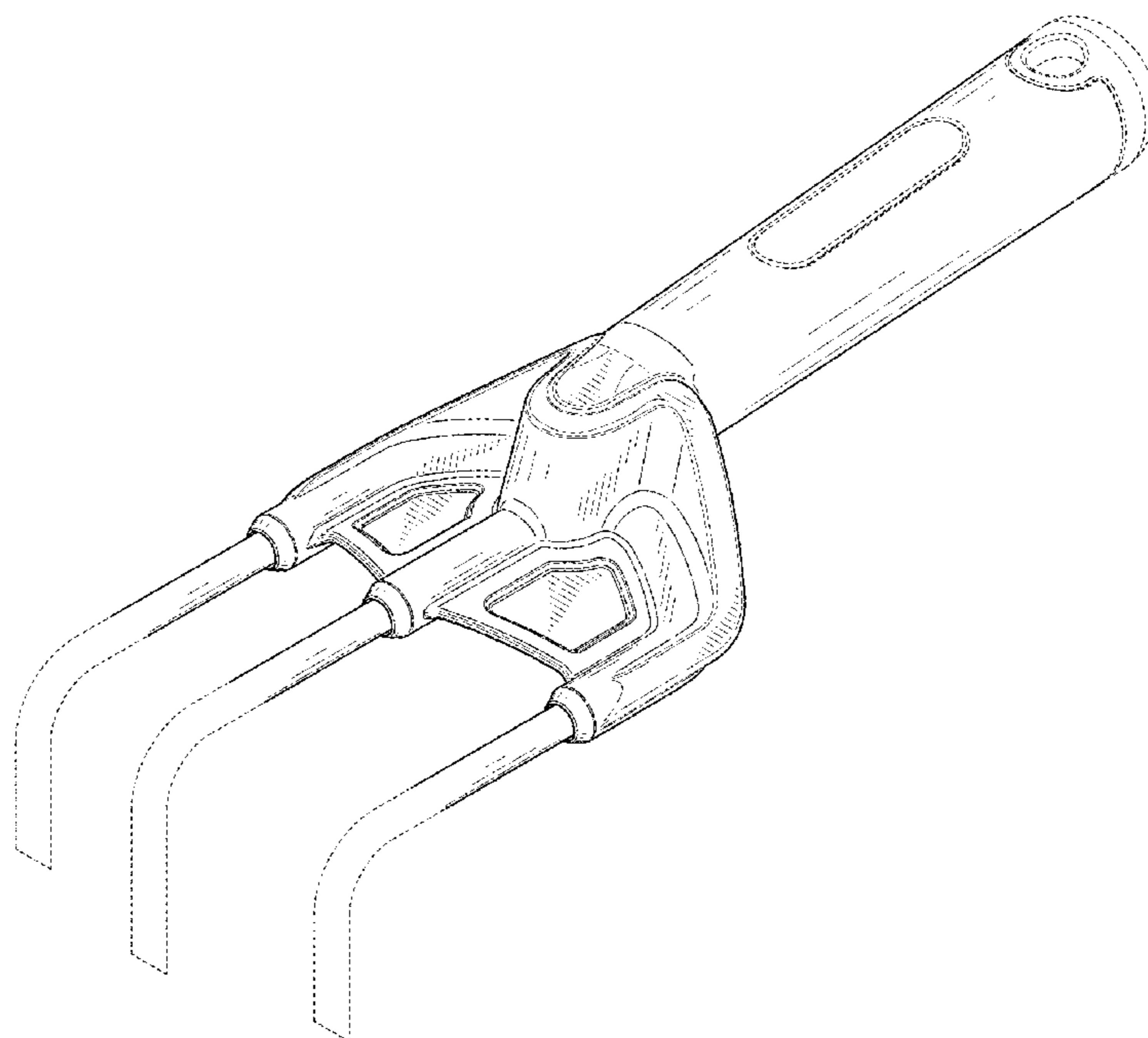


FIGURE 1

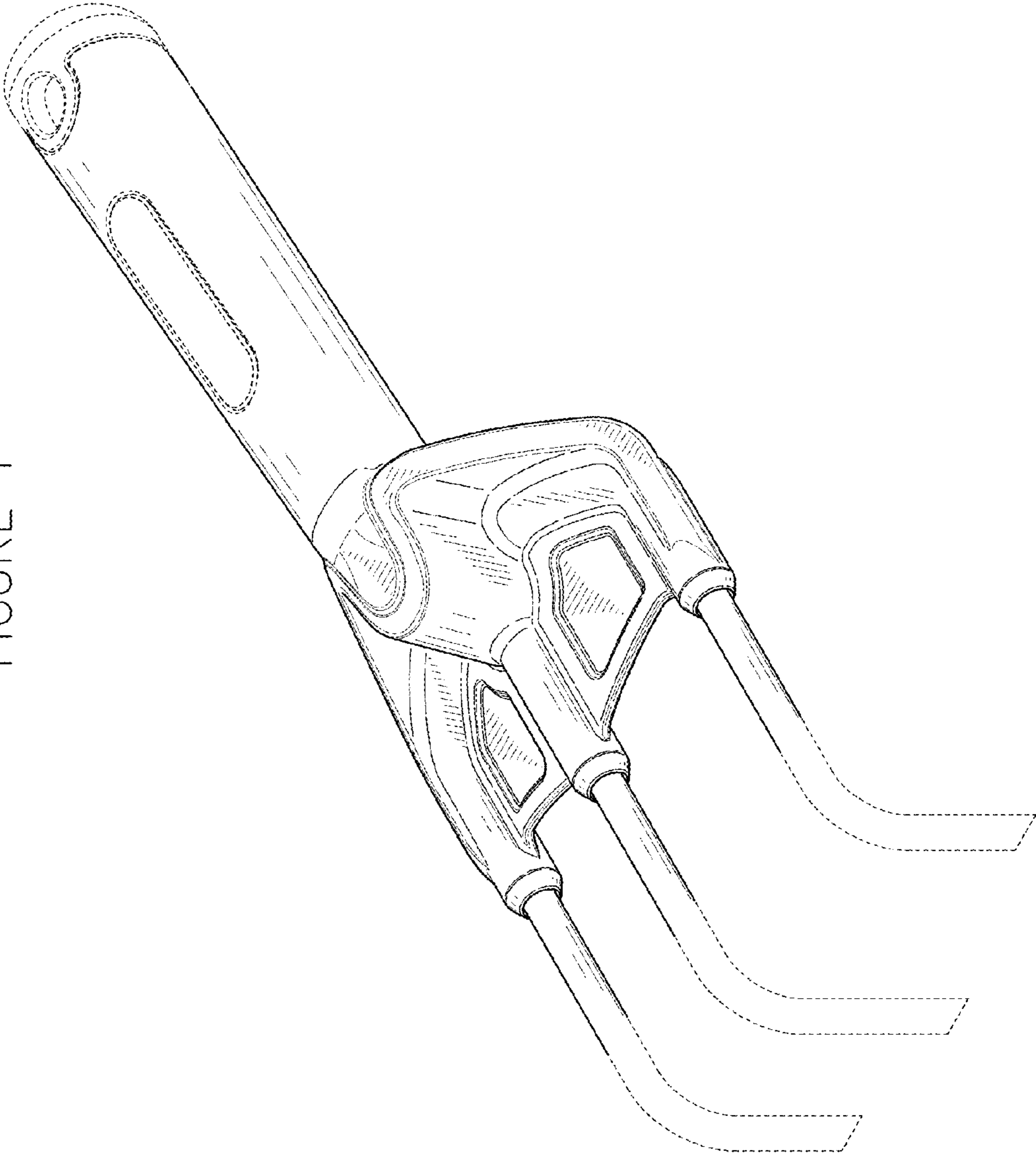


FIGURE 2

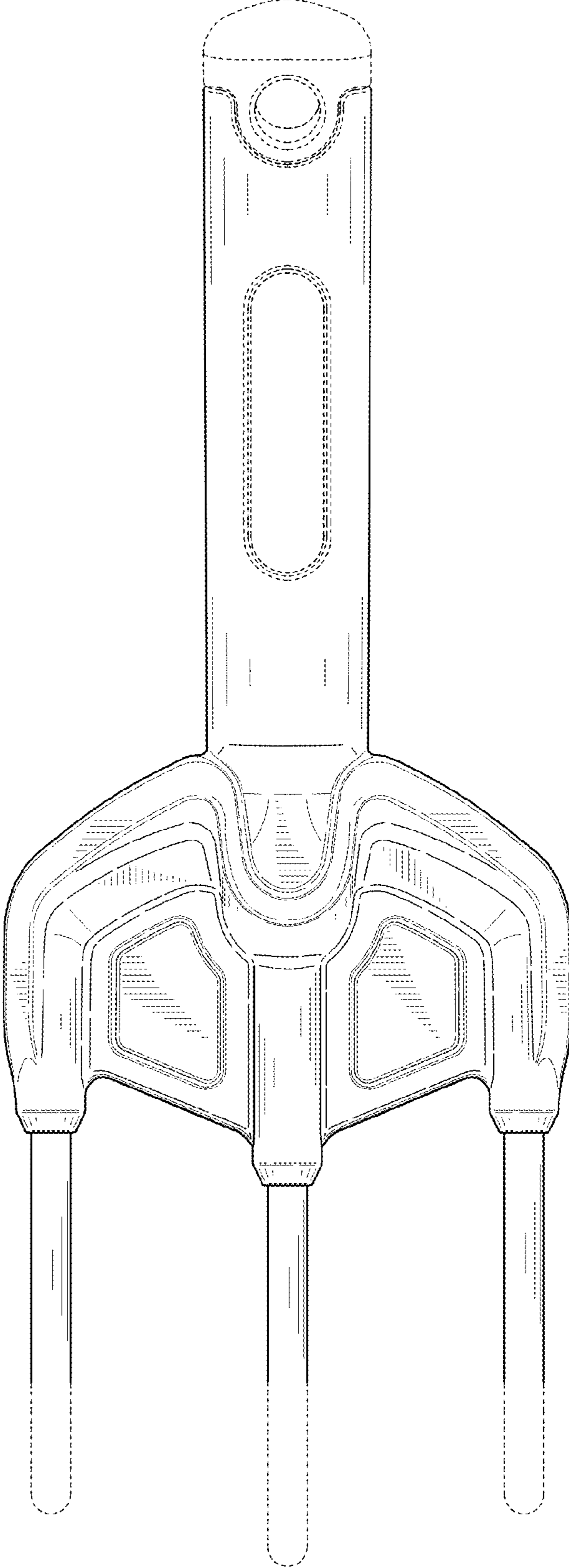


FIGURE 3

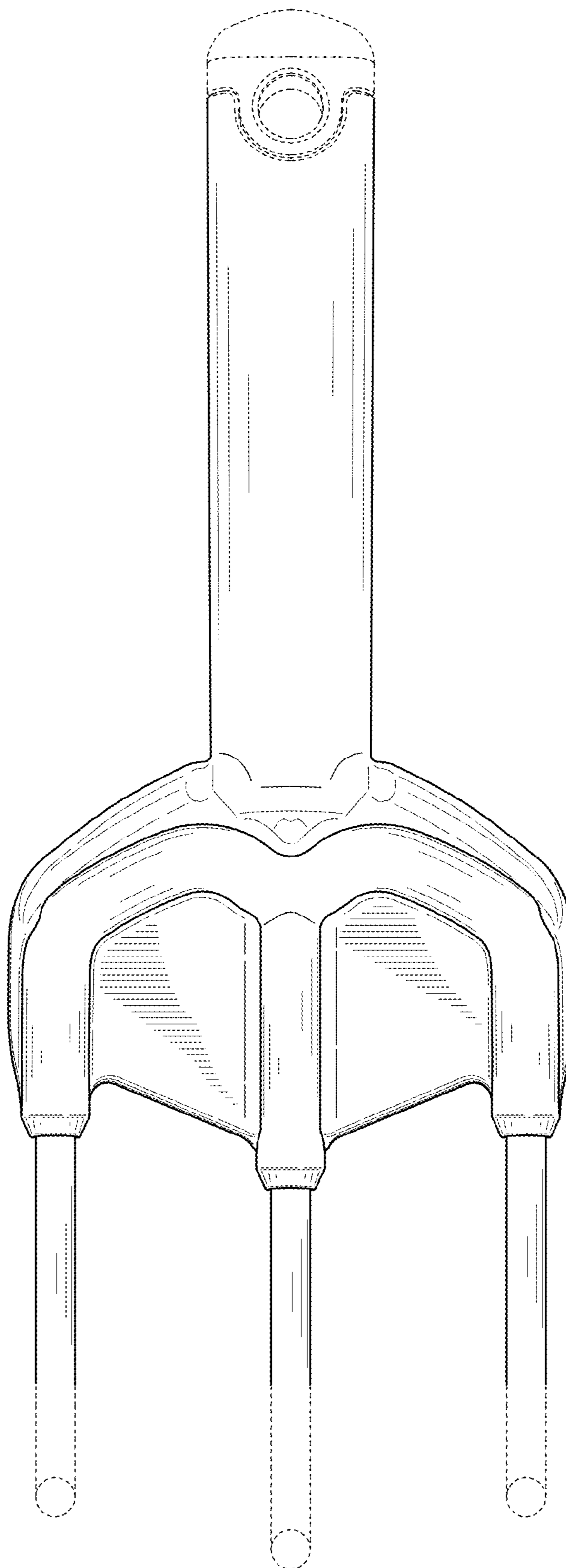


FIGURE 4

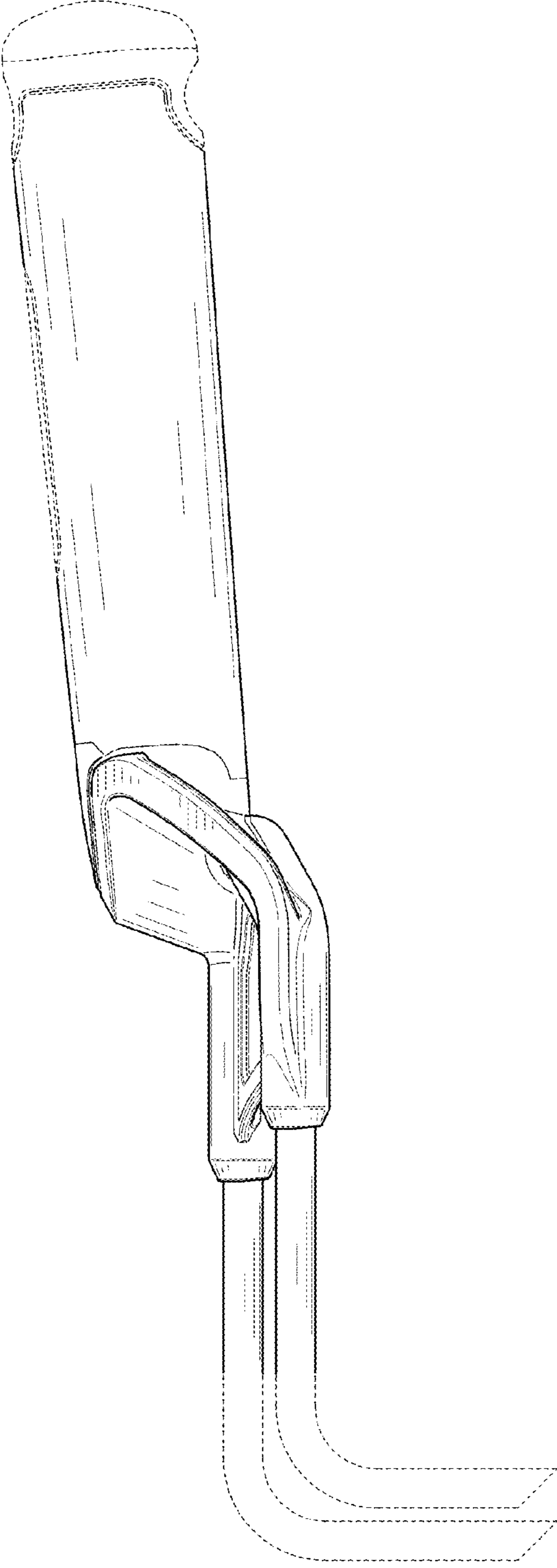


FIGURE 6

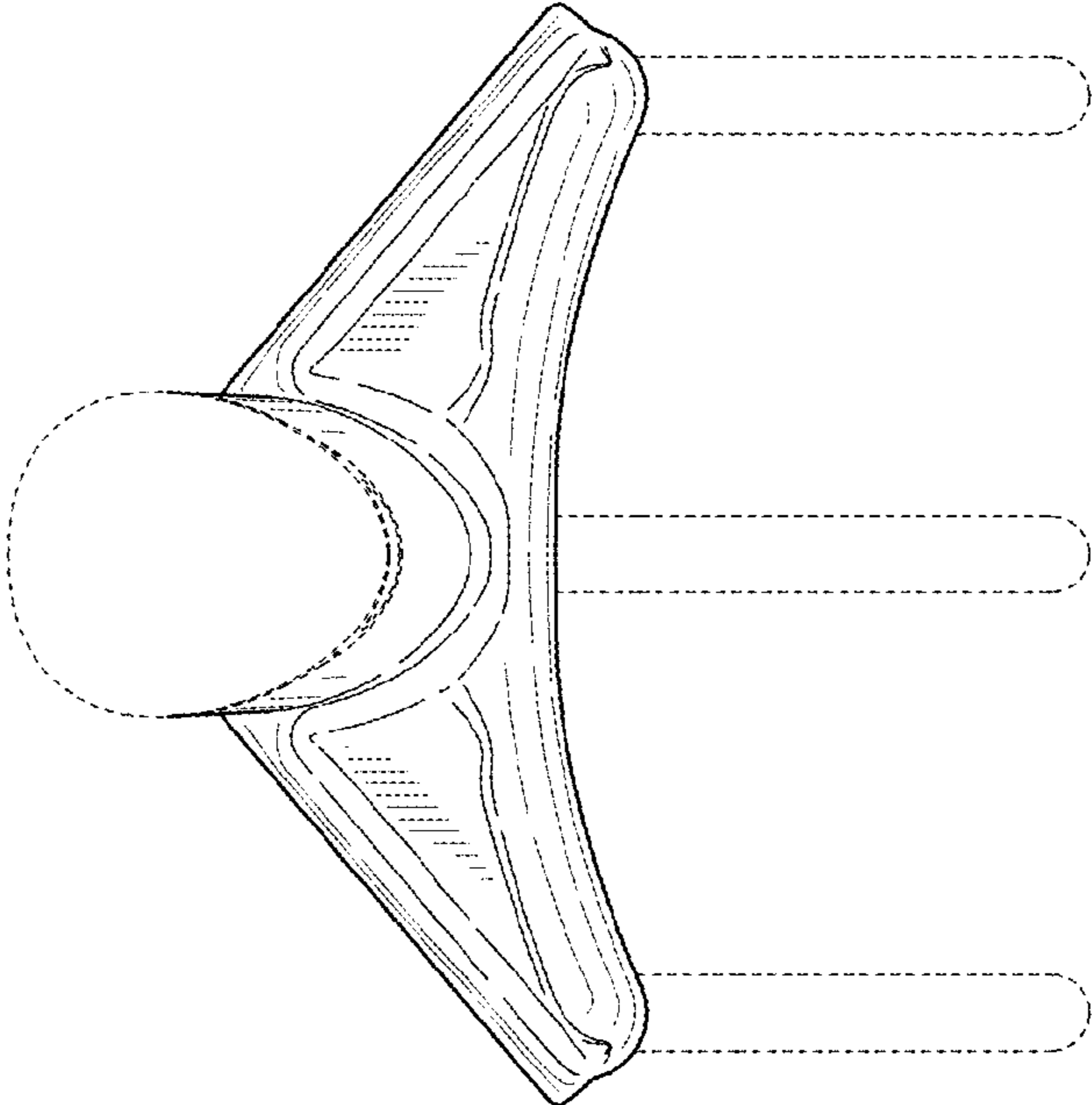


FIGURE 5

