



US00D679962S

(12) **United States Design Patent**
Ruegg et al.

(10) **Patent No.:** **US D679,962 S**

(45) **Date of Patent:** **** Apr. 16, 2013**

(54) **ROTARY GRATER**

(75) Inventors: **Gabriel Jonathan Ruegg**, Brooklyn, NY (US); **Hui Jin**, Brooklyn, NY (US); **Sid Ramnarace**, Rockaway Beach, NY (US)

(73) Assignee: **Lifetime Brands, Inc.**, Garden City, NY (US)

(**) Term: **14 Years**

(21) Appl. No.: **29/414,469**

(22) Filed: **Feb. 29, 2012**

(51) **LOC (9) Cl.** **07-04**

(52) **U.S. Cl.**
USPC **D7/678**

(58) **Field of Classification Search** D7/678,
D7/672-677, 679, 381-385, 412; 241/100,
241/168, 169, 169.1, 273.1-273.4, 30, 33,
241/36, 37.5; 99/495, 510; 30/114, 278,
30/279.6, 280, 286, 287, 373, 389-391
See application file for complete search history.

(56) **References Cited**

U.S. PATENT DOCUMENTS

3,912,176 A * 10/1975 Mantelet 241/93
5,803,378 A * 9/1998 Wolters 241/273.3
D493,074 S * 7/2004 Brousseau et al. D7/678

6,766,972 B1 * 7/2004 Prommel et al. 241/169.1
D517,871 S * 3/2006 Takayama et al. D7/678
D517,873 S * 3/2006 So D7/678
7,137,581 B2 * 11/2006 Takayama et al. 241/169.1
D578,839 S * 10/2008 McGuyer et al. D7/678
7,637,445 B2 * 12/2009 So et al. 241/169.1

* cited by examiner

Primary Examiner — Terry Wallace

(74) *Attorney, Agent, or Firm* — Ryan A. Schneider, Esq.

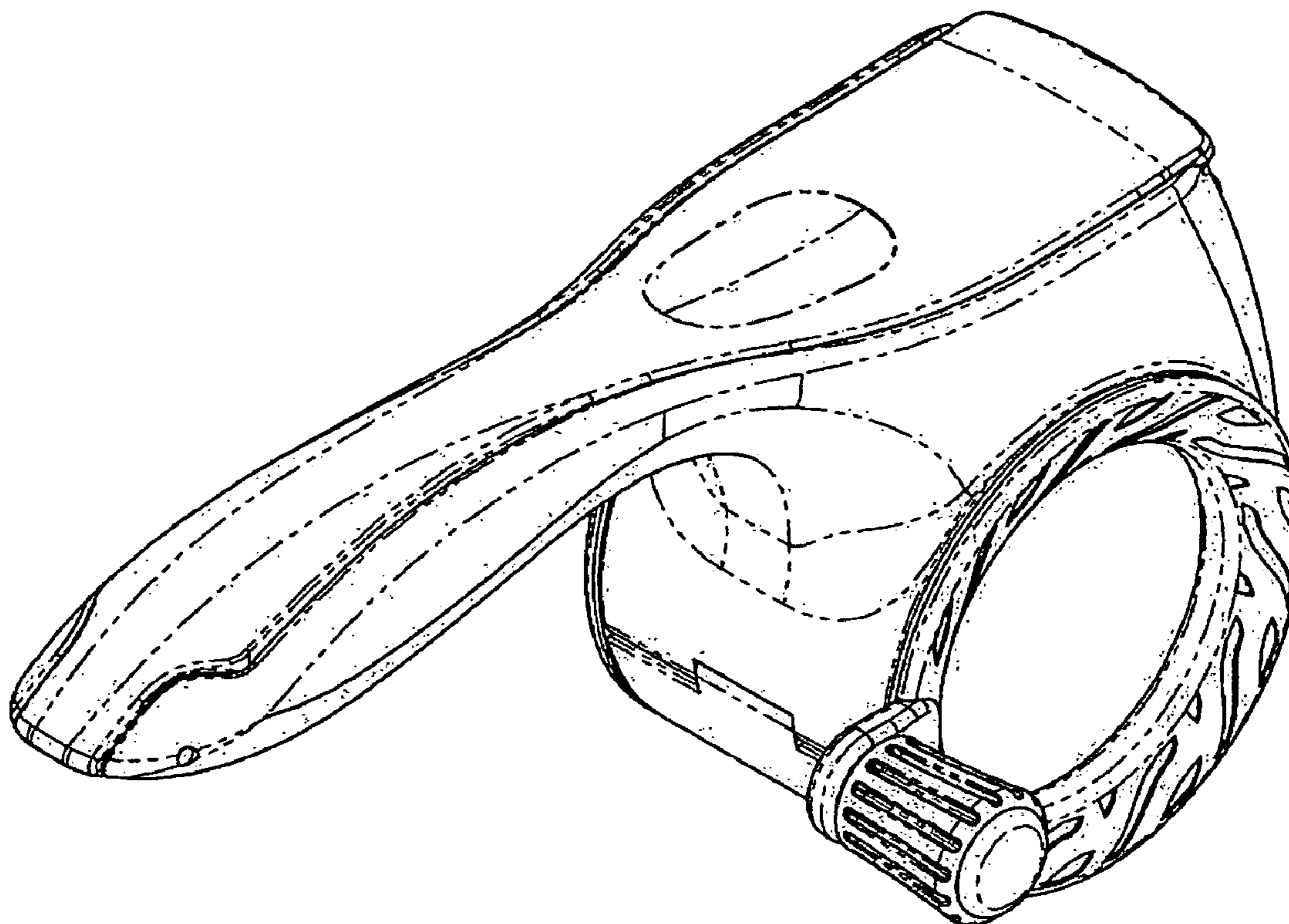
(57) **CLAIM**

The ornamental design for a rotary grater, as shown and described.

DESCRIPTION

FIG. 1 is a side perspective view of the rotary grater of the present invention;
FIG. 2 is the other side perspective view of the rotary grater of FIG. 1;
FIG. 3 is a side elevation view of the rotary grater of FIG. 1;
FIG. 4 is the other side elevation view of the rotary grater of FIG. 1;
FIG. 5 is a top plan view of the rotary grater of FIG. 1;
FIG. 6 is a bottom plan view of the rotary grater of FIG. 1;
FIG. 7 is an end view of the rotary grater of FIG. 1; and,
FIG. 8 is an opposite end view of the rotary grater of FIG. 1.
The broken lines are for illustrative purposes only and form no part of the claimed design.

1 Claim, 4 Drawing Sheets



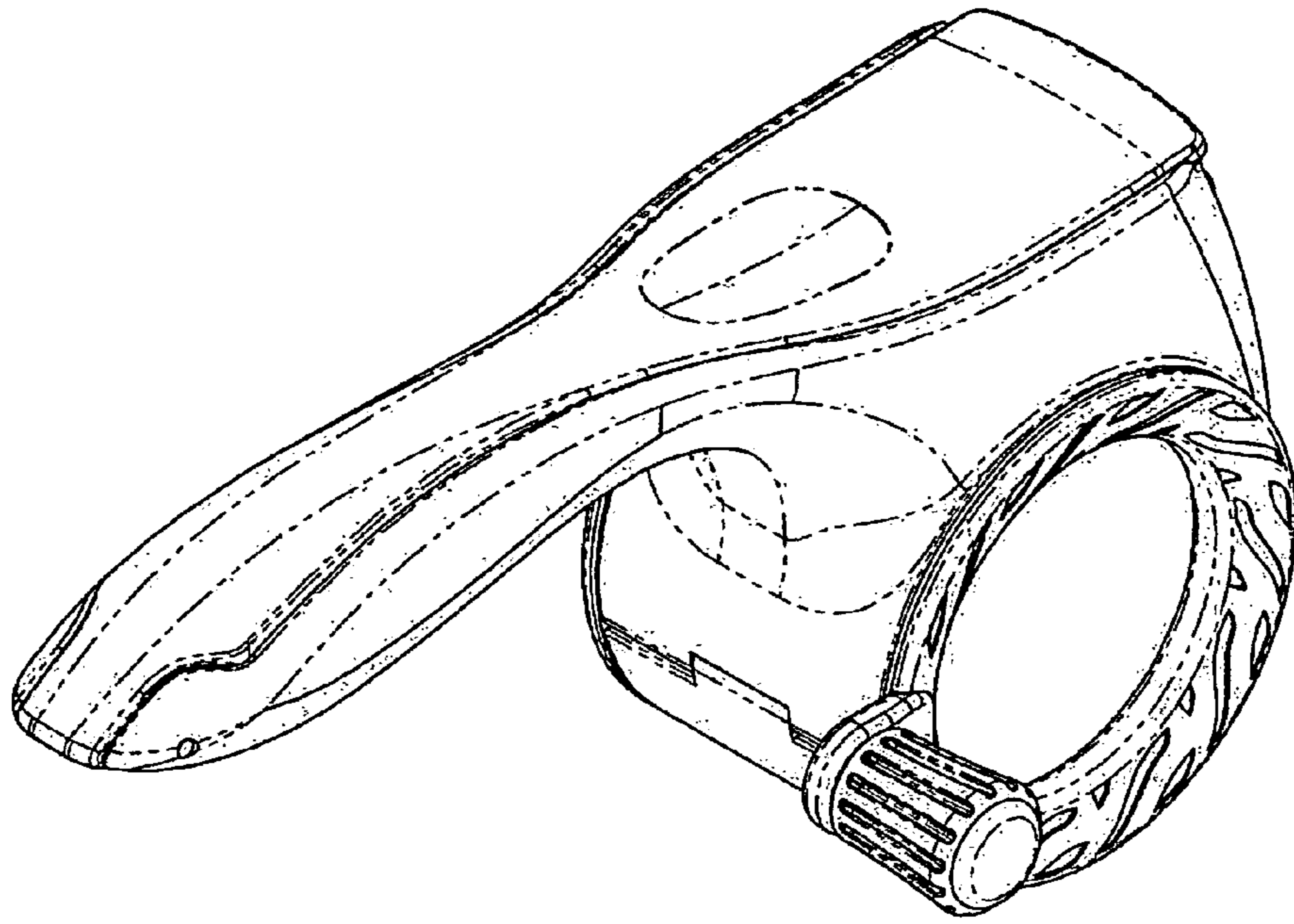


FIG. 1

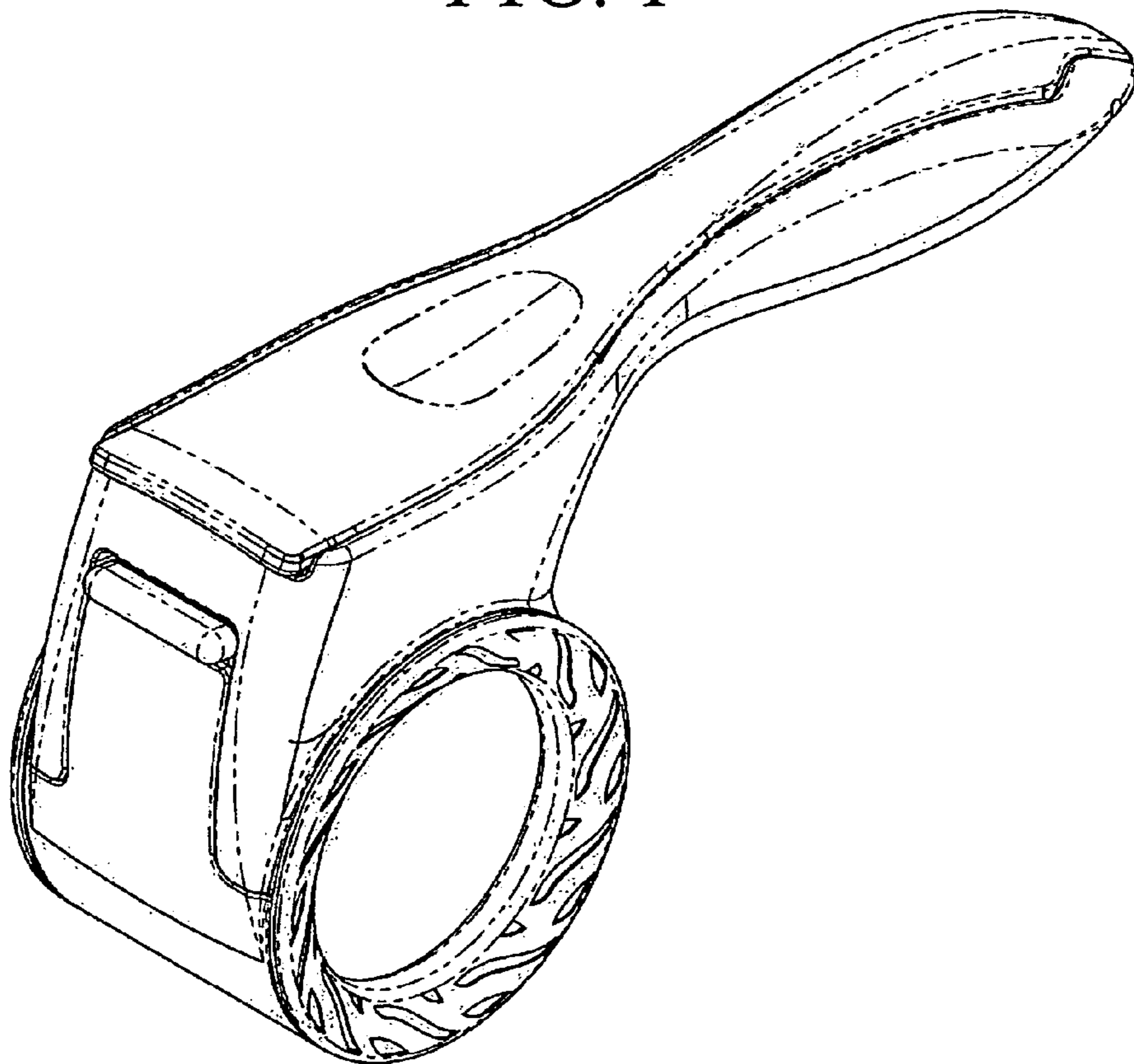


FIG. 2

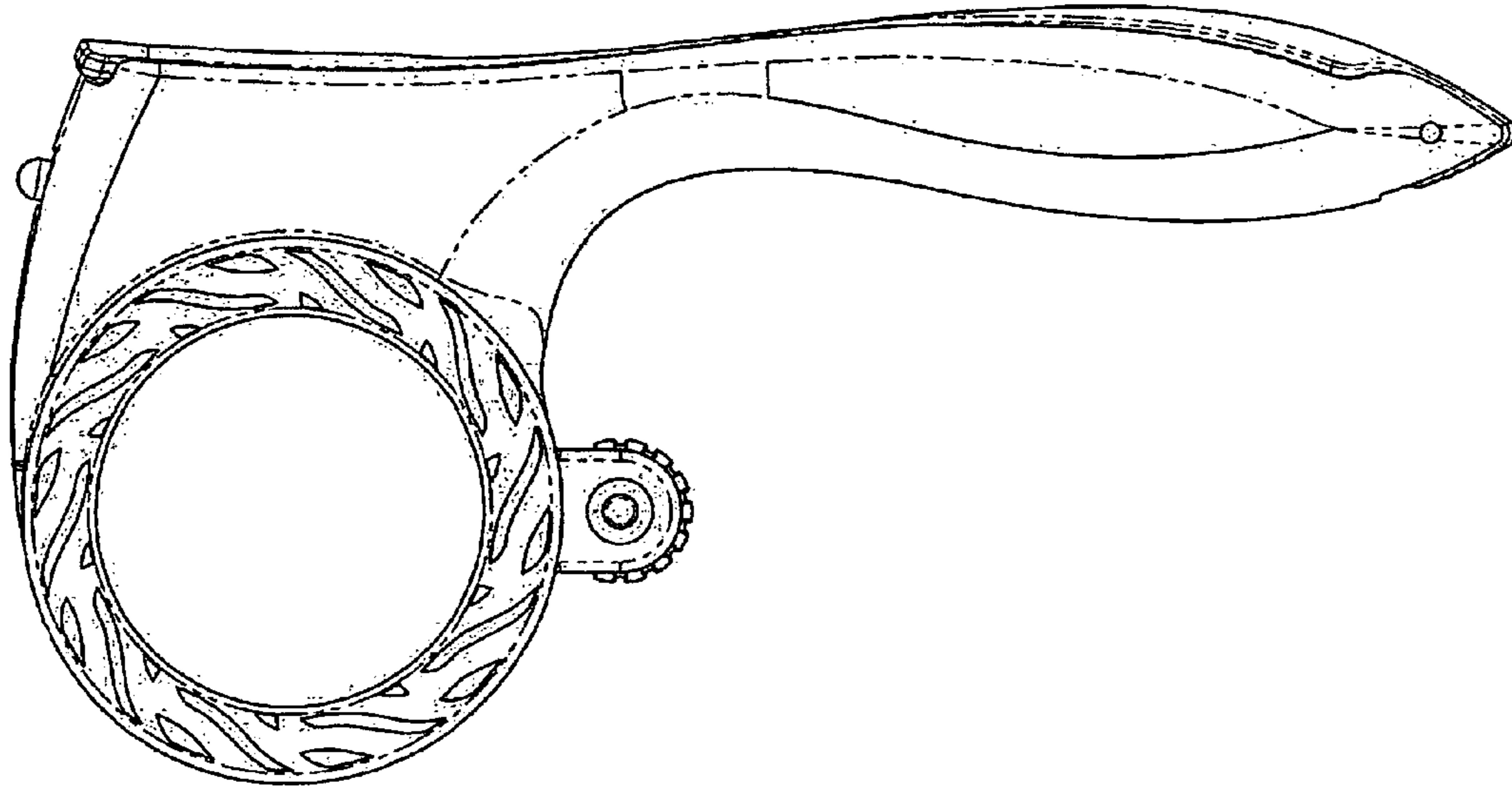


FIG. 3

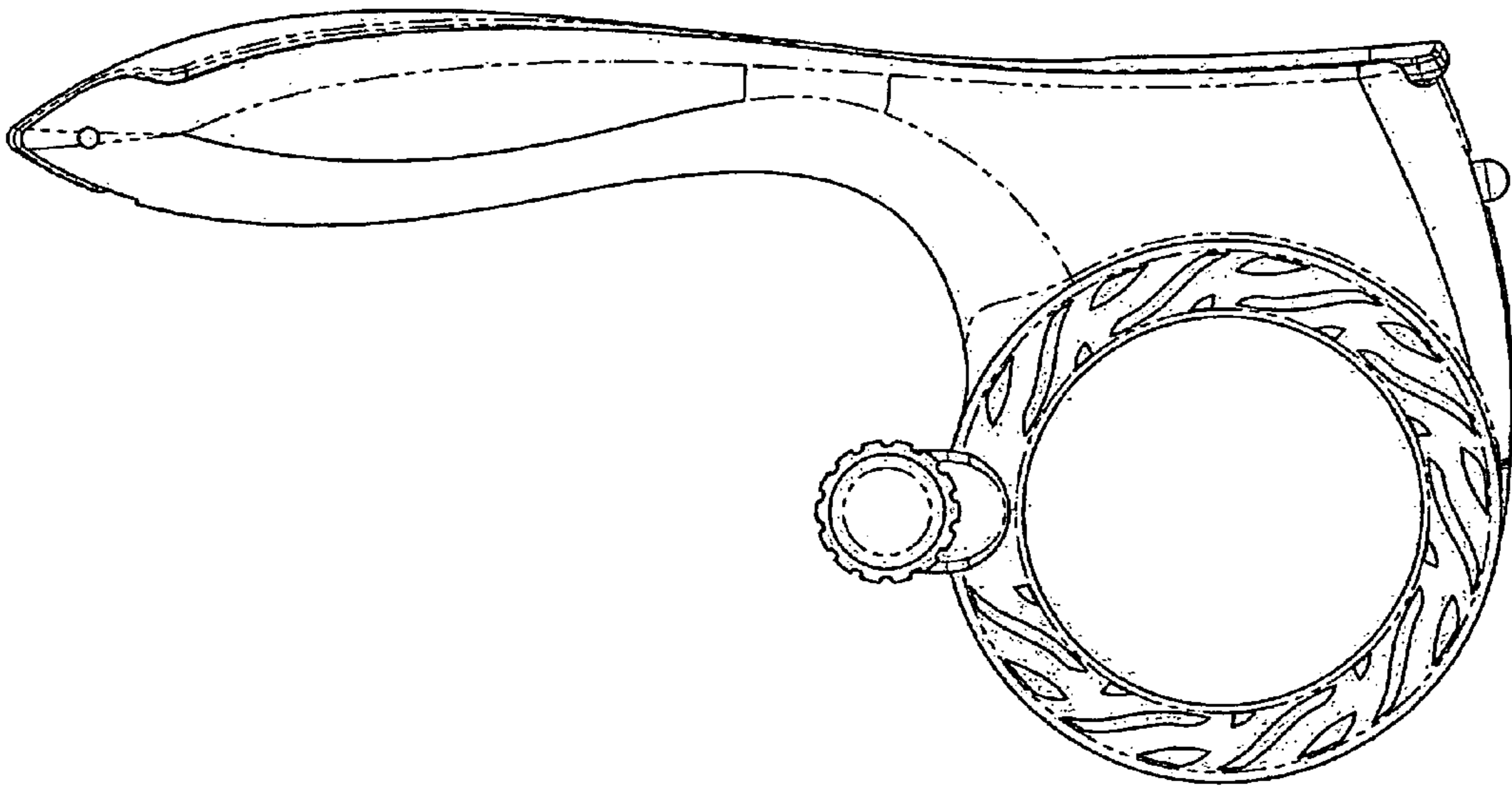


FIG. 4

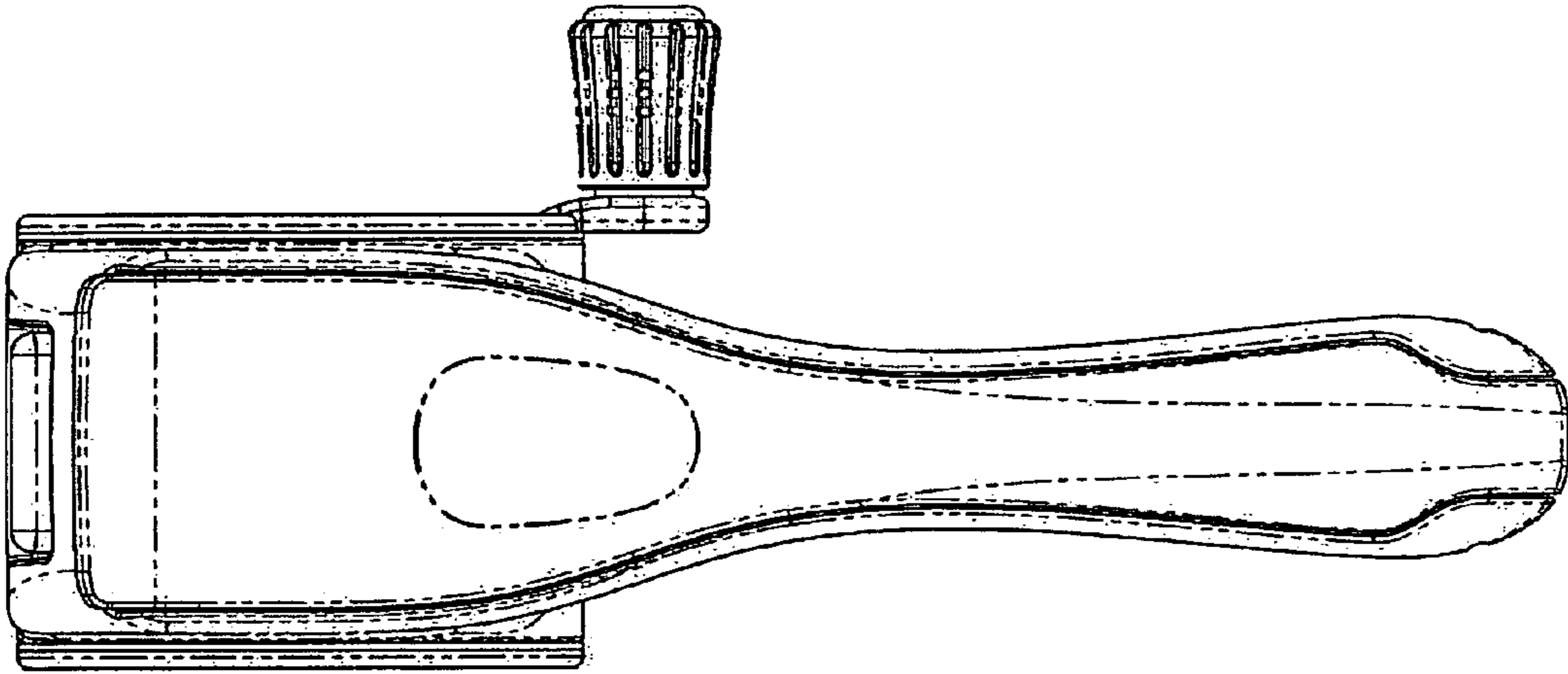


FIG. 5

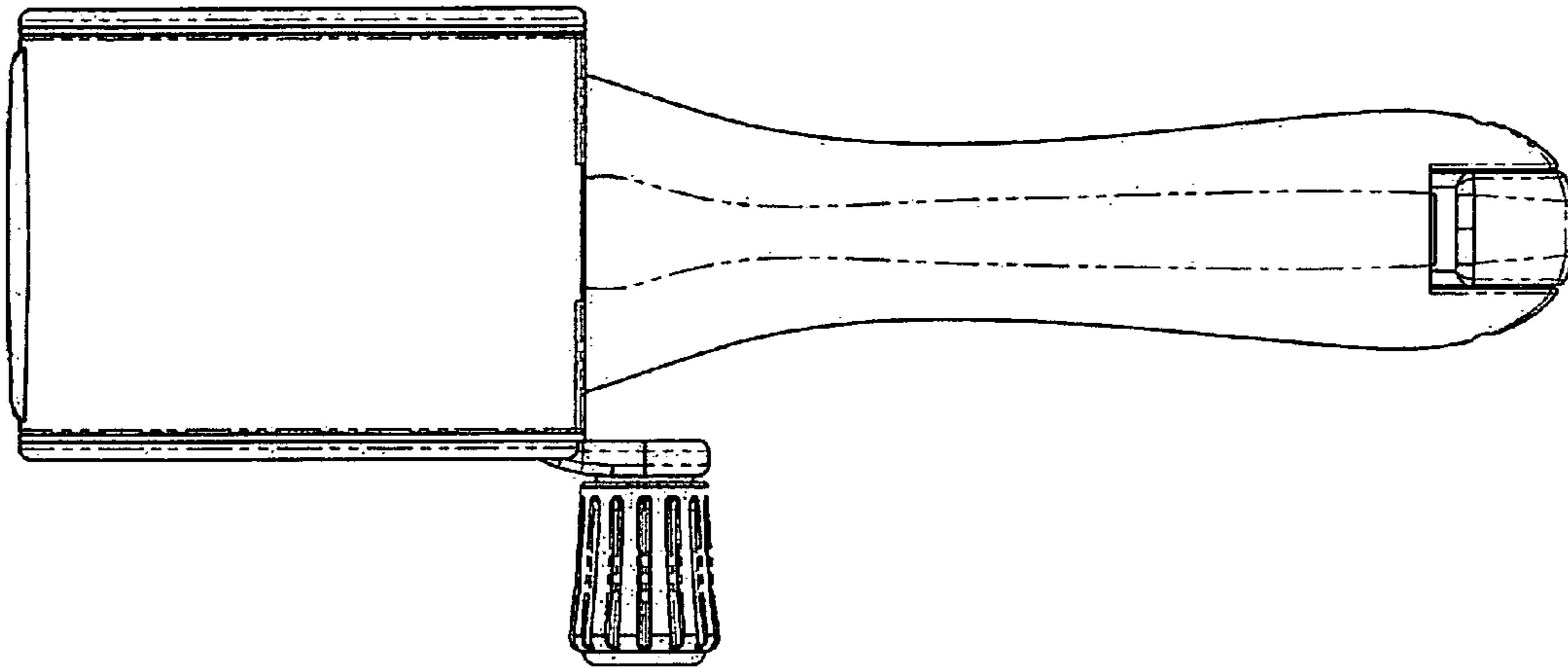


FIG. 6

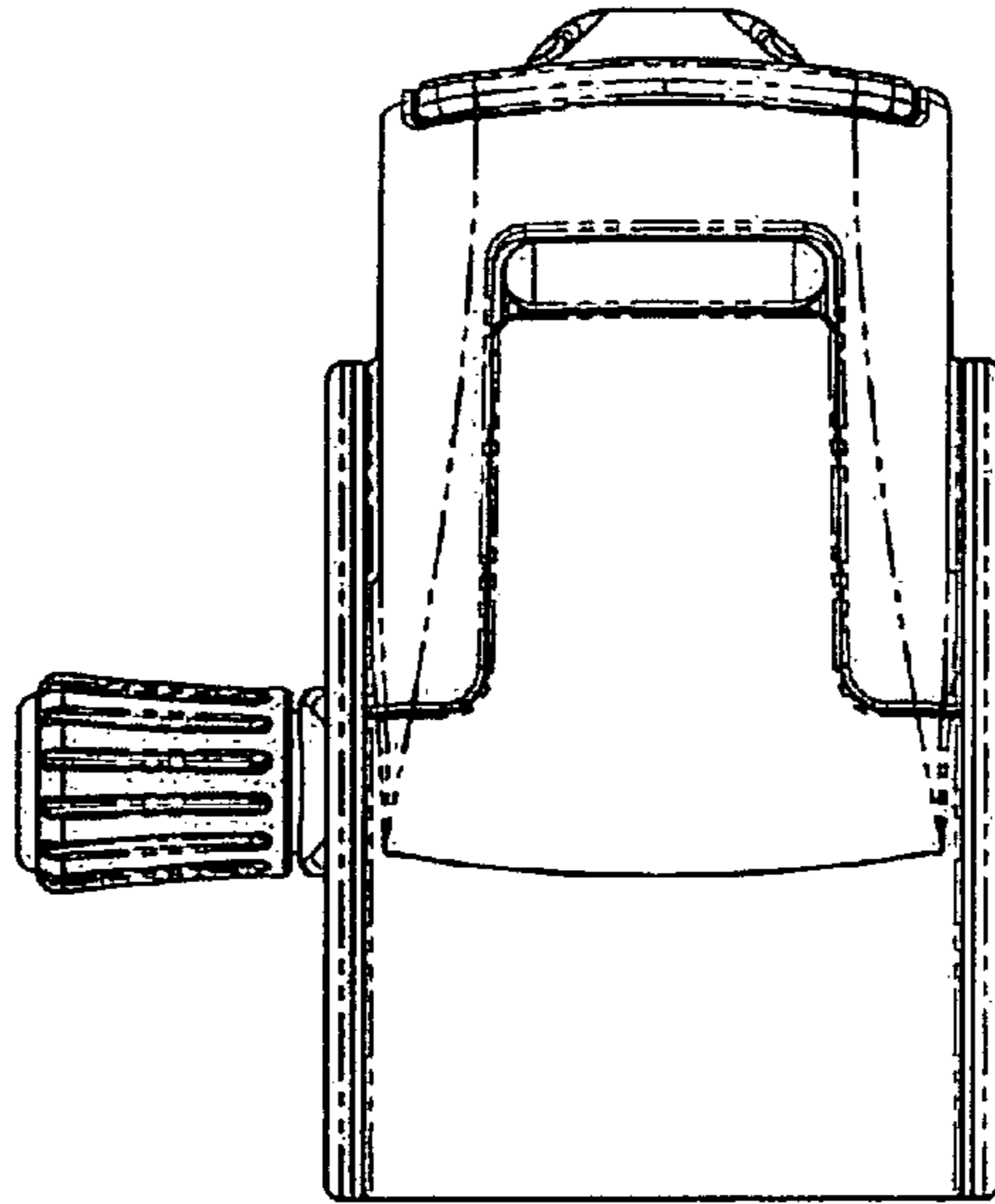


FIG. 7

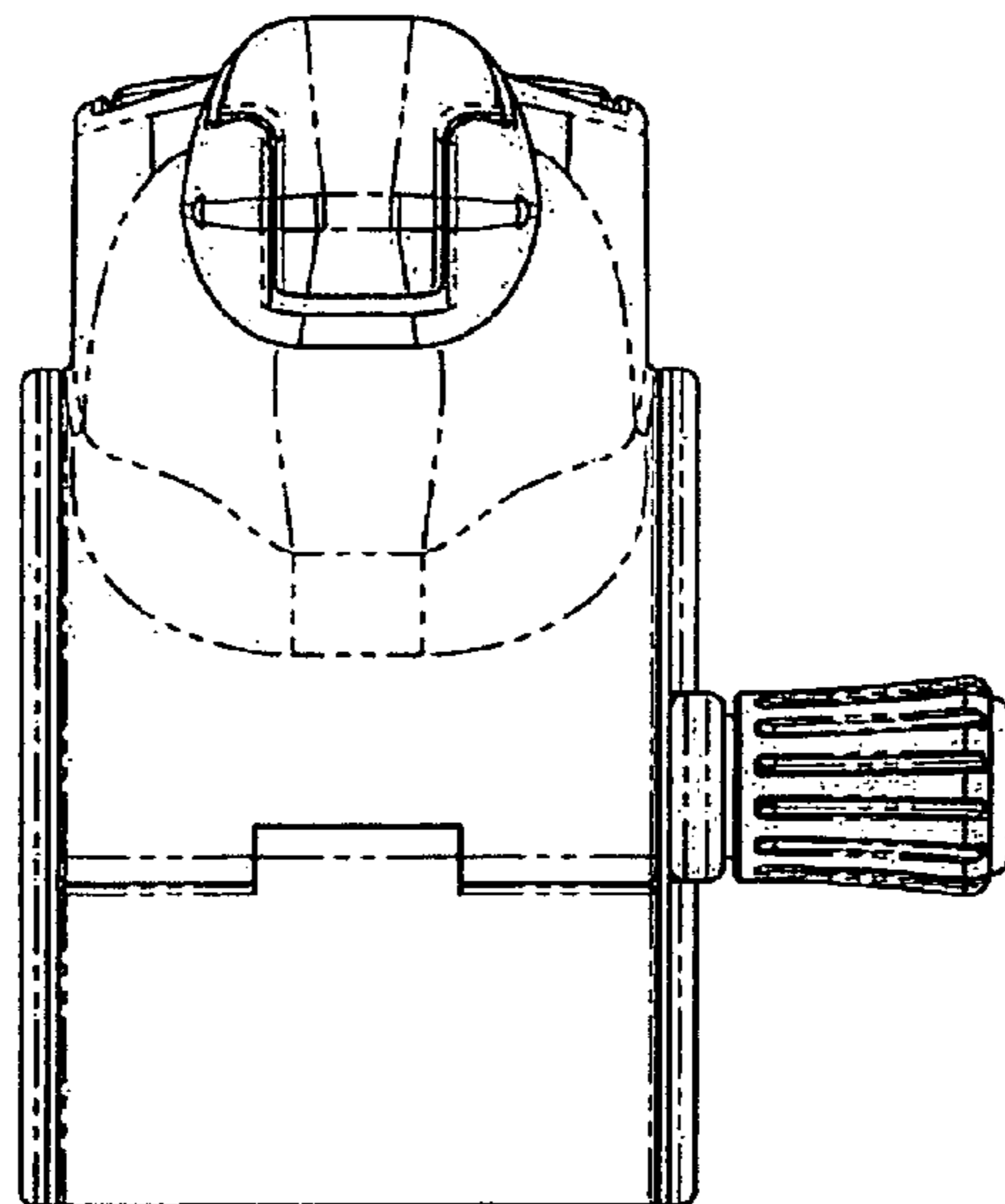


FIG. 8