



US00D679961S

(12) **United States Design Patent**
Zemel

(10) **Patent No.:** **US D679,961 S**
(45) **Date of Patent:** **** Apr. 16, 2013**

- (54) **HAMBURGER PRESS**
- (75) Inventor: **Marc Zemel**, Melville, NY (US)
- (73) Assignee: **Mr. Bar-B-Q-, Inc.**, Old Bethpage, NY (US)
- (**) Term: **14 Years**
- (21) Appl. No.: **29/415,745**
- (22) Filed: **Mar. 14, 2012**
- (51) **LOC (9) Cl.** **07-04**
- (52) **U.S. Cl.**
USPC **D7/672**
- (58) **Field of Classification Search** D7/672-677,
D7/43, 682, 354, 357, 693; 30/301-303,
30/114, 117, 305, 316; 425/284, 298, 299,
425/318; 249/112, 170; 100/295
See application file for complete search history.

D595,998 S 7/2009 Hauser
D621,668 S 8/2010 Zemel
2009/0246311 A1 10/2009 Hauser

OTHER PUBLICATIONS

U.S. Appl. No. 29/408,586, filed Dec. 14, 2011, inventor Marc Zemel.
U.S. Appl. No. 29/408,583, filed Dec. 14, 2011, inventor Marc Zemel.

* cited by examiner

Primary Examiner — Ian Simmons
Assistant Examiner — Shannon Weekley

(74) *Attorney, Agent, or Firm* — Carter, DeLuca, Farrell & Schmidt LLP

(57) **CLAIM**

The ornamental design for a hamburger press, as shown and described.

(56) **References Cited**

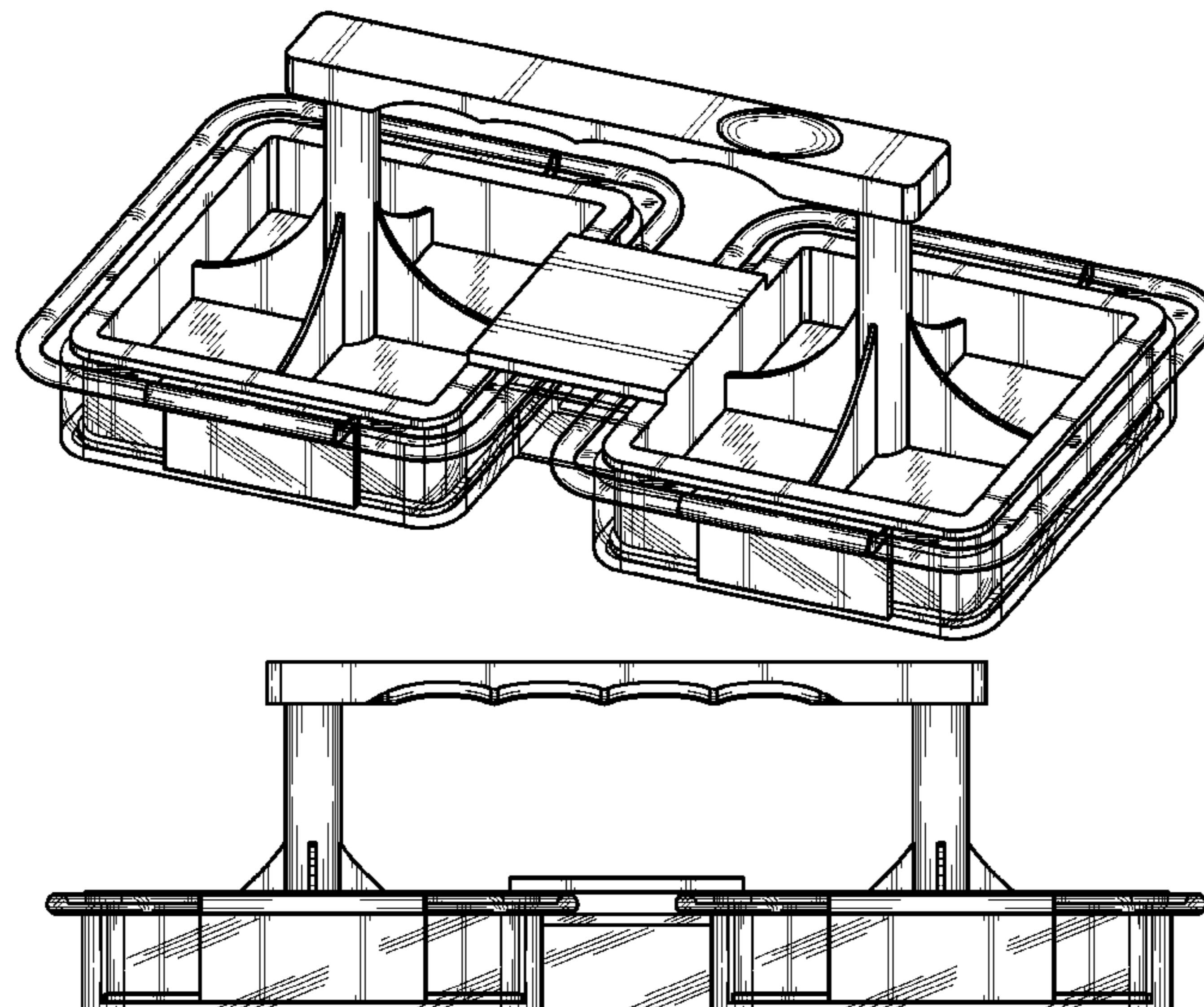
U.S. PATENT DOCUMENTS

388,904	A *	9/1888	Atkinson	30/301
2,191,921	A	2/1940	Ziringer		
D155,422	S	10/1949	Henderson		
2,665,649	A *	1/1954	Cesare	425/299
2,722,713	A	11/1955	Oestermeyer		
D206,606	S	1/1967	Brown		
D234,113	S	1/1975	Wright		
D236,312	S	8/1975	Brown		
3,934,308	A	1/1976	Neri		
D245,827	S	9/1977	Korpi		
4,106,162	A	8/1978	Fournier		
D260,841	S *	9/1981	Gilmore	D7/673
D333,759	S	3/1993	Ferrin		
D352,206	S	11/1994	Davis		
D353,968	S	1/1995	Cock		
D358,969	S *	6/1995	Romanoff	D7/672
D369,948	S	5/1996	Tobiasz		
D377,138	S	1/1997	Angelo		
D414,075	S	9/1999	Mishan		
D575,097	S	8/2008	Courington et al.		

DESCRIPTION

FIG. 1 is a top, front side perspective view of a hamburger press showing my new design;
FIG. 2 is a top plan view thereof;
FIG. 3 is a bottom plan view thereof;
FIG. 4 is a front elevational view, the rear being a mirror image thereof;
FIG. 5 is a right side elevational view, the left being a mirror image thereof;
FIG. 6 is an exploded isometric top, front view of the hamburger press thereof;
FIG. 7 is a top plan view of FIG. 6 thereof;
FIG. 8 is a bottom plan view of FIG. 6 thereof;
FIG. 9 is an exploded front elevational view, the rear elevation being a mirror image thereof; and,
FIG. 10 is an exploded right side elevational view, the left side elevation being a mirror image thereof.

1 Claim, 7 Drawing Sheets



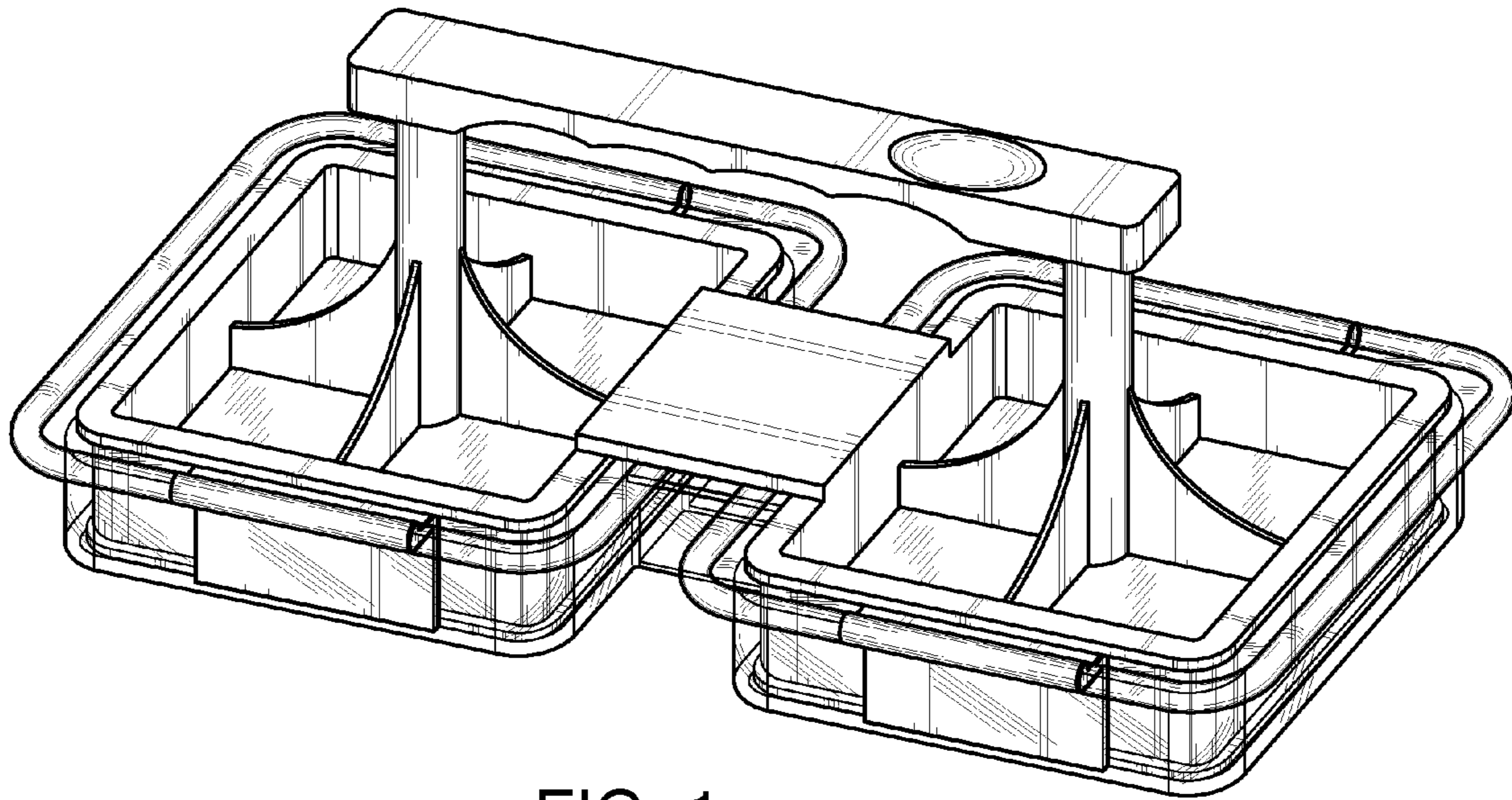


FIG. 1

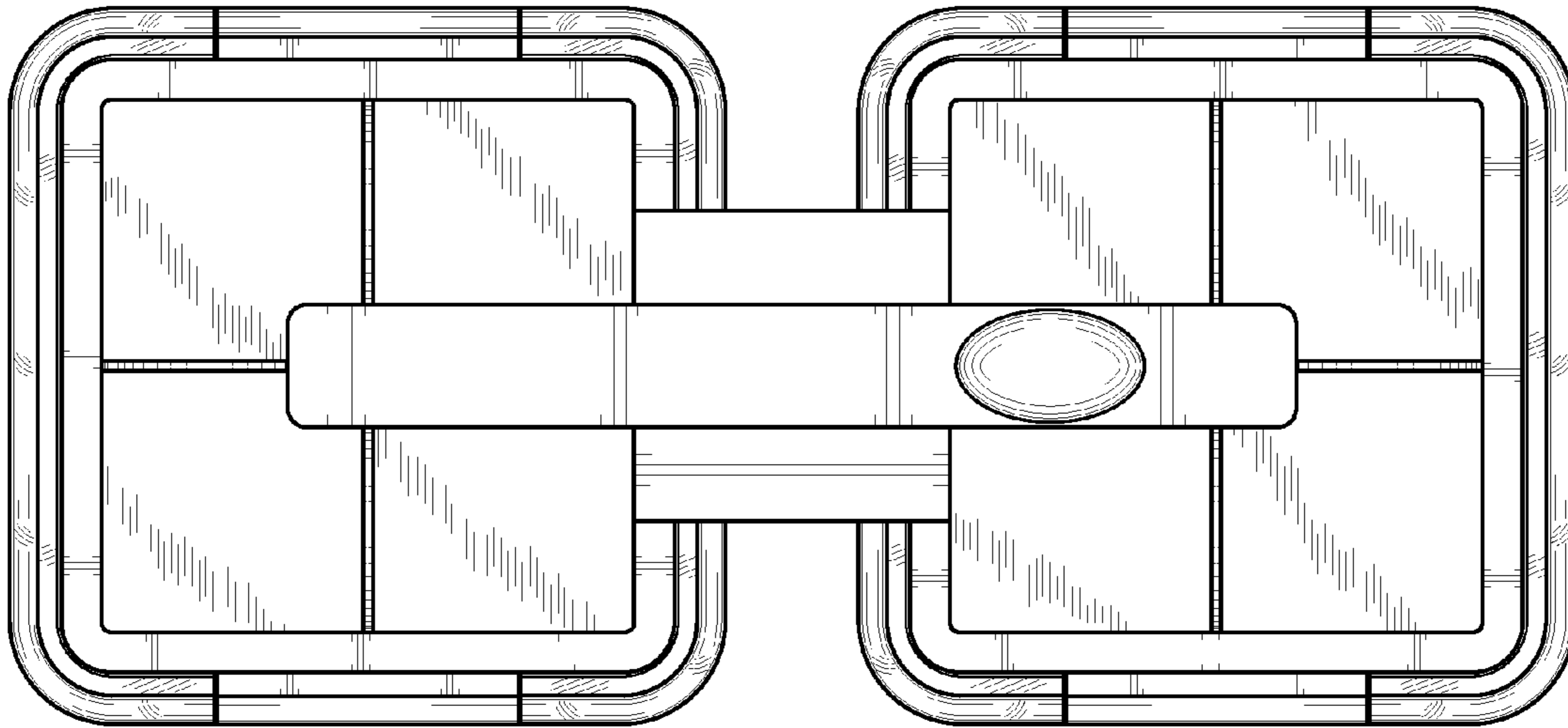


FIG. 2

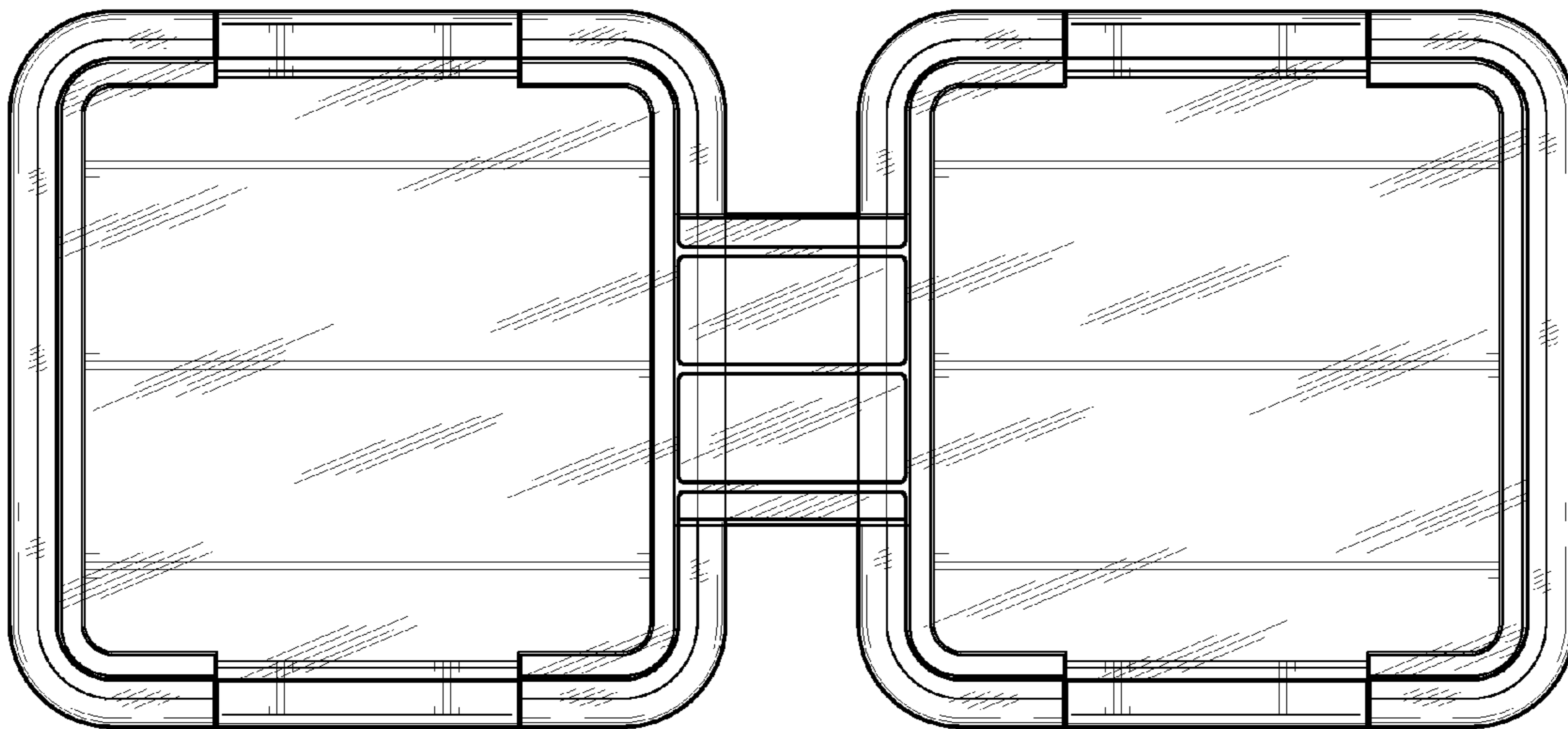


FIG. 3

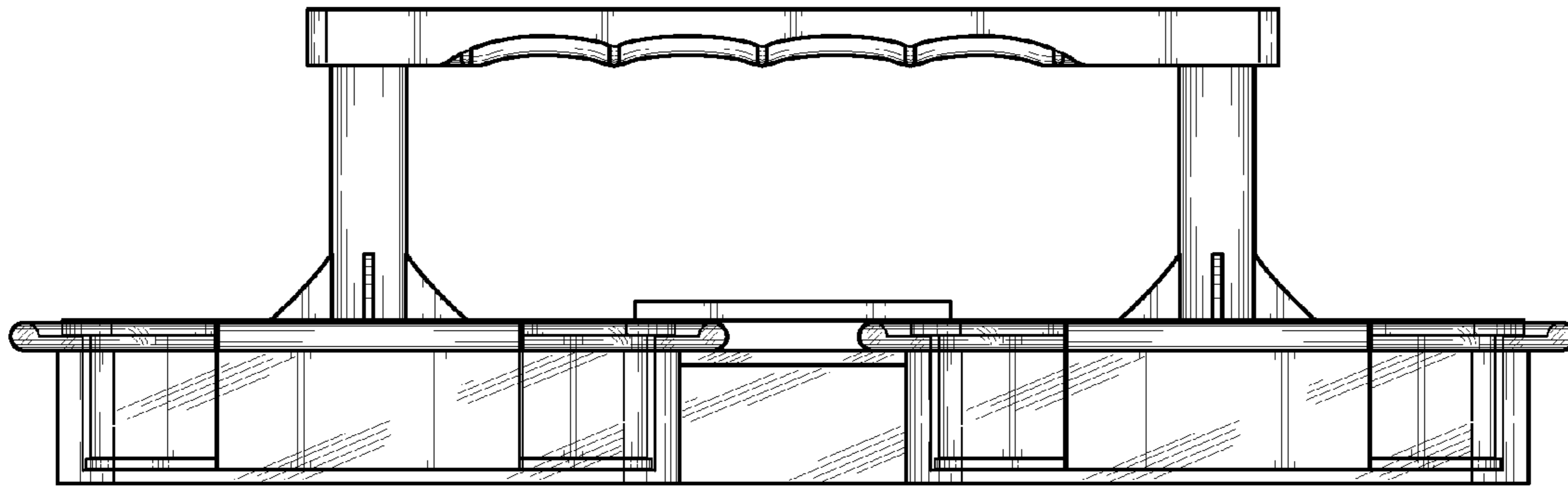


FIG. 4

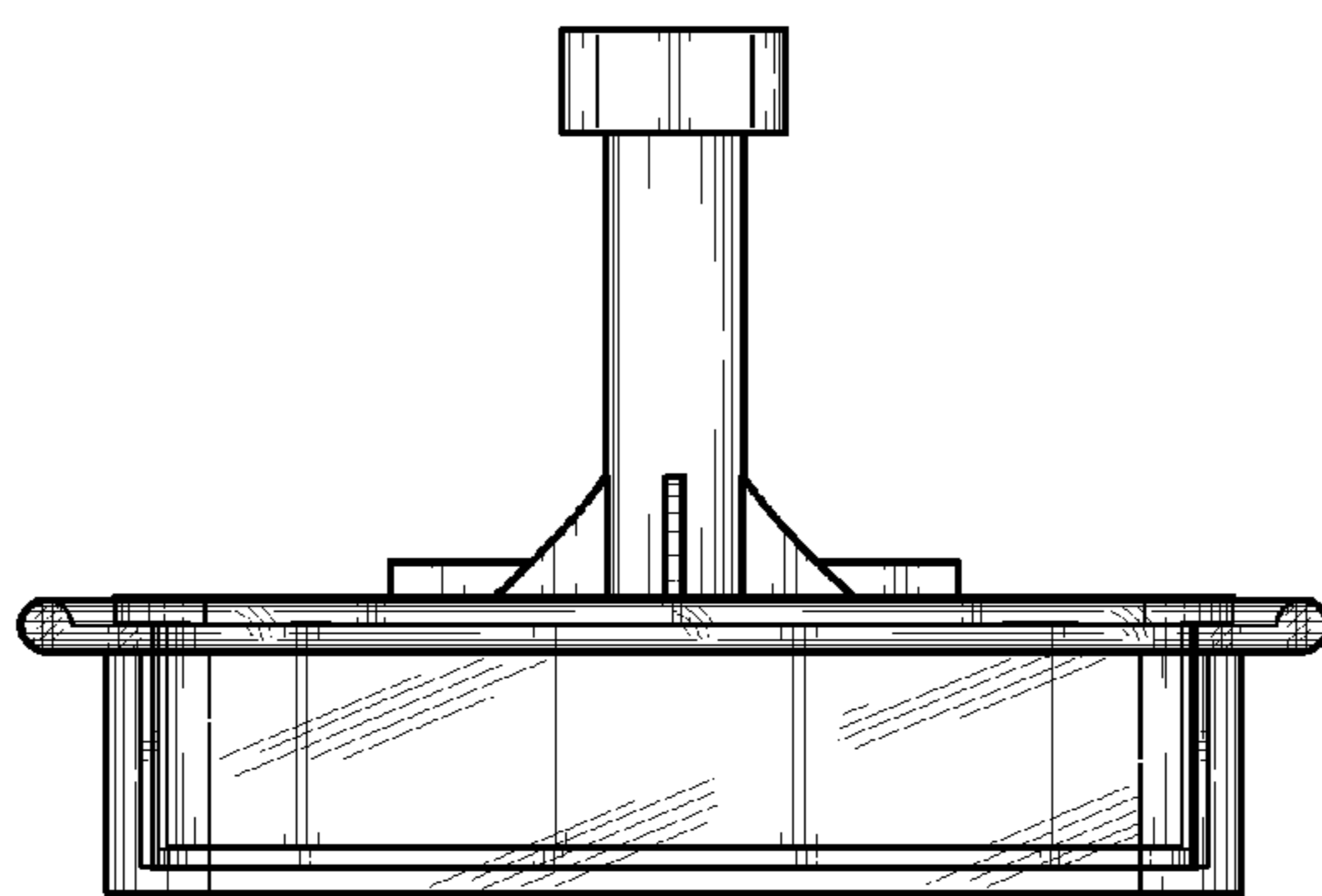


FIG. 5

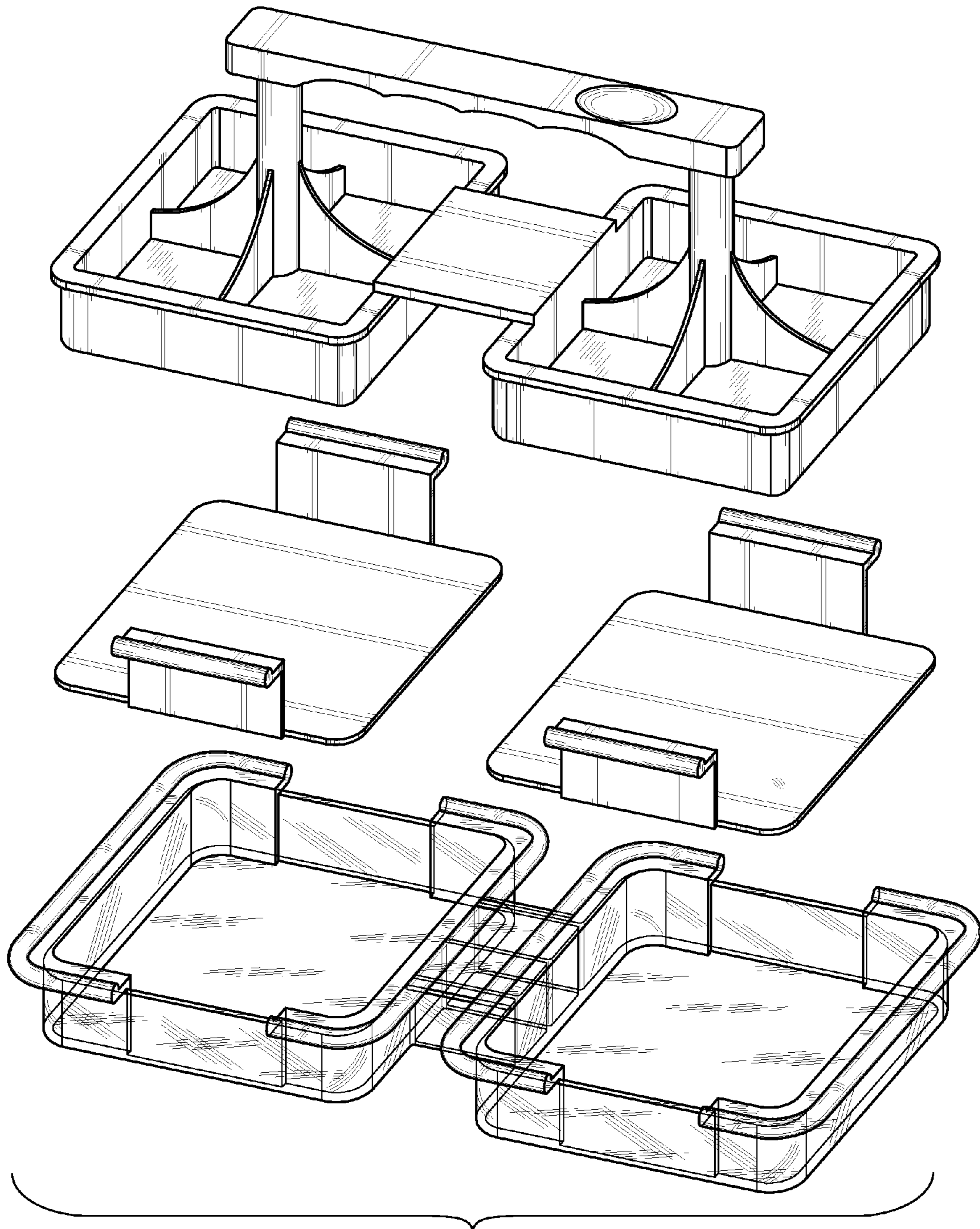


FIG. 6

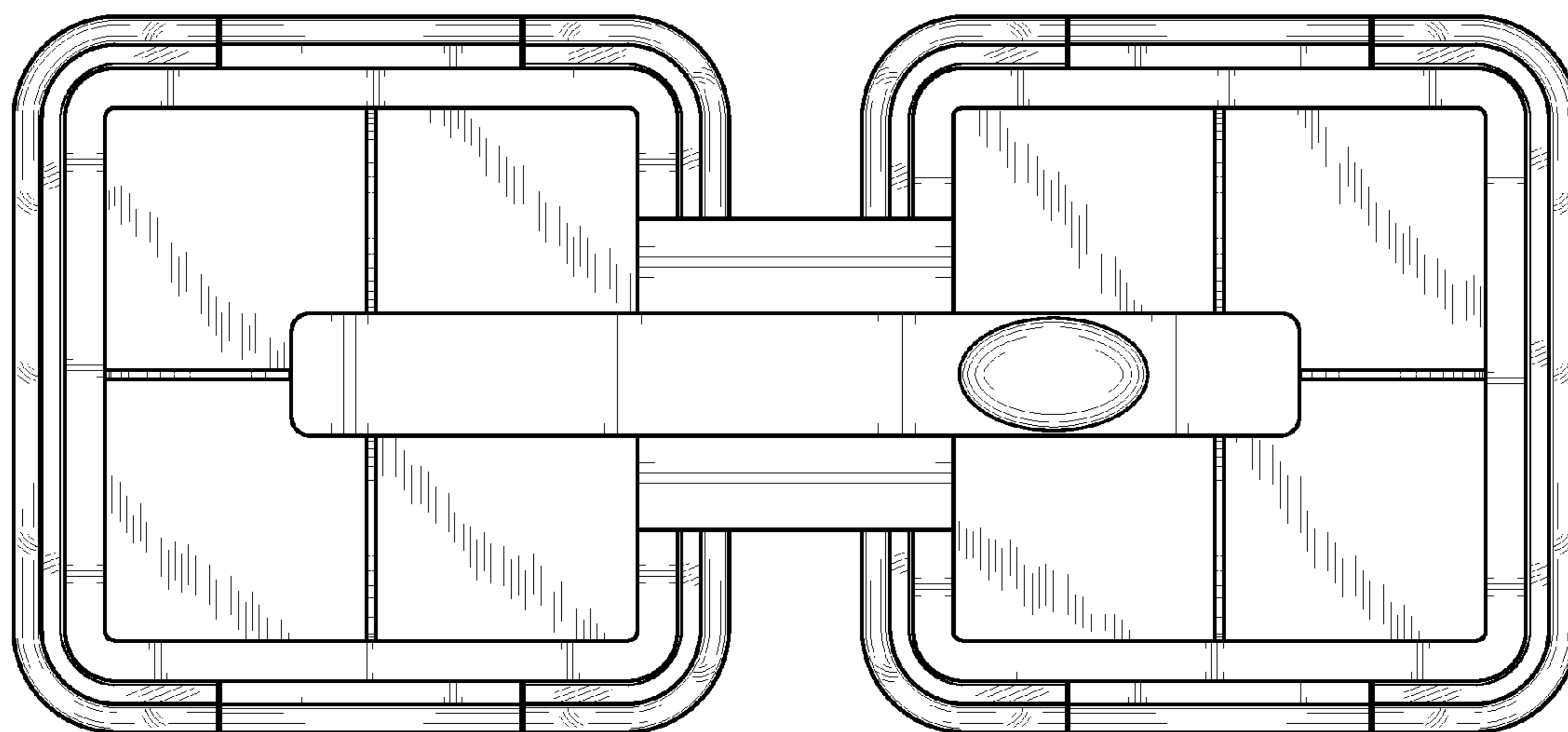


FIG. 7

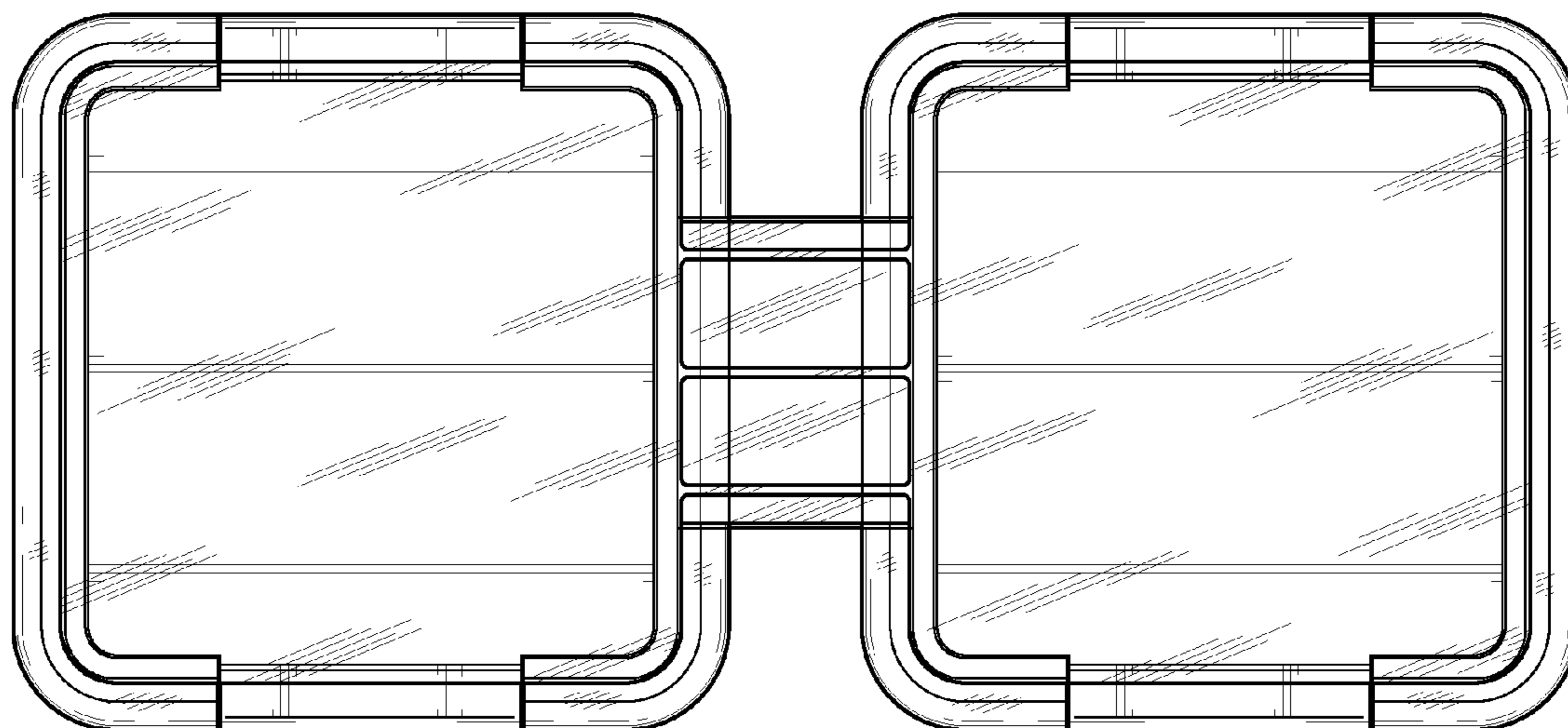


FIG. 8

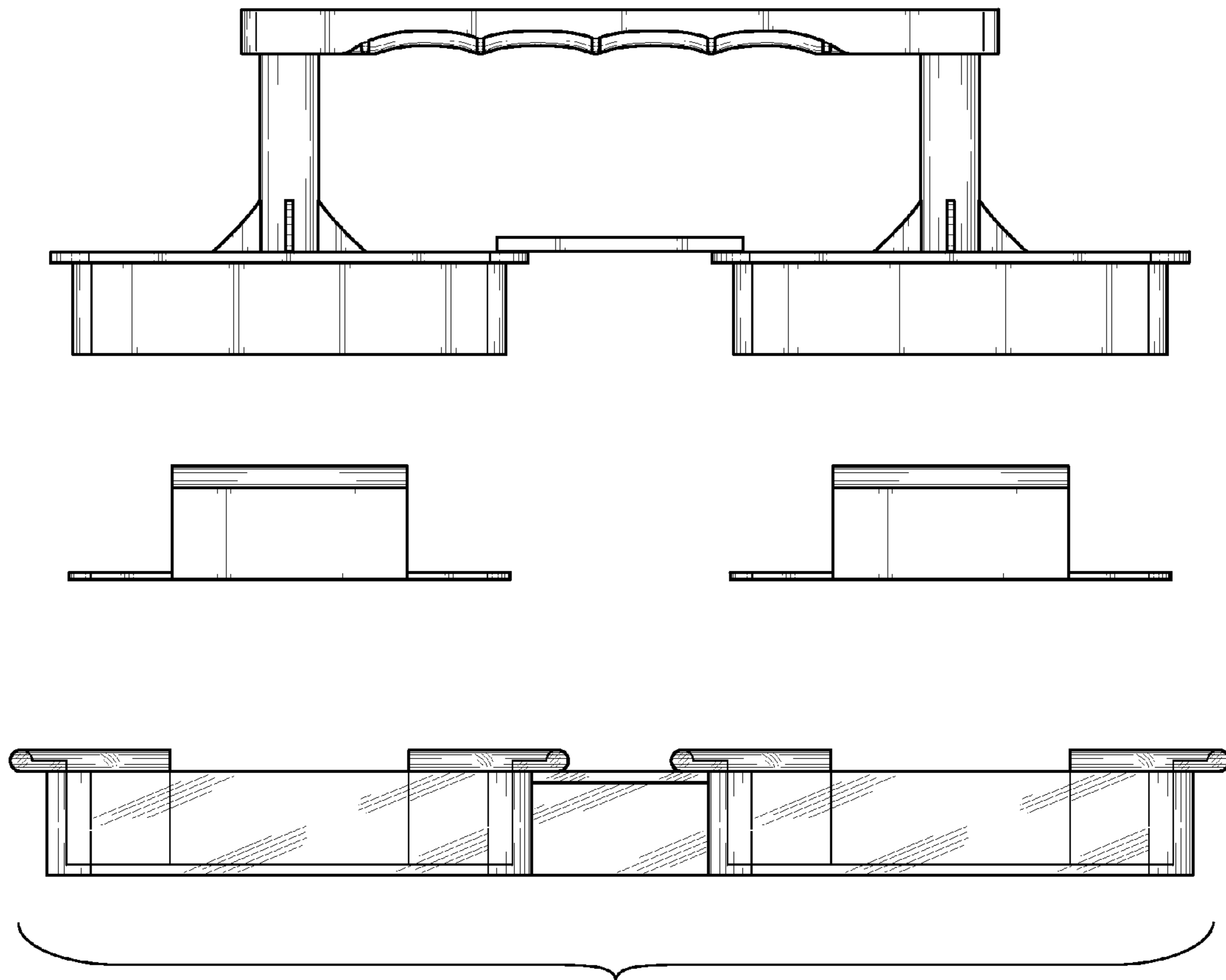


FIG. 9

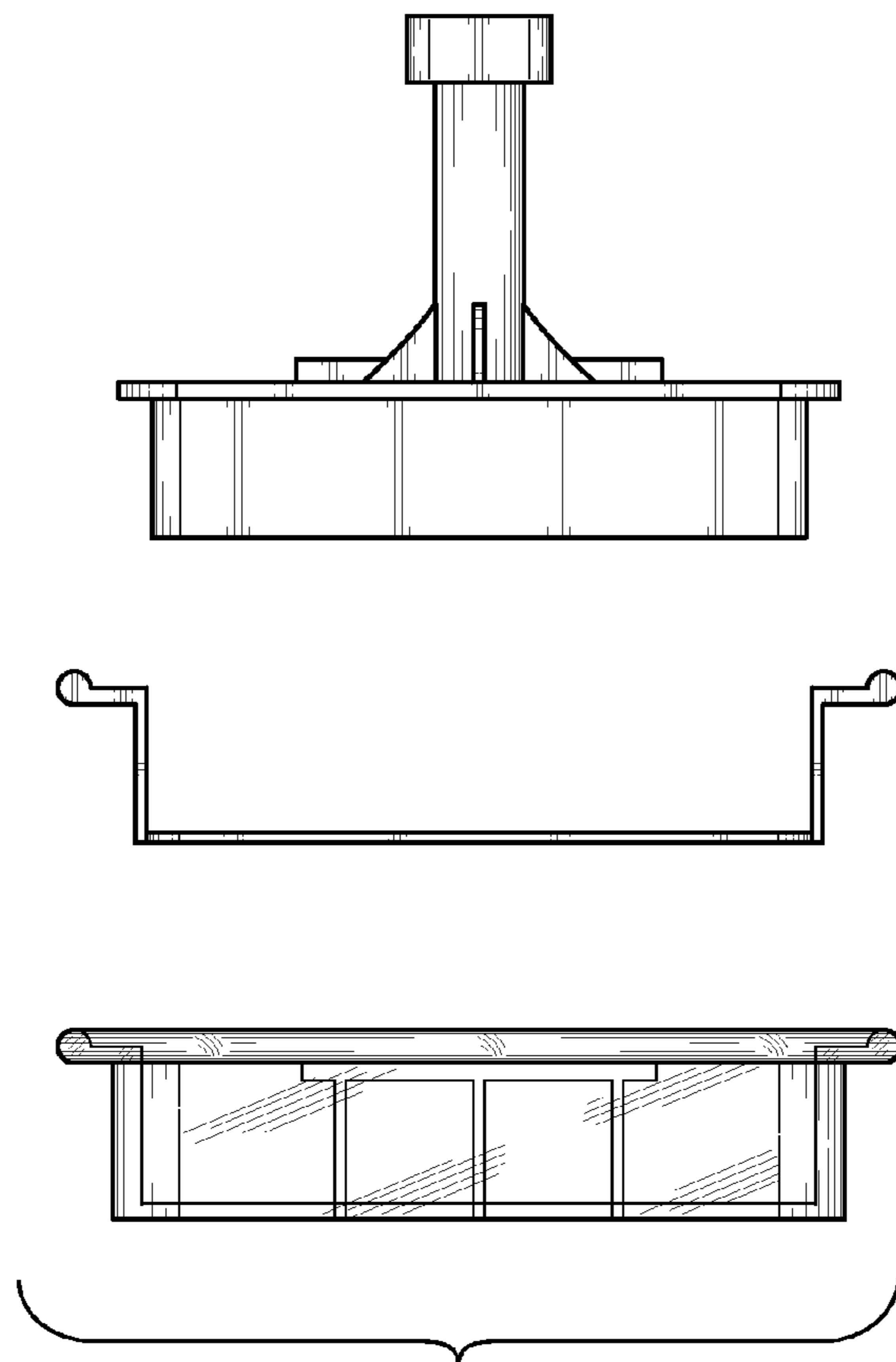


FIG. 10