



US00D679960S

(12) **United States Design Patent**
Hopkins et al.

(10) **Patent No.:** **US D679,960 S**

(45) **Date of Patent:** **** Apr. 16, 2013**

(54) **CANISTER**

(56)

References Cited

(75) Inventors: **Casey Hopkins**, Portland, OR (US);
James Osgood, Chico, CA (US);
Eckehart Zimmermann, Monument,
CO (US); **Scott Rolfson**, Portland, OR
(US); **Ethan Jewett**, Portland, OR (US);
Brett Renlund, Forest Ranch, CA (US)

U.S. PATENT DOCUMENTS

4,399,926 A *	8/1983	Eidels-Dubovoy	220/288
D405,654 S *	2/1999	Moran	D7/629
D557,994 S *	12/2007	Wahl	D7/629
D587,534 S *	3/2009	Carreno	D7/629
D593,372 S *	6/2009	Carreno	D7/629
D593,811 S *	6/2009	Carreno	D7/629
D622,554 S *	8/2010	Carreno	D7/629
D629,657 S *	12/2010	Carreno	D7/629
D643,694 S *	8/2011	Lu	D7/629

(73) Assignee: **Klean Kanteen, Inc.**, Chico, CA (US)

* cited by examiner

(**) Term: **14 Years**

Primary Examiner — Terry Wallace

(21) Appl. No.: **29/423,980**

(74) *Attorney, Agent, or Firm* — Alleman Hall McCoy
Russell & Tuttle LLP

(22) Filed: **Jun. 6, 2012**

(57) **CLAIM**

The ornamental design for a canister, as shown and described.

(51) **LOC (9) Cl.** **07-07**

DESCRIPTION

(52) **U.S. Cl.**
USPC **D7/629**

FIG. 1. is a top perspective view of a canister according to the
present invention.

(58) **Field of Classification Search** D7/601,
D7/602, 629, 538-542, 612-615; D9/502,
D9/541, 574, 575, 516; 220/780-806, 574-575,
220/675, 573.1, 660, 260, 288, 326, 236,
220/4.21, 4.24, 4.27, 669-673, 23.83, 23.4

FIG. 2 is another top perspective view of the canister of FIG.
1.

FIG. 3 is a front view of the canister of FIG. 1.

FIG. 4 is a top view of the canister of FIG. 1; and,

FIG. 5 is a bottom view of the canister of FIG. 1.

The dashed lines in the figures are for environmental purposes
only and form no part of the claimed design.

See application file for complete search history.

1 Claim, 2 Drawing Sheets

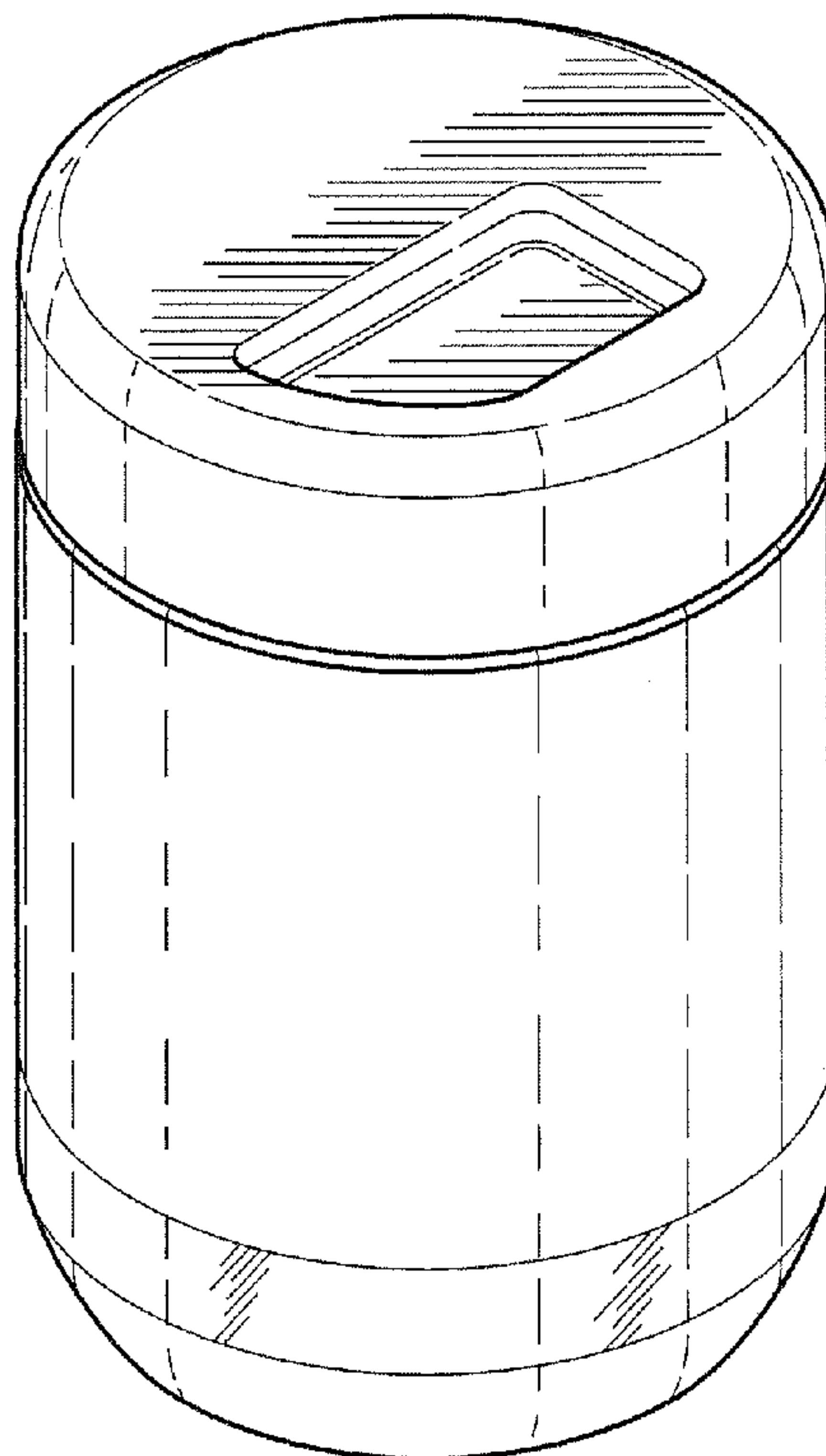


Fig. 1

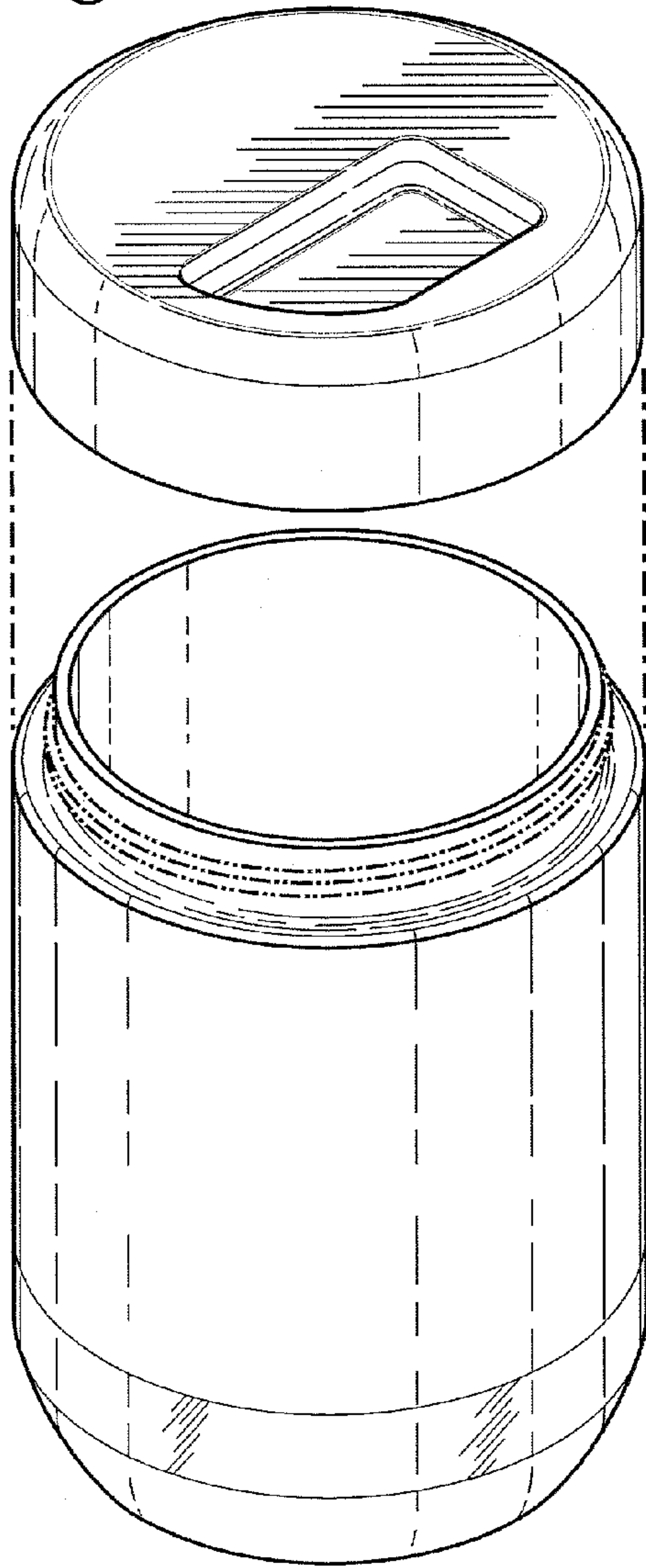


Fig. 4

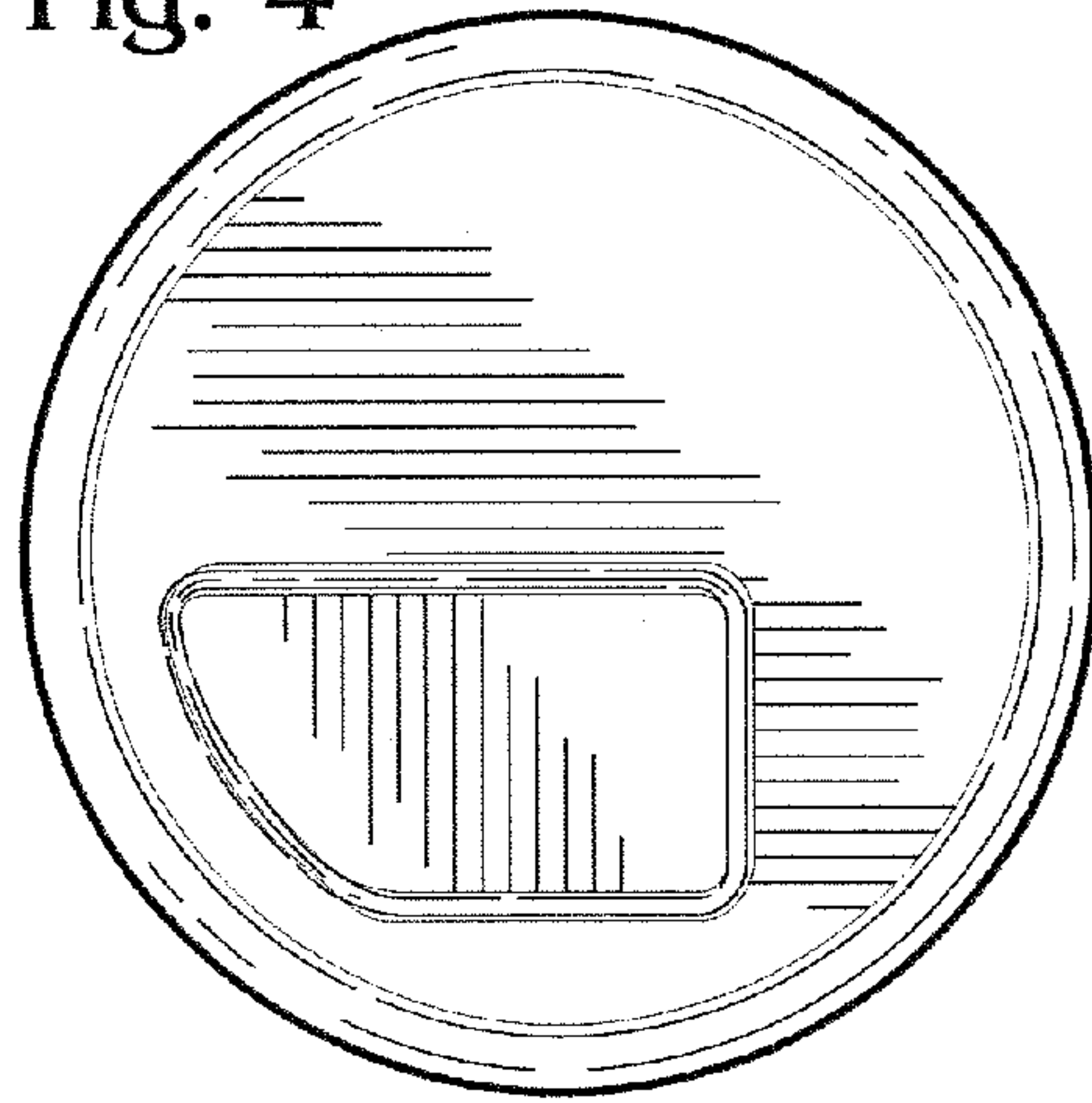
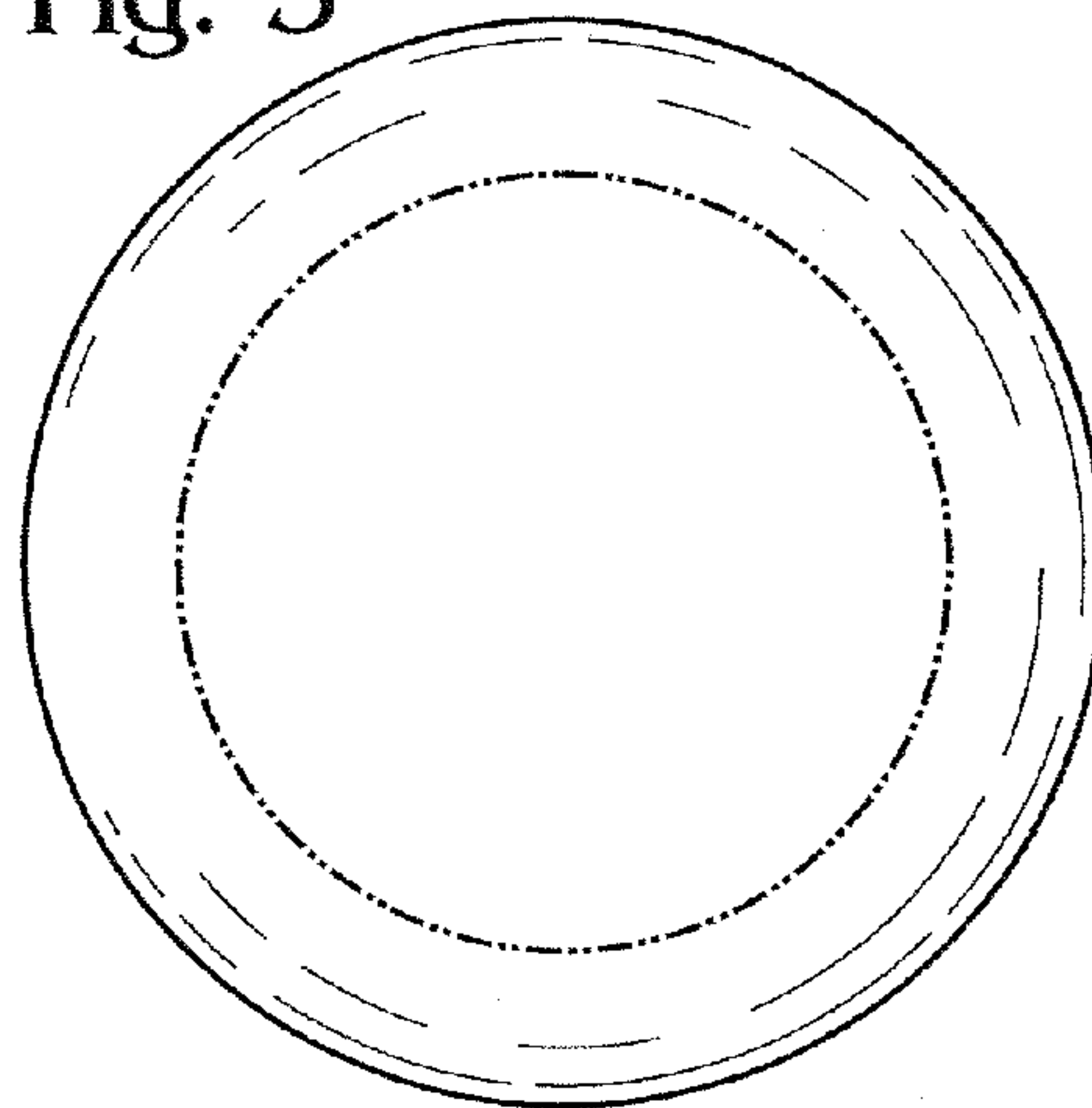


Fig. 5



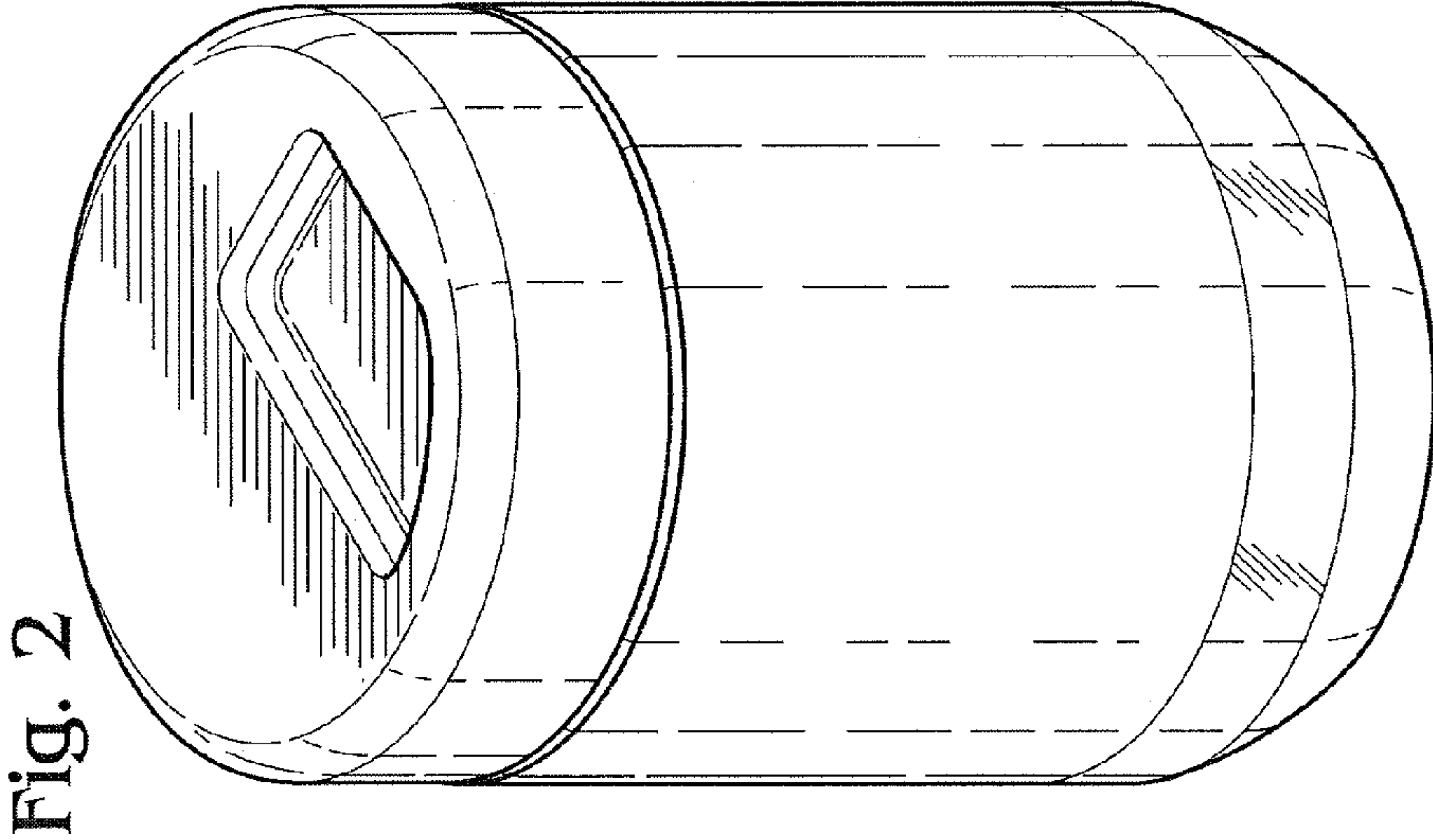


Fig. 2

Fig. 3

