



US00D679958S

(12) **United States Design Patent**  
**Yang et al.**

(10) **Patent No.:** **US D679,958 S**  
(45) **Date of Patent:** **\*\* Apr. 16, 2013**

(54) **PET FOOD CONTAINER**

(75) Inventors: **Frank Yang**, Rancho Palos Verdes, CA (US); **Tzu-Hao Wei**, Hacienda Heights, CA (US); **Di-Fong Chang**, Torrance, CA (US); **Po-Ling Huang**, Brussels (BE); **Myk Lum**, Irvine, CA (US); **Xun Ye**, Placentia, CA (US)

(73) Assignee: **Simplehuman LLC**, Torrance, CA (US)

(\*\*) Term: **14 Years**

(21) Appl. No.: **29/415,426**

(22) Filed: **Mar. 9, 2012**

(51) **LOC (9) Cl.** ..... **07-07**

(52) **U.S. Cl.**  
USPC ..... **D7/629**

(58) **Field of Classification Search** ..... D7/601,  
D7/602, 629, 630, 590, 589; D10/46.2; D30/133;  
D3/273, 274, 294, 301, 203.2; 220/780–806,  
220/675, 574–575, 236, 326, 324, 4.23–4.25;  
222/158, 173, 454–456, 456.1  
See application file for complete search history.

(56) **References Cited**

**U.S. PATENT DOCUMENTS**

D199,505 S \* 11/1964 Swett ..... D7/629  
D284,728 S \* 7/1986 Trivison ..... D7/629

D311,665 S \* 10/1990 Carlson ..... D7/629  
5,518,152 A \* 5/1996 Burcham et al. .... 222/452  
D418,068 S \* 12/1999 Robbins, III ..... D10/46.2  
D511,655 S \* 11/2005 Kim ..... D7/629  
D528,374 S \* 9/2006 Heiberg et al. .... D7/629  
D554,301 S \* 10/2007 Fick ..... D30/133  
D651,528 S \* 1/2012 Robbins et al. .... D10/46.2

\* cited by examiner

*Primary Examiner* — Terry Wallace

(74) *Attorney, Agent, or Firm* — Liu & Liu

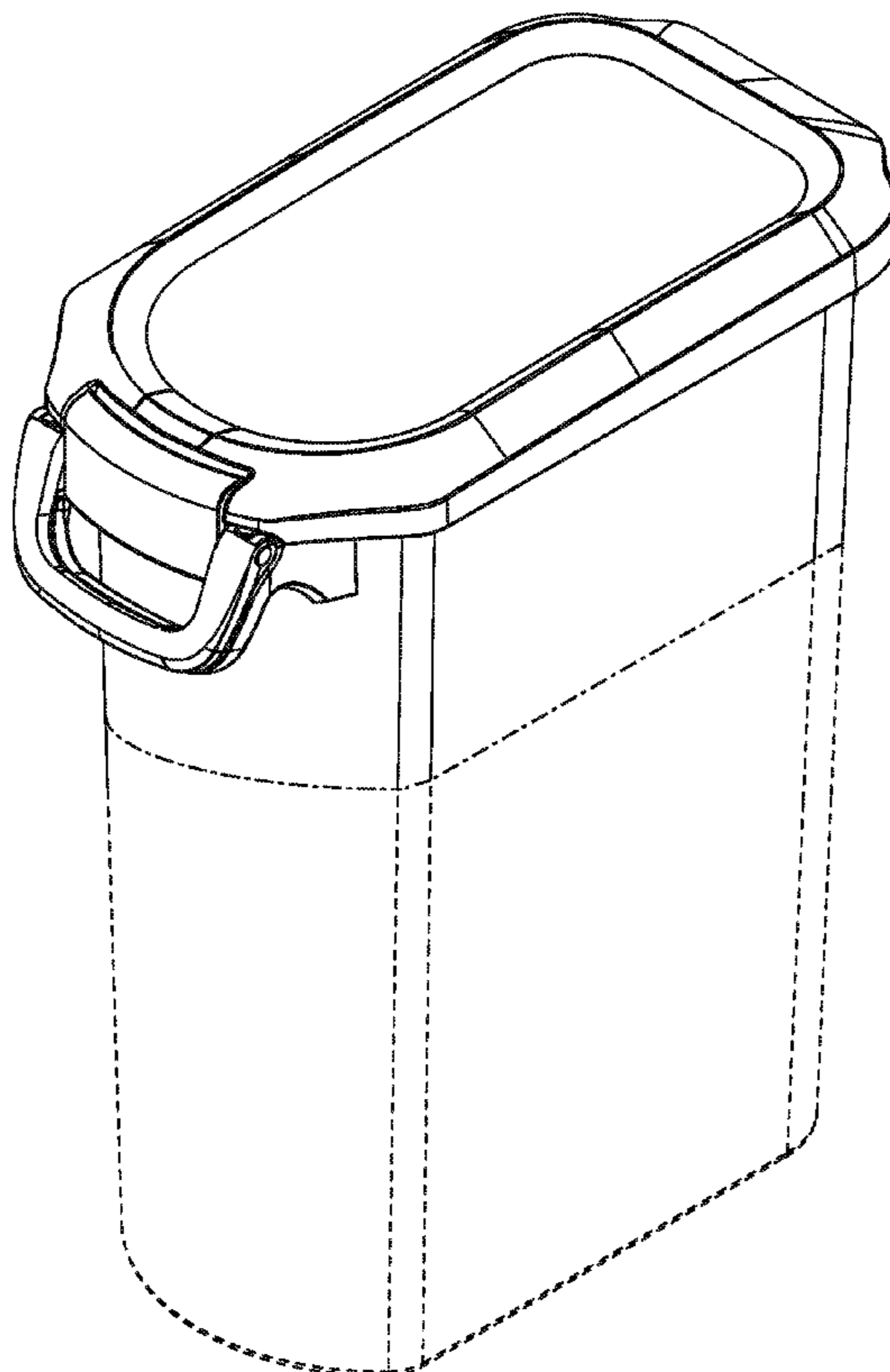
(57) **CLAIM**

The ornamental design for a pet food container, as shown and described.

**DESCRIPTION**

FIG. 1 is a front perspective view of the pet food container showing our new design;  
FIG. 2 is a front view thereof;  
FIG. 3 is a rear view thereof;  
FIG. 4 is a right side view thereof (the left side view is a mirror image thereof);  
FIG. 5 is a top plan view thereof; and,  
FIG. 6 is a bottom plan view thereof.  
The dash-dot broken lines represent boundaries of the claimed design and form no part of the claimed design. The dotted broken lines illustrate non-claimed subject matter and form no part of the claimed design.

**1 Claim, 6 Drawing Sheets**



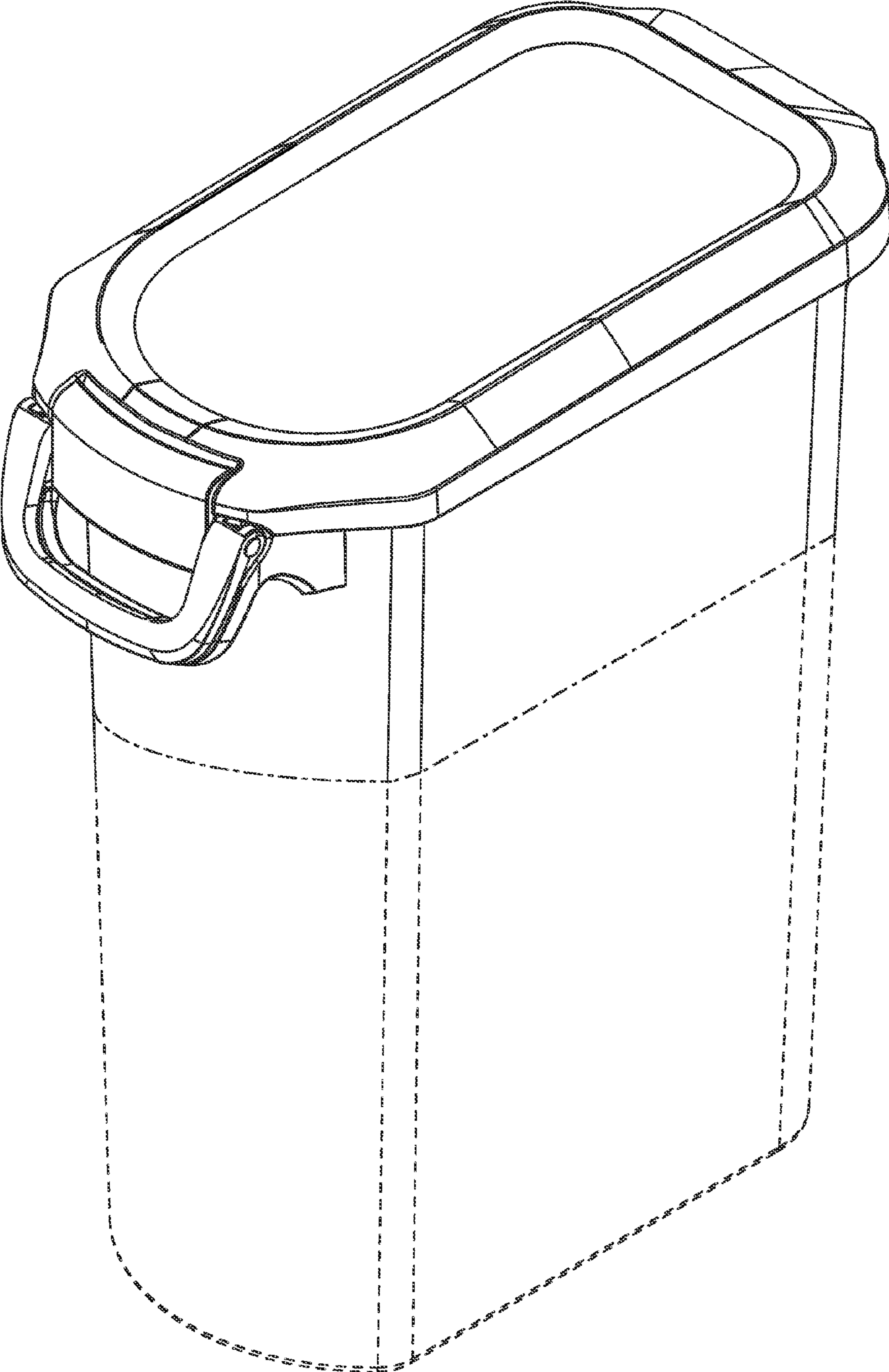


FIG. 1

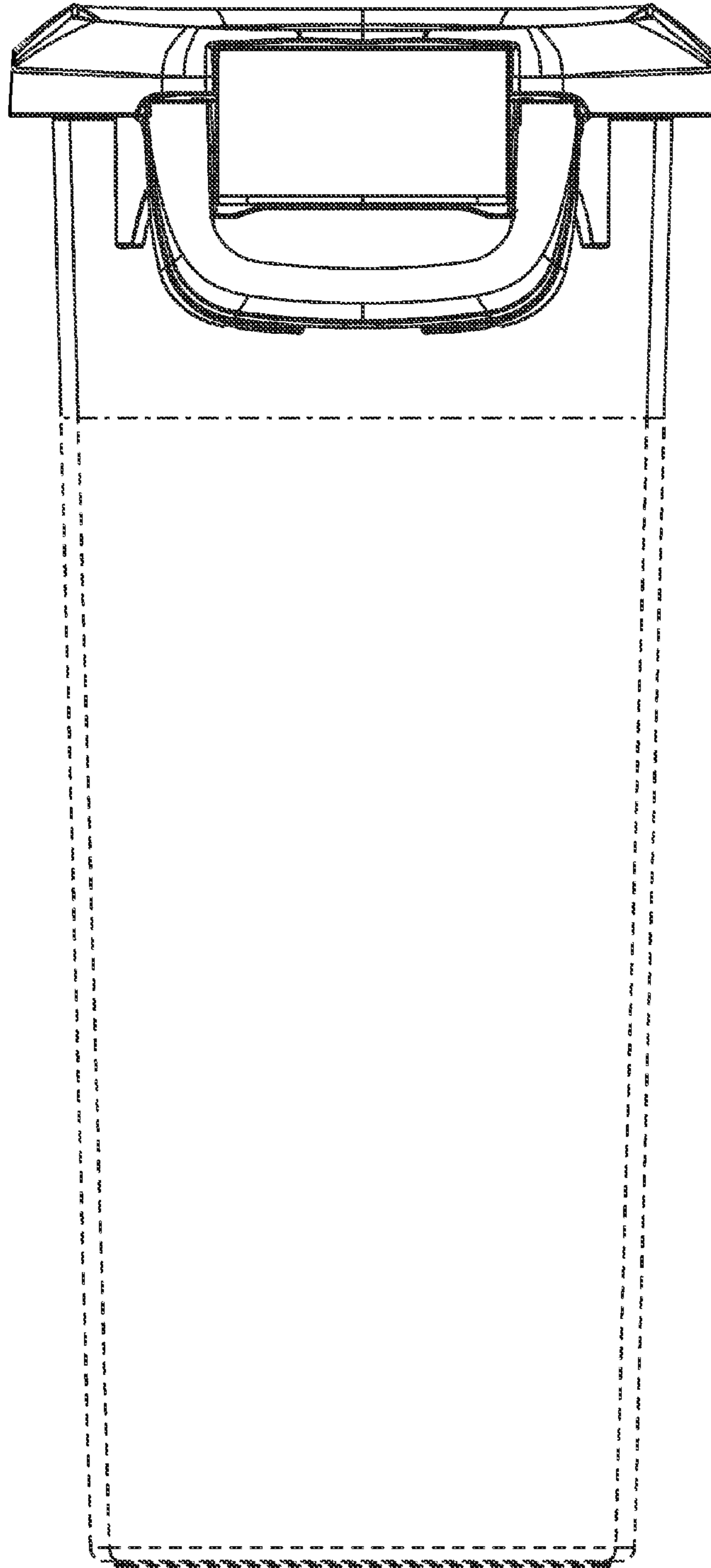


FIG. 2

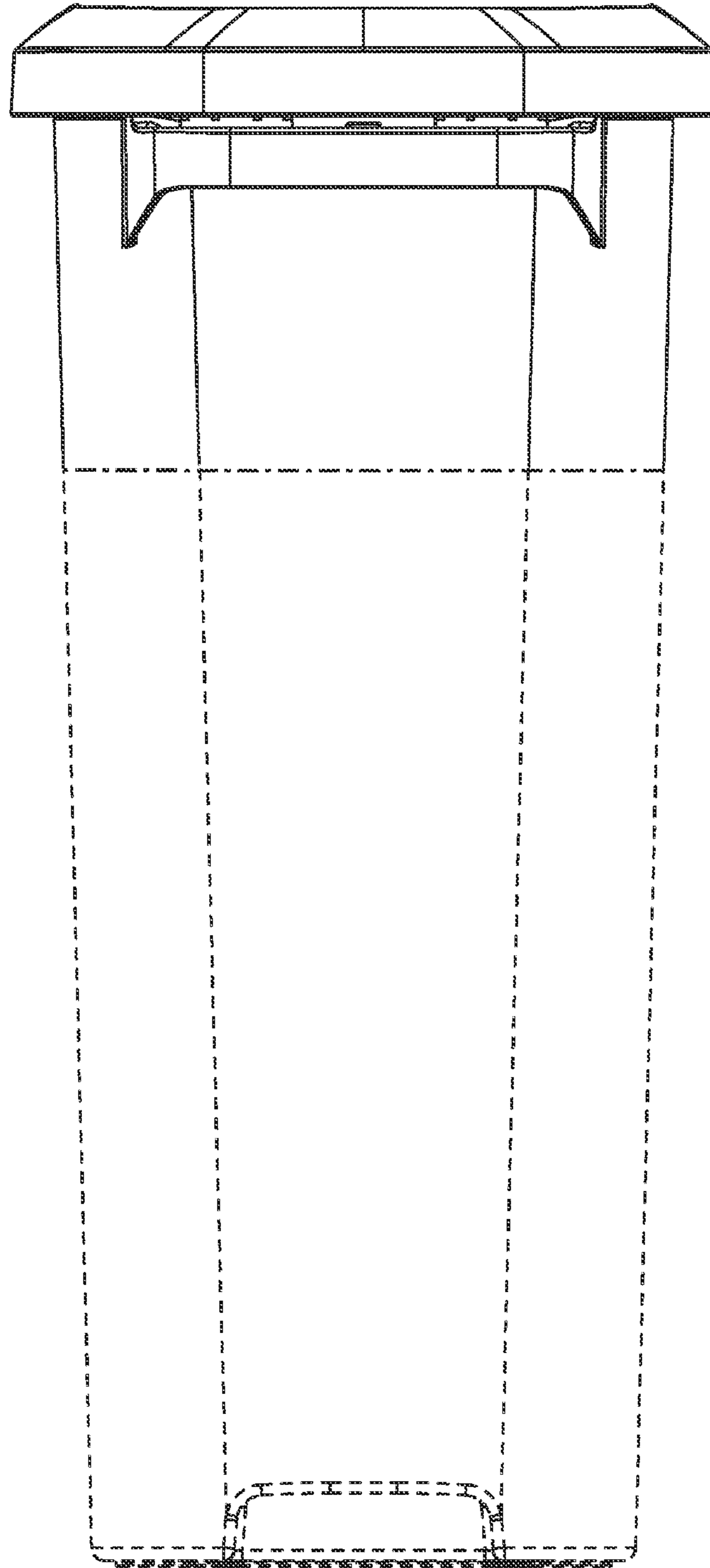


FIG. 3

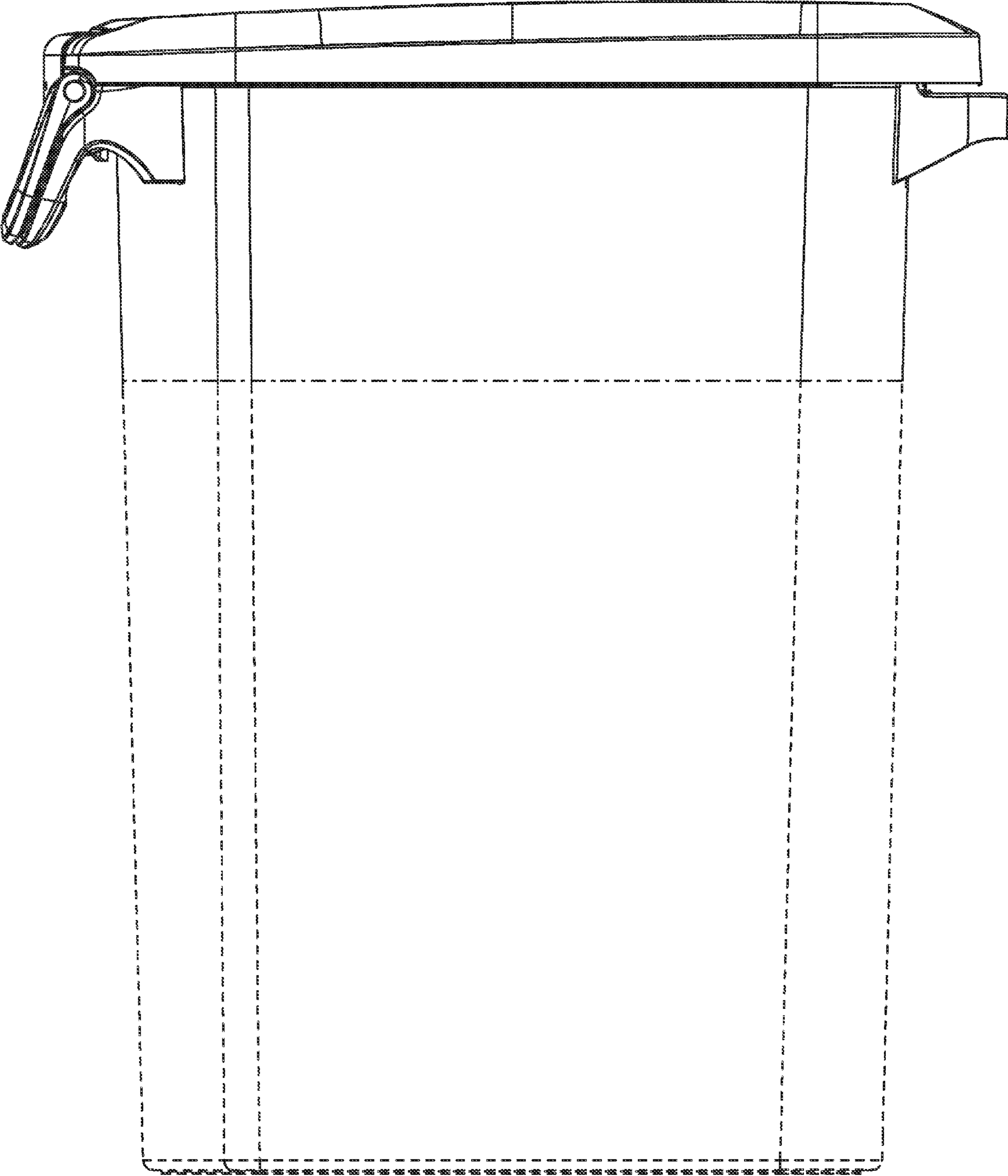


FIG. 4

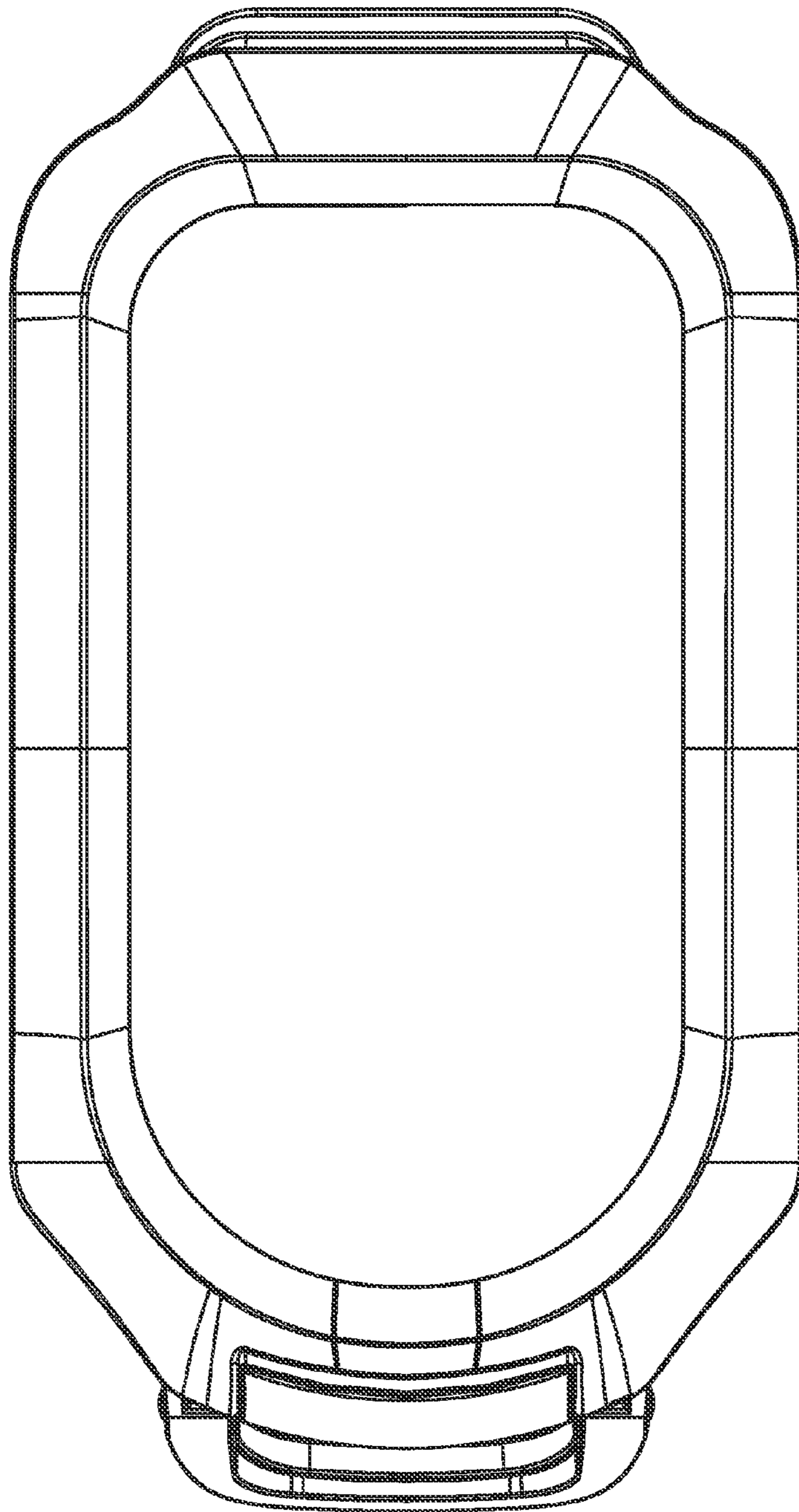


FIG. 5

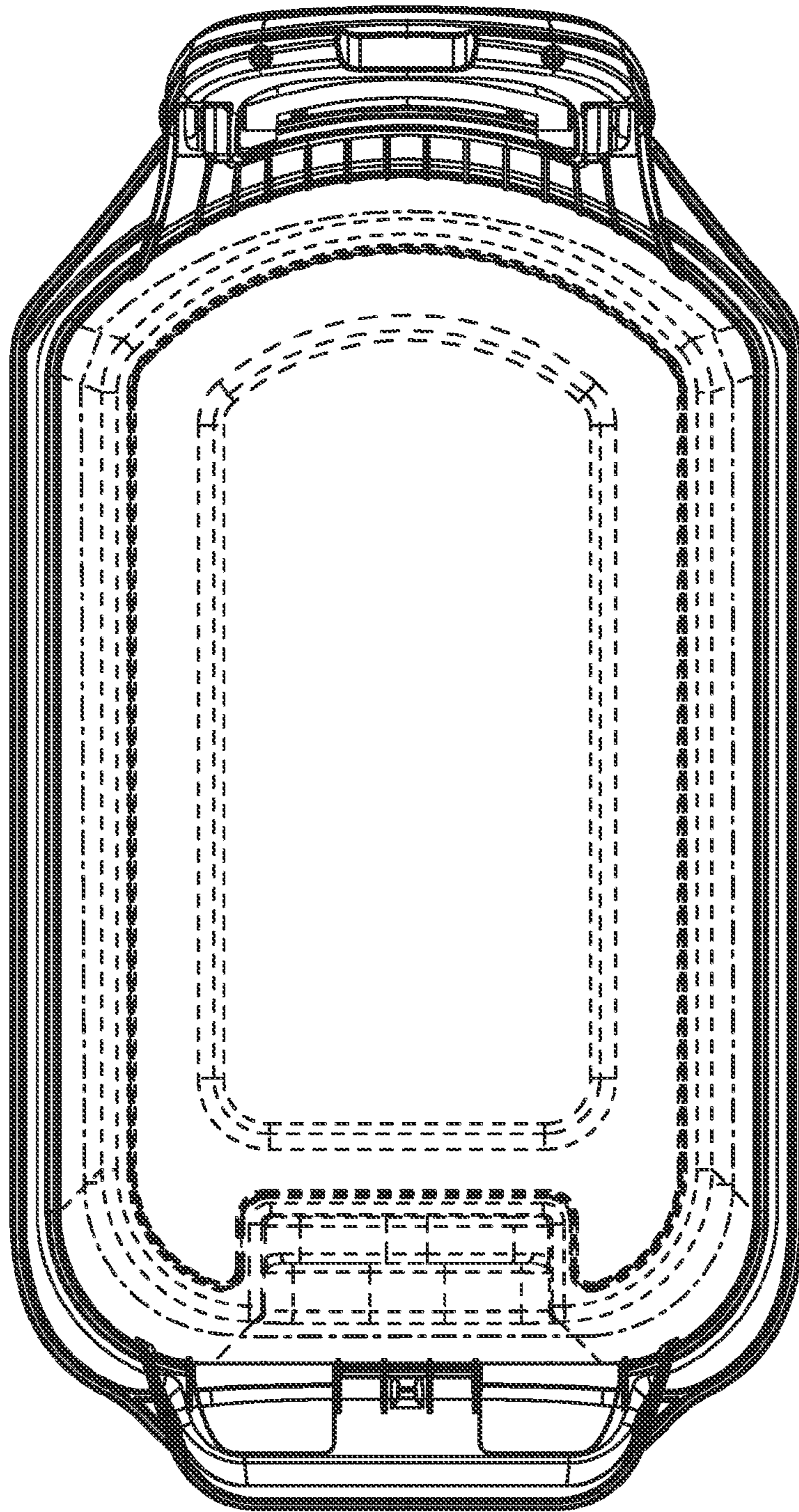


FIG. 6