



US00D679956S

(12) **United States Design Patent**
Zemel

(10) **Patent No.:** **US D679,956 S**

(45) **Date of Patent:** **** Apr. 16, 2013**

(54) **CONTAINER**

(75) Inventor: **Marc Zemel**, Melville, NY (US)

(73) Assignee: **Mr BAR-B-Q-, Inc.**, Old Bethpage, NY (US)

(**) Term: **14 Years**

(21) Appl. No.: **29/416,750**

(22) Filed: **Mar. 27, 2012**

(51) **LOC (9) Cl.** **07-01**

(52) **U.S. Cl.**

USPC **D7/601; D7/672**

(58) **Field of Classification Search** D7/672-677,
D7/213, 354, 355, 356, 357, 360, 361, 601-610,
D7/612-615, 637, 682, 693, 701-703, 708-710;
30/301-303, 114, 117, 305, 316; 425/284,
425/298, 299, 318; 249/112, 170; 100/295;
D9/737-741, 743, 517, 519, 522, 549, 556,
D9/557, 570, 575; D28/73, 82; 220/592.01,
220/200, 62.13, 890; 215/200

See application file for complete search history.

(56) **References Cited**

U.S. PATENT DOCUMENTS

1,322,942	A *	11/1919	Peterson	30/301
2,191,921	A	2/1940	Ziringer		
D155,422	S	10/1949	Henderson		
2,722,713	A	11/1955	Oestermeyer		
3,104,010	A *	9/1963	Pence	206/9
D206,606	S	1/1967	Brown		
3,775,809	A *	12/1973	Roedel	425/338
D234,113	S	1/1975	Wright		
D236,312	S	8/1975	Brown		
3,934,308	A	1/1976	Neri		
D245,827	S	9/1977	Korpi		
4,106,162	A	8/1978	Fournier		
D261,142	S *	10/1981	Erickson et al.	D7/368
4,644,966	A *	2/1987	Ferrari	132/73

D333,759	S	3/1993	Ferrin		
D335,428	S *	5/1993	Picozza et al.	D7/612
D352,206	S	11/1994	Davis		
D353,968	S	1/1995	Cock		
D369,948	S	5/1996	Tobiasz		
D377,138	S	1/1997	Angelo		

(Continued)

OTHER PUBLICATIONS

Design U.S. Appl. No. 29/408,583, filed Dec. 14, 2011, Marc Zemel.

(Continued)

Primary Examiner — Ian Simmons

Assistant Examiner — Shannon Weekley

(74) *Attorney, Agent, or Firm* — Carter, DeLuca, Farrell & Schmidt LLP

(57) **CLAIM**

The ornamental design for a container, as shown and described.

DESCRIPTION

FIG. 1 is a front, right side perspective view of a container showing my new design;

FIG. 2 is a front elevational view thereof;

FIG. 3 is a right side elevational view thereof;

FIG. 4 is a top plan view thereof;

FIG. 5 is a bottom plan view thereof;

FIG. 6 is an exploded front, right side perspective view thereof;

FIG. 7 is an exploded front elevational view thereof;

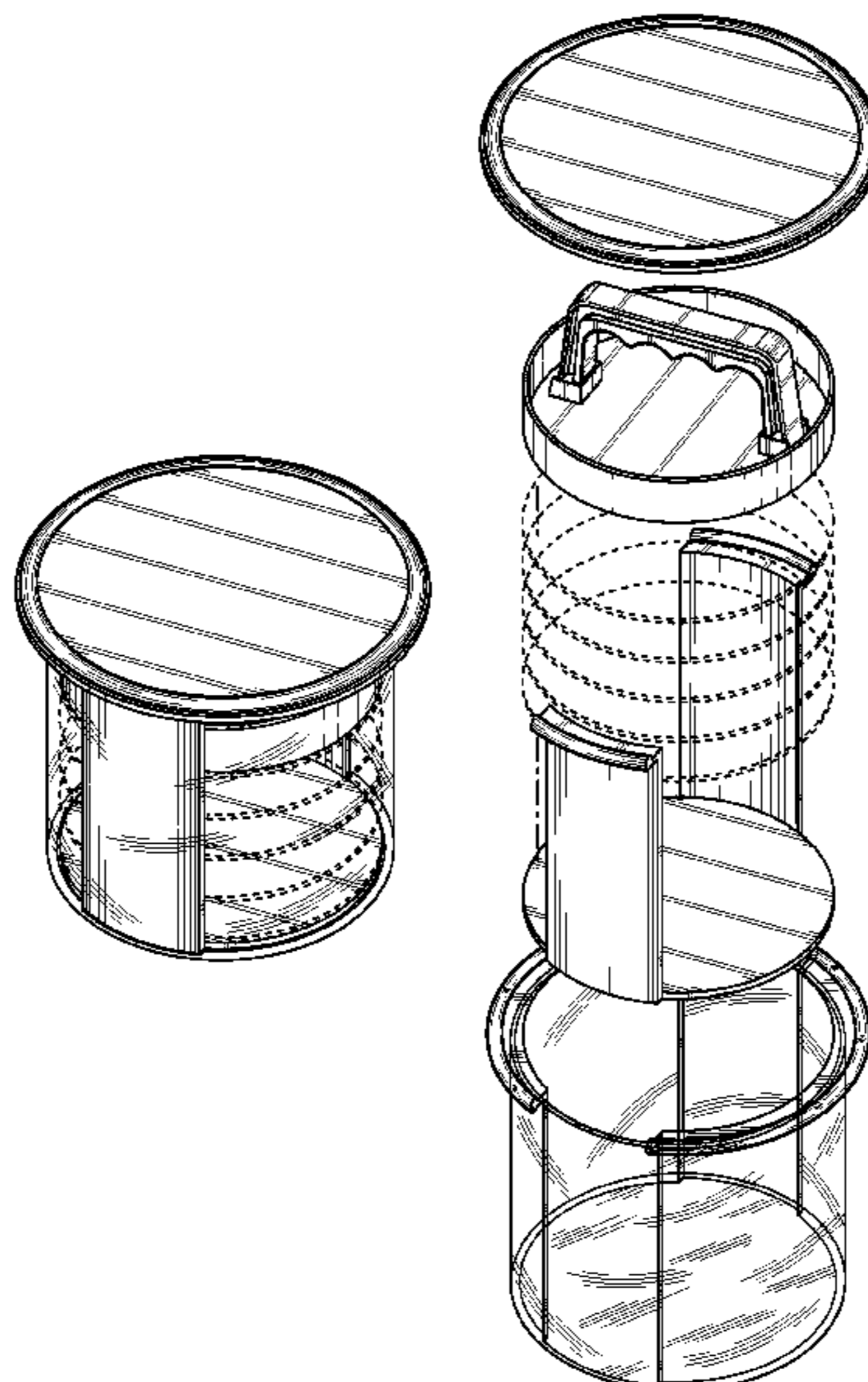
FIG. 8 is an exploded right side elevational view thereof;

FIG. 9 is a top plan view; and,

FIG. 10 is a bottom plan view.

The broken lines showing a portion of the container in FIGS. 1-3, and 6-8 of the container is for the purpose of illustrating environment, and forms no part of the claimed design.

1 Claim, 6 Drawing Sheets



US D679,956 S

Page 2

U.S. PATENT DOCUMENTS

5,676,252 A * 10/1997 Lillelund et al. 206/551
D414,075 S 9/1999 Mishan
D565,412 S * 4/2008 Fuller D9/503
D575,097 S 8/2008 Courington et al.
D595,998 S 7/2009 Hauser
D621,668 S 8/2010 Zemel
8,038,118 B1 * 10/2011 Ajakie 249/156
2009/0246311 A1 10/2009 Hauser
2011/0168708 A1 * 7/2011 Antal, Sr. 220/254.7

OTHER PUBLICATIONS

Design U.S. Appl. No. 29/408,586, filed Dec. 14, 2011, Marc Zemel.

Design U.S. Appl. No. 29/415,745, filed Mar. 14, 2012, Marc Zemel.

* cited by examiner

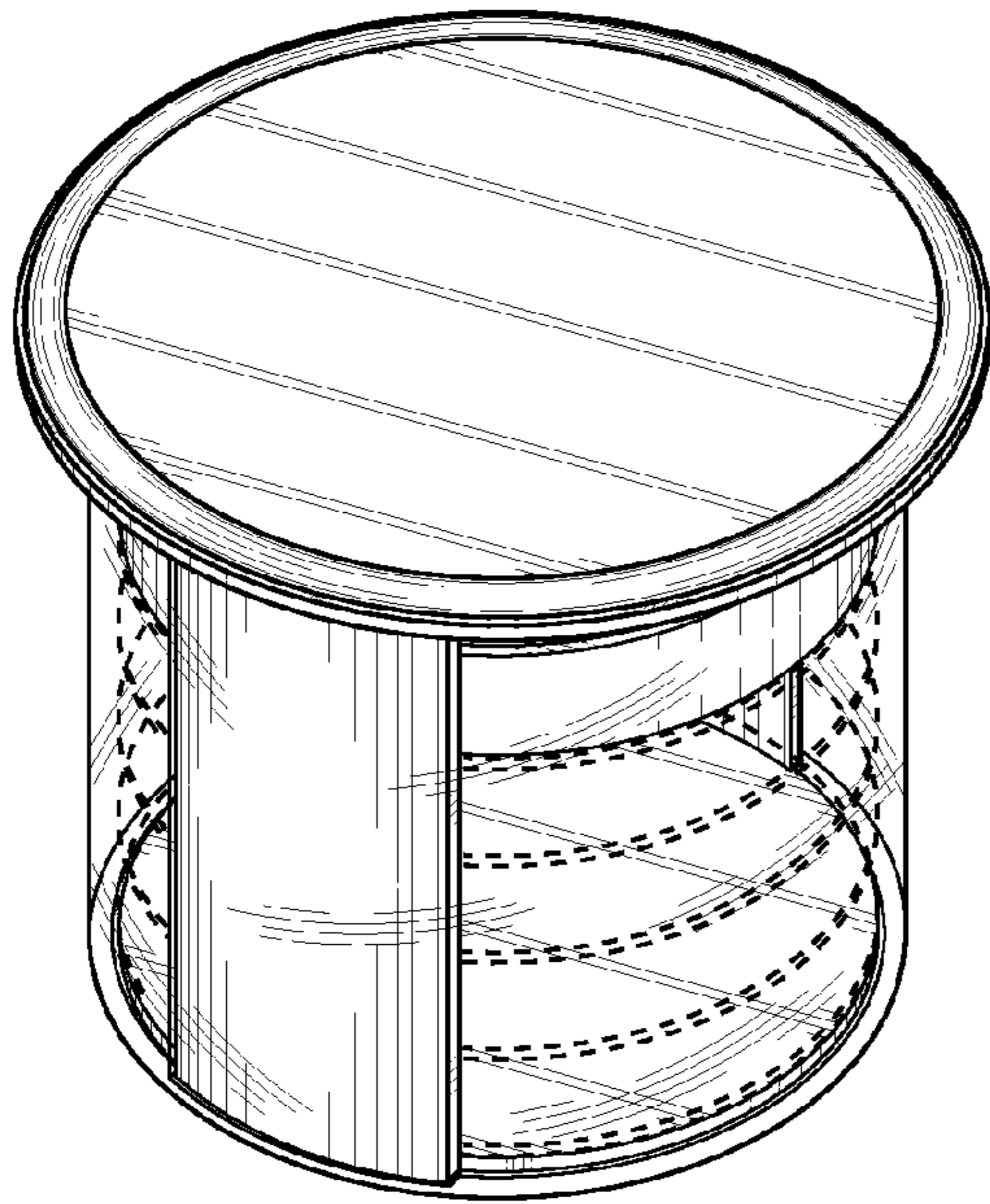


FIG. 1

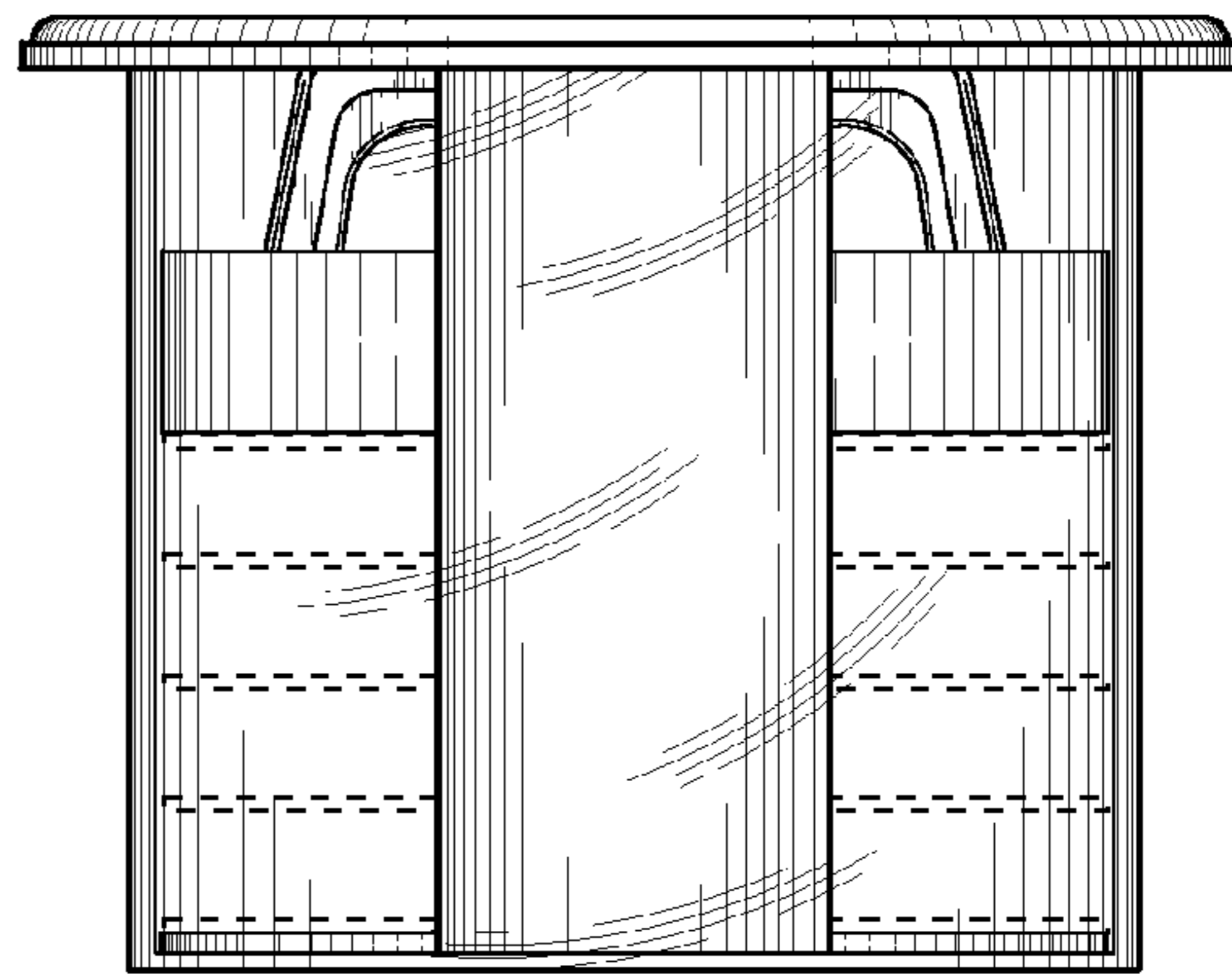


FIG. 2

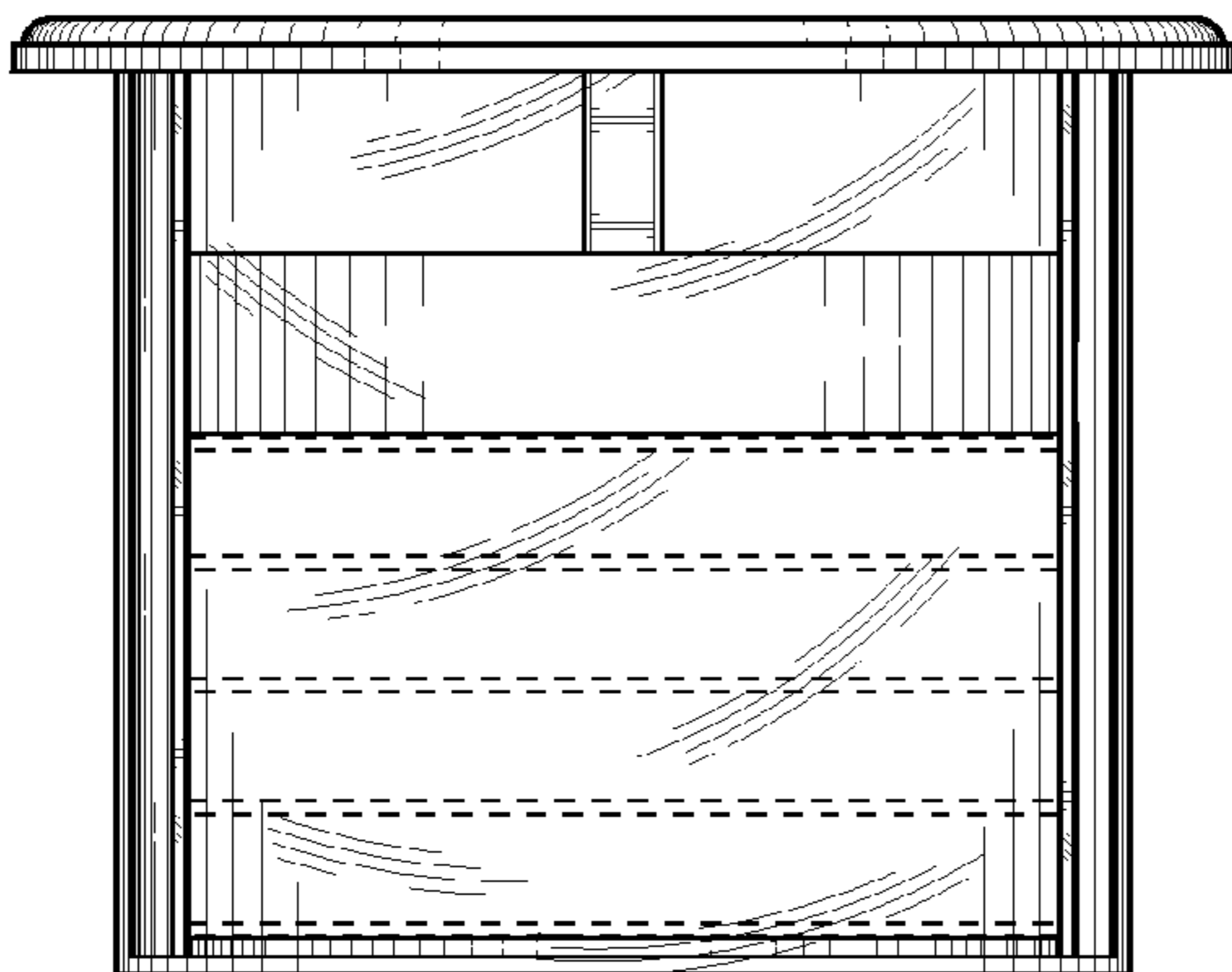


FIG. 3

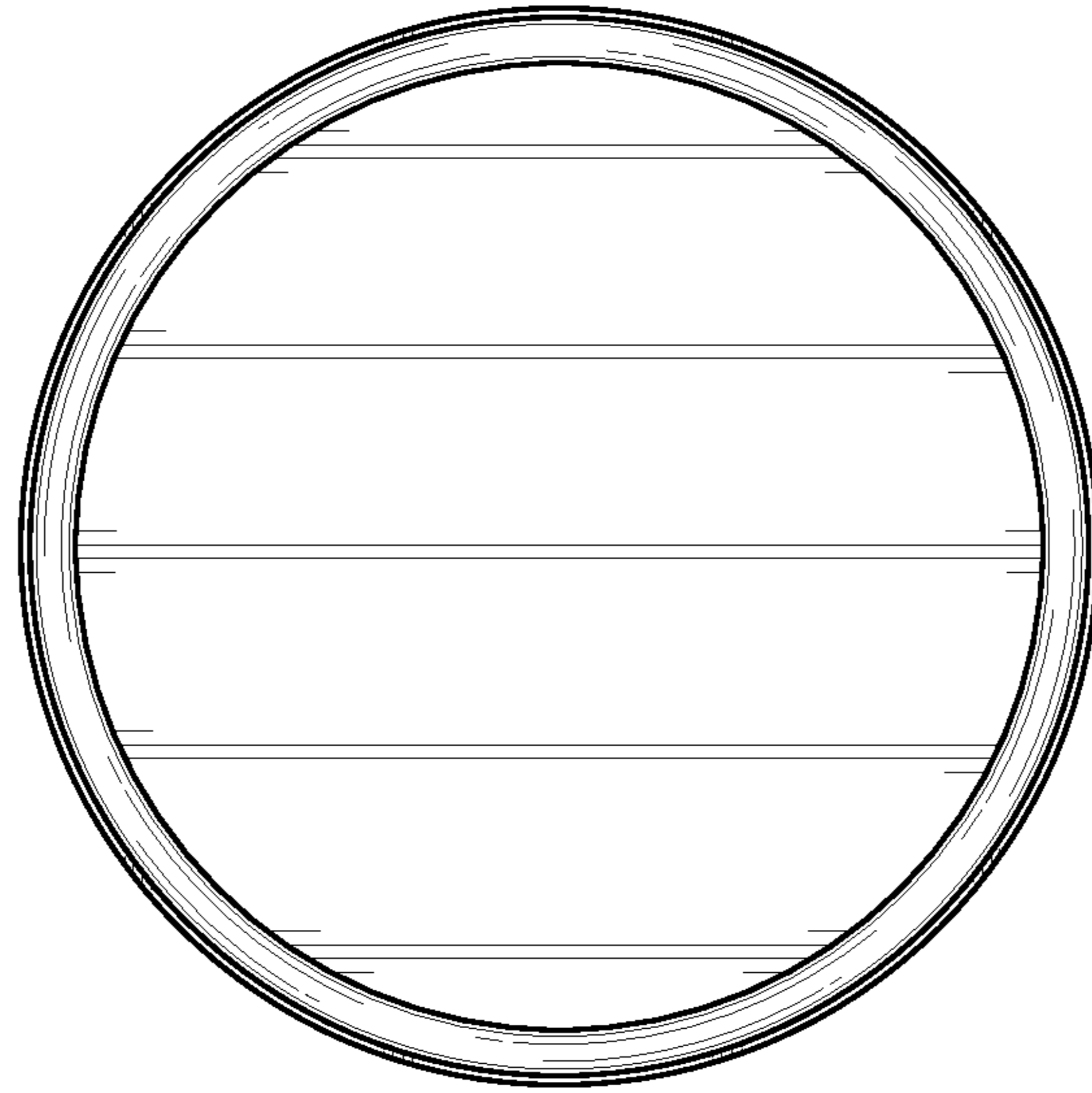


FIG. 4

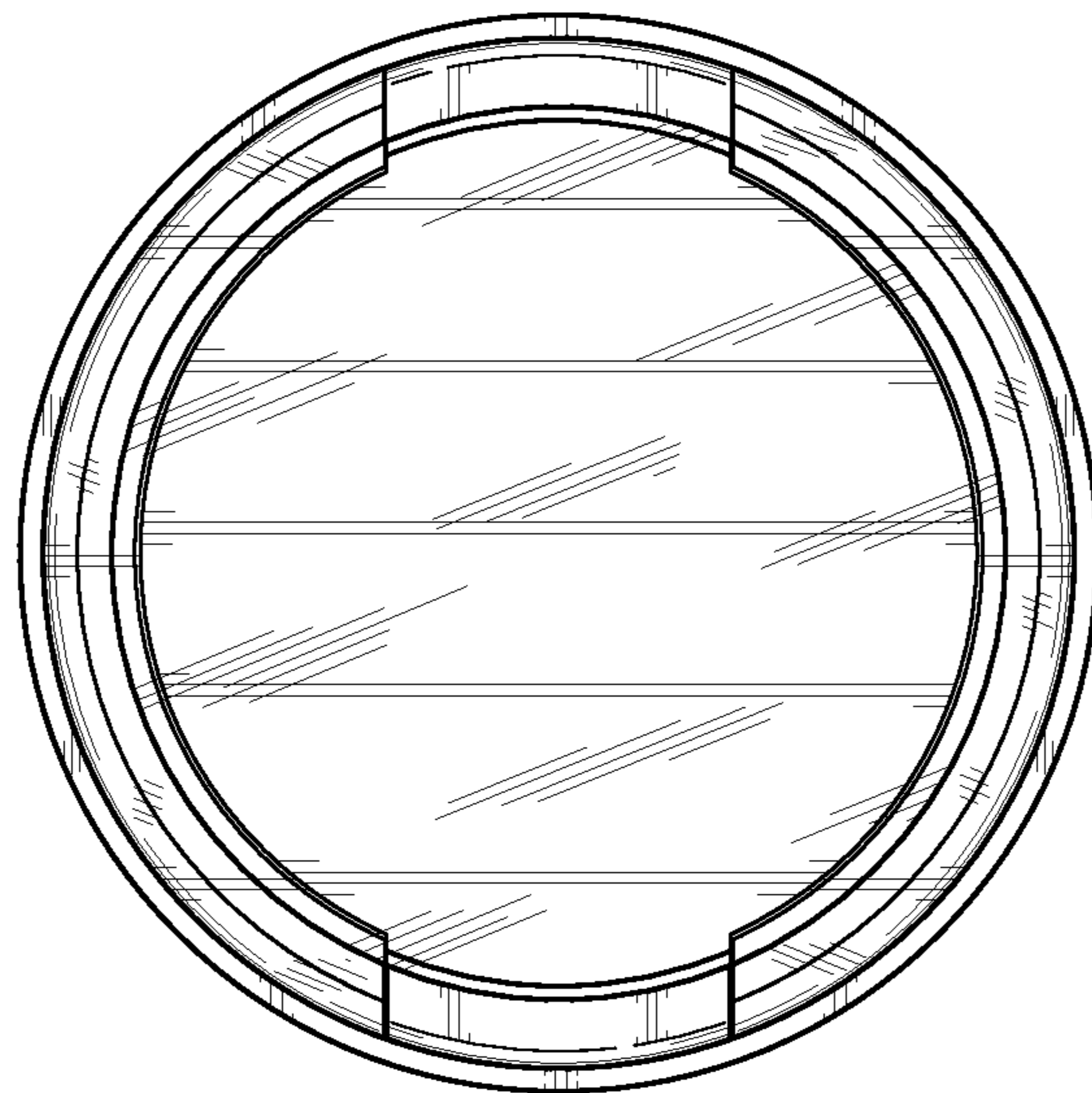


FIG. 5

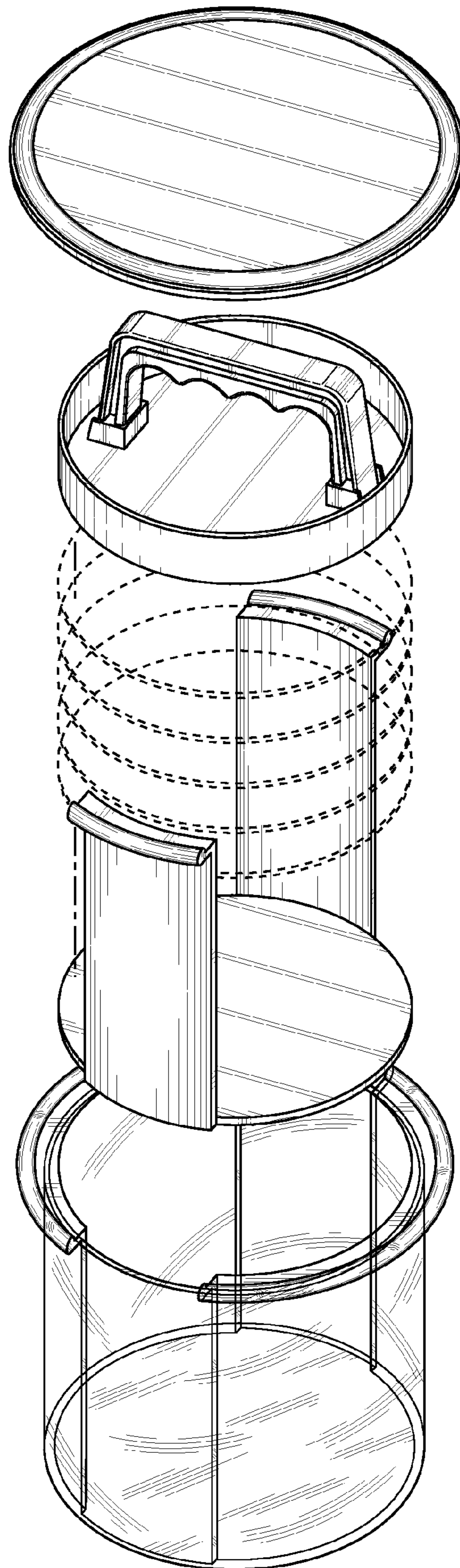
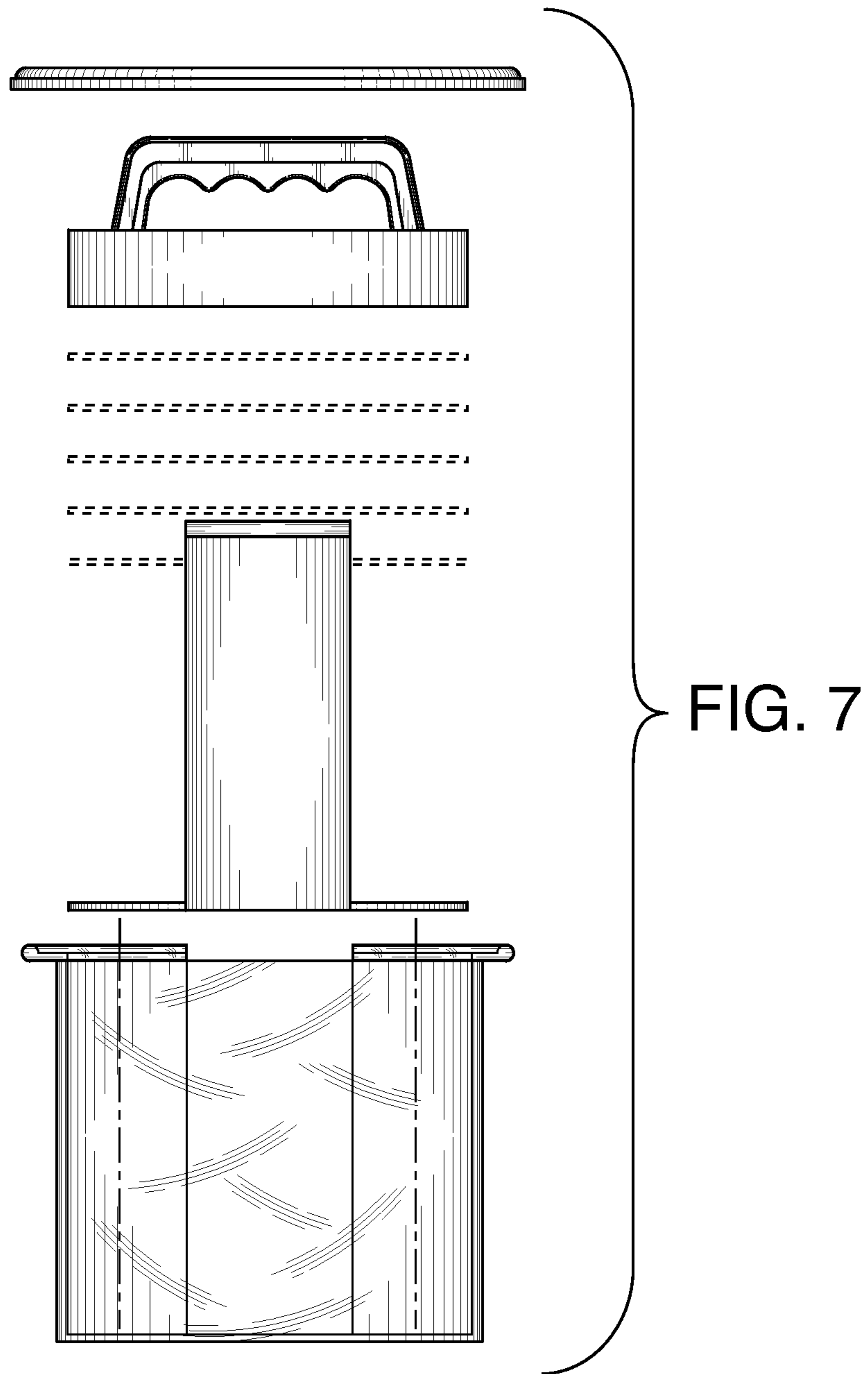


FIG. 6



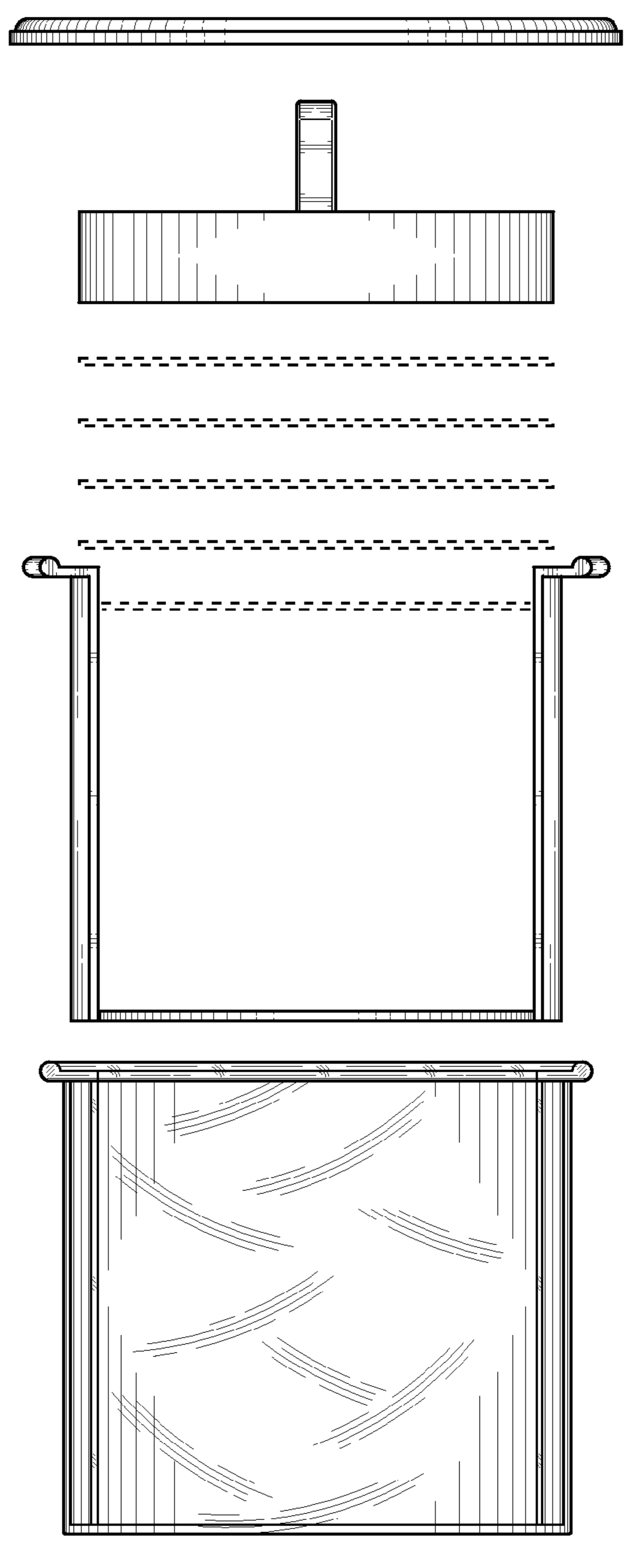


FIG. 8

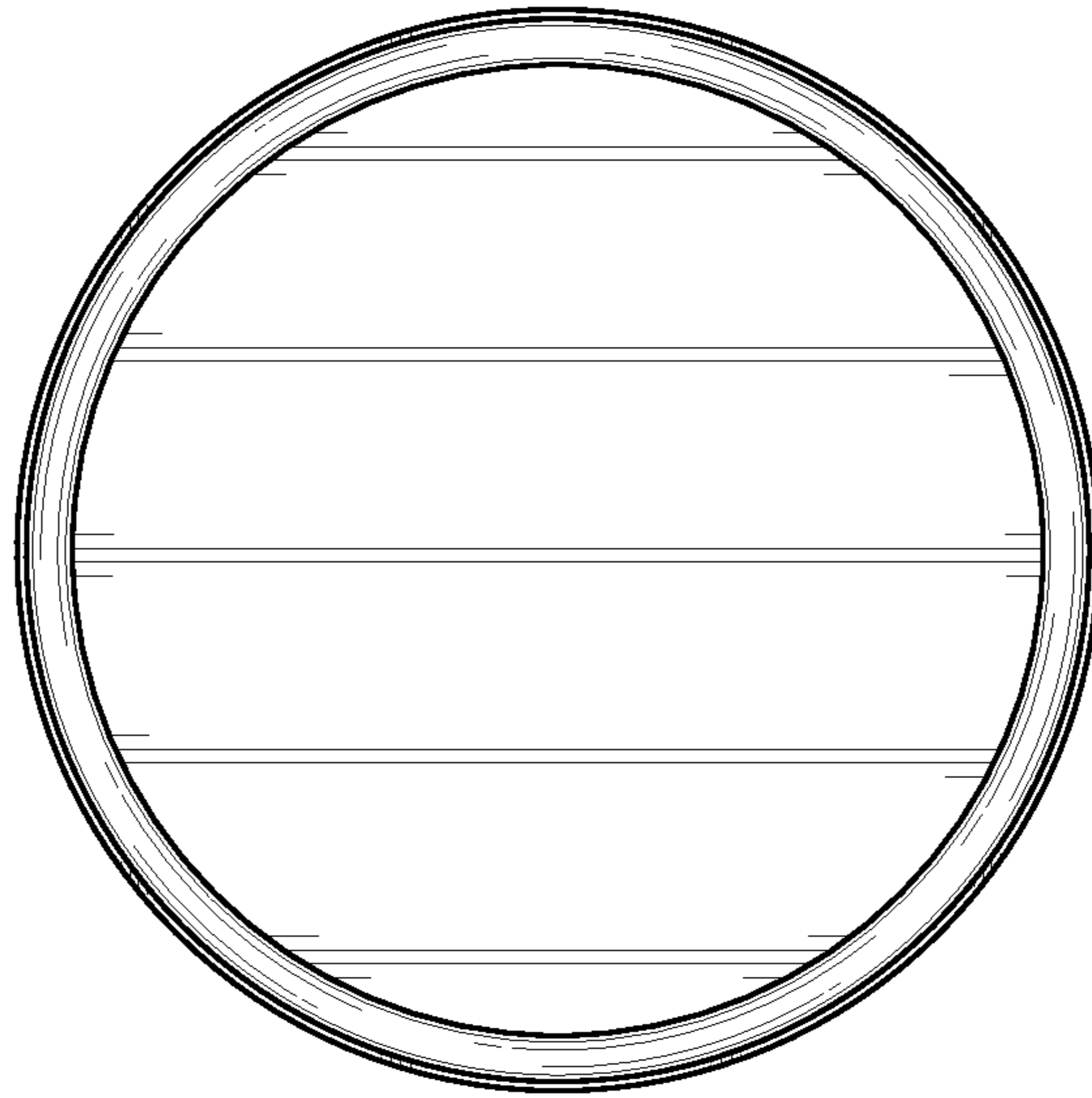


FIG. 9

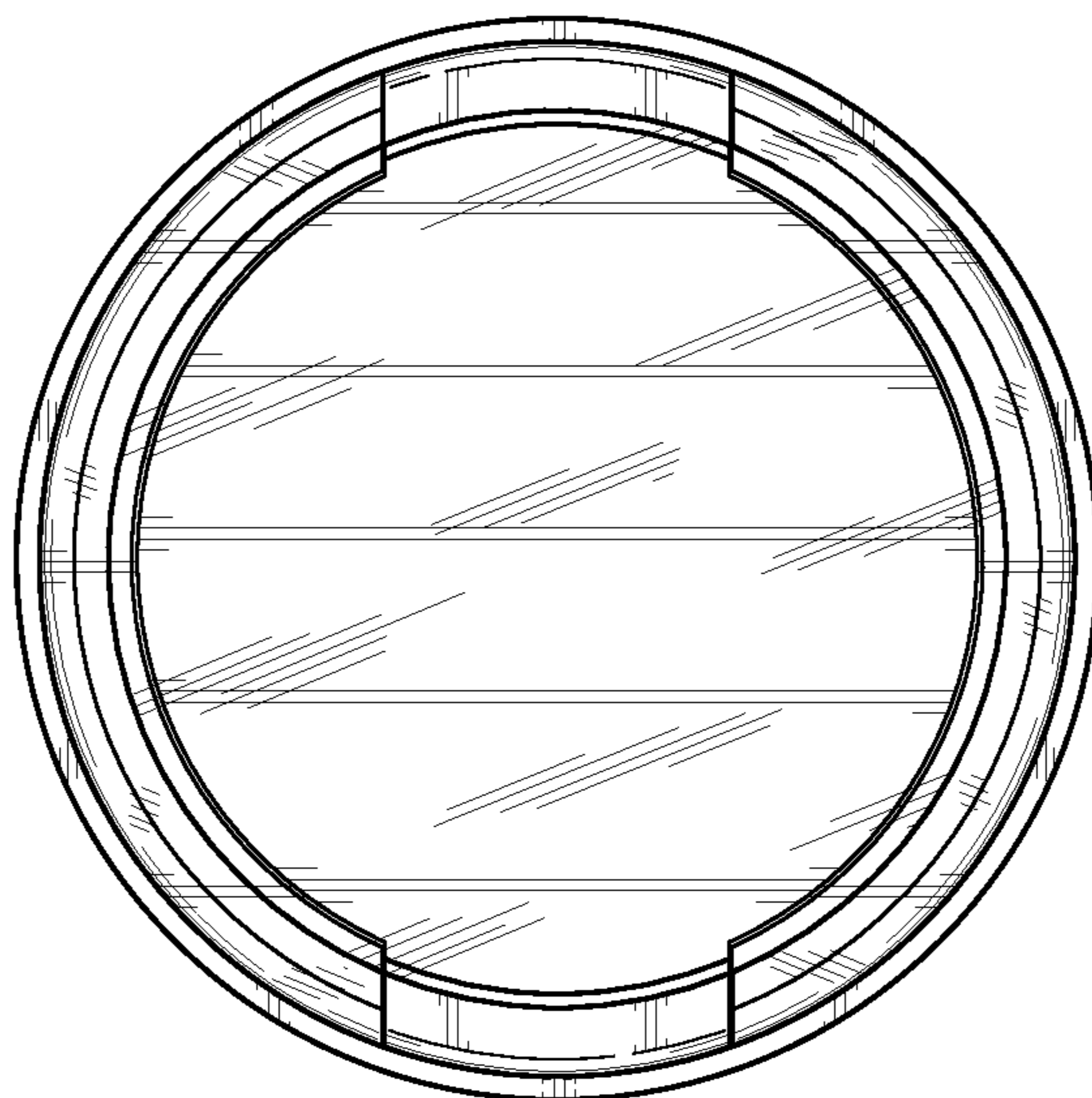


FIG. 10