



US00D679954S

(12) **United States Design Patent**  
**Snider**

(10) **Patent No.:** **US D679,954 S**  
(45) **Date of Patent:** **\*\* Apr. 16, 2013**

- (54) **COFFEE POD DRAWER**
- (75) Inventor: **Martin Snider**, New City, NY (US)
- (73) Assignee: **MSA Products, Inc.**, Nyack, NY (US)
- (\*\*) Term: **14 Years**
- (21) Appl. No.: **29/423,891**
- (22) Filed: **Jun. 6, 2012**
- (51) **LOC (9) Cl.** ..... **07-06**
- (52) **U.S. Cl.**  
USPC ..... **D7/600.1**
- (58) **Field of Classification Search** ..... D7/600,  
D7/600.1, 600.2, 600.3, 600.4, 392, 397,  
D7/589, 590, 596, 597, 601, 602, 609, 610,  
D7/612, 614, 615, 620-623, 628-632, 637-641,  
D7/701-708, 708.1, 709, 710; D3/275, 295-298,  
D3/306, 307, 313, 315, 319, 201, 276, 283,  
D3/291, 302, 304; D6/436, 449, 458, 462,  
D6/509, 510, 512, 514, 521, 525, 573, 574;  
D19/75, 77, 78, 83, 86, 92; 211/77, 78, 126.11,  
211/126.15, 129.1, 131.1, 133.1, 133.2, 133.4,  
211/133.5, 133.6; 312/323, 330.1, 334.1,  
312/334.27, 408  
See application file for complete search history.

- (56) **References Cited**  
U.S. PATENT DOCUMENTS  
921,694 A 5/1909 Hail  
2,502,781 A \* 4/1950 Erickson ..... 220/491  
3,421,634 A \* 1/1969 Huth ..... 211/123  
D433,711 S 11/2000 Andujar  
D436,239 S \* 1/2001 Walsh ..... D34/21  
D472,735 S 4/2003 Haugen  
D493,308 S 7/2004 Nilsson et al.  
6,840,593 B2 1/2005 Remmers  
D525,488 S 7/2006 McWhorter  
D547,094 S 7/2007 Klein et al.  
D579,246 S \* 10/2008 Snider ..... D6/510

D624,753 S *	10/2010	Post et al.	.....	D3/306
D628,444 S	12/2010	Snider		
D628,445 S	12/2010	Snider		
D643,686 S *	8/2011	Tiemann	.....	D7/600.4
D644,069 S *	8/2011	Tiemann	.....	D7/600.4
D644,491 S *	9/2011	Snider	.....	D7/600.1
8,141,737 B1 *	3/2012	Tsai	.....	220/485
D659,481 S *	5/2012	Tiemann	.....	D7/600.1
D660,088 S *	5/2012	Tiemann	.....	D7/600.1
D660,652 S *	5/2012	Tiemann	.....	D7/600.1
D661,951 S *	6/2012	Tiemann	.....	D7/600.1
D665,230 S *	8/2012	Snider	.....	D7/600.1
2005/0205578 A1	9/2005	Yeh		

\* cited by examiner

*Primary Examiner* — Ian Simmons

*Assistant Examiner* — Shannon Weekley

(74) *Attorney, Agent, or Firm* — Gerald E. Hespos; Michael J. Porco; Matthew T. Hespos

(57) **CLAIM**

The ornamental design for a coffee pod drawer, as shown and described.

**DESCRIPTION**

FIG. 1 is a perspective view of a coffee pod drawer in accordance with my design showing the drawer in the open position;

FIG. 2 is a perspective view of the coffee pod drawer of FIG. 1 with the drawer in a closed position;

FIG. 3 is a top plan view thereof showing the drawer in the open position;

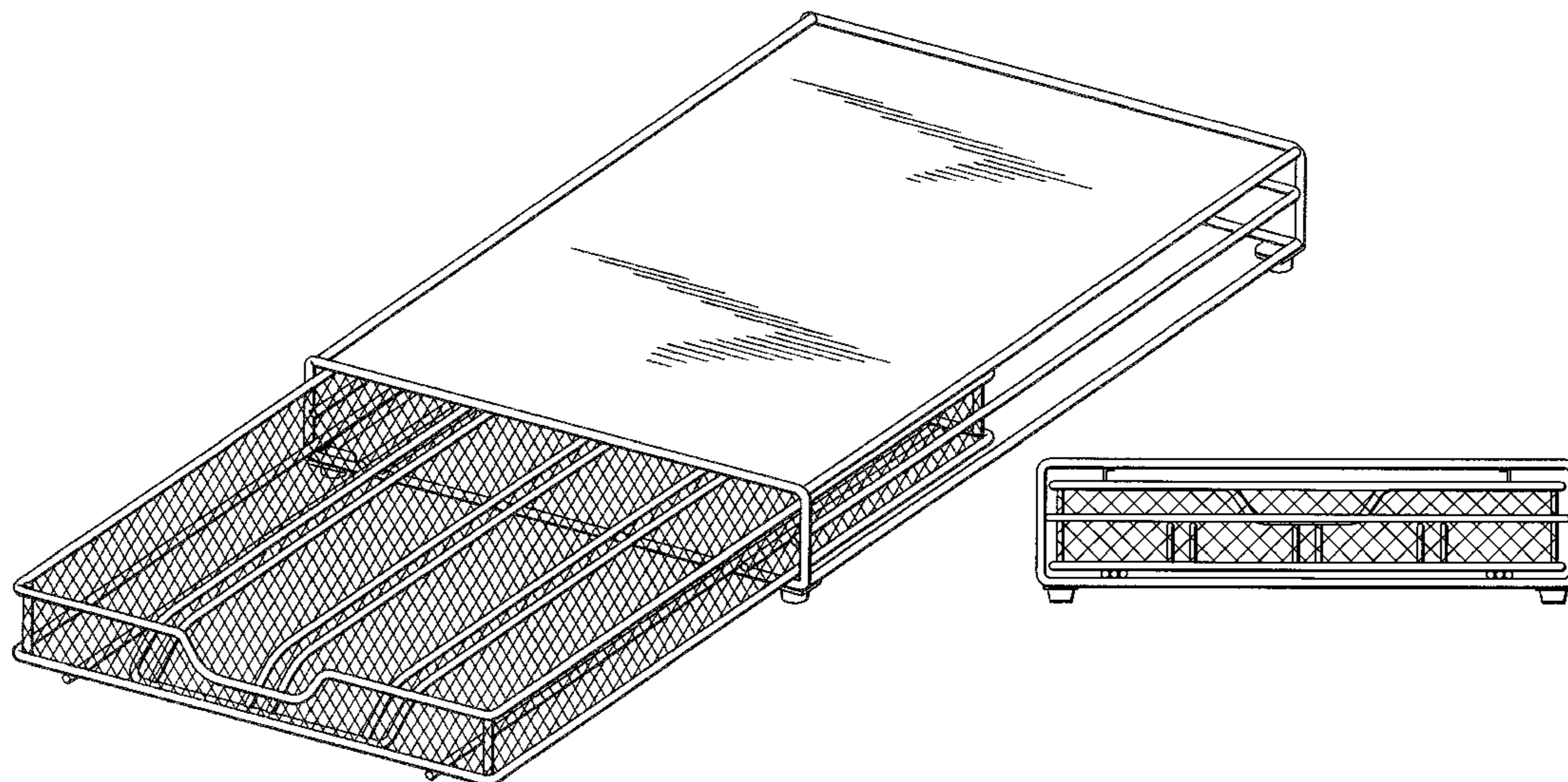
FIG. 4 is a front elevational view thereof;

FIG. 5 is a side elevational view thereof as viewed from the right side of FIG. 1, and showing the drawer in the open position, with the right side elevational view being a mirror image thereof;

FIG. 6 is a back elevational view thereof; and,

FIG. 7 is a bottom plan view thereof showing the drawer in the open position.

**1 Claim, 5 Drawing Sheets**





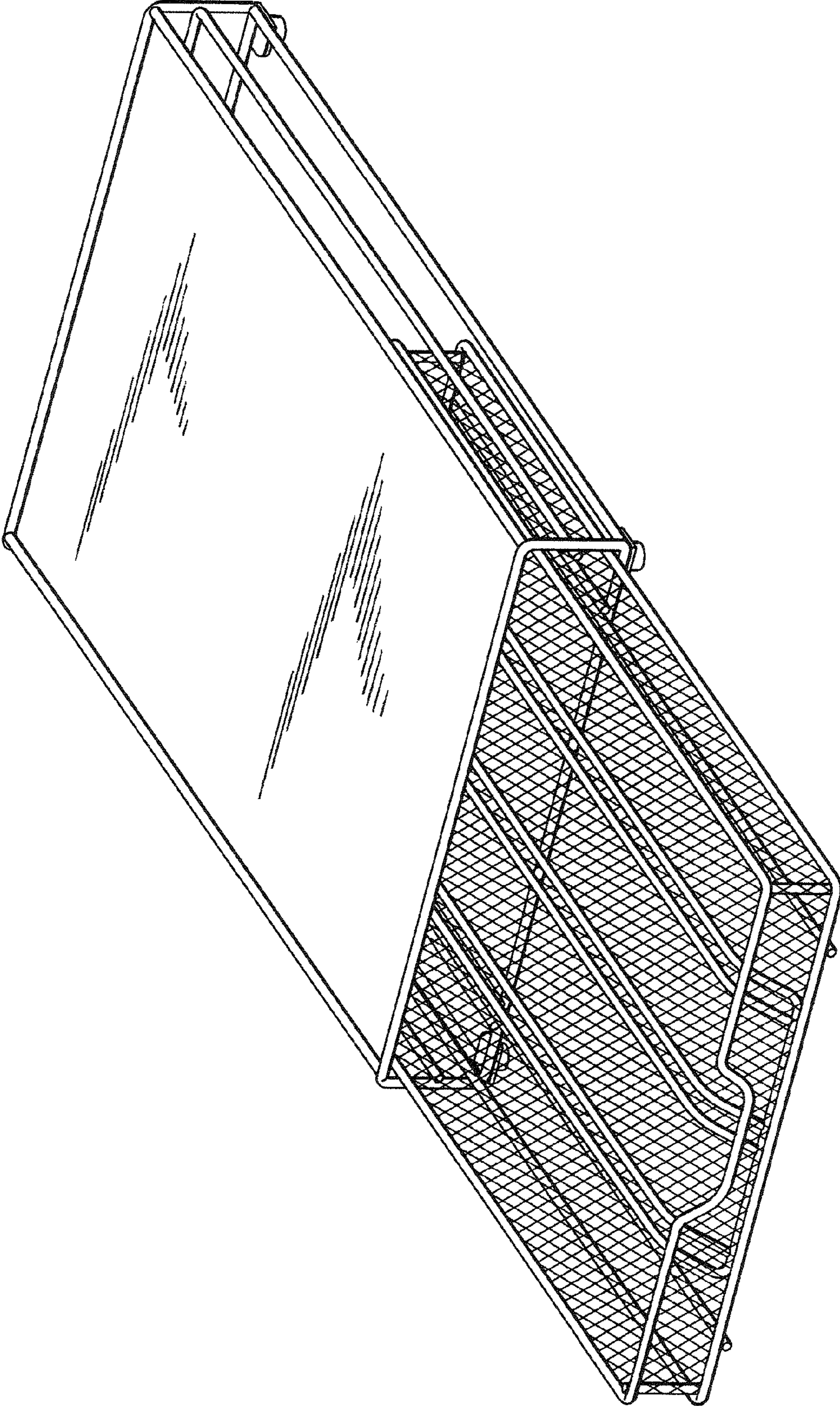


FIG.1

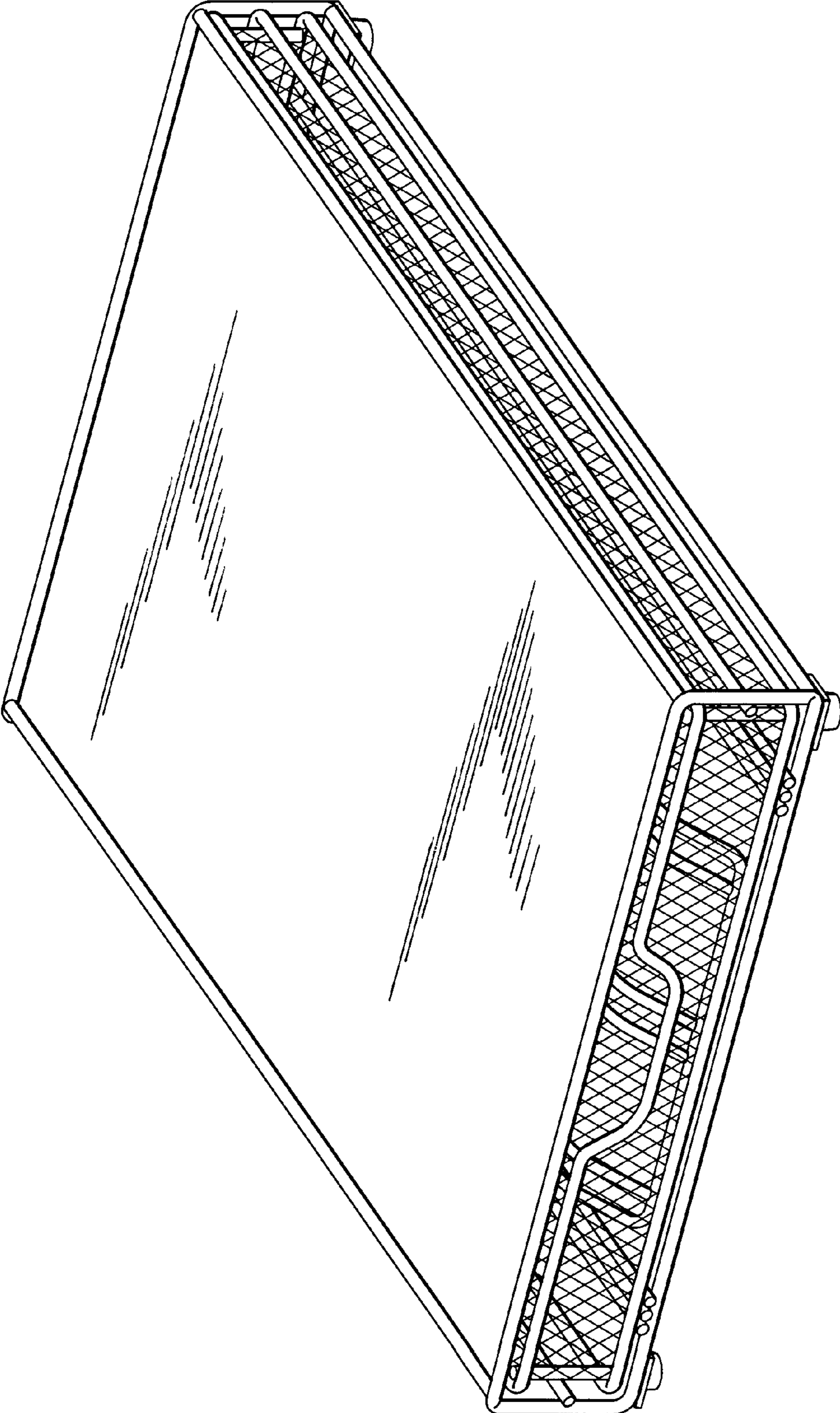


FIG.2



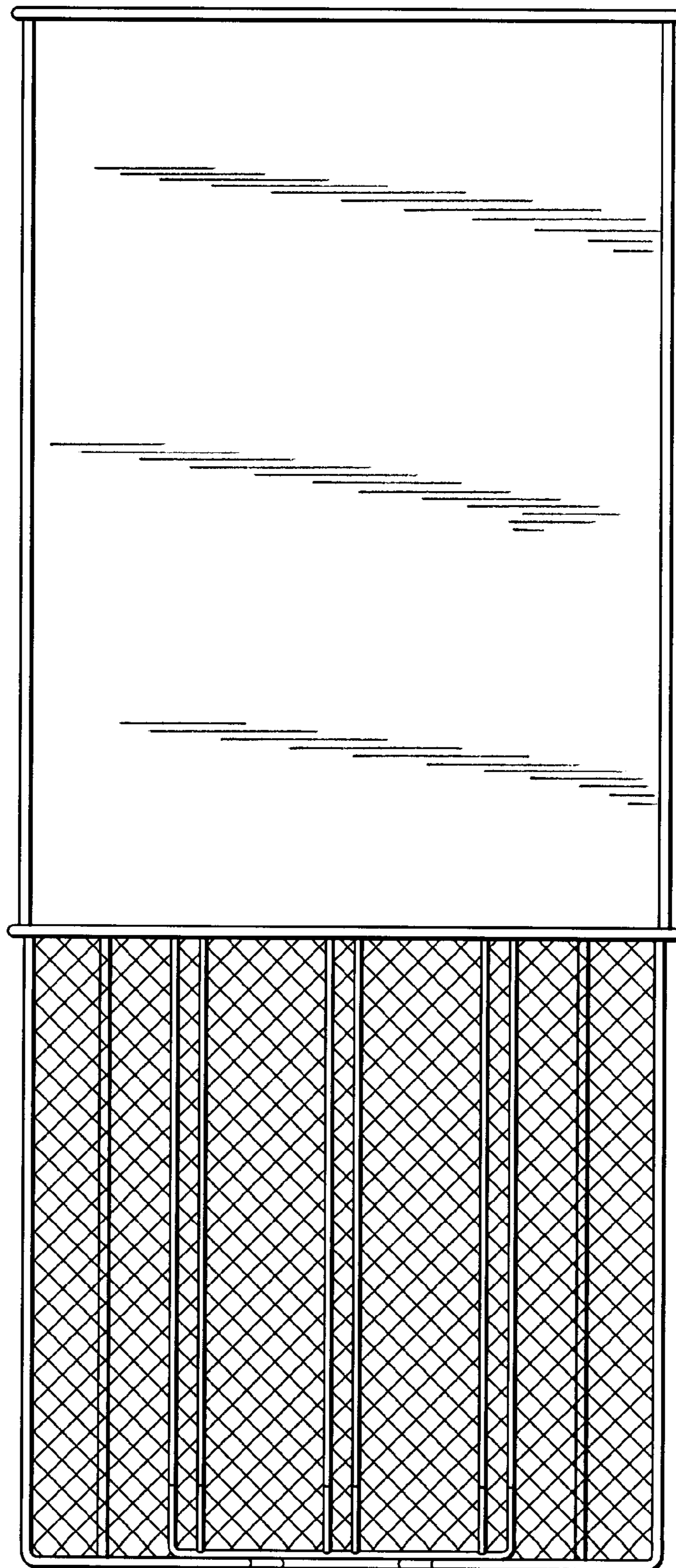


FIG.3

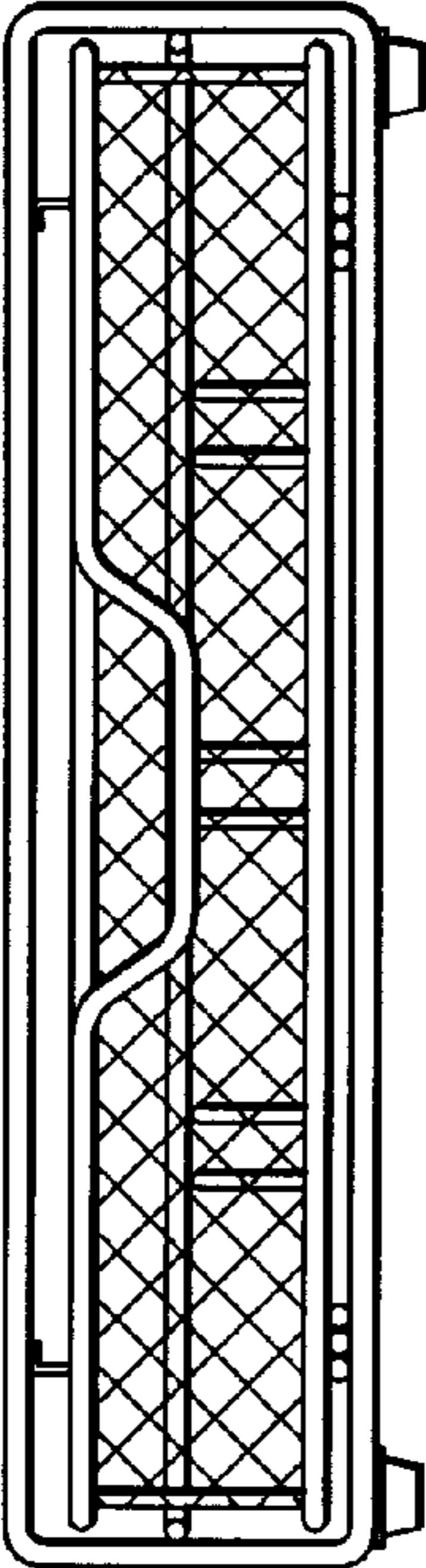


FIG. 4

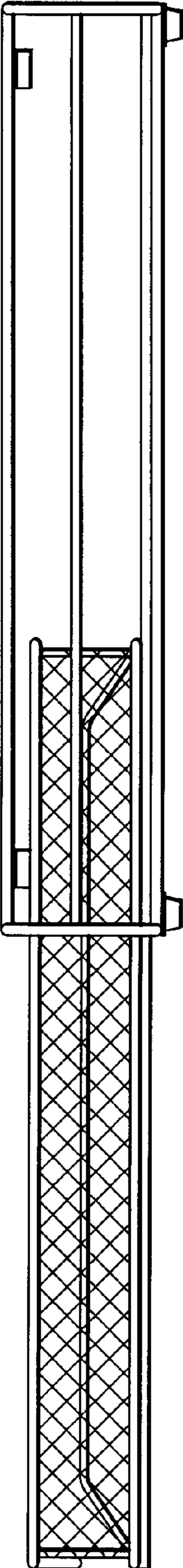


FIG. 5

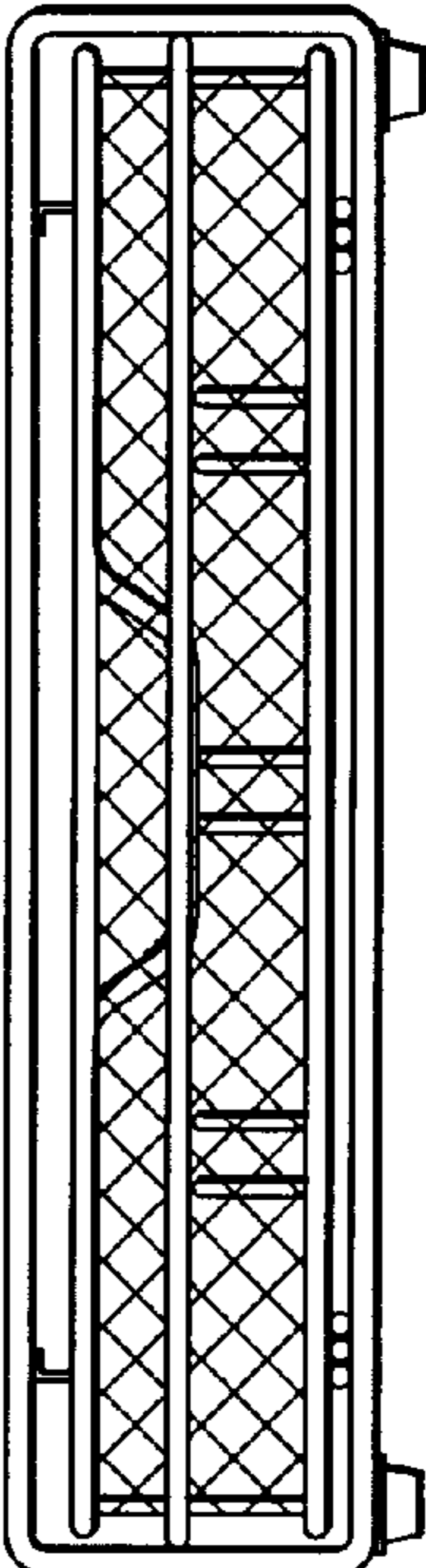


FIG. 6

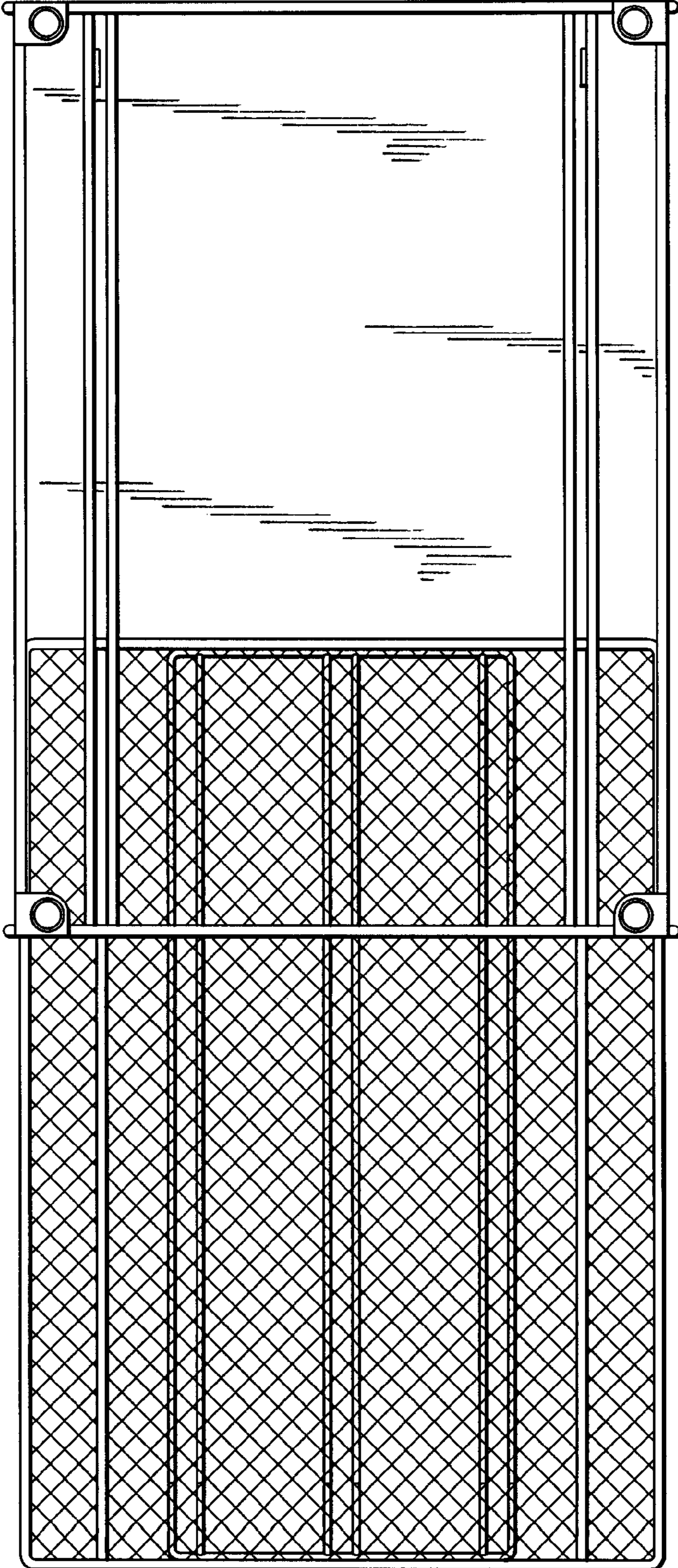


FIG.7