



US00D679953S

(12) **United States Design Patent**
Peterson et al.

(10) **Patent No.:** **US D679,953 S**

(45) **Date of Patent:** **** Apr. 16, 2013**

(54) **SYRUP DISPENSER**

(75) Inventors: **Christopher L. Peterson**, Chippewa Falls, WI (US); **David Keyes**, Eau Claire, WI (US)

(73) Assignee: **Service Ideas, Inc.**, Woodbury, MN (US)

(**) Term: **14 Years**

(21) Appl. No.: **29/429,272**

(22) Filed: **Aug. 8, 2012**

(51) **LOC (9) Cl.** **07-06**

(52) **U.S. Cl.**
USPC **D7/598**

(58) **Field of Classification Search** D7/598,
D7/322, 310, 312, 314, 317-320, 397, 590,
D7/600, 608; 73/328; 215/12.1, 398; 220/4.01,
220/592.22, 663, 756; 222/23, 25, 144.5,
222/156, 158, 183, 185.1, 444, 446-451,
222/465.1, 469, 470-473, 475.1
See application file for complete search history.

(56) **References Cited**

U.S. PATENT DOCUMENTS

96,178	A *	10/1869	Wright	222/556
2,251,392	A *	8/1941	Bernhardt	222/511
2,312,380	A *	3/1943	Bernhardt	222/517
D149,513	S *	5/1948	Miller-Munk	D7/321
2,544,062	A *	3/1951	Bernhardt	222/470
2,554,293	A *	5/1951	Brown	222/470

D393,174	S *	4/1998	Mork et al.	D7/318
D413,480	S *	9/1999	Joergensen	D7/317
D453,279	S *	2/2002	Huang	D7/318
6,474,514	B1 *	11/2002	Guillemin et al.	222/475.1
D521,795	S *	5/2006	Imai	D7/318
D547,997	S *	8/2007	Parcels	D7/319
D554,436	S *	11/2007	Nybakke	D7/598
D562,623	S *	2/2008	Nybakke	D7/392
D666,916	S *	9/2012	Enciso et al.	D9/541
2009/0071988	A1 *	3/2009	Nybakke	222/472

* cited by examiner

Primary Examiner — Ian Simmons

Assistant Examiner — Shannon Weekley

(74) *Attorney, Agent, or Firm* — Skaar Ulbrich Macari, P.A.

(57) **CLAIM**

We claim the ornamental design for a syrup dispenser, as shown and described.

DESCRIPTION

FIG. 1 is a perspective view of our syrup dispenser.
FIG. 2 is a left side view, the right side view being a mirror image thereof.

FIG. 3 is a top view thereof.

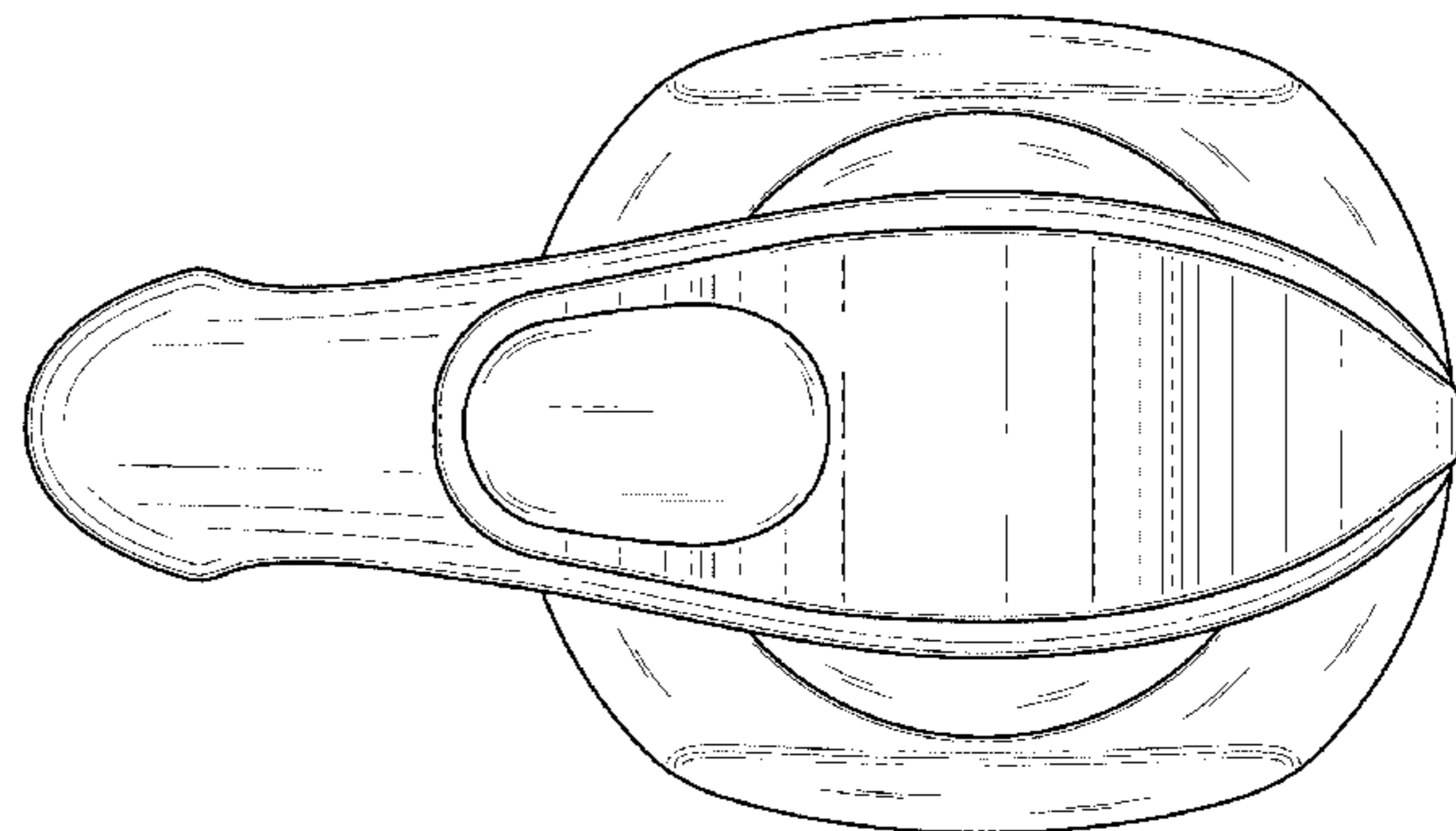
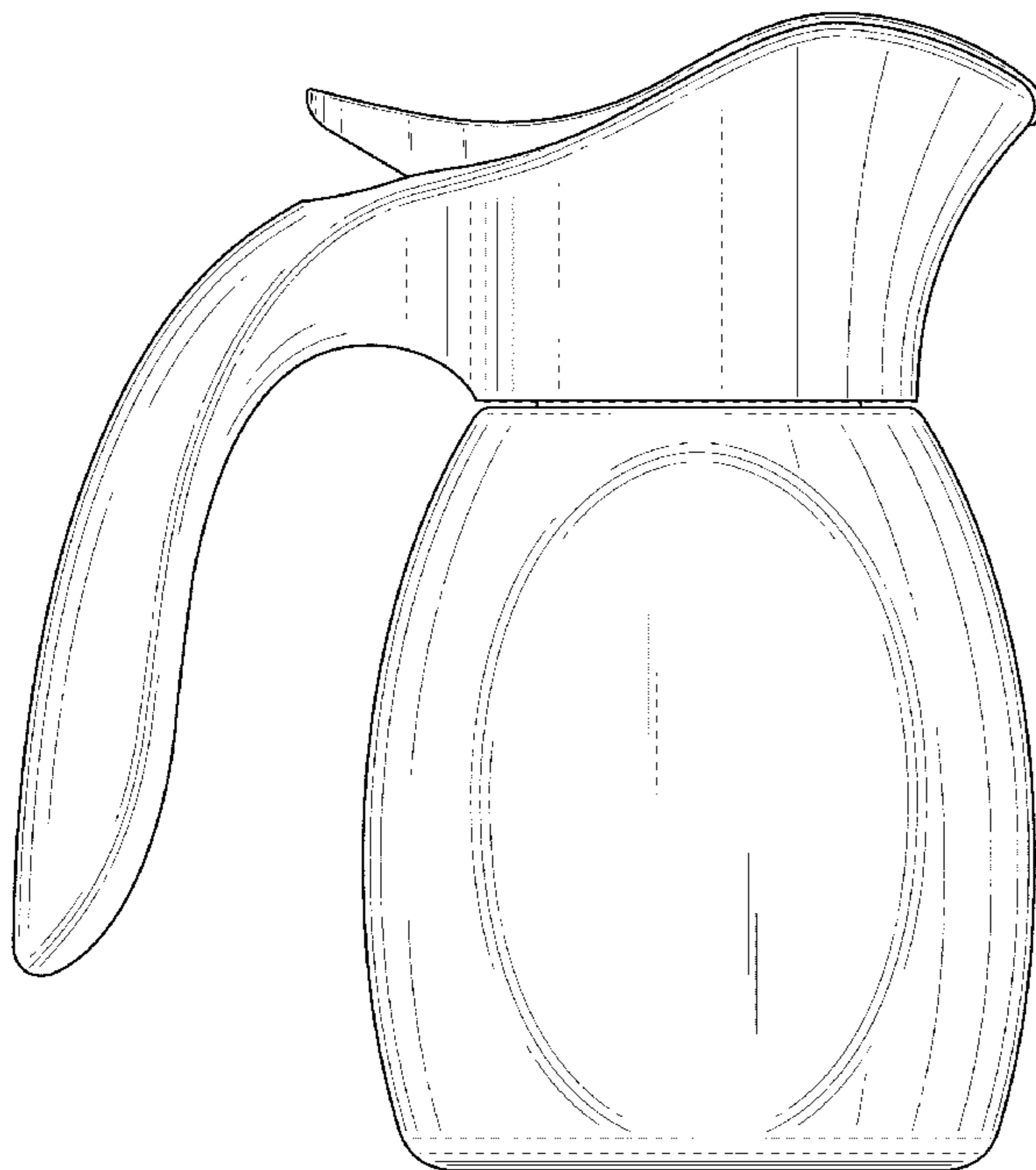
FIG. 4 is a bottom view thereof.

FIG. 5 is a front view thereof; and,

FIG. 6 is a rear view thereof.

The broken lines shown in FIGS. 1, 4, and 6 of the syrup dispenser is for the purpose of illustrating environment only, and forms no part of the claimed design.

1 Claim, 6 Drawing Sheets



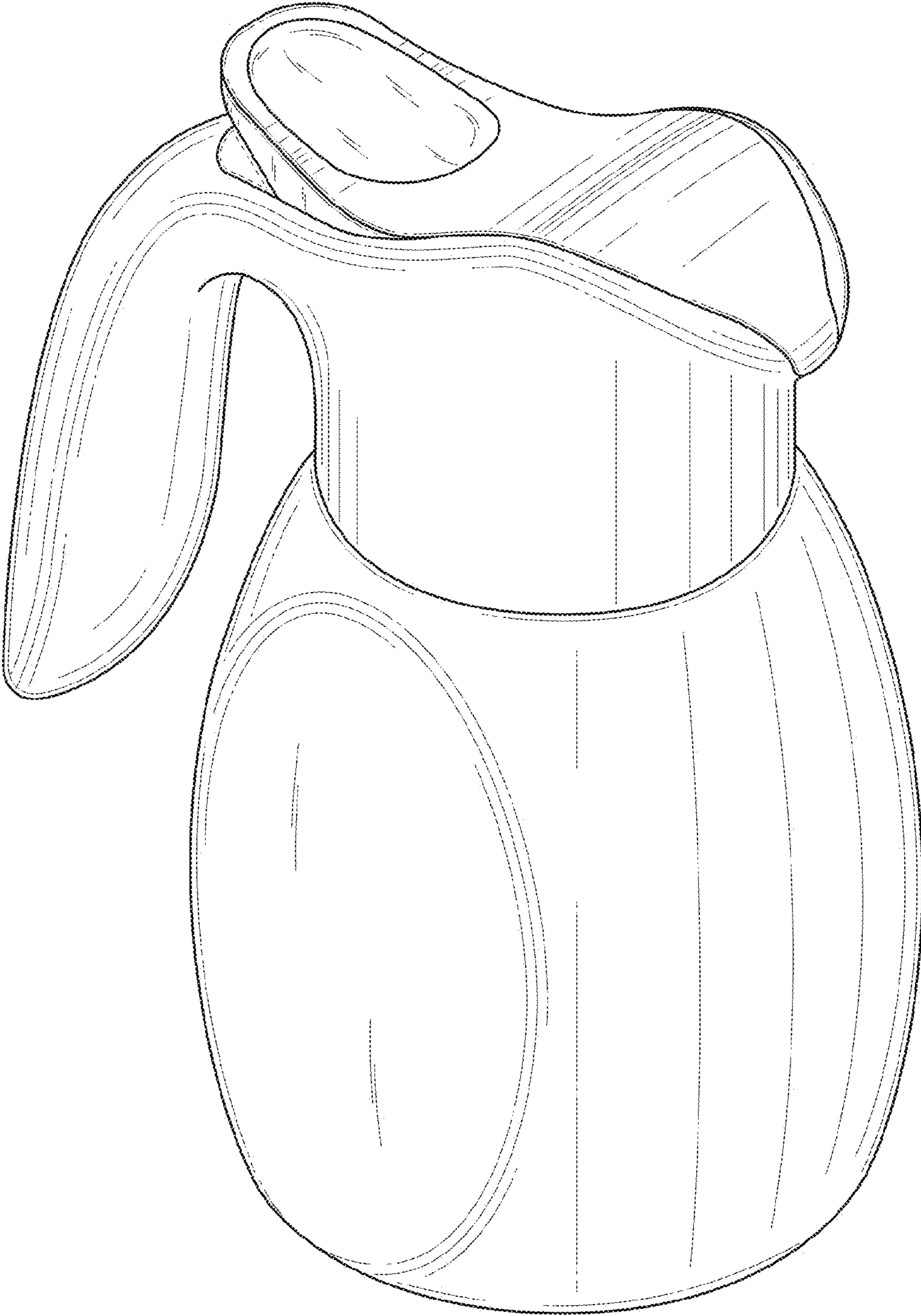


Fig. 1

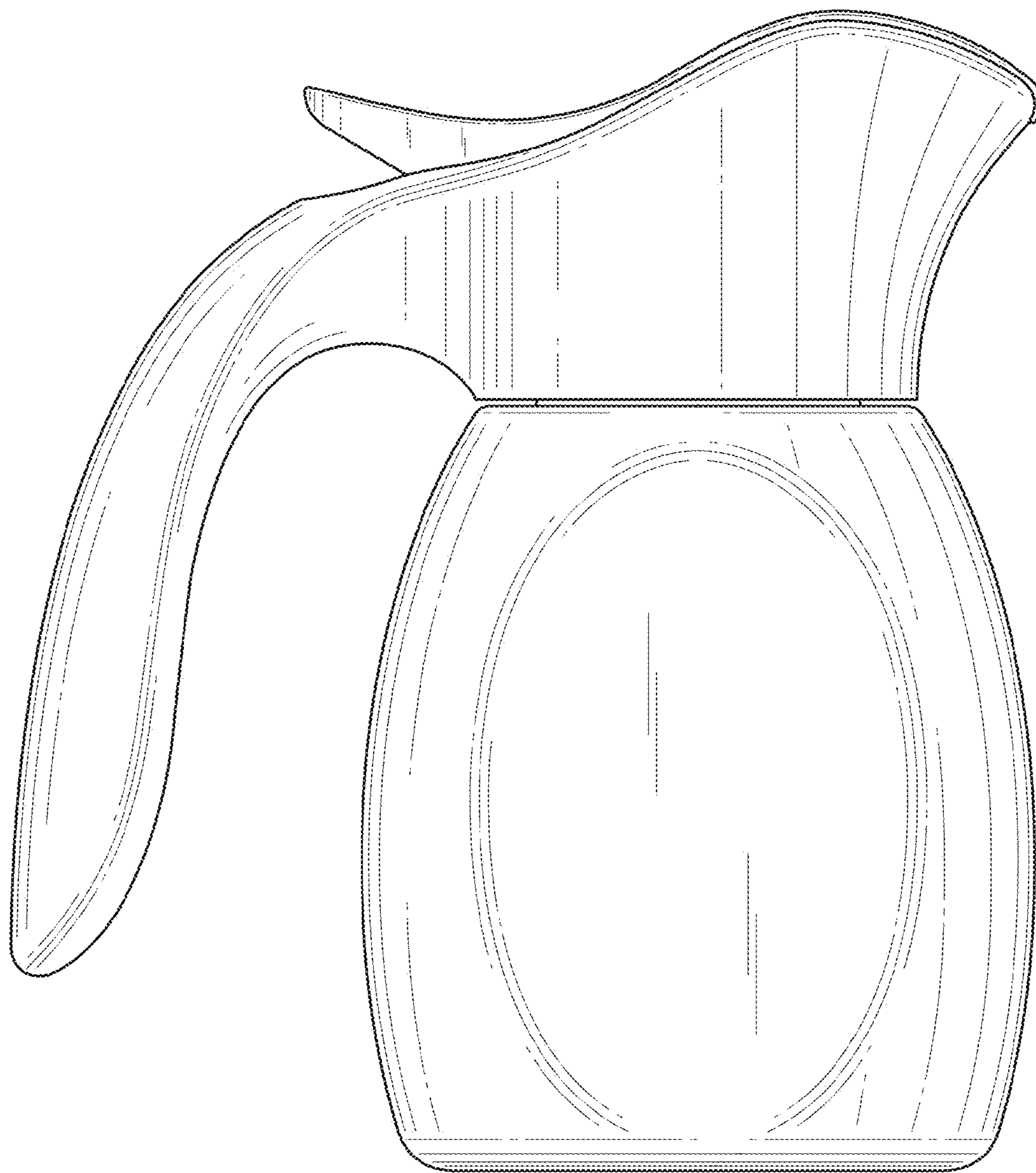


Fig. 2

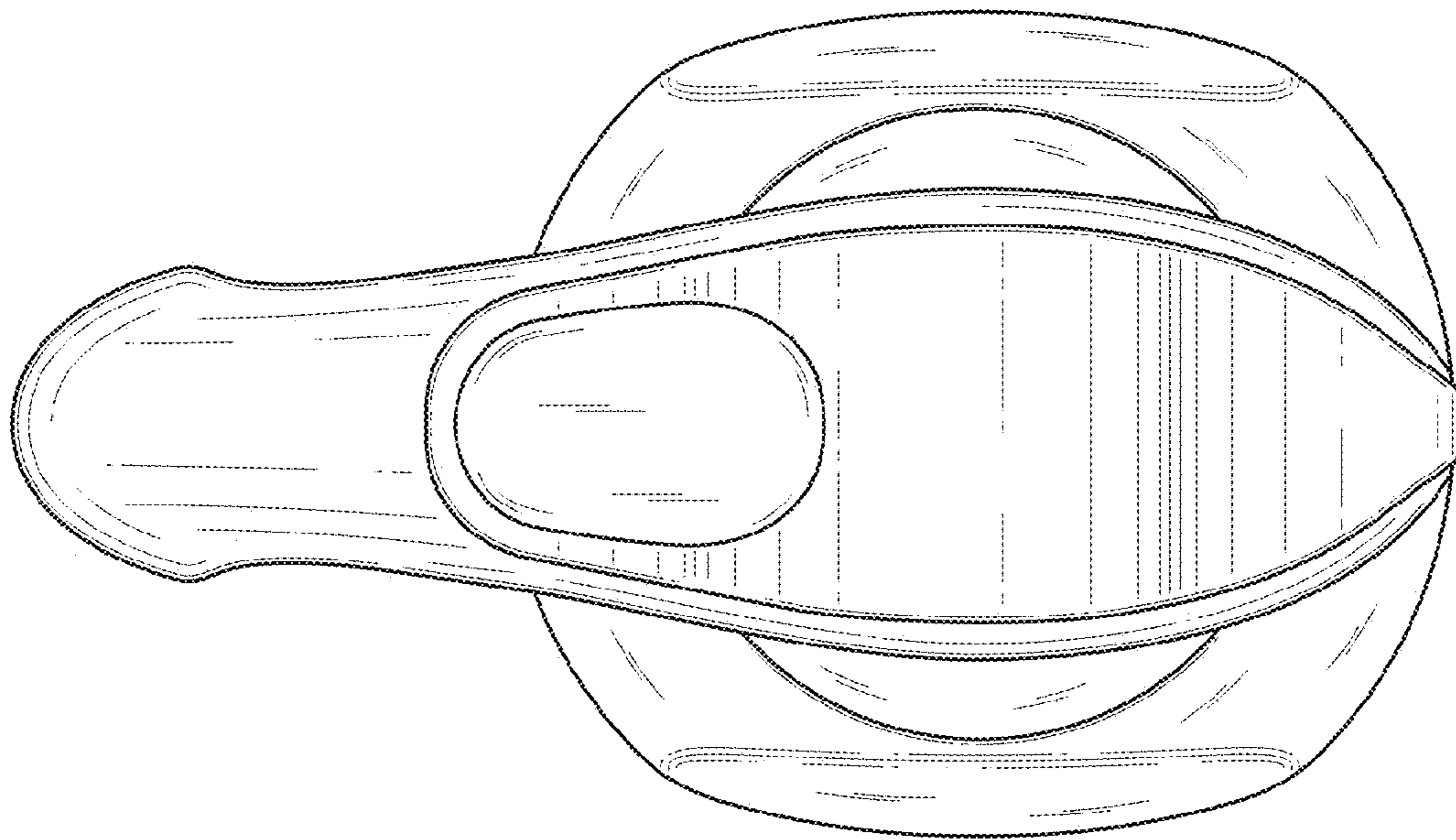


Fig. 3

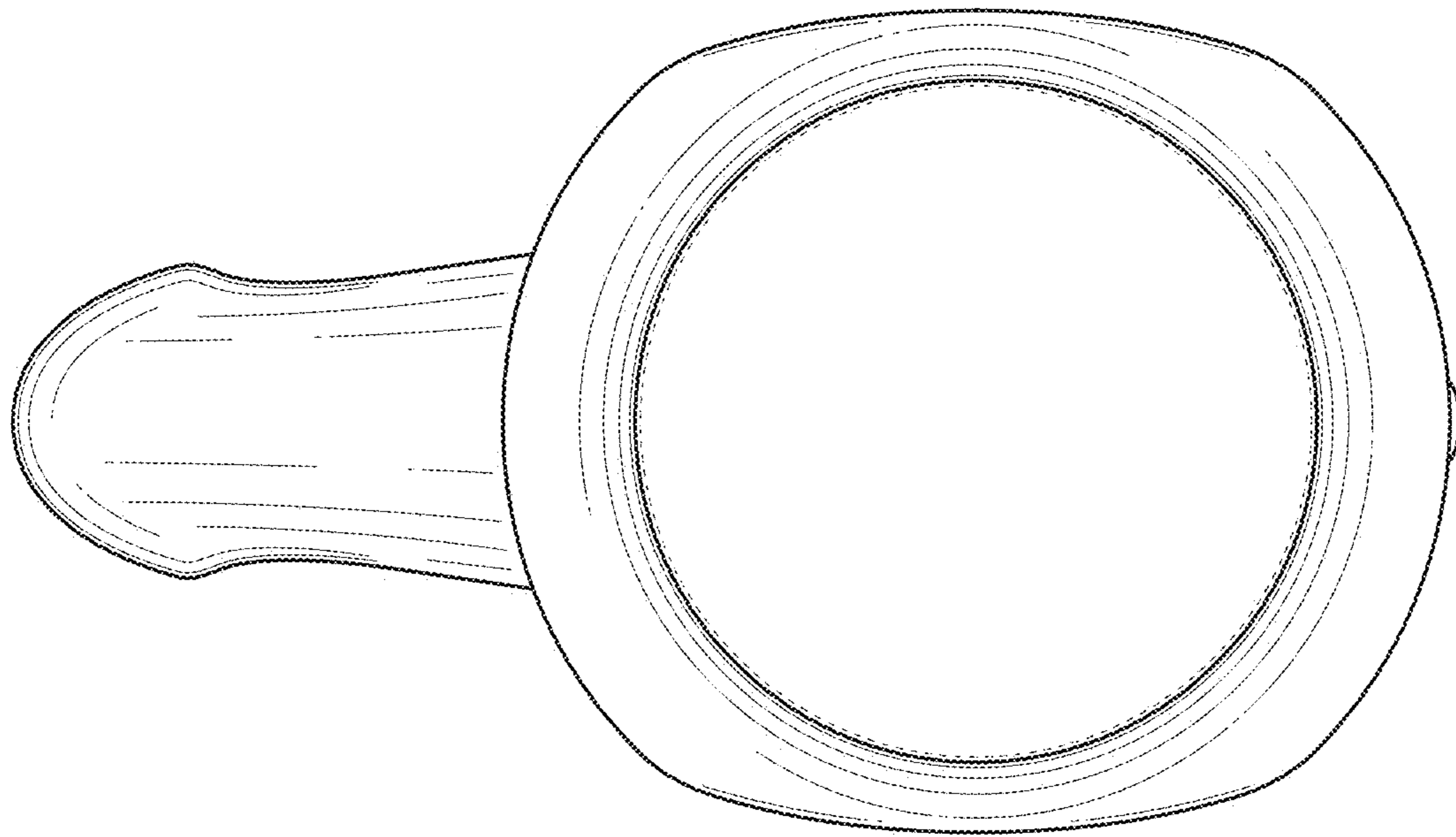


Fig. 4

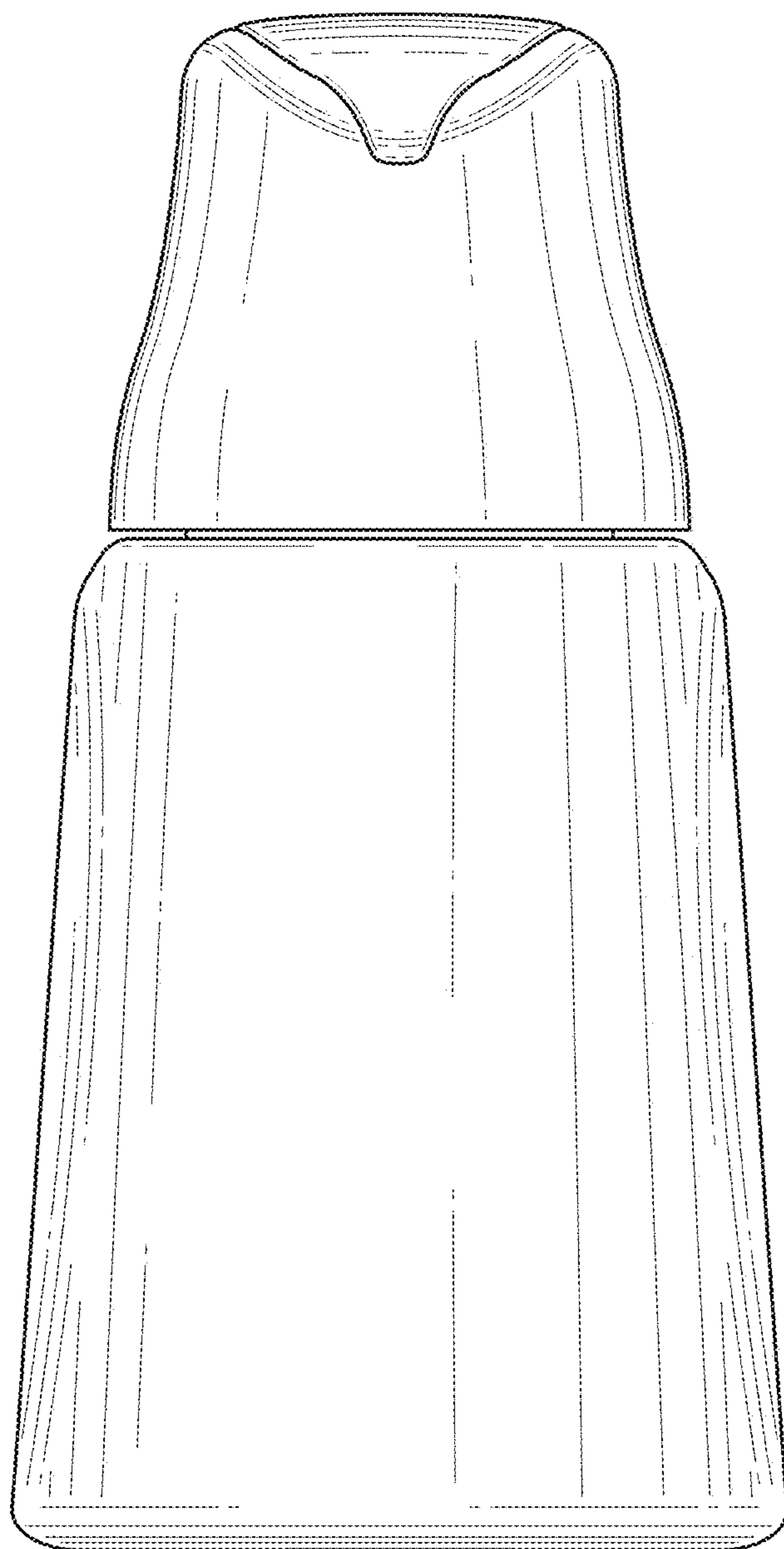


Fig. 5

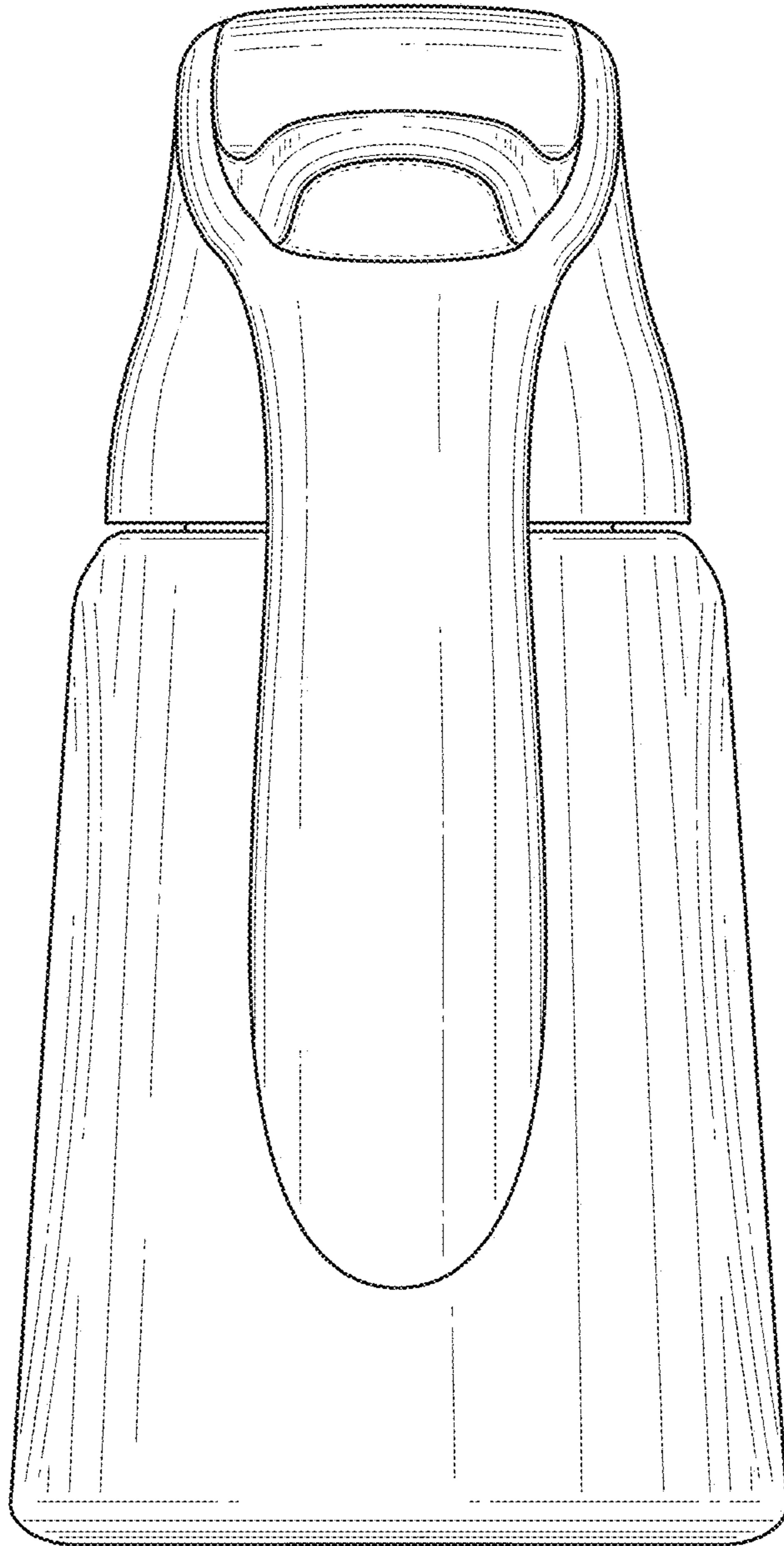


Fig. 6