



US00D679952S

(12) **United States Design Patent**  
**Holding et al.**

(10) **Patent No.:** **US D679,952 S**

(45) **Date of Patent:** **\*\* Apr. 16, 2013**

(54) **SLICE AND SERVE TRAY**

(75) Inventors: **Bill Holding**, London (GB); **Ben Cox**,  
London (GB)

(73) Assignee: **Joseph Joseph Ltd.**, London (GB)

(\*\*) Term: **14 Years**

(21) Appl. No.: **29/431,906**

(22) Filed: **Sep. 12, 2012**

(30) **Foreign Application Priority Data**

Jun. 8, 2012 (EM) ..... 002054924-0007

(51) **LOC (9) Cl.** ..... **07-01**

(52) **U.S. Cl.**  
USPC ..... **D7/550.1**

(58) **Field of Classification Search** ..... D7/392.1,  
D7/543, 545-546, 552.1-554.4, 555, 548,  
D7/381-382, 584, 588, 601-602; D9/430-431,  
D9/738-739; 211/74; 220/23.83, 62.12,  
220/495.03, 506-507, 574

See application file for complete search history.

(56) **References Cited**

U.S. PATENT DOCUMENTS

D451,347 S \* 12/2001 Kleckauskas et al. .... D7/552.1  
D463,202 S \* 9/2002 Smith ..... D7/359  
D473,098 S \* 4/2003 Wingeier ..... D7/359

D475,571 S \* 6/2003 Hopkins ..... D7/359  
D532,655 S \* 11/2006 Elwell et al. .... D7/409  
D542,780 S \* 5/2007 Nguyen et al. .... D14/217  
D573,466 S \* 7/2008 White et al. .... D9/456  
D575,988 S \* 9/2008 McComas ..... D7/549  
D598,714 S \* 8/2009 Aagaard ..... D7/554.1  
D609,974 S \* 2/2010 Maertz ..... D7/545

\* cited by examiner

*Primary Examiner* — Kelley Donnelly

(74) *Attorney, Agent, or Firm* — Millen, White, Zelano &  
Branigan, P.C.

(57) **CLAIM**

I claim the ornamental design for a slice and serve tray, as  
shown and described.

**DESCRIPTION**

FIG. 1 is a top view of a slice and serve tray showing my new  
design;

FIG. 2 is a left side view thereof;

FIG. 3 is a front view thereof;

FIG. 4 is a right side view thereof;

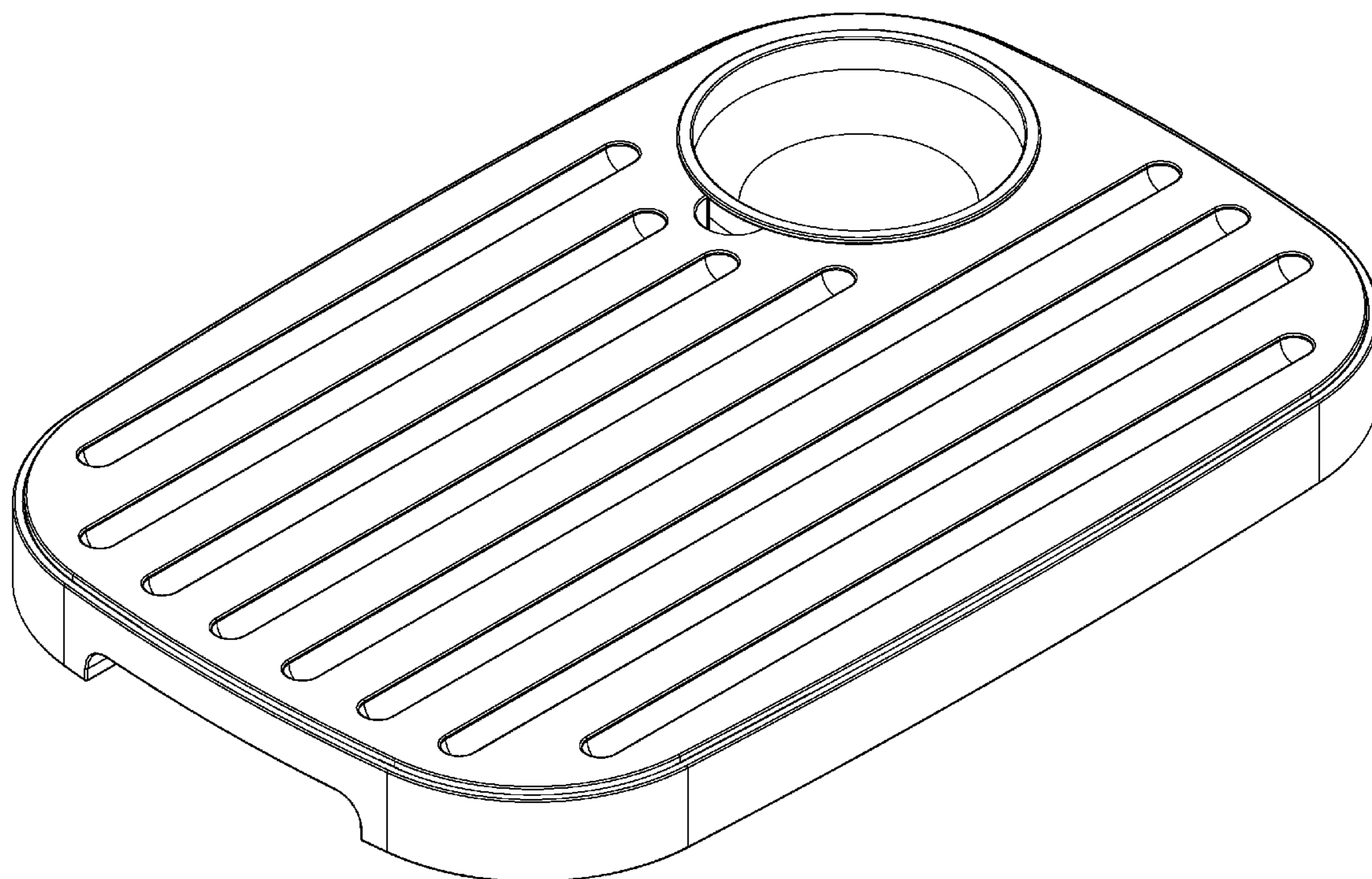
FIG. 5 is a rear view thereof;

FIG. 6 is a bottom view thereof; and,

FIG. 7 is a top perspective view thereof.

The broken line showing is for the purpose of illustrating the  
environment of the design and forms no part of the claimed  
design.

**1 Claim, 7 Drawing Sheets**



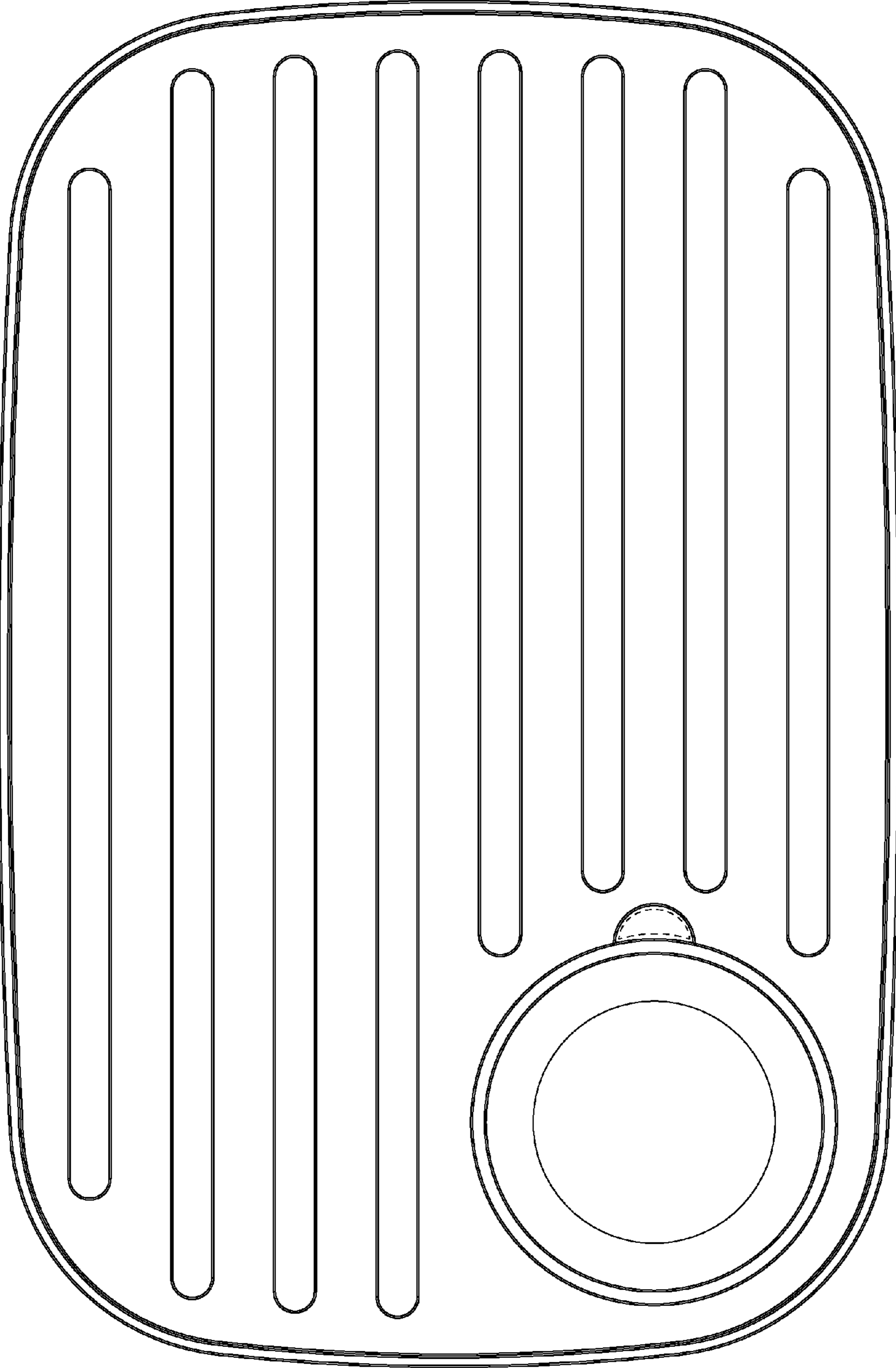


FIG. 1

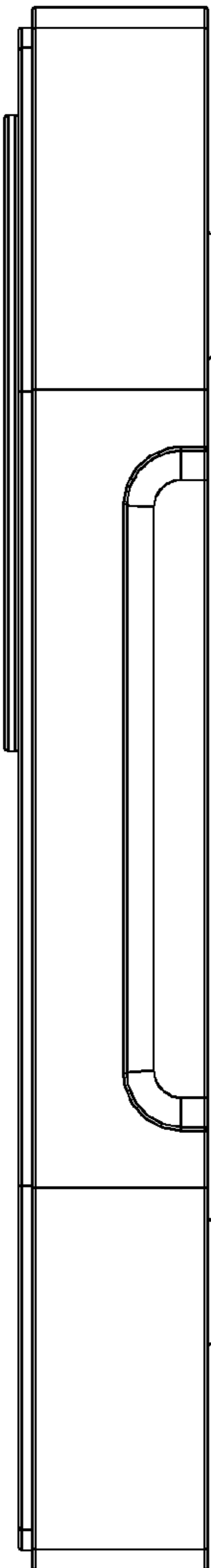


FIG. 2

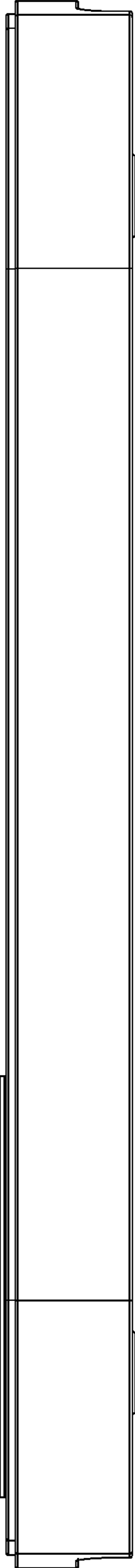


FIG. 3

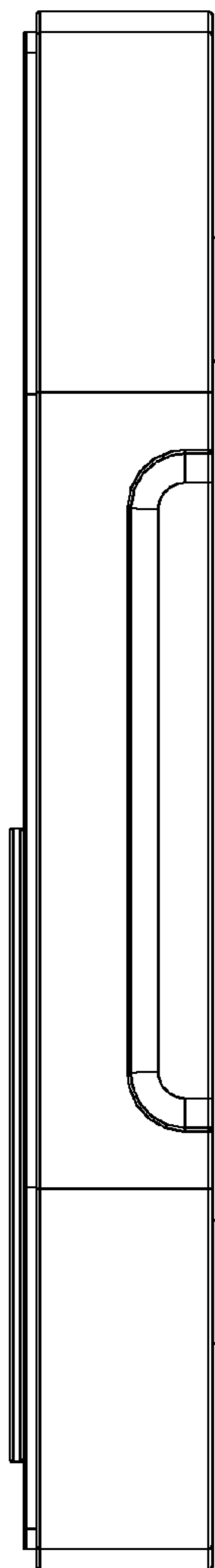


FIG. 4

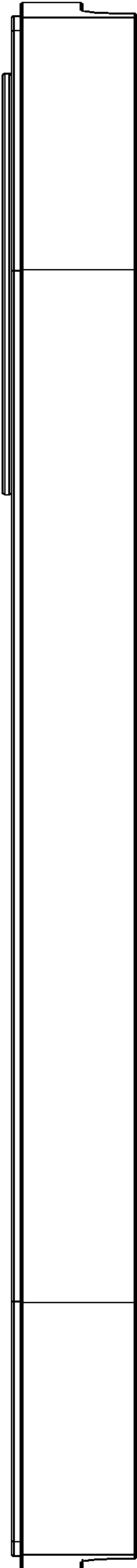


FIG. 5

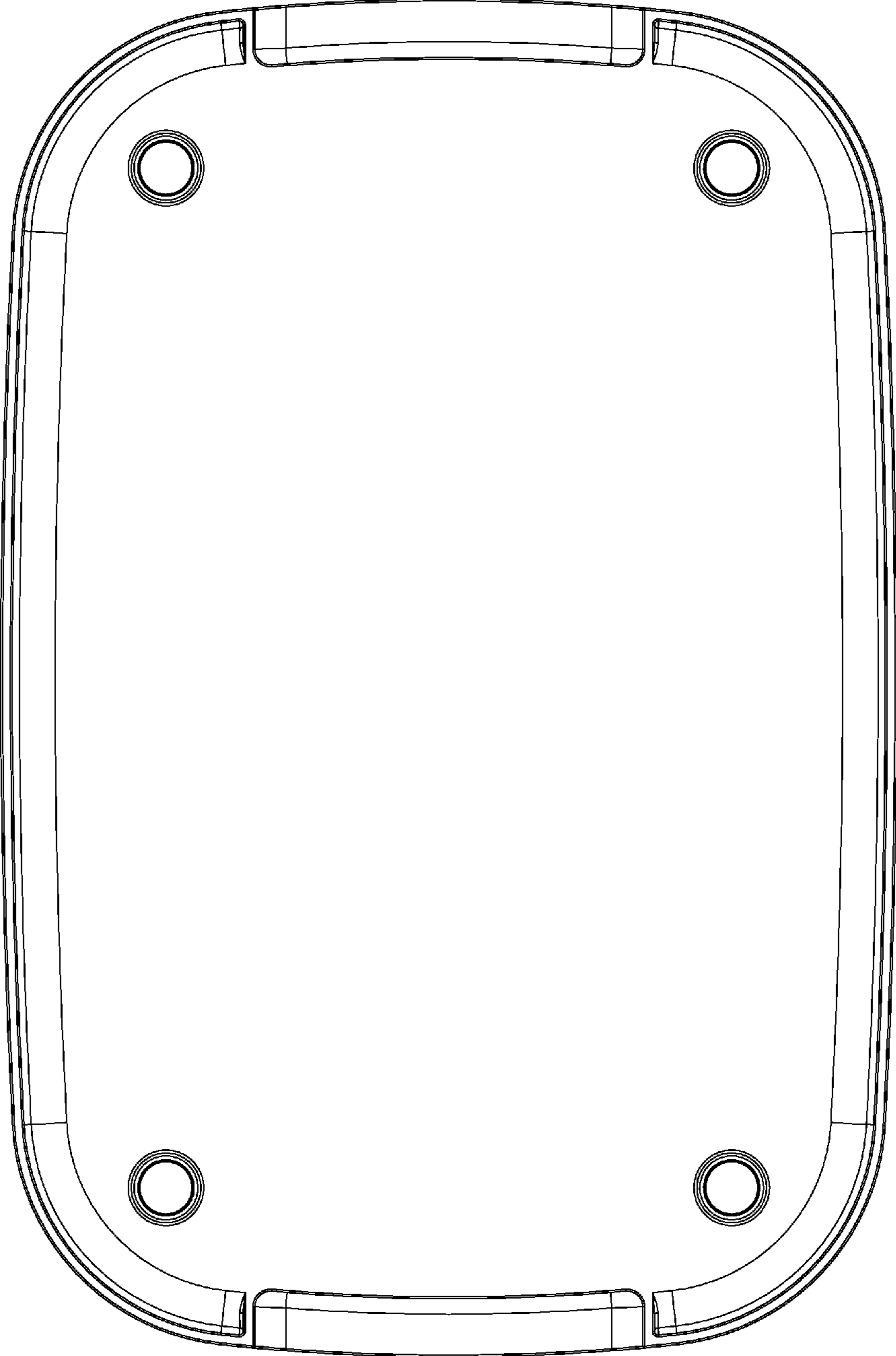


FIG. 6

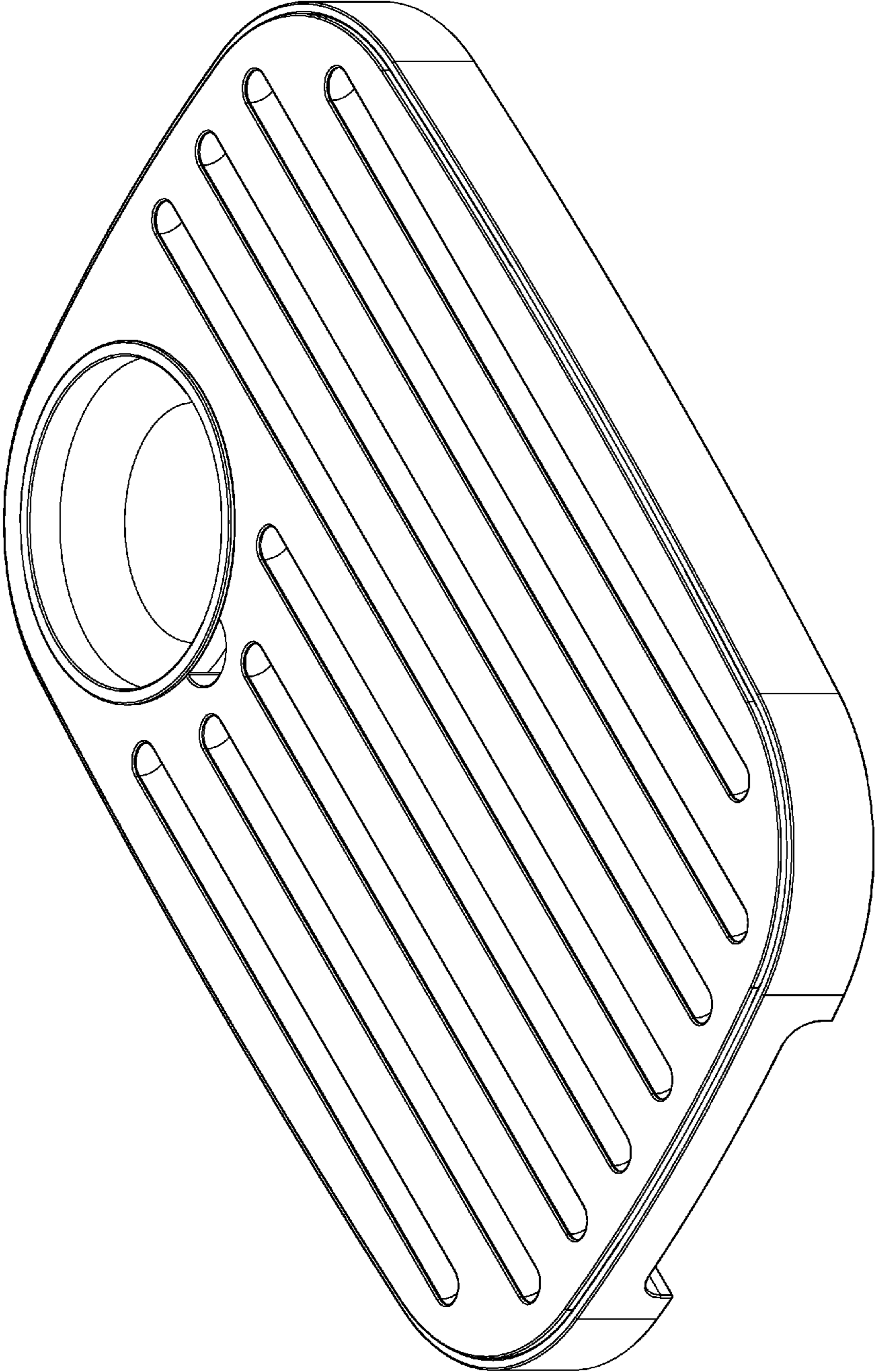


FIG. 7