



US00D679951S

(12) **United States Design Patent**  
**Khaoorn**

(10) **Patent No.:** **US D679,951 S**

(45) **Date of Patent:** **\*\* Apr. 16, 2013**

(54) **NON-SPILL BOWL**

(71) Applicant: **Suksan Khaorn**, Tampa, FL (US)

(72) Inventor: **Suksan Khaorn**, Tampa, FL (US)

(\*\*) Term: **14 Years**

(21) Appl. No.: **29/433,462**

(22) Filed: **Sep. 30, 2012**

(51) **LOC (9) Cl.** ..... **07-01**

(52) **U.S. Cl.**  
USPC ..... **D7/538; D7/571; D7/543**

(58) **Field of Classification Search** ..... D7/545,  
D7/586, 500, 543, 566, 620, 629, 552.1, 354,  
D7/584, 360, 361, 505, 587, 571, 538; 220/751,  
220/23.4, 574; D9/432; D30/127  
See application file for complete search history.

(56) **References Cited**

**U.S. PATENT DOCUMENTS**

D174,182 S *	3/1955	Kallenberg	.....	D27/126
D539,093 S *	3/2007	Robinson	.....	D7/545
D543,796 S *	6/2007	Lion et al.	.....	D7/667
7,306,112 B2 *	12/2007	Shepard	.....	220/506
D572,978 S *	7/2008	Bizzell	.....	D7/543
D606,176 S *	12/2009	Urquiola	.....	D23/293.1
D635,402 S *	4/2011	Shah	.....	D7/538
D644,490 S *	9/2011	Shah	.....	D7/542
D653,916 S *	2/2012	Ablo	.....	D7/629

D660,658 S \* 5/2012 Kyung ..... D7/629  
2006/0016817 A1\* 1/2006 Sheppard et al. .... 220/506

\* cited by examiner

*Primary Examiner* — Cynthia Underwood

(57) **CLAIM**

The ornamental design for a non-spill bowl, as shown and described.

**DESCRIPTION**

FIG. 1 is a top perspective view of the non-spill bowl of the present invention

FIG. 2 is a left side exploded view of the non-spill bowl of FIG. 1;

FIG. 3 is right side exploded view of the non-spill bowl of FIG. 1;

FIG. 4 is a bottom view of the non-spill bowl of FIG. 1;

FIG. 5 is a top view of the non-spill bowl of FIG. 1;

FIG. 6 is a cross section view of the non-spill bowl taken along line 6-6 of FIG. 5;

FIG. 7 is an exploded view of the non spill bowl of FIG. 6;

FIG. 8 is a front view of the non-spill bowl of FIG. 1;

FIG. 9 is a back view of the non-spill bowl of FIG. 1;

FIG. 10 is a left view of the non-spill bowl of FIG. 1;

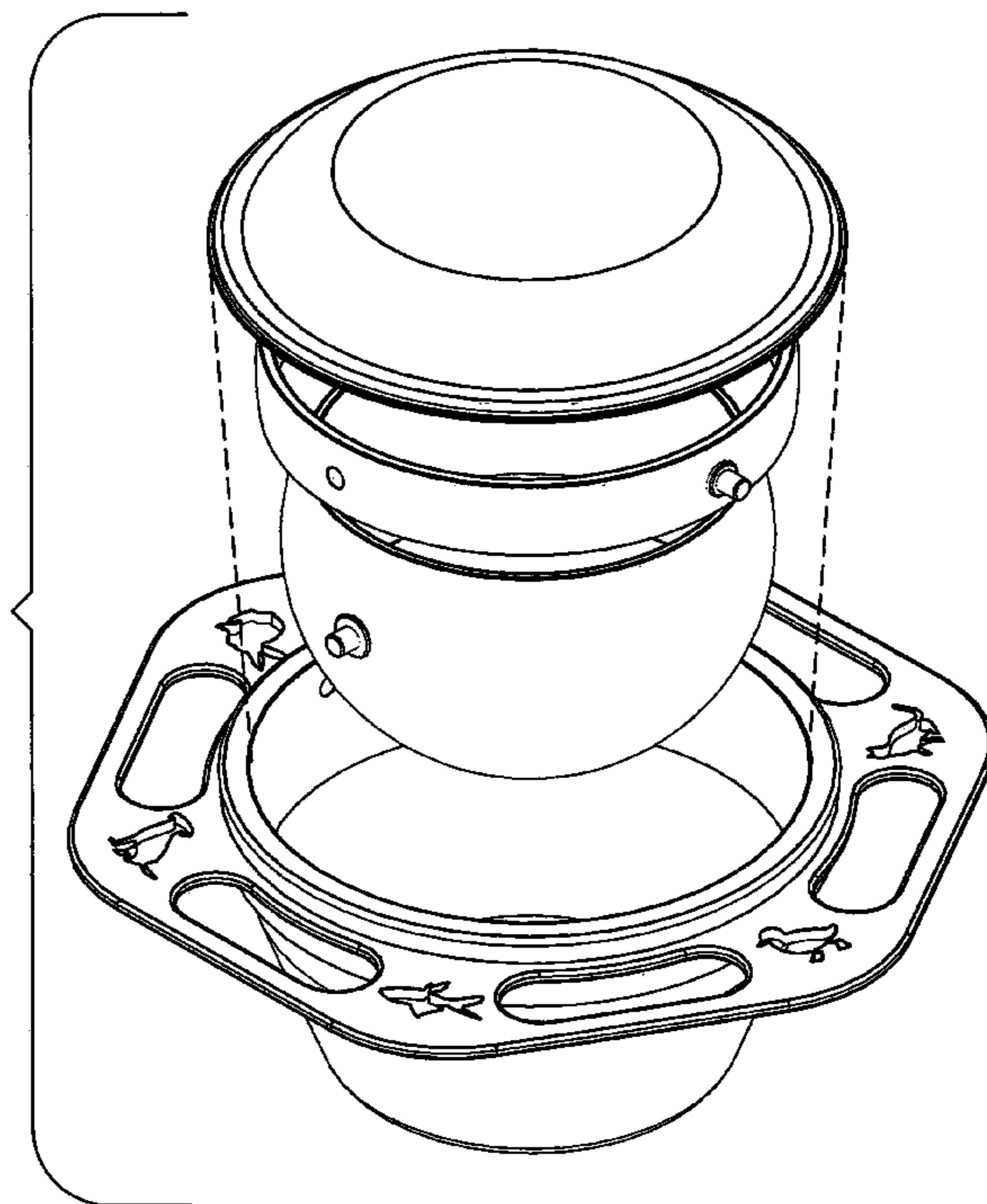
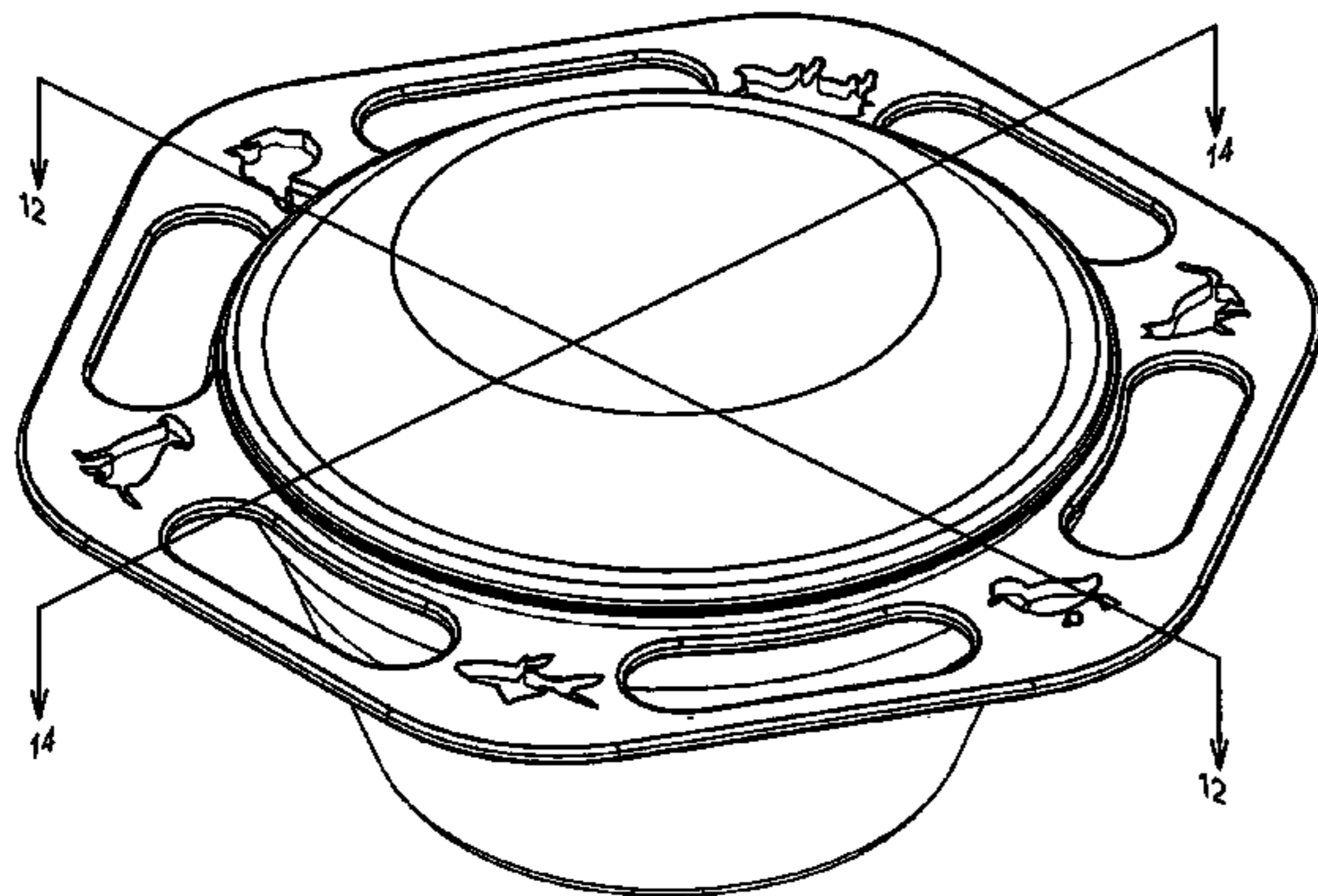
FIG. 11 is a right view of the non-spill bowl of FIG. 1;

FIG. 12 is a top perspective cross section view of the non-spill bowl taken along line 12-12 of FIG. 1;

FIG. 13 is an exploded view of the non-spill bowl of FIG. 12; and,

FIG. 14 is an exploded cross section right side perspective view of the non-spill bowl taken along line 14-14 of FIG. 1.

**1 Claim, 14 Drawing Sheets**



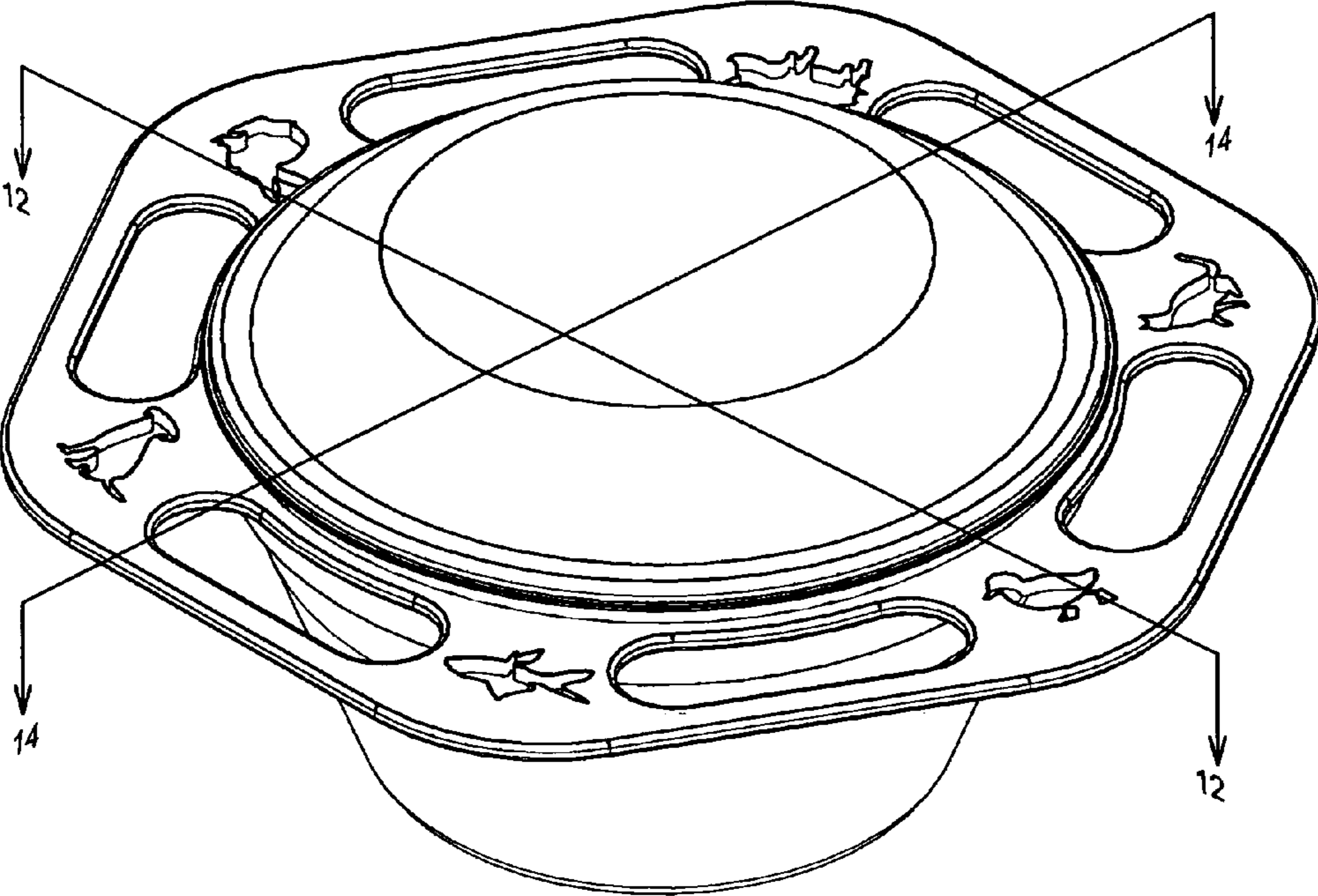


FIG. 1

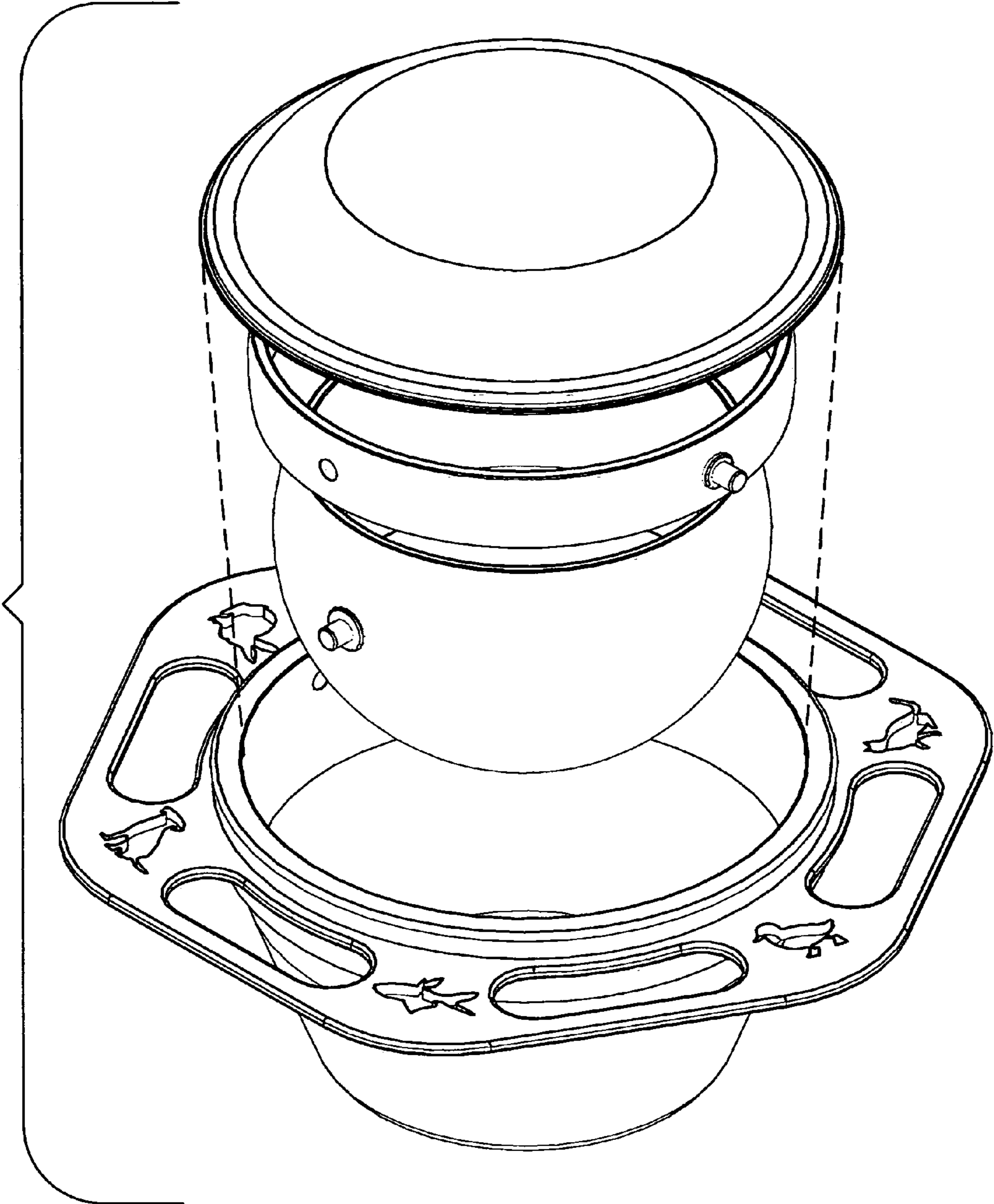


FIG. 2

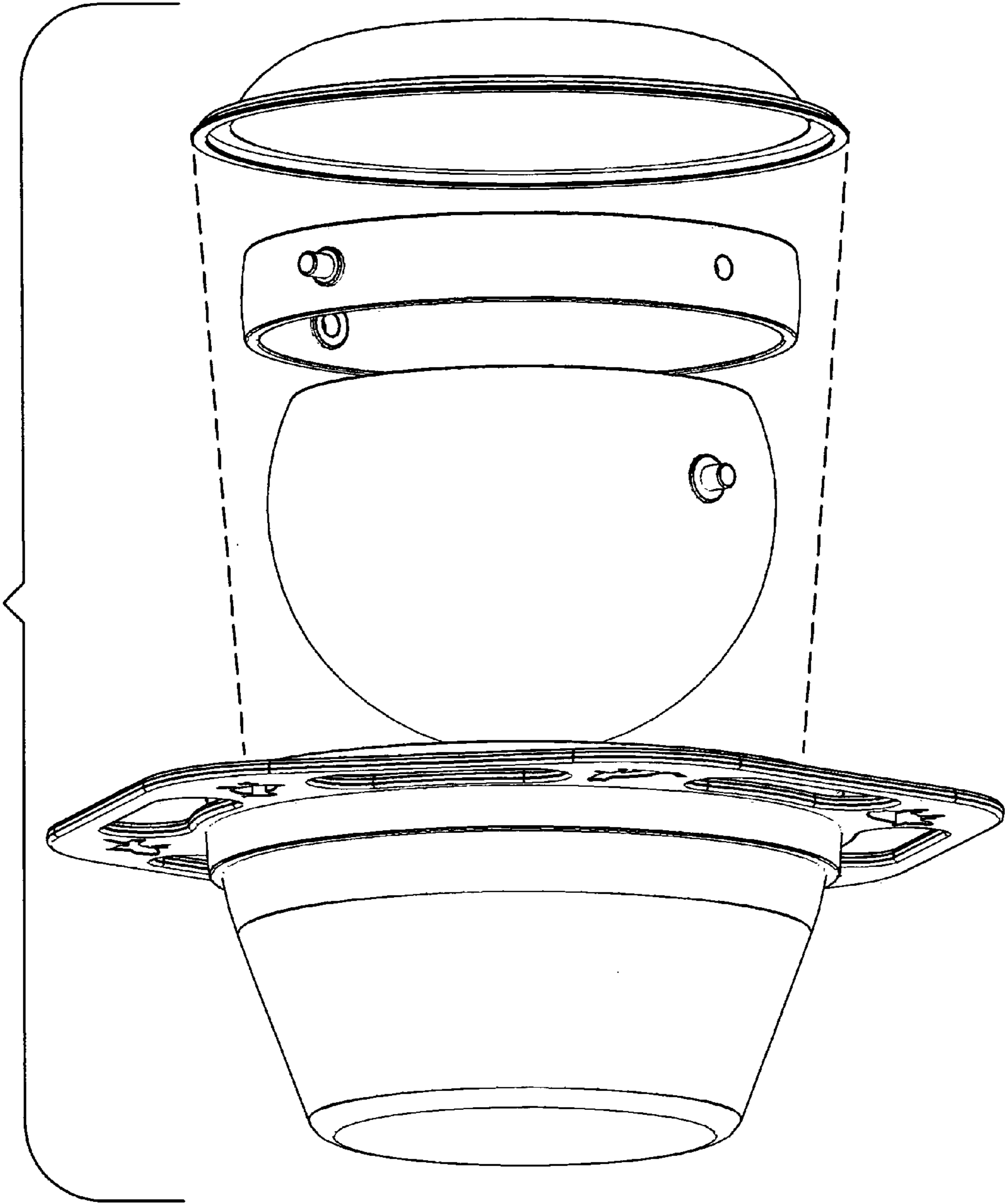


FIG. 3

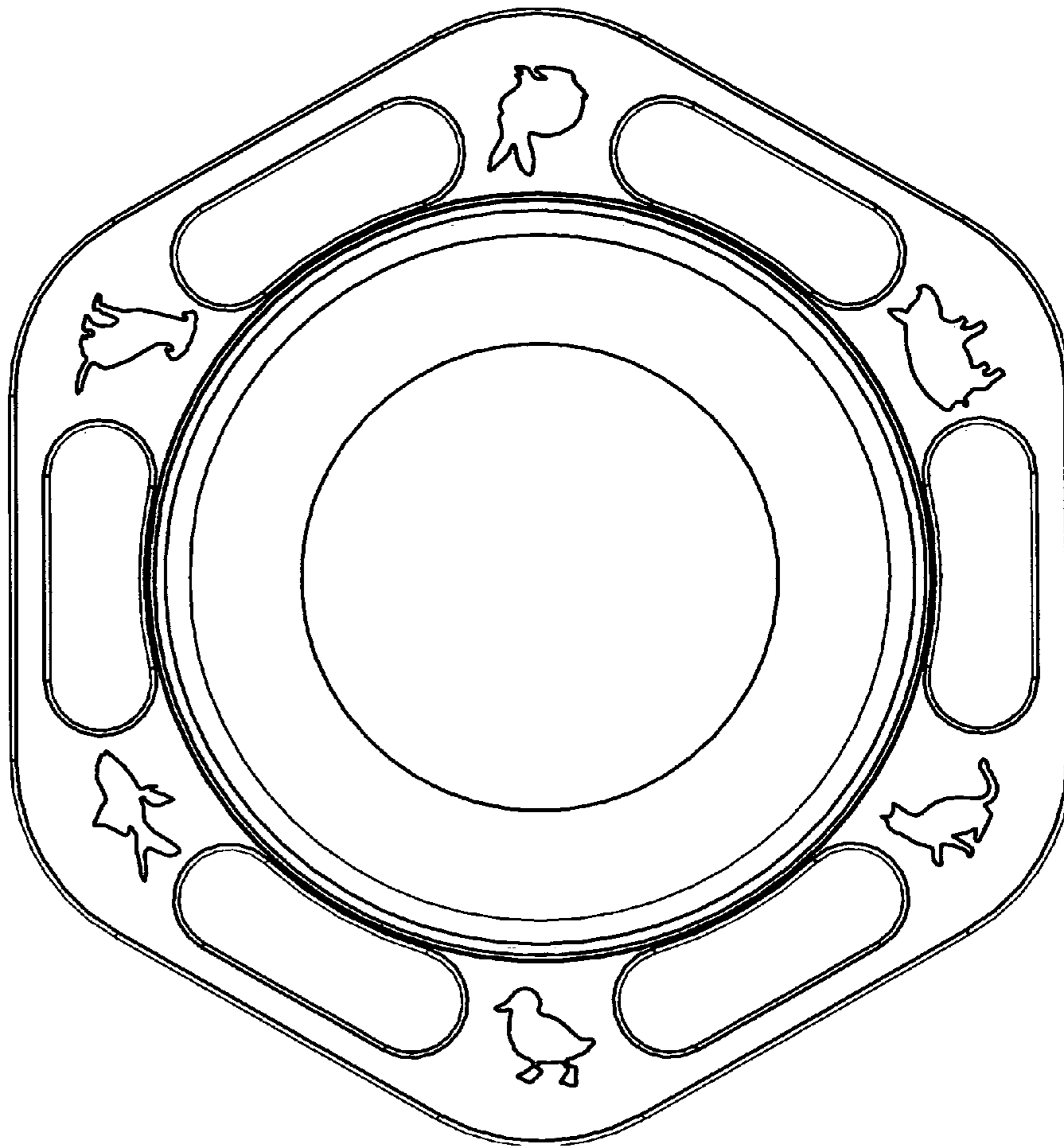


FIG. 4

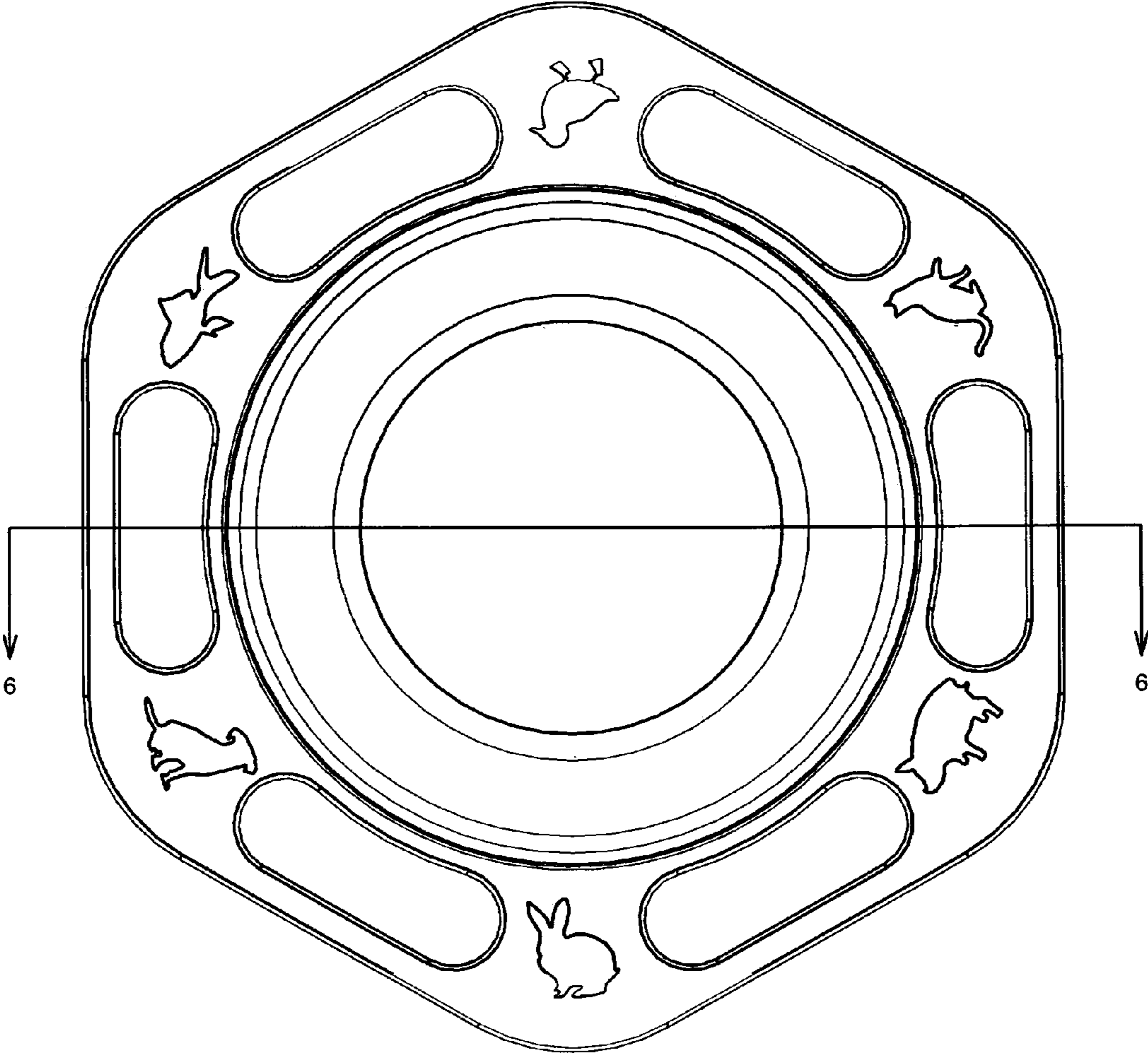


FIG. 5

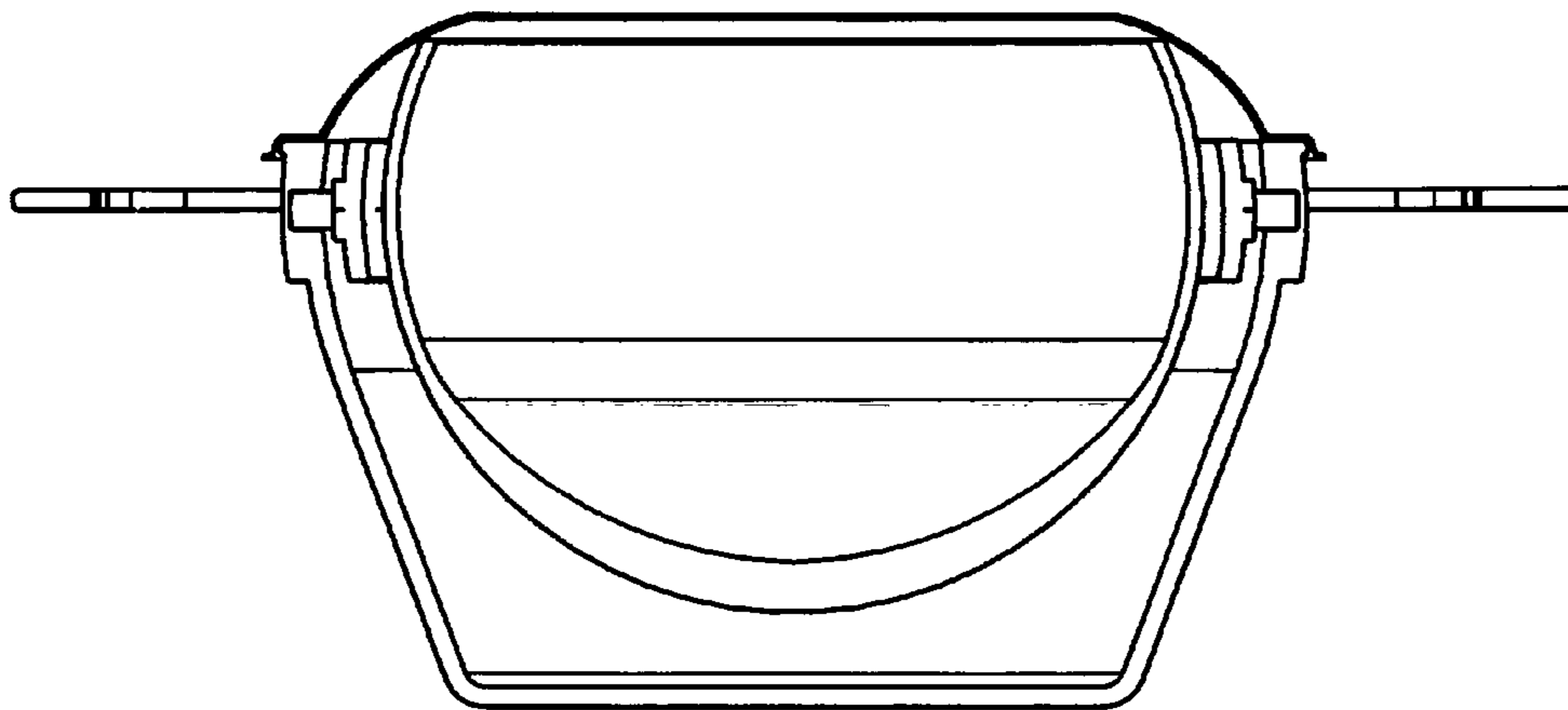


FIG. 6

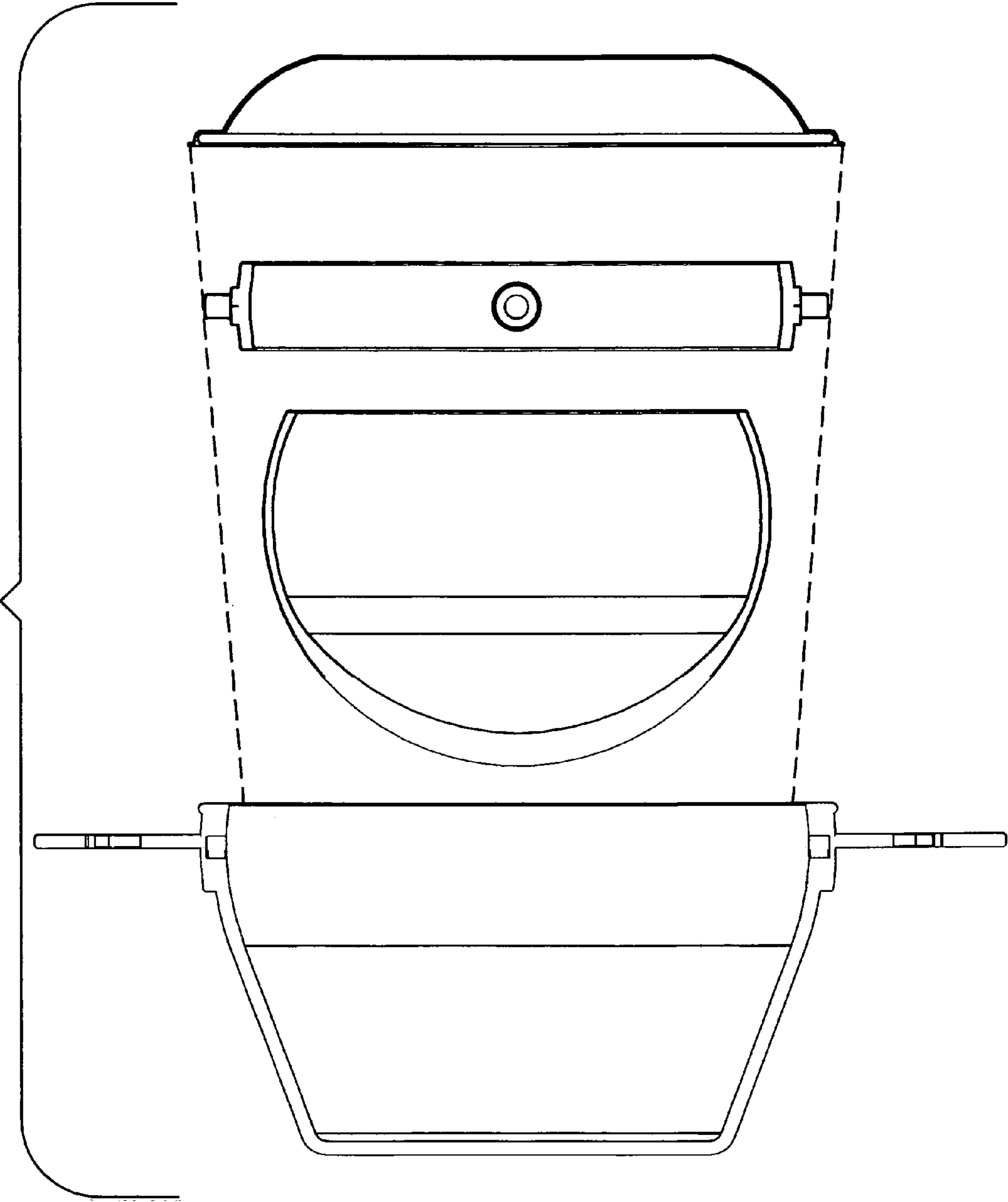


FIG. 7



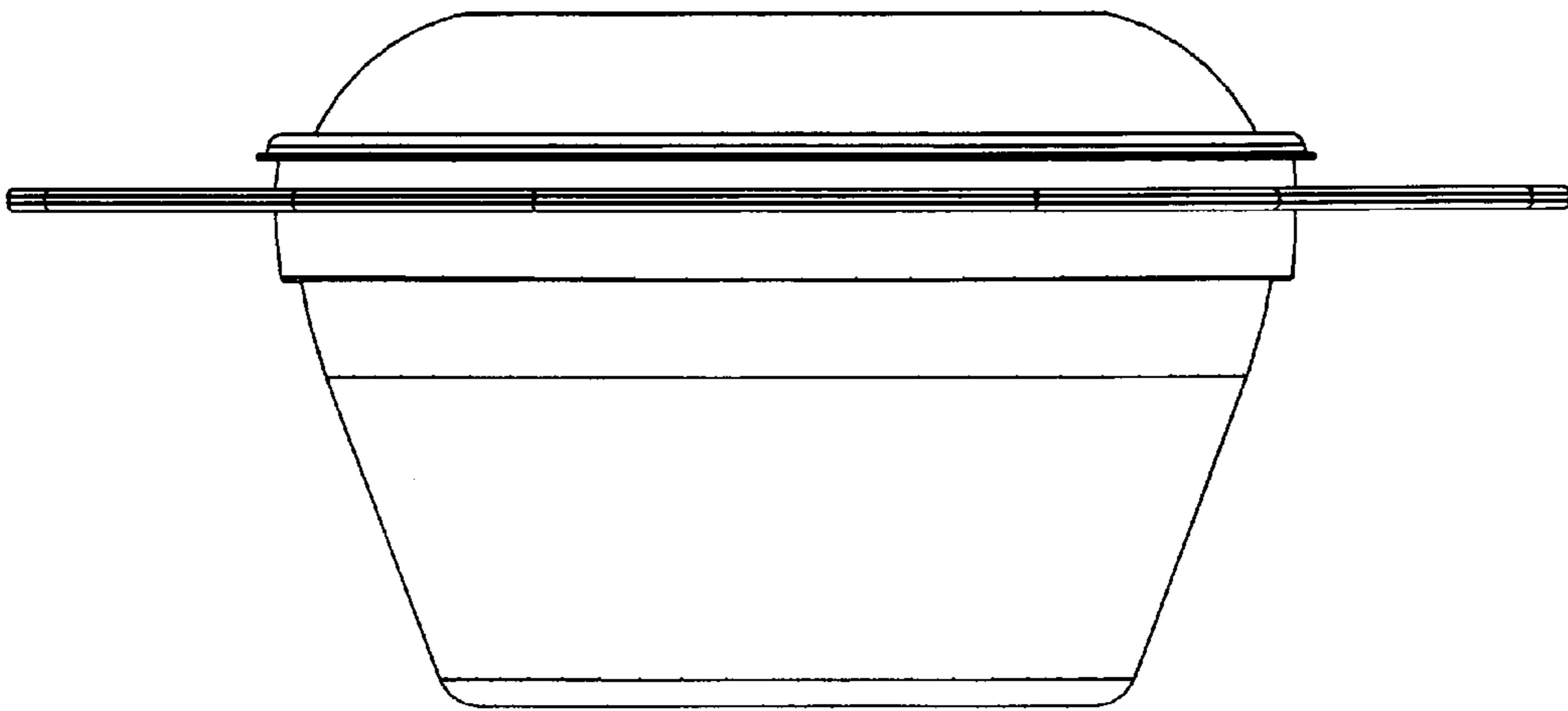


FIG. 8

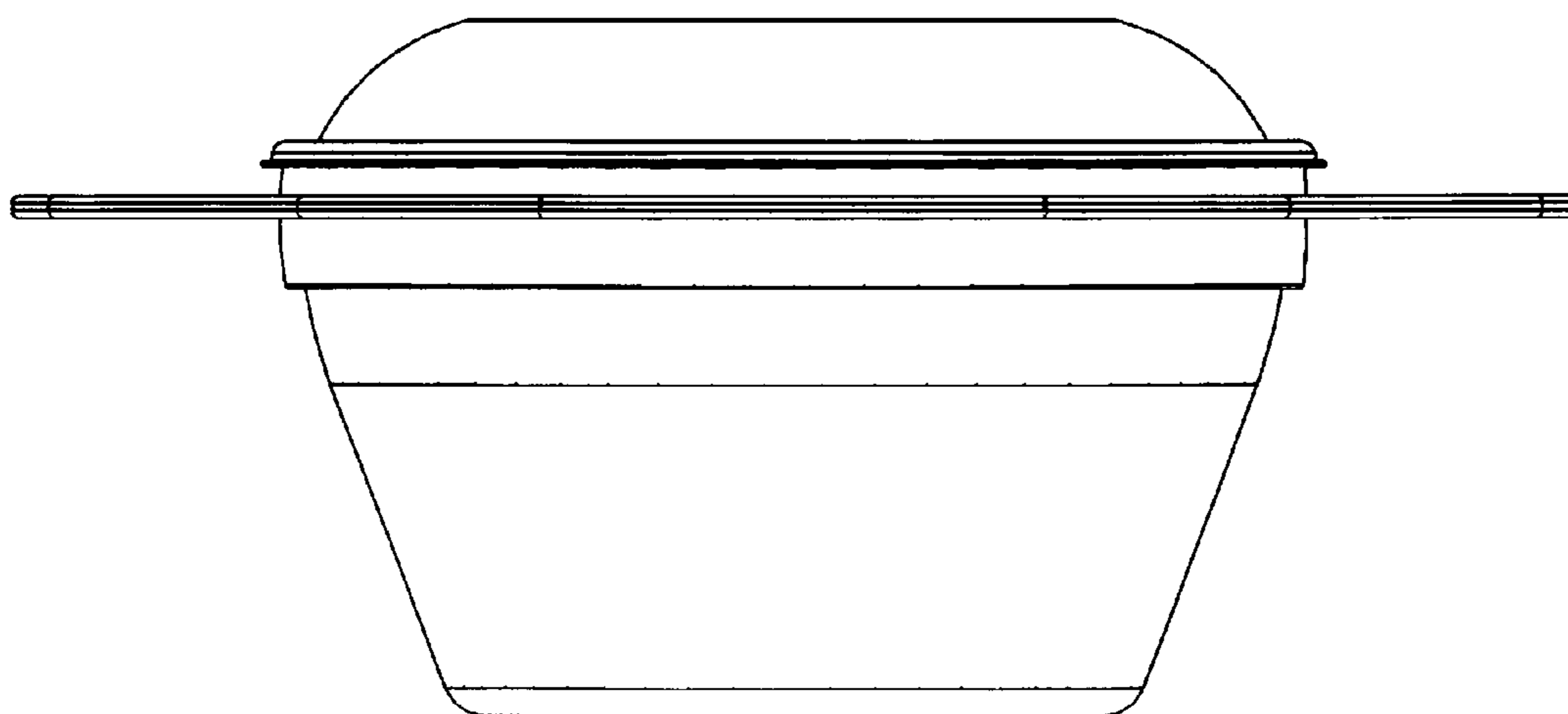


FIG. 9

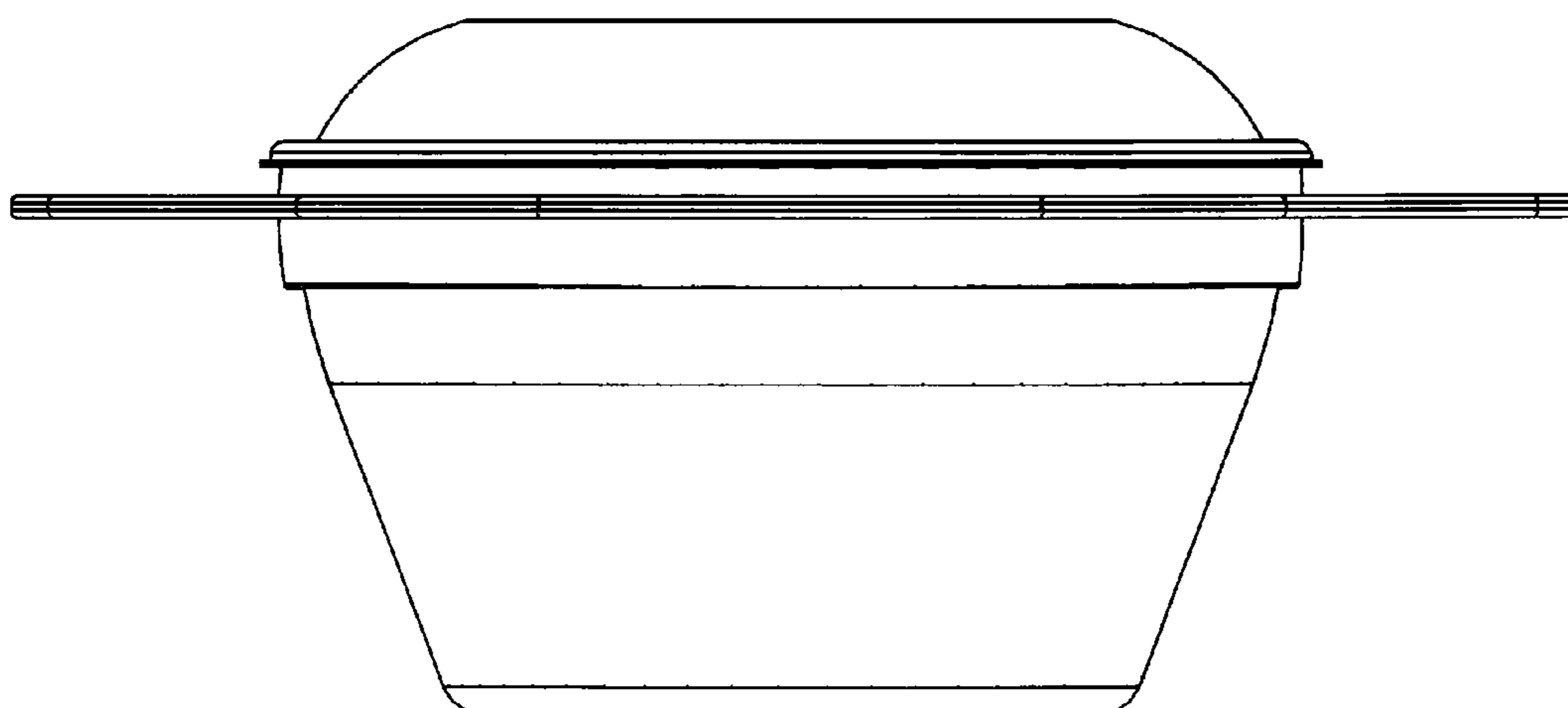


FIG. 10

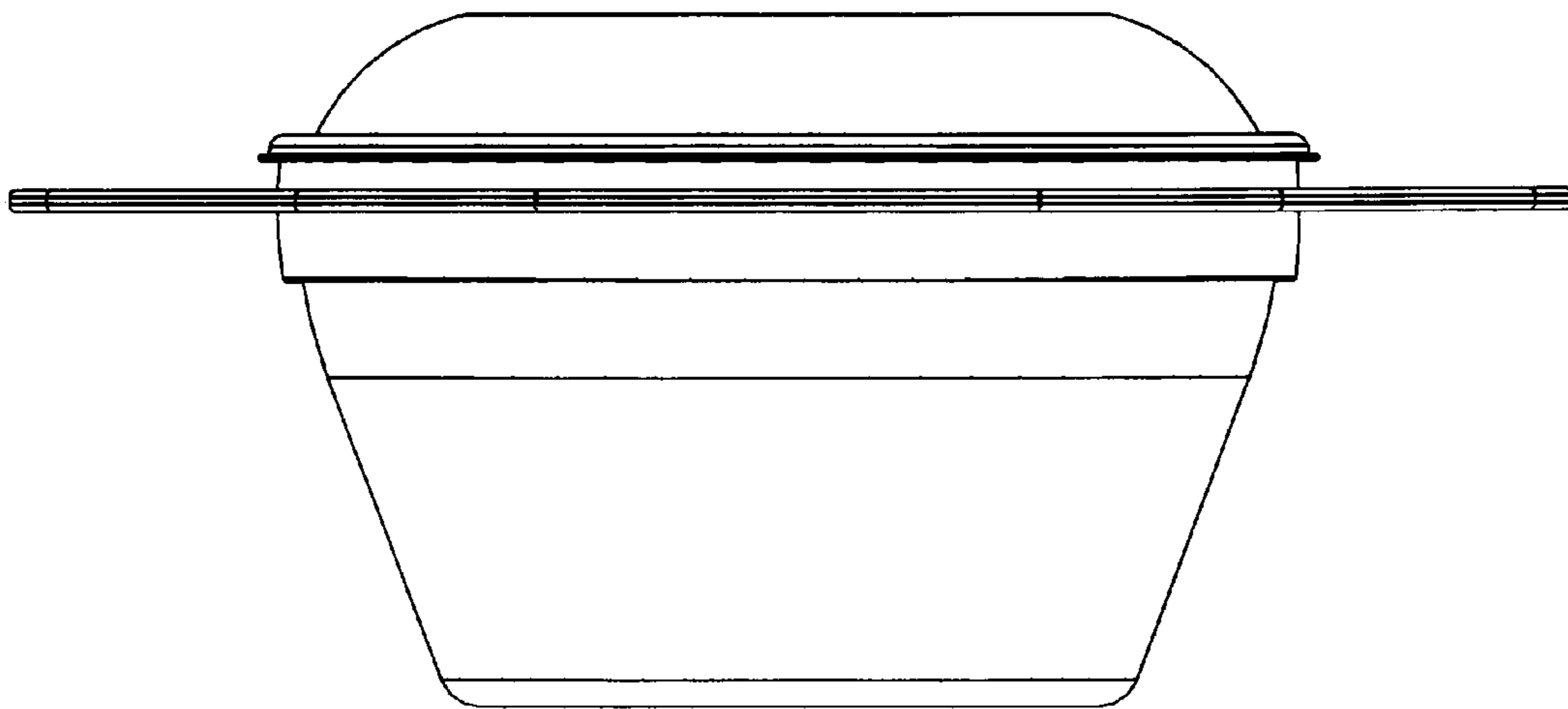


FIG. 11

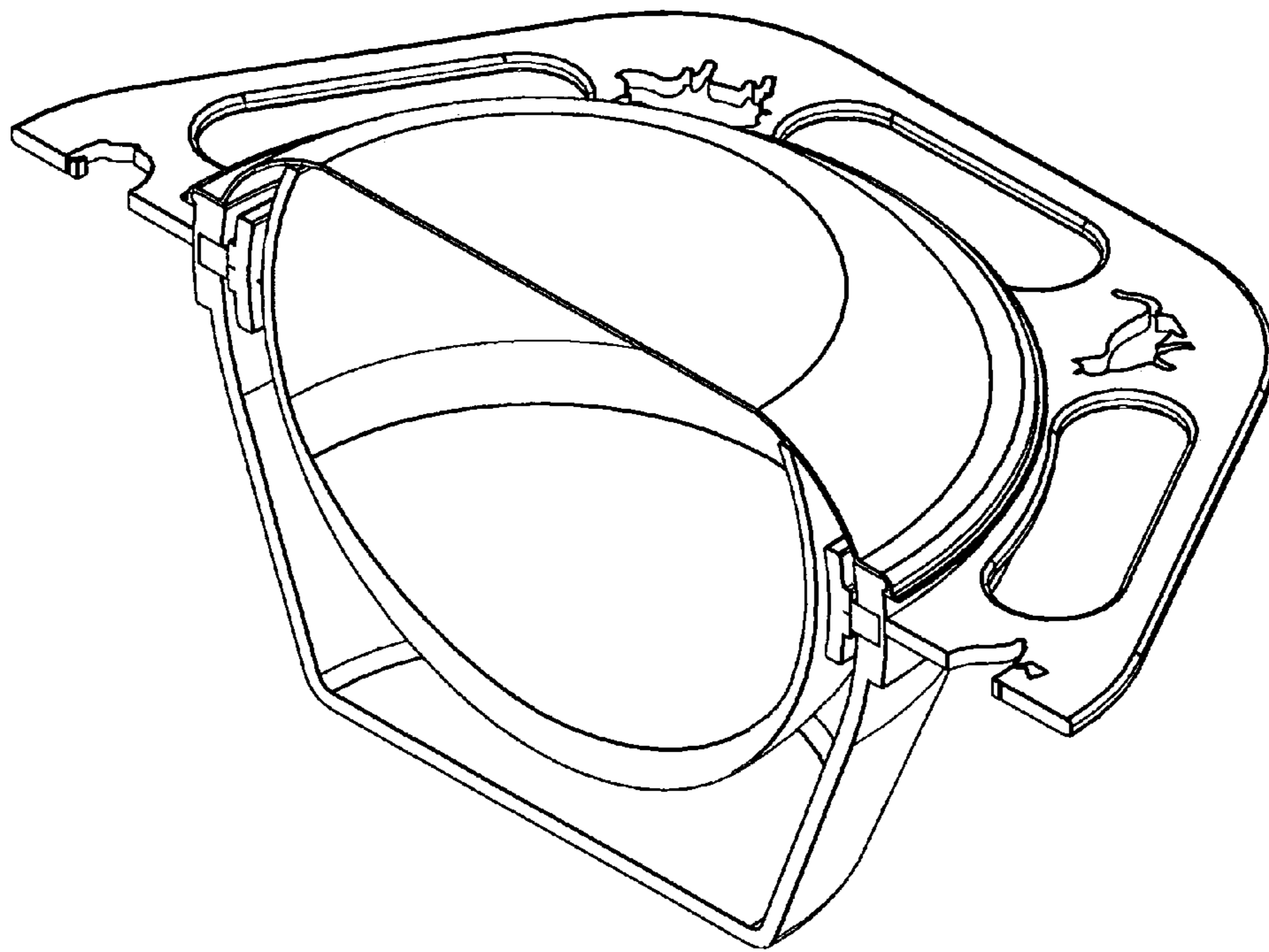


FIG. 12

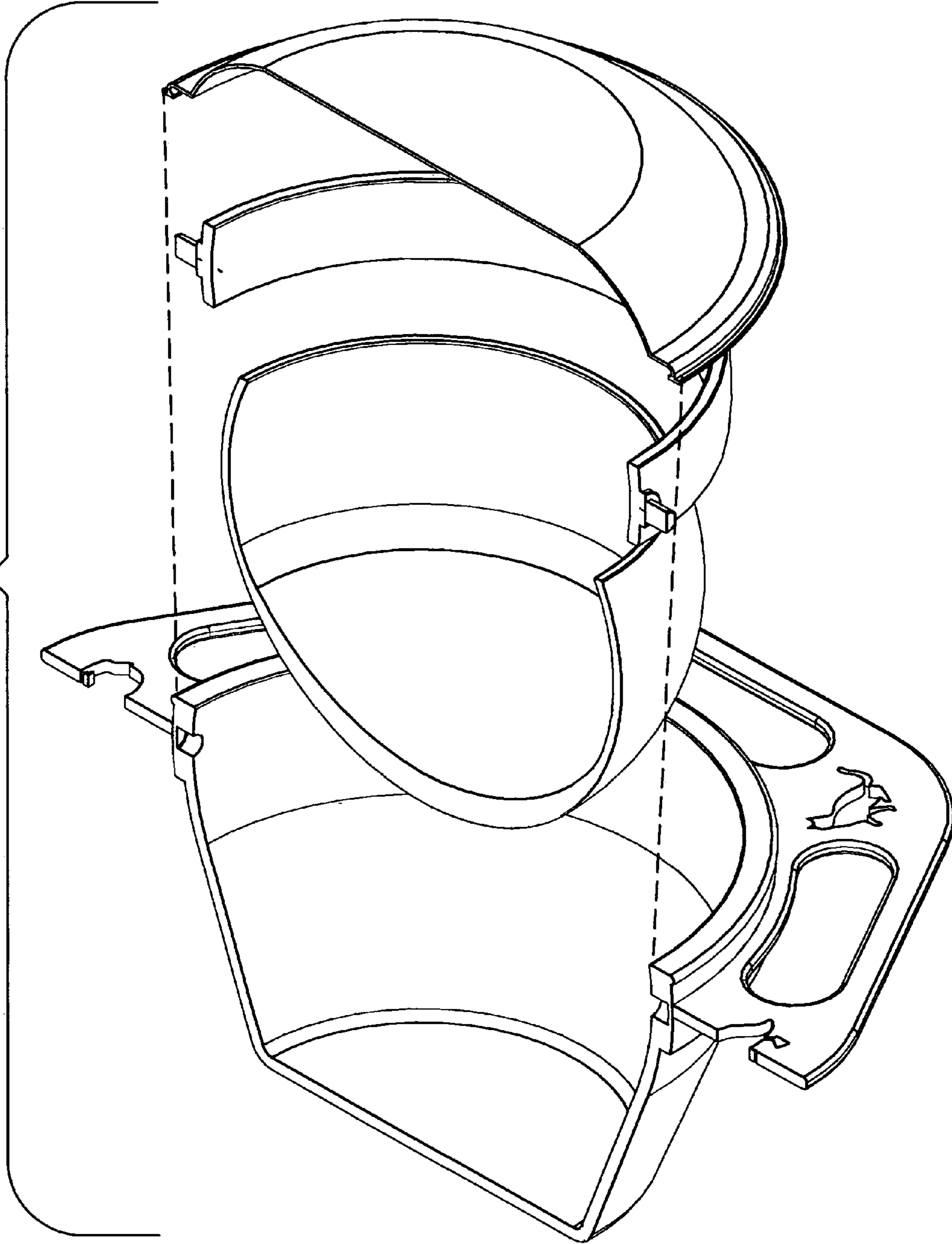


FIG. 13

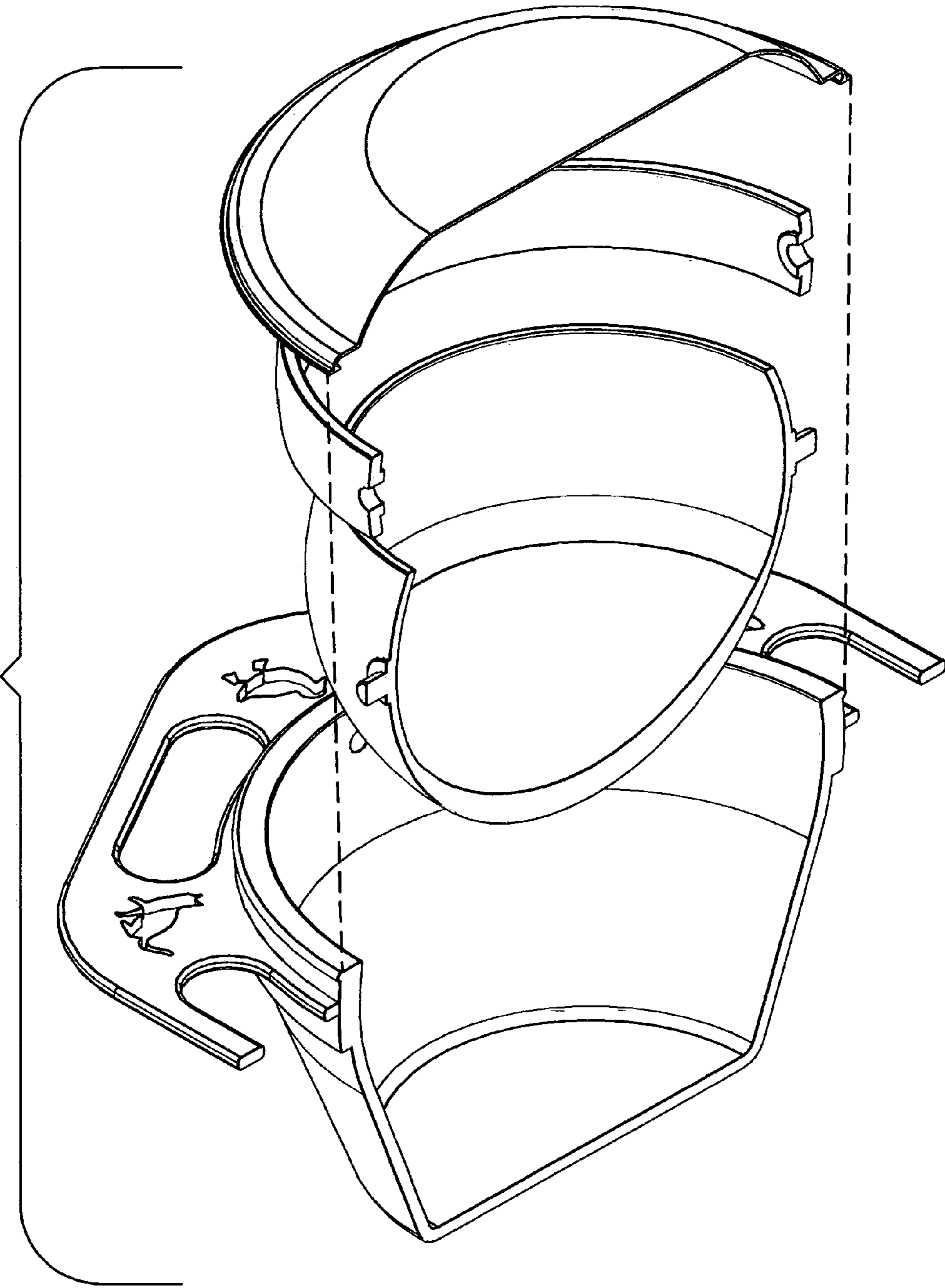


FIG. 14