



US00D679949S

(12) **United States Design Patent**  
**Meritt**

(10) **Patent No.:** **US D679,949 S**

(45) **Date of Patent:** **\*\* Apr. 16, 2013**

(54) **CUP**

(76) **Inventor:** **Kenneth N. Meritt**, Denver, CO (US)

(\*\*) **Term:** **14 Years**

(21) **Appl. No.:** **29/408,710**

(22) **Filed:** **Dec. 15, 2011**

(51) **LOC (9) Cl.** ..... **07-01**

(52) **U.S. Cl.**  
USPC ..... **D7/536; D7/507**

(58) **Field of Classification Search** ..... D7/536,  
D7/533, 514, 515, 622, 509, 507; 220/713,  
220/715, 737

See application file for complete search history.

(56) **References Cited**

**U.S. PATENT DOCUMENTS**

D253,214 S *	10/1979	Wilson	.....	D7/535
D258,795 S *	4/1981	Zamorski	.....	D7/536
D294,100 S *	2/1988	Ross	.....	D7/511
D314,308 S *	2/1991	Cogswell	.....	D7/507
5,029,720 A *	7/1991	Bridges	.....	220/737
D319,755 S *	9/1991	Guy	.....	D7/536
D334,869 S *	4/1993	Mills	.....	D7/605
D350,457 S *	9/1994	Bailey	.....	D7/622
5,400,907 A *	3/1995	Chen	.....	206/459.1
D363,001 S *	10/1995	Scholfield	.....	D7/536
D368,830 S *	4/1996	Lu	.....	D7/536
D401,808 S *	12/1998	Grivsky	.....	D7/536
D405,317 S *	2/1999	Ehrlich	.....	D7/515
D416,444 S *	11/1999	Jørgensen	.....	D7/536
D465,132 S *	11/2002	Janky et al.	.....	D7/510
D497,079 S *	10/2004	Paggio	.....	D7/507

D530,852 S *	10/2006	Zheng	.....	D27/148
D565,900 S *	4/2008	Franco	.....	D7/507
D608,133 S *	1/2010	Choi	.....	D7/319
D639,608 S *	6/2011	Tohm, Sr.	.....	D7/536
D656,361 S *	3/2012	Gilbert	.....	D7/536

**OTHER PUBLICATIONS**

“Vintage Massimo Vignelli Heller Maxmug Hellerware Stackable Cups Mugs,” First produced 1964 by Massimo Vigne, printed from ebay at [http://www.ebay.com/itm/VINTAGE-MASSIMO-VIGNELLI-HELLER-MAXMUG-HELLERWARE-STACKABLE-CUPS-MUGS-/150786608384?pt=LH\\_DefaultDomain\\_0&hash=item231b950d00](http://www.ebay.com/itm/VINTAGE-MASSIMO-VIGNELLI-HELLER-MAXMUG-HELLERWARE-STACKABLE-CUPS-MUGS-/150786608384?pt=LH_DefaultDomain_0&hash=item231b950d00).

\* cited by examiner

*Primary Examiner* — Marianne Pandozzi

(74) *Attorney, Agent, or Firm* — Sheridan Ross P.C.

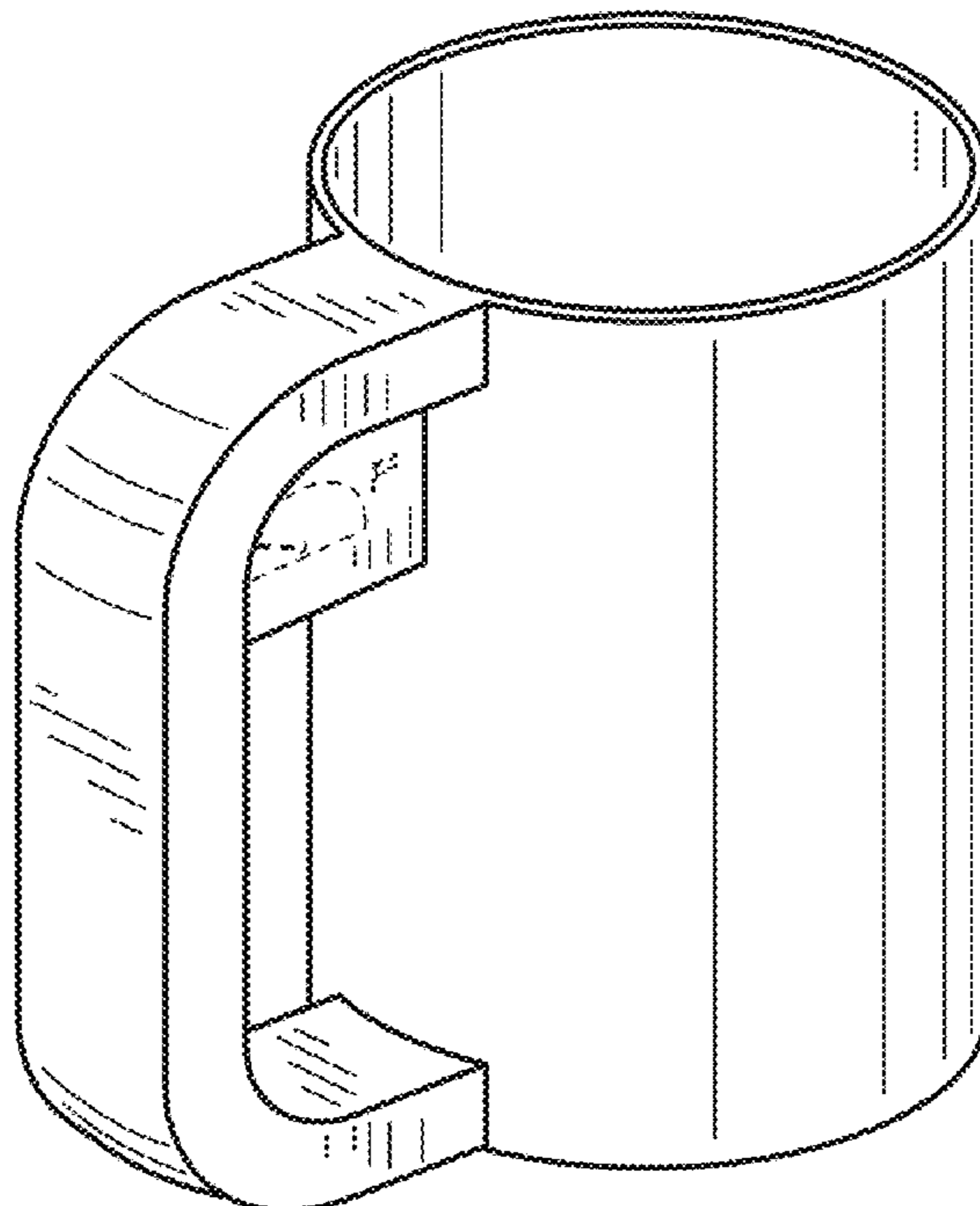
(57) **CLAIM**

The ornamental design for a cup, as shown and described.

**DESCRIPTION**

FIG. 1 is a perspective view of the cup; FIG. 2 is a front elevation view thereof; FIG. 3 is a right elevation view thereof; FIG. 4 is a rear elevation view thereof; FIG. 5 is a left elevation view thereof; FIG. 6 is a top plan view thereof; and, FIG. 7 is a bottom plan view thereof. The broken lines in the drawings are included for the purpose of illustration and form no part of the claimed design.

**1 Claim, 2 Drawing Sheets**



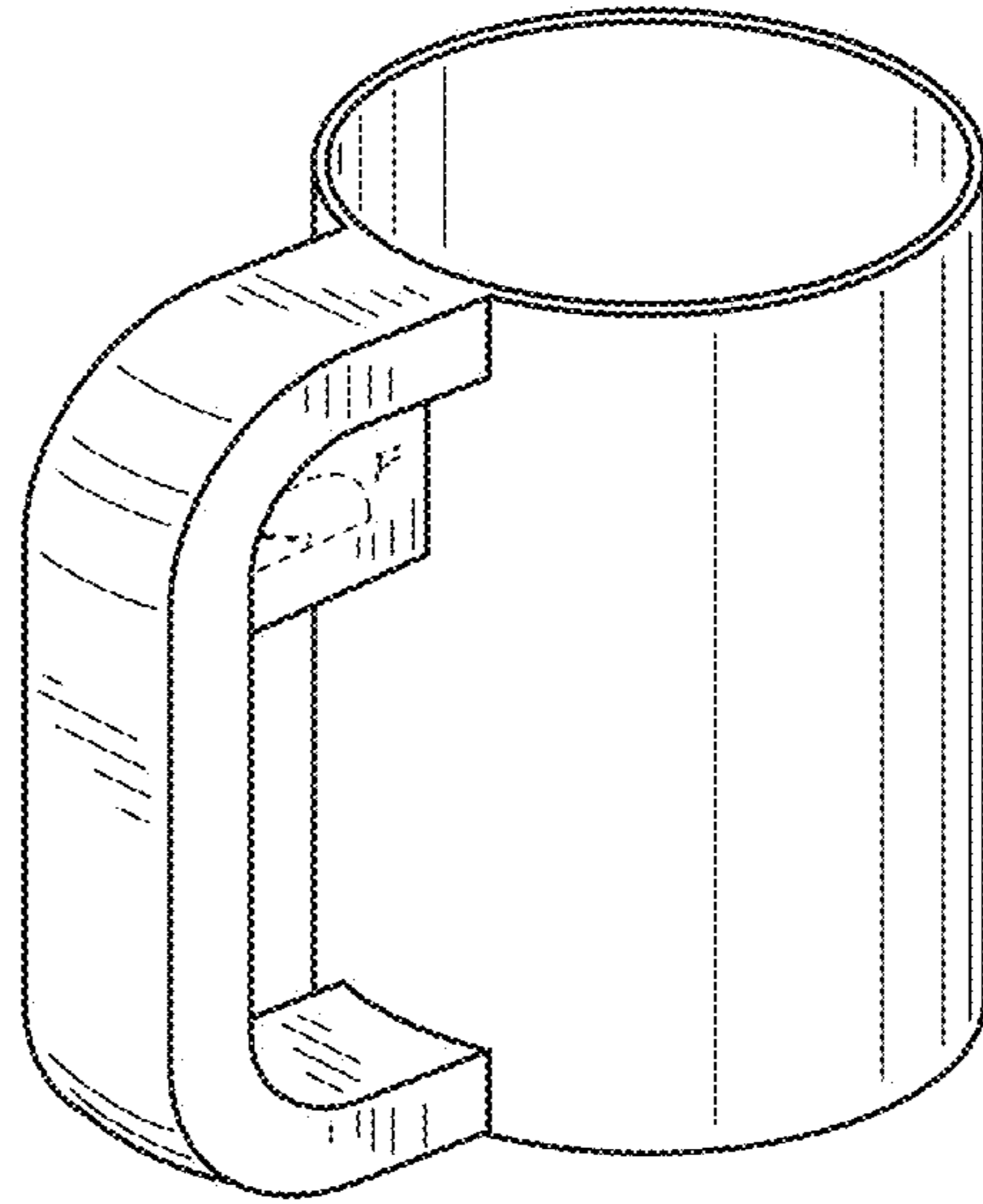


FIG. 1

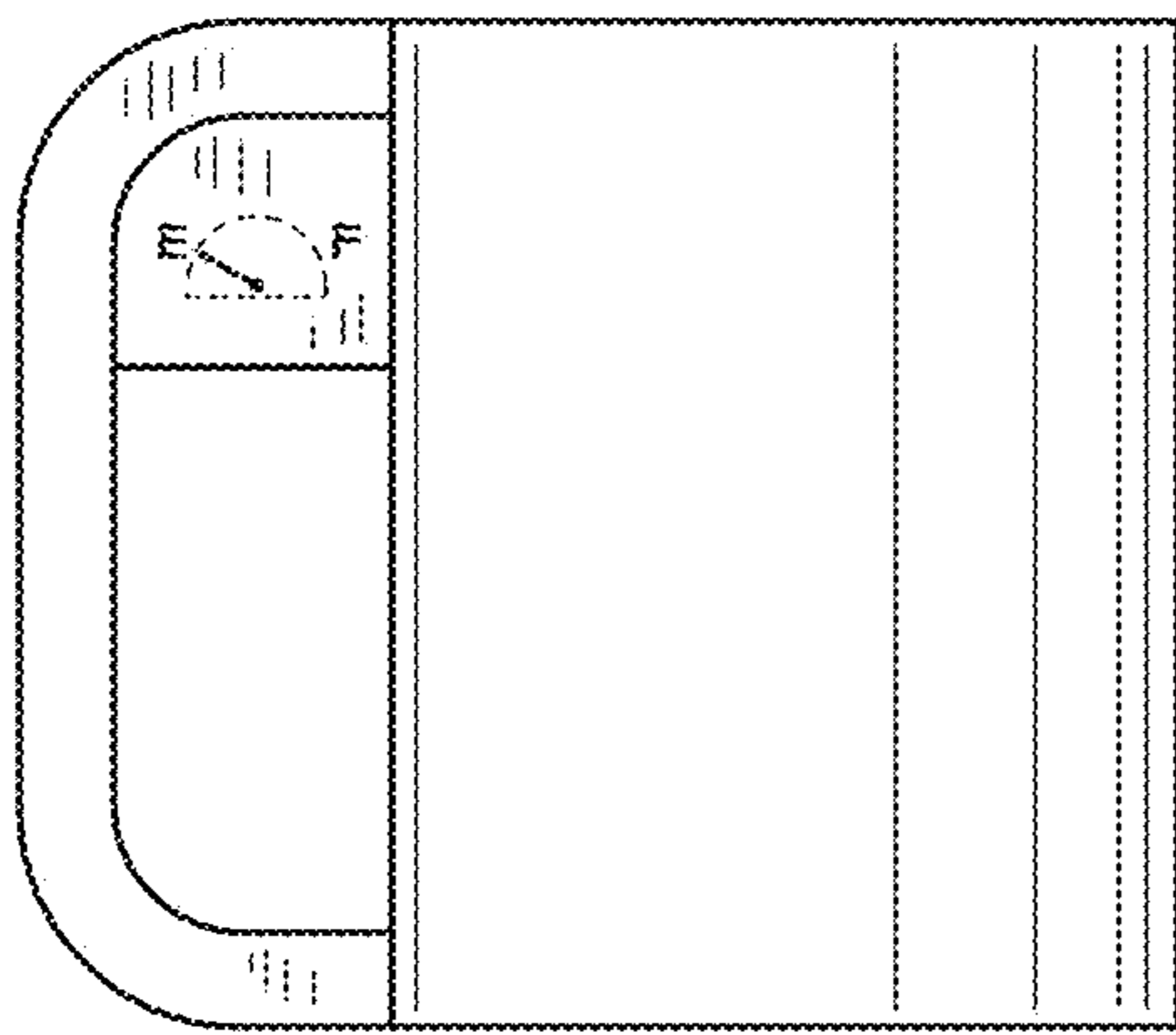


FIG. 2

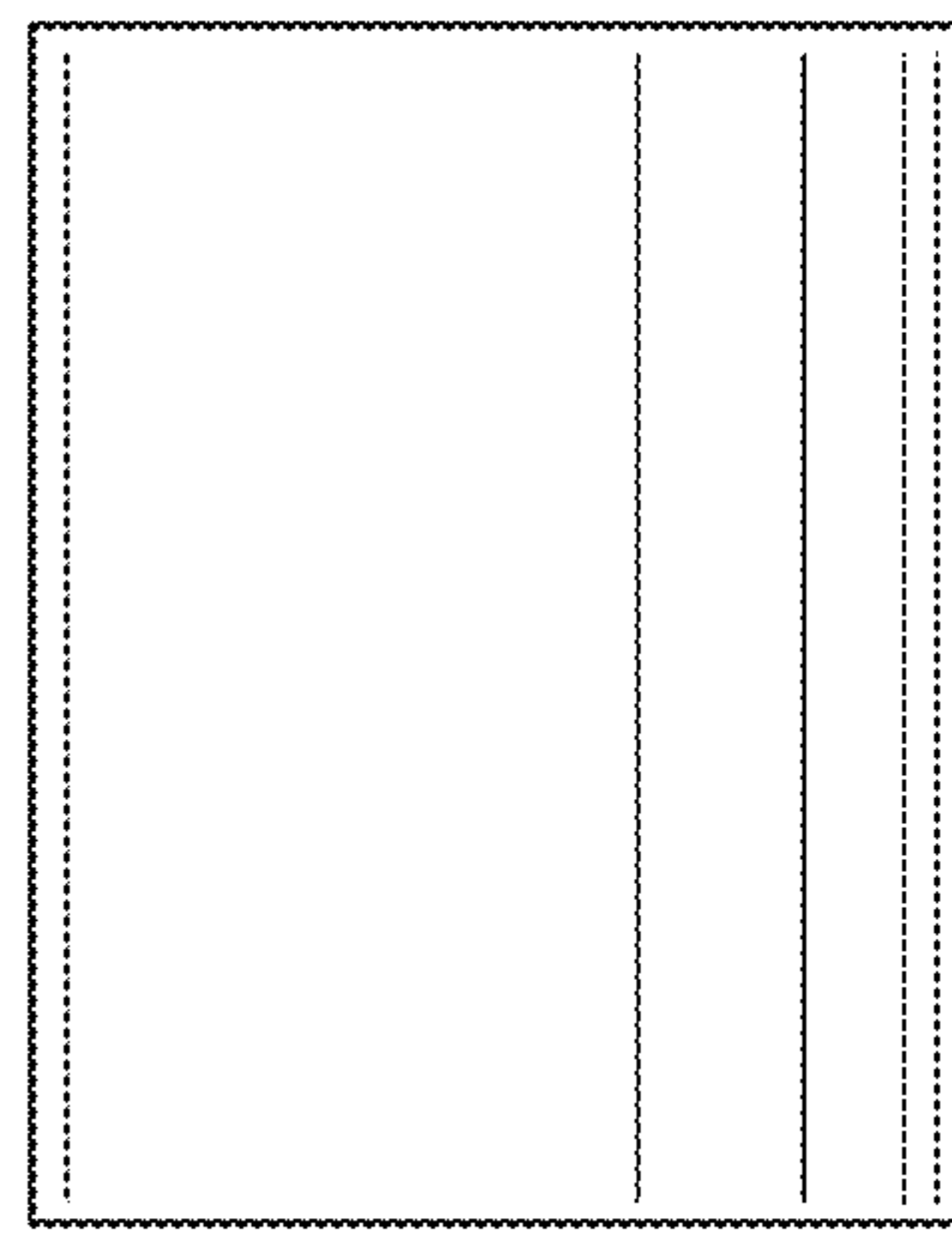


FIG. 3

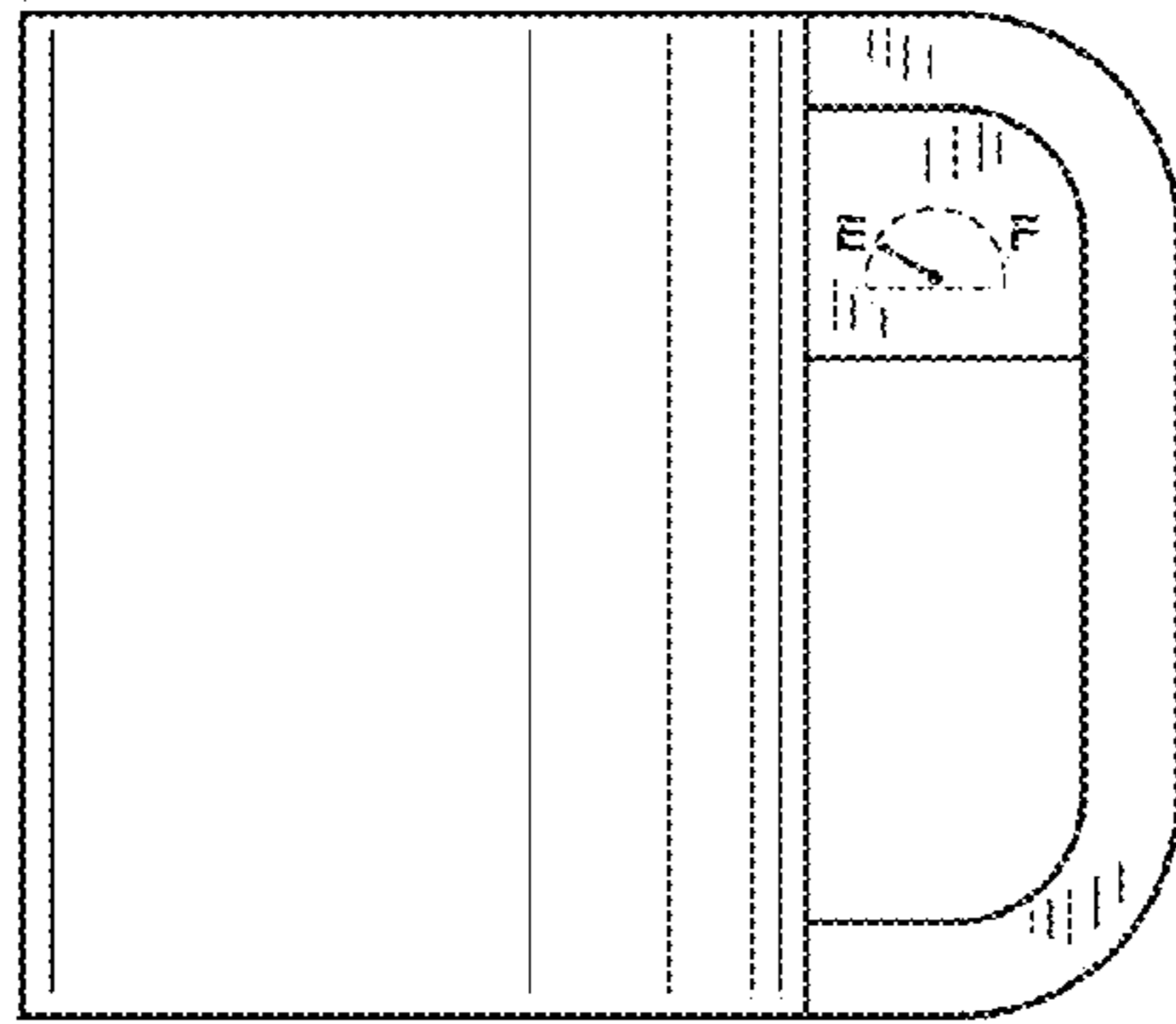


FIG. 4

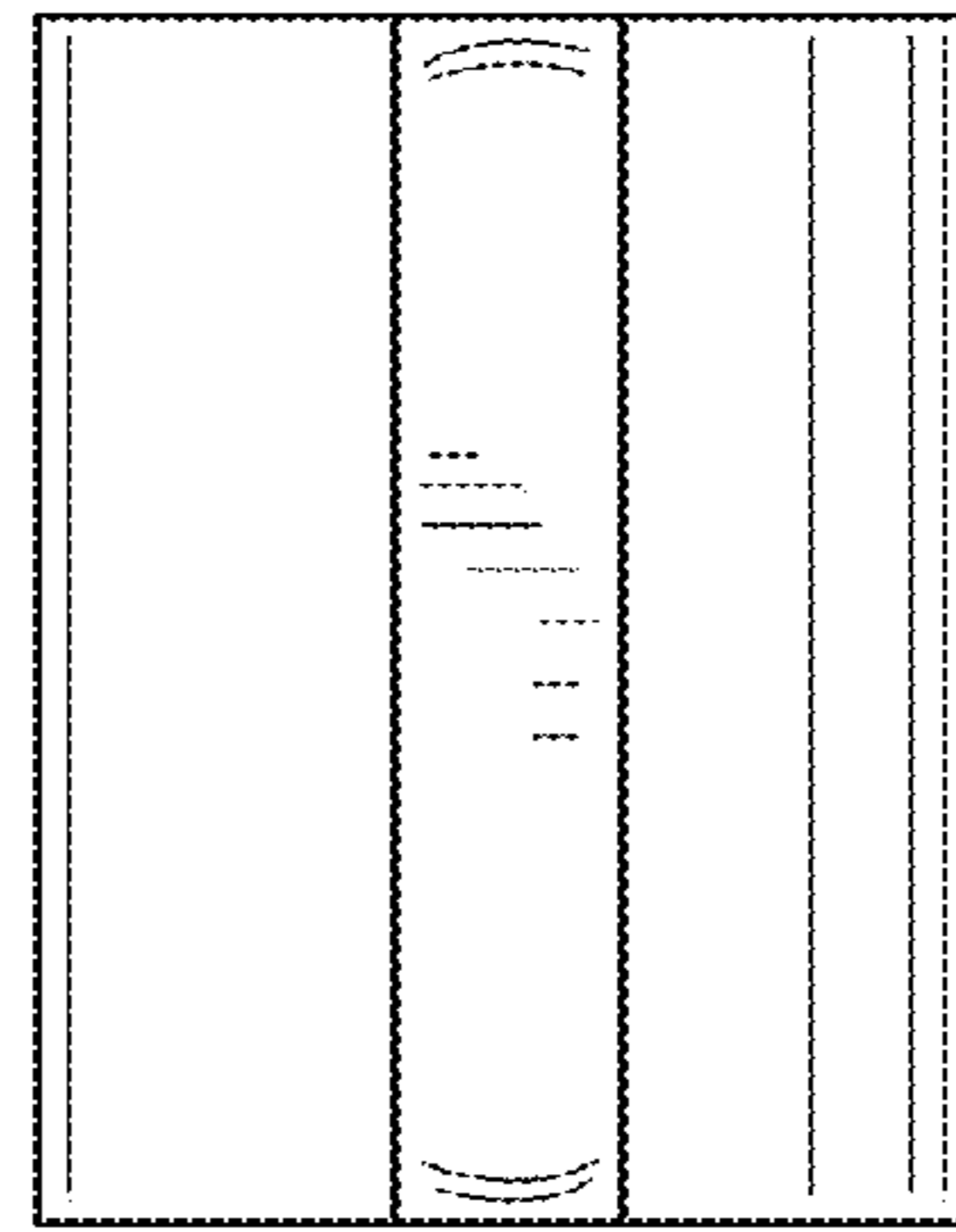


FIG. 5

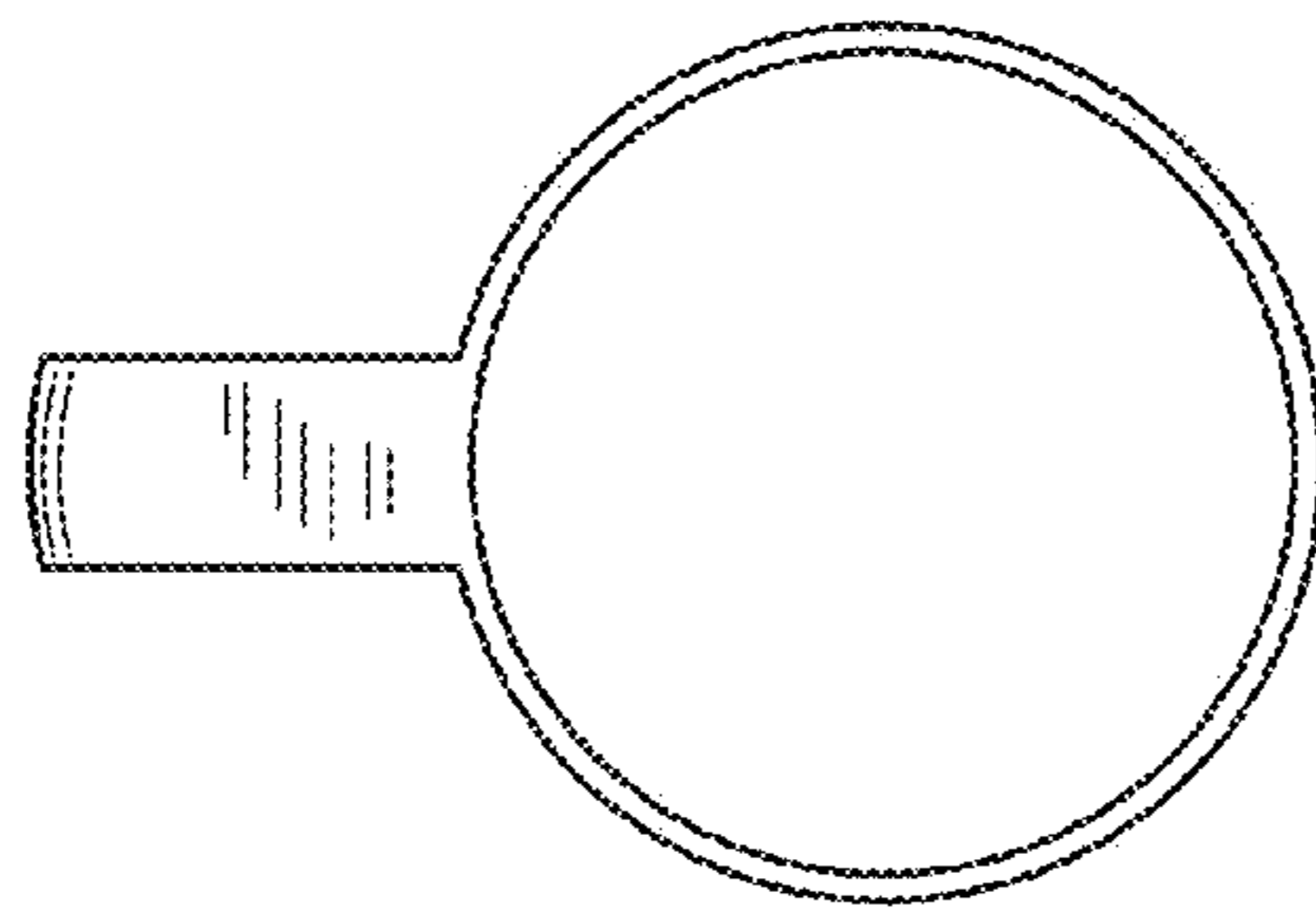


FIG. 6

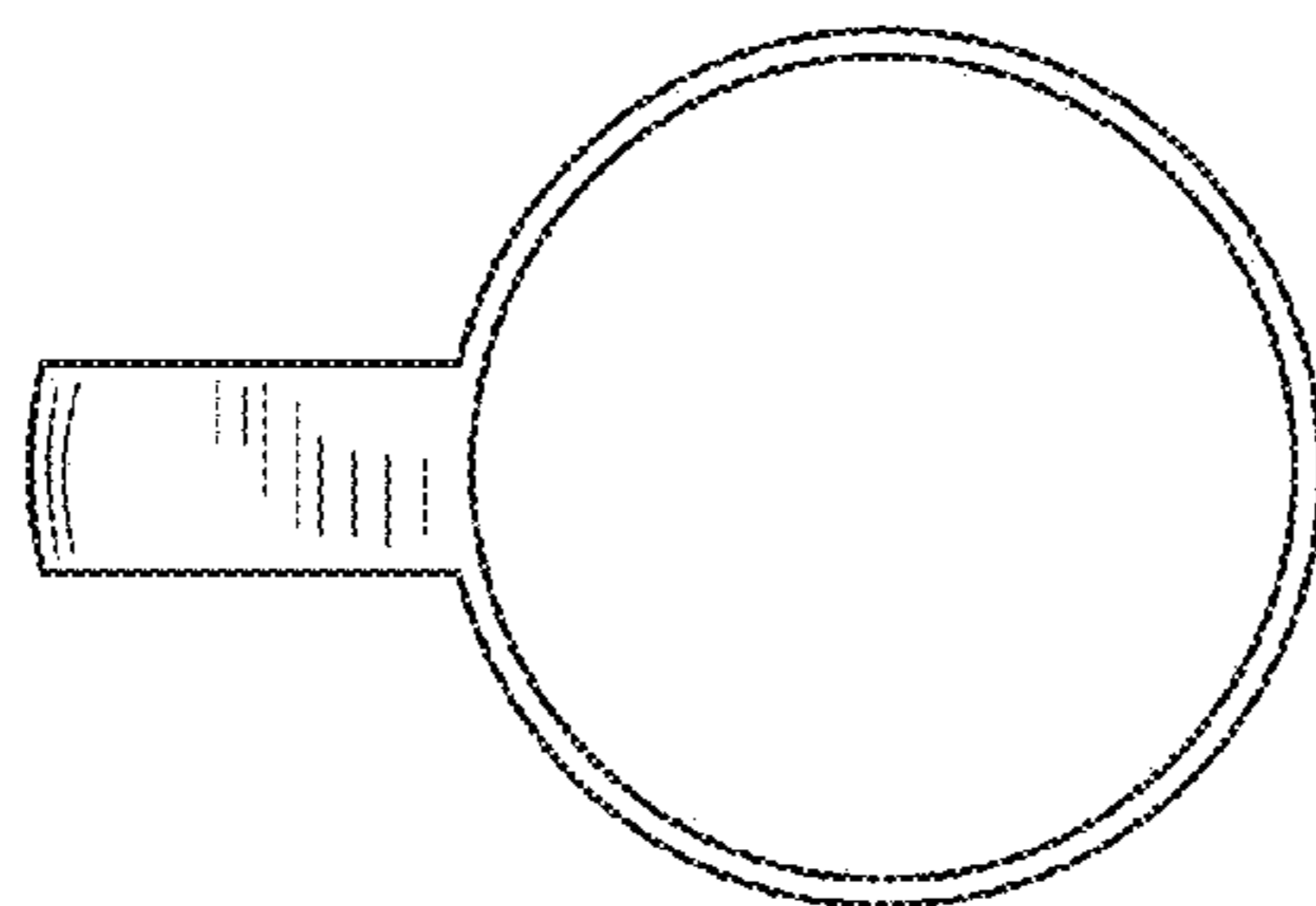


FIG. 7