



US00D679948S

(12) **United States Design Patent**
Meyer et al.

(10) **Patent No.:** **US D679,948 S**
(45) **Date of Patent:** **** Apr. 16, 2013**

(54) **BEVERAGE CONTAINER**

(71) Applicants: **Birgit Meyer**, Ganderkesee (DE);
Andrej Walger, Zeven (DE); **Eckhard Itzek**, Nartum (DE)

(72) Inventors: **Birgit Meyer**, Ganderkesee (DE);
Andrej Walger, Zeven (DE); **Eckhard Itzek**, Nartum (DE)

(73) Assignee: **MAPA GmbH**, Zeven (DE)

(**) Term: **14 Years**

(21) Appl. No.: **29/432,651**

(22) Filed: **Sep. 18, 2012**

Related U.S. Application Data

(62) Division of application No. 29/387,644, filed on Mar. 16, 2011.

(30) **Foreign Application Priority Data**

Sep. 16, 2010 (EM) 001756008-0001
Sep. 16, 2010 (EM) 001756008-0005

(51) **LOC (9) Cl.** **07-01**

(52) **U.S. Cl.**
USPC **D7/534**; D7/510; D7/511; D24/197

(58) **Field of Classification Search** D7/534,
D7/510, 511, 524, 523; D24/197; 215/11.1,
215/11.6, 386; 220/710.5

See application file for complete search history.

(56) **References Cited**

U.S. PATENT DOCUMENTS

D233,972 S * 12/1974 Juhlin D7/511
D315,213 S * 3/1991 Ohnuki D24/197
D322,196 S * 12/1991 Ohnuki D7/510
D326,796 S * 6/1992 Kawano D7/510
D346,932 S * 5/1994 Cautereels et al. D7/507
D354,416 S * 1/1995 Cautereels et al. D7/507

D421,878 S * 3/2000 Roehrig D7/510
D425,904 S * 5/2000 Frye et al. D14/247
D425,994 S * 5/2000 Hakim D24/197
6,230,923 B1 * 5/2001 Hung 220/703
D448,244 S * 9/2001 Thomas D7/510
6,321,931 B1 * 11/2001 Hakim et al. 220/714
D460,322 S * 7/2002 Orr et al. D7/510
D476,849 S * 7/2003 Randolph D7/510
6,880,713 B2 * 4/2005 Holley, Jr. 215/11.4
D559,624 S * 1/2008 Carreno D7/534
D579,722 S * 11/2008 Sakulsacha et al. D7/510
7,556,172 B2 * 7/2009 Lane 220/714
7,562,789 B2 * 7/2009 Randolph et al. 220/710.5
D619,854 S * 7/2010 Koehler et al. D7/607
D626,246 S * 10/2010 Rees et al. D24/197
D642,435 S * 8/2011 Schofield et al. D7/510
D642,866 S * 8/2011 Schofield et al. D7/510
D644,067 S * 8/2011 Valderrama et al. D7/534
D652,248 S * 1/2012 Valderrama et al. D7/392.1
8,256,641 B2 * 9/2012 Randolph et al. 220/710.5
2002/0126851 A1 * 9/2002 Lo et al. 381/61
2007/0163984 A1 * 7/2007 Nguyen et al. 215/11.3

* cited by examiner

Primary Examiner — Marianne Pandozzi

(74) *Attorney, Agent, or Firm* — Vidas, Arrett & Steinkraus, P.A.

(57) **CLAIM**

The ornamental design for a beverage container, as shown and described.

DESCRIPTION

FIG. 1 is a front view of a beverage container showing our new design

FIG. 2 is a left side view thereof;

FIG. 3 is a rear elevational view thereof;

FIG. 4 is a right side view thereof;

FIG. 5 is a top plan view thereof;

FIG. 6 is a bottom plan view thereof;

FIG. 7 is a perspective sectional view taken along line 7-7 of FIG. 5; and,

FIG. 8 is a right front perspective view thereof.

1 Claim, 8 Drawing Sheets

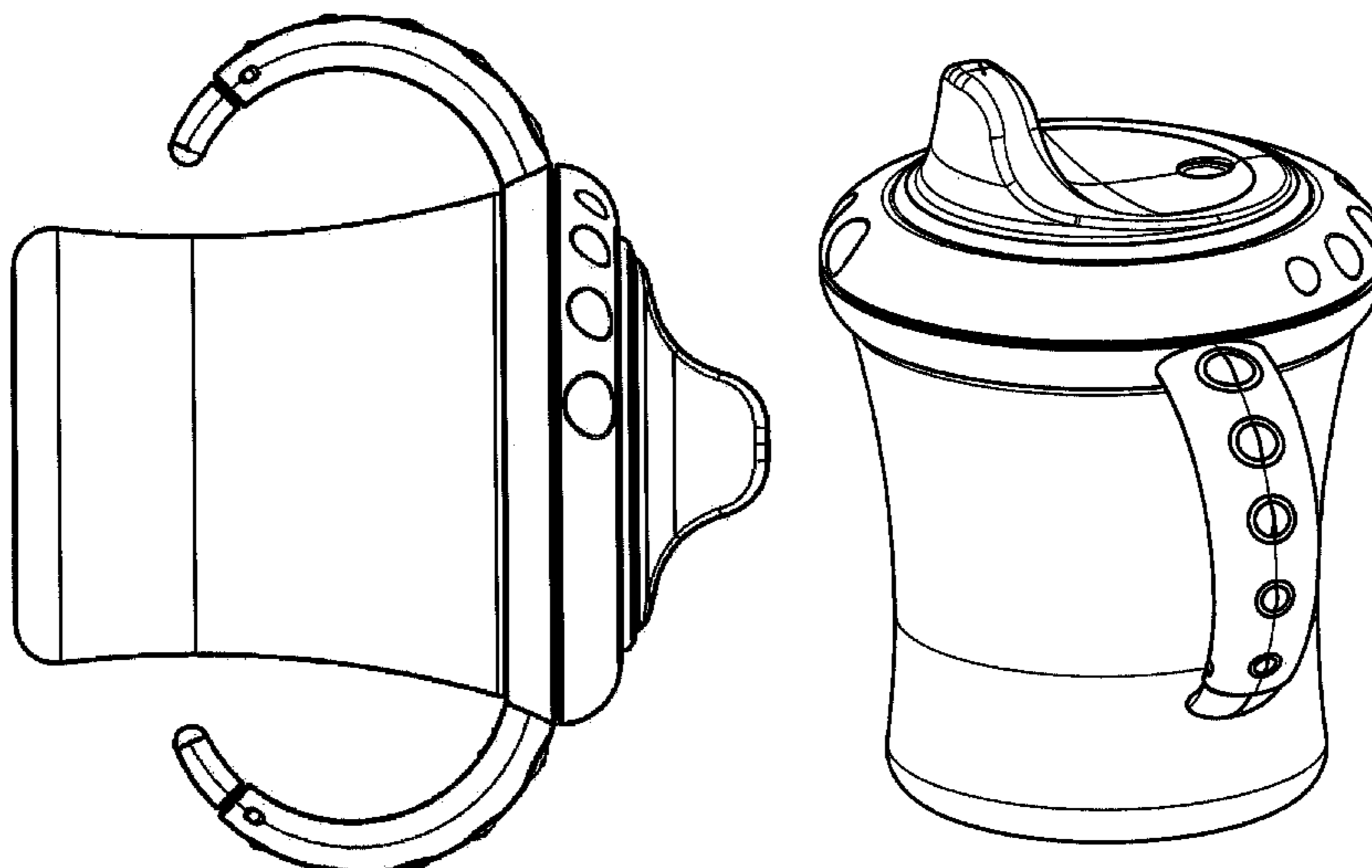


Fig. 1

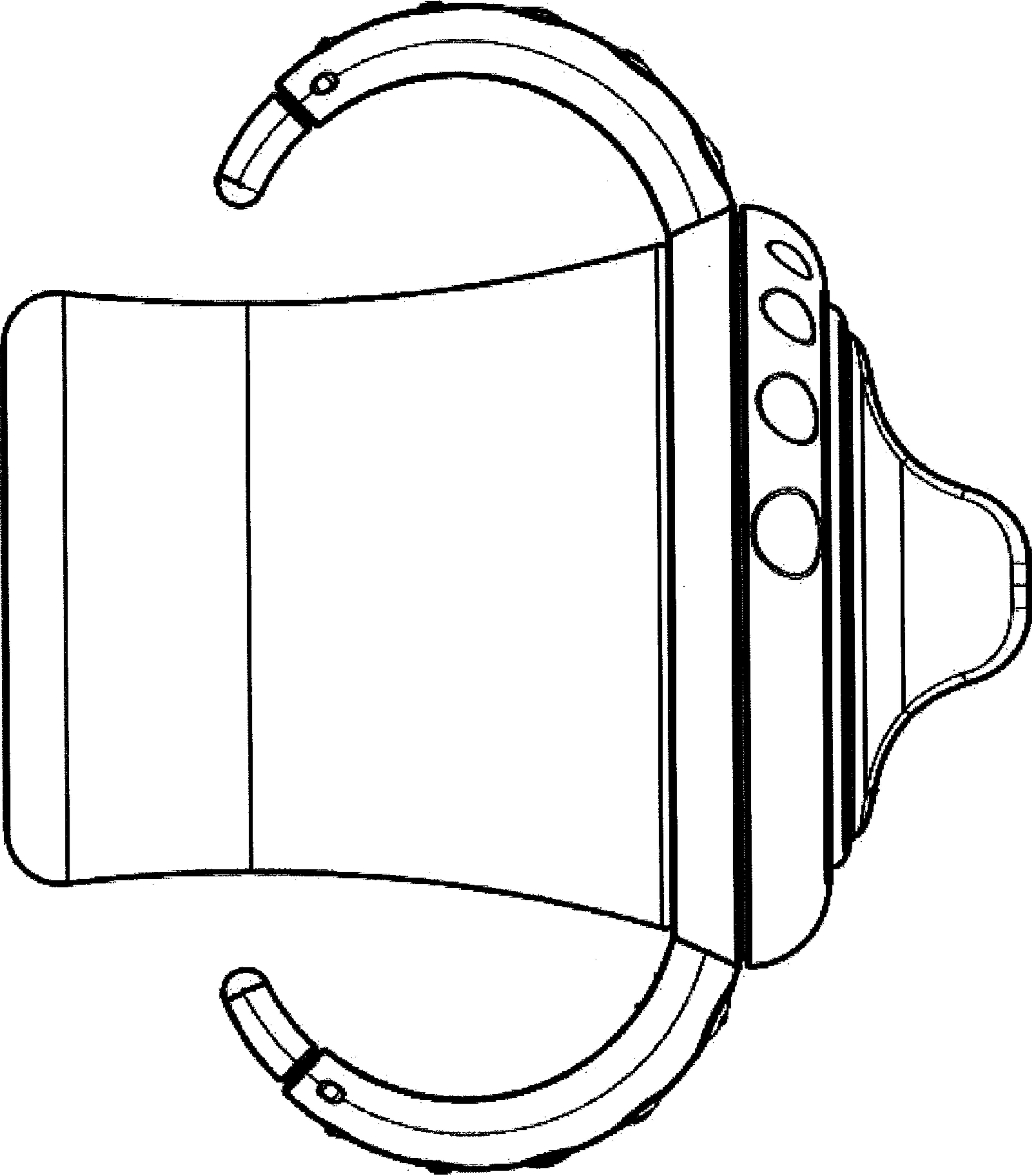


Fig. 2

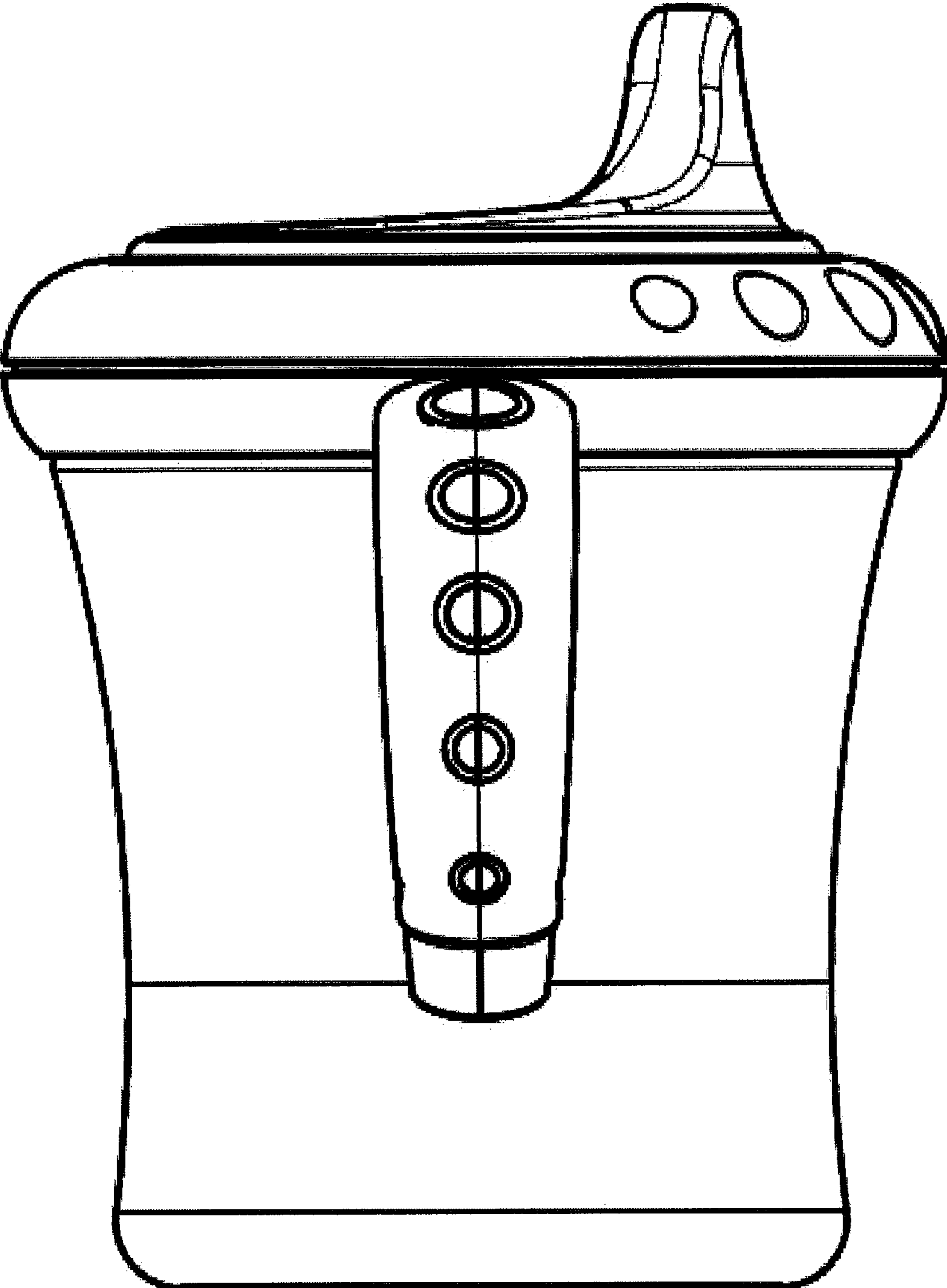


Fig. 3

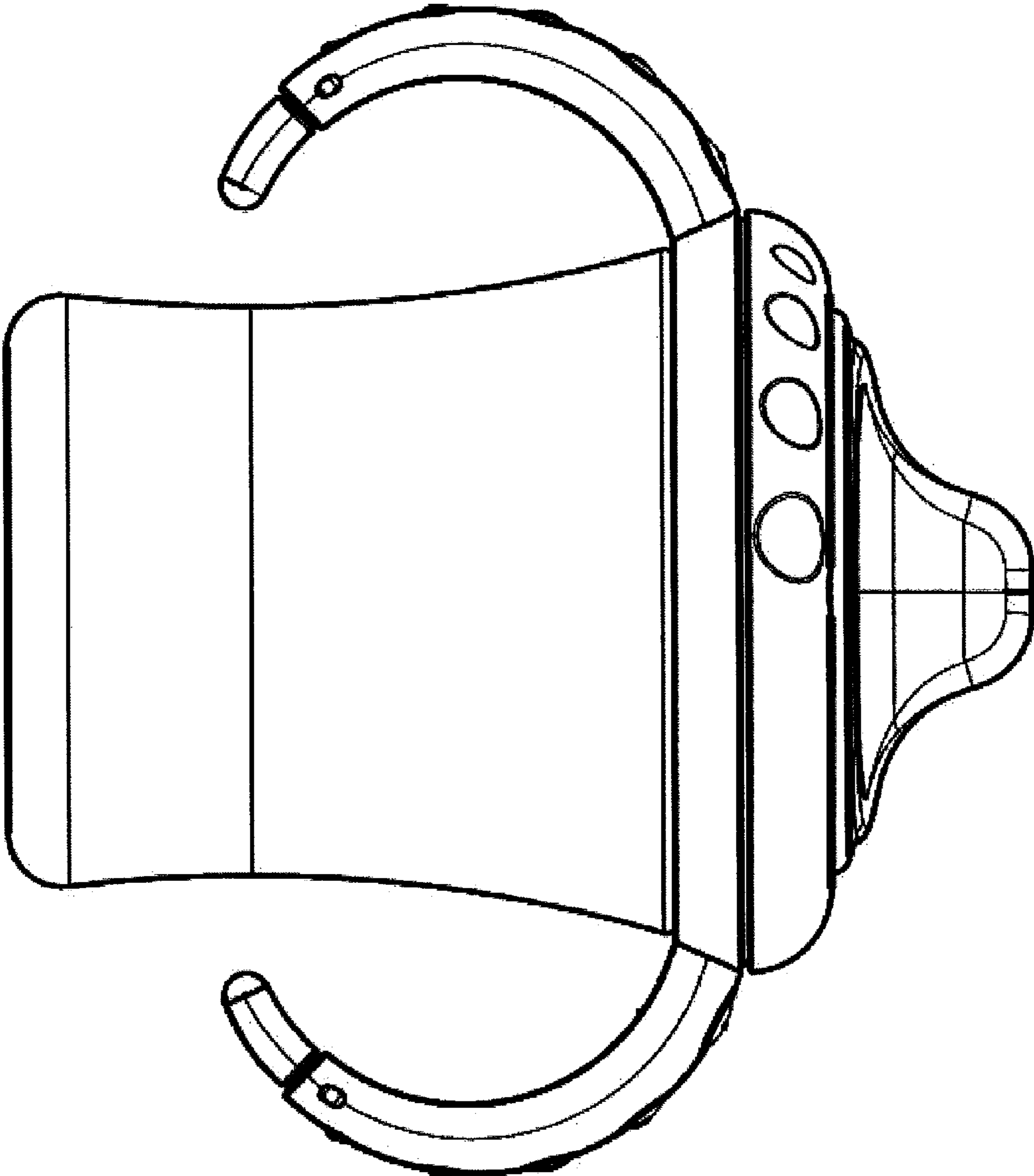


Fig. 4

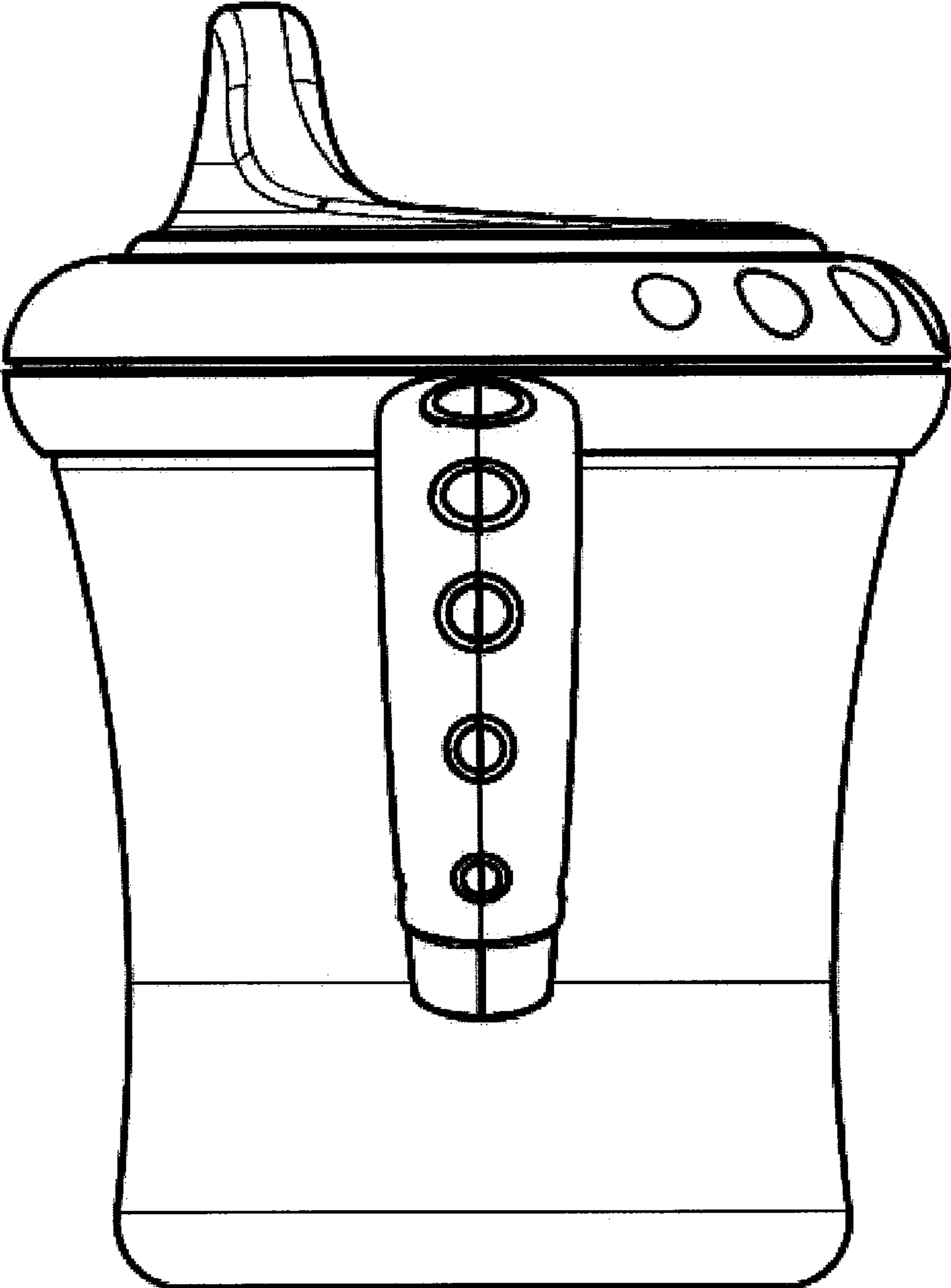


Fig. 5

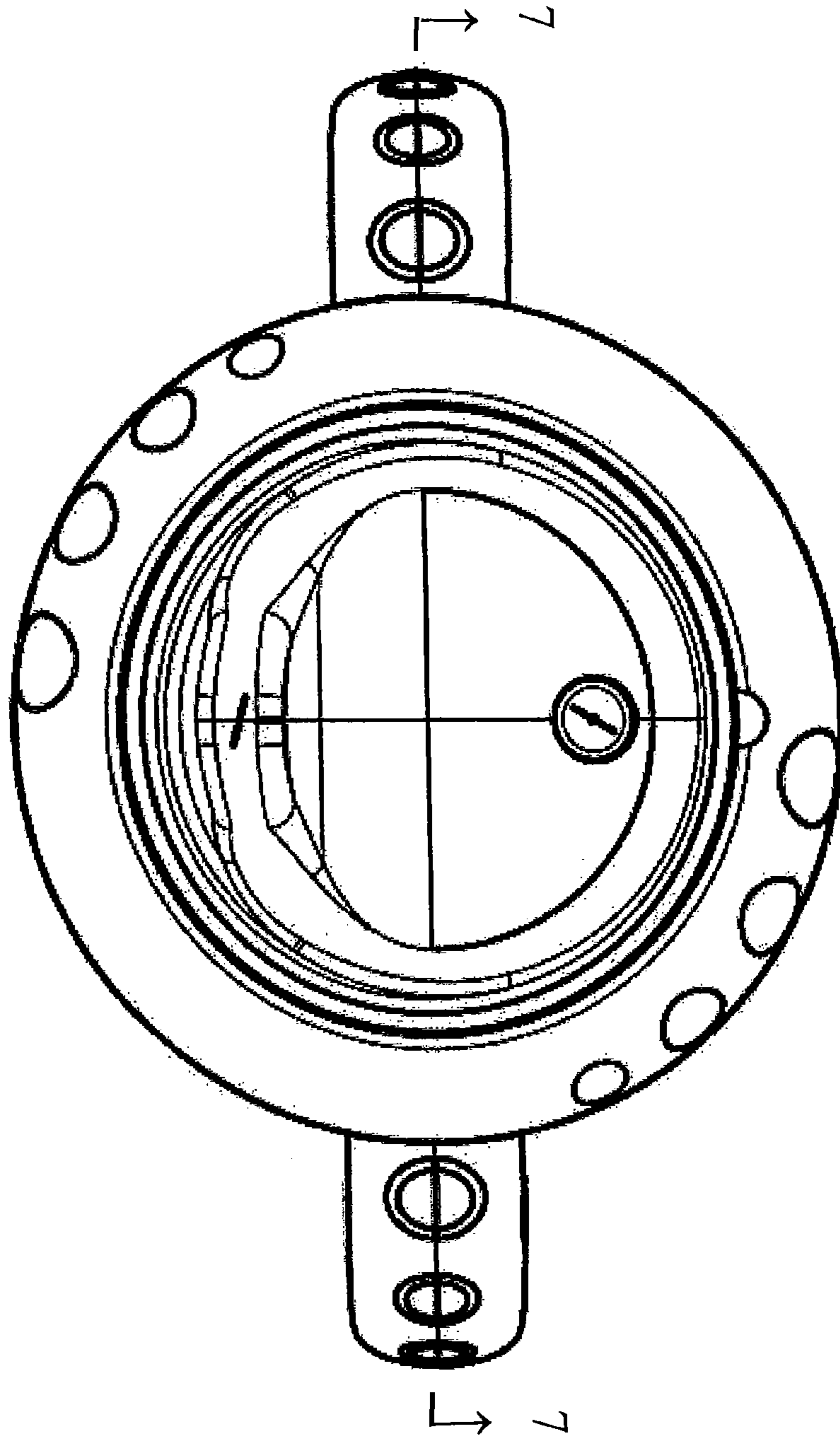


Fig. 6

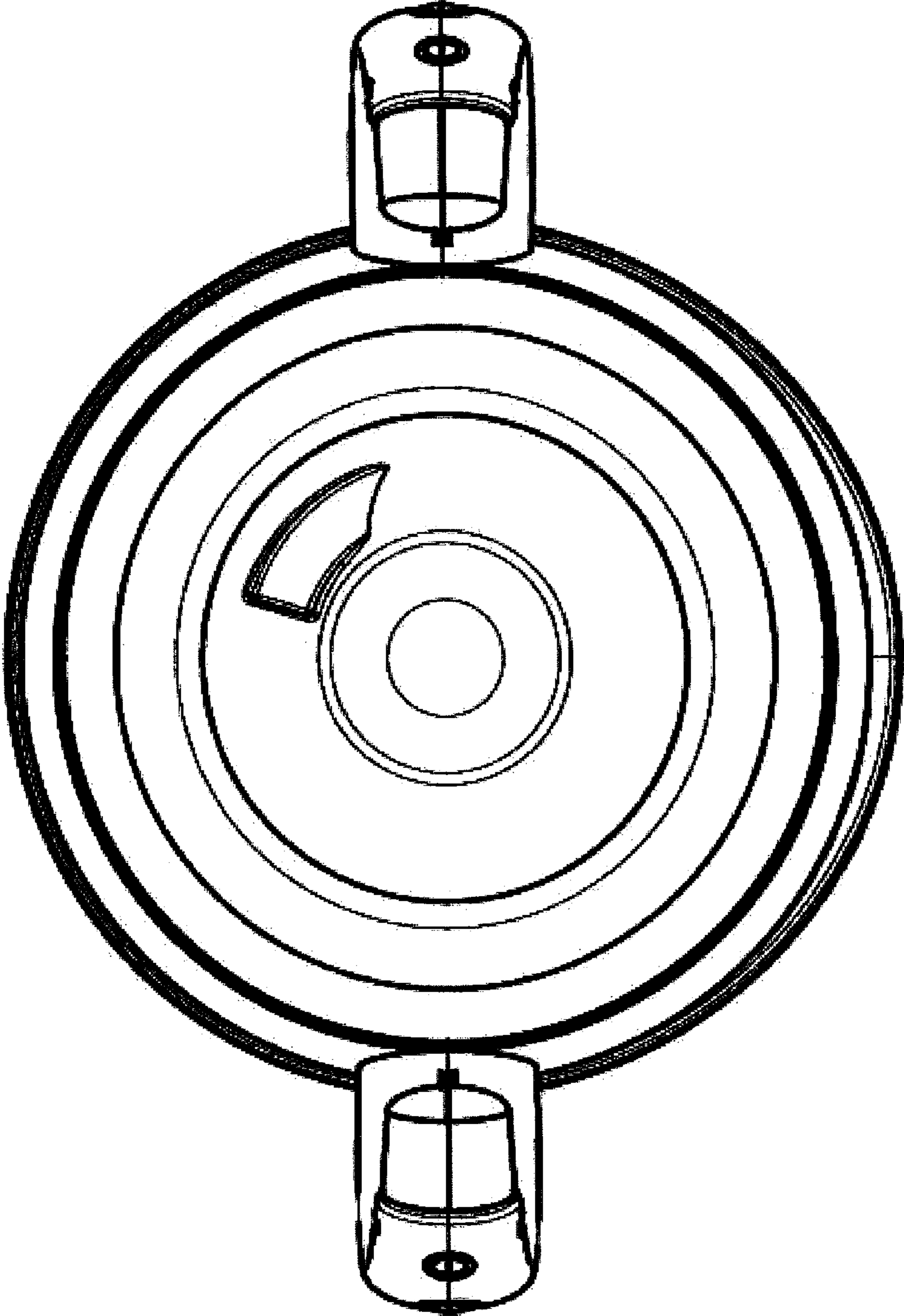


Fig. 7

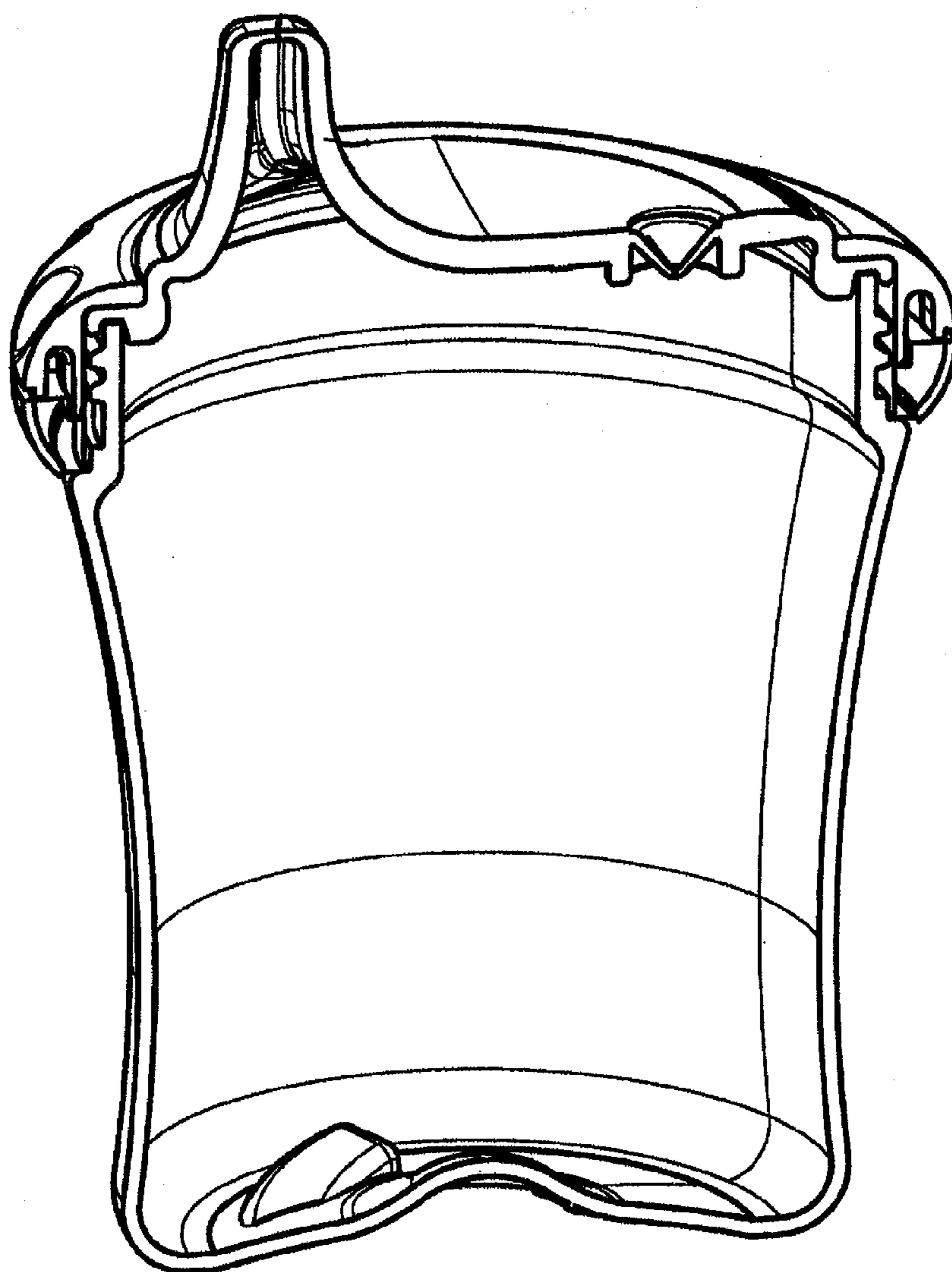


Fig. 8

